



US00D687698S

(12) **United States Design Patent**
Machijima et al.

(10) **Patent No.:** **US D687,698 S**

(45) **Date of Patent:** **** Aug. 13, 2013**

(54) **SENSOR MOUNT ASSEMBLY**

(75) Inventors: **Mitsuru Machijima**, Tsukubamirai (JP);
Kunihiro Suzuki, Tsukubamirai (JP)

(73) Assignee: **SMC Corporation**, Chiyoda-ku, Tokyo
(JP)

(**) Term: **14 Years**

(21) Appl. No.: **29/402,037**

(22) Filed: **Sep. 20, 2011**

(30) **Foreign Application Priority Data**

May 24, 2011 (JP) 2011-011633

(51) **LOC (9) Cl.** **08-05**

(52) **U.S. Cl.**
USPC **D8/354**

(58) **Field of Classification Search**
USPC D8/349, 354, 380, 382, 366, 363,
D8/371, 373, 376; 248/300, 237, 309.1,
248/200, 205.1, 207, 214, 235, 247, 351,
248/220.41, 224.8, 229.25, 239.12, 73, 229.1,
248/224.51, 224.61, 316.1, 313; 52/188,
52/182, 191, 702, 712, 745.06, 189, 506.5,
52/586.1; 29/428, 525.01, 464; 249/14,
249/205, 208; 403/167, 169, 362; 211/86.01,
211/90.01, 105.1, 193, 134; 108/152;
40/642.02; D12/400, 223, 159; D15/21,
D15/28; 200/237-238, 275; 361/810, 807;
91/50; 24/339

See application file for complete search history.

(56) **References Cited**

U.S. PATENT DOCUMENTS

3,580,137 A * 5/1971 Brandenburg 91/50
3,778,537 A * 12/1973 Miller 174/138 R
4,025,216 A * 5/1977 Hives 403/381
4,316,145 A * 2/1982 Tann 324/207.26
4,632,352 A * 12/1986 Stoll 248/313
D371,861 S * 7/1996 Stamm D26/140

D375,449 S * 11/1996 Dahlberg D8/349
D379,424 S * 5/1997 White et al. D8/354
D403,233 S * 12/1998 Nagato D8/354
D403,234 S * 12/1998 Nagato D8/354
D404,637 S * 1/1999 Nagato D8/354
D404,638 S * 1/1999 Machijima D8/354
D407,296 S * 3/1999 Nagato D8/354
D427,052 S * 6/2000 Nagato D8/396

(Continued)

Primary Examiner — Mark Goodwin

(74) *Attorney, Agent, or Firm* — Yokoi & Co., U.S.A., Inc.;
Toshiyuki Yokoi

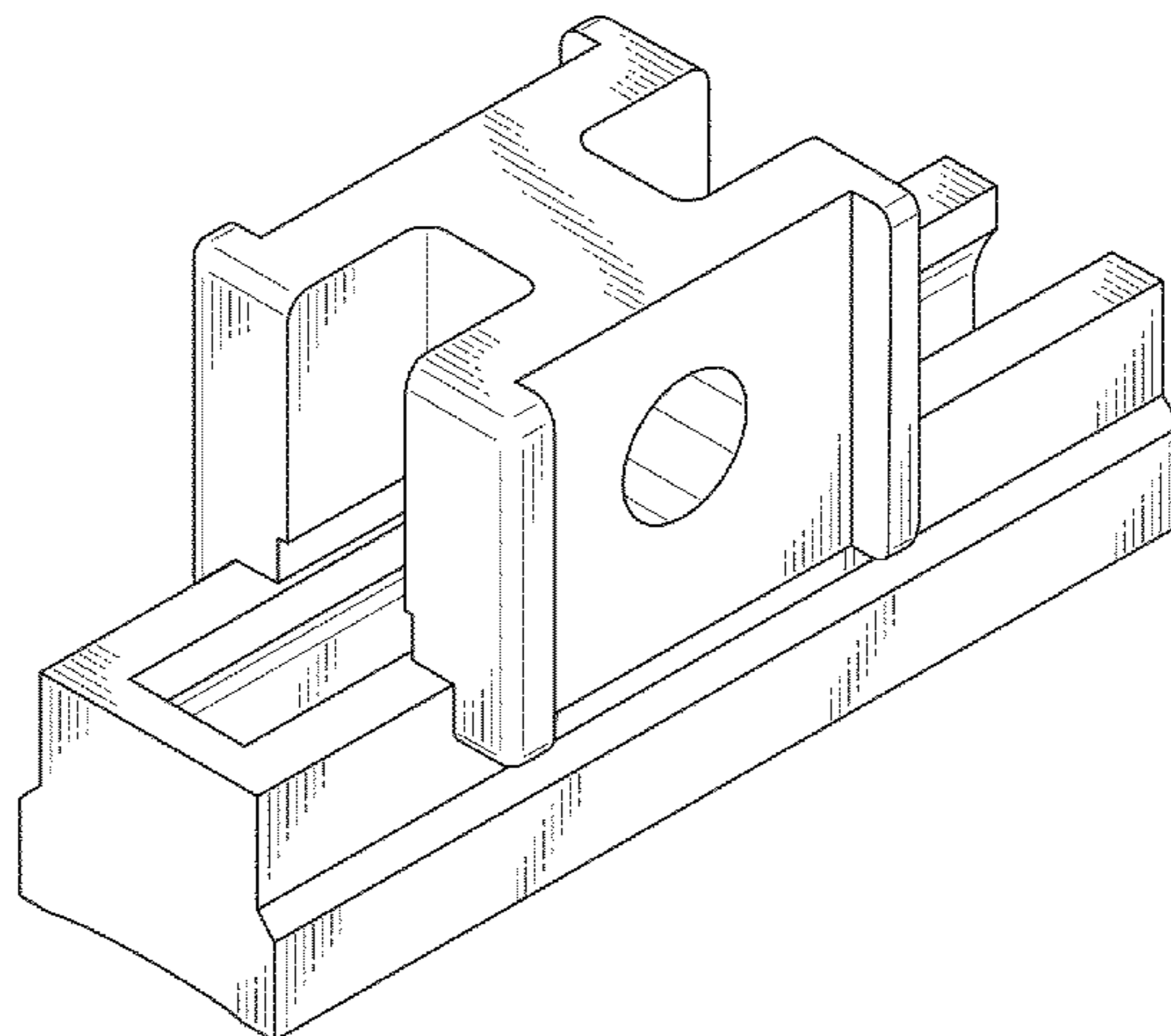
(57) **CLAIM**

The ornamental design for a sensor mount assembly, as
shown and described.

DESCRIPTION

FIG. 1 shows a front view of a sensor mount assembly show-
ing my new design;
FIG. 2 shows a rear view thereof;
FIG. 3 shows a right side view thereof;
FIG. 4 shows a left side view thereof;
FIG. 5 shows a top view thereof;
FIG. 6 shows a bottom view thereof;
FIG. 7 shows a top, front and left side perspective view
thereof;
FIG. 8 shows a top, front and left side exploded perspective
view thereof to illustrate a mounting member and a sensor
folder separately;
FIG. 9 shows a bottom view thereof with the sensor folder
removed to illustrate the bottom surface of the mounting
member;
FIG. 10 shows a cross-sectional view thereof, taken along line
10-10 in FIG. 5; and,
FIG. 11 shows a reduced scale top, front and left side per-
spective view thereof in use with a cylinder and a sensor.
The cylinder and the sensor shown in broken lines in FIG. 11
are for the purpose of illustrating the environment only and
form no part of the claimed design.

1 Claim, 7 Drawing Sheets



(56)

References Cited

U.S. PATENT DOCUMENTS

6,089,111 A * 7/2000 Machijima 73/866.5
D453,677 S * 2/2002 Machijima D8/354
D457,805 S * 5/2002 Machijima D8/354
D461,710 S * 8/2002 Heltzer D8/395
D462,330 S * 9/2002 Sakurai D13/158
D522,348 S * 6/2006 Hansen D8/354
D540,478 S * 4/2007 Price D25/113
D542,405 S * 5/2007 Esjunin D23/422

D547,637 S * 7/2007 Blacker D8/354
D560,471 S * 1/2008 Short et al. D8/354
7,372,708 B2 * 5/2008 Terasaki et al. 361/810
D615,847 S * 5/2010 Tezak et al. D8/349
D616,276 S * 5/2010 Friegang D8/72
D622,131 S * 8/2010 Tezak et al. D8/349
D623,044 S * 9/2010 Tezak et al. D8/349
D639,737 S * 6/2011 Saber et al. D13/118
D659,639 S * 5/2012 Saber et al. D13/118
D664,836 S * 8/2012 Kikuchi D8/382

* cited by examiner

FIG. 3

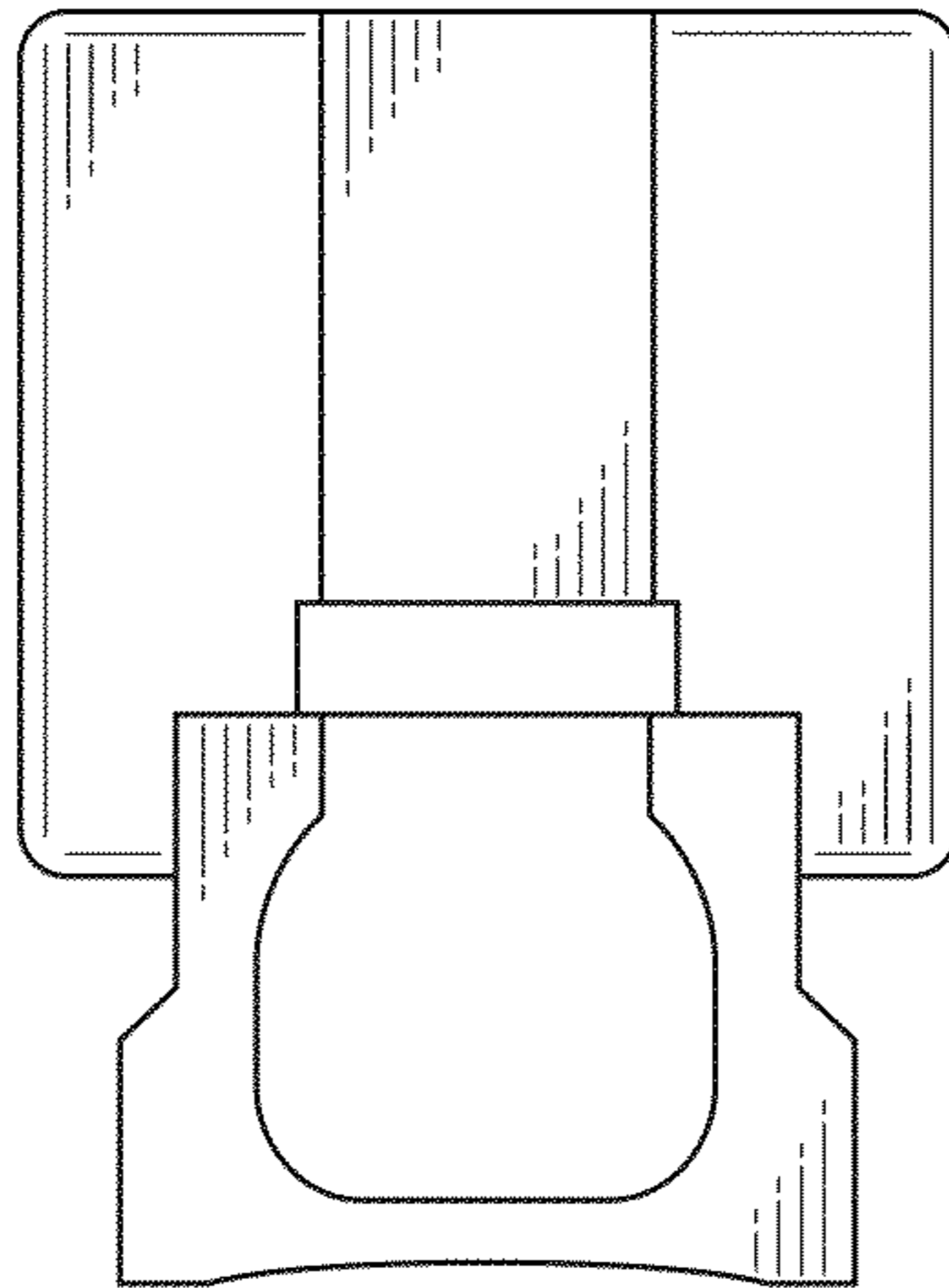


FIG. 4

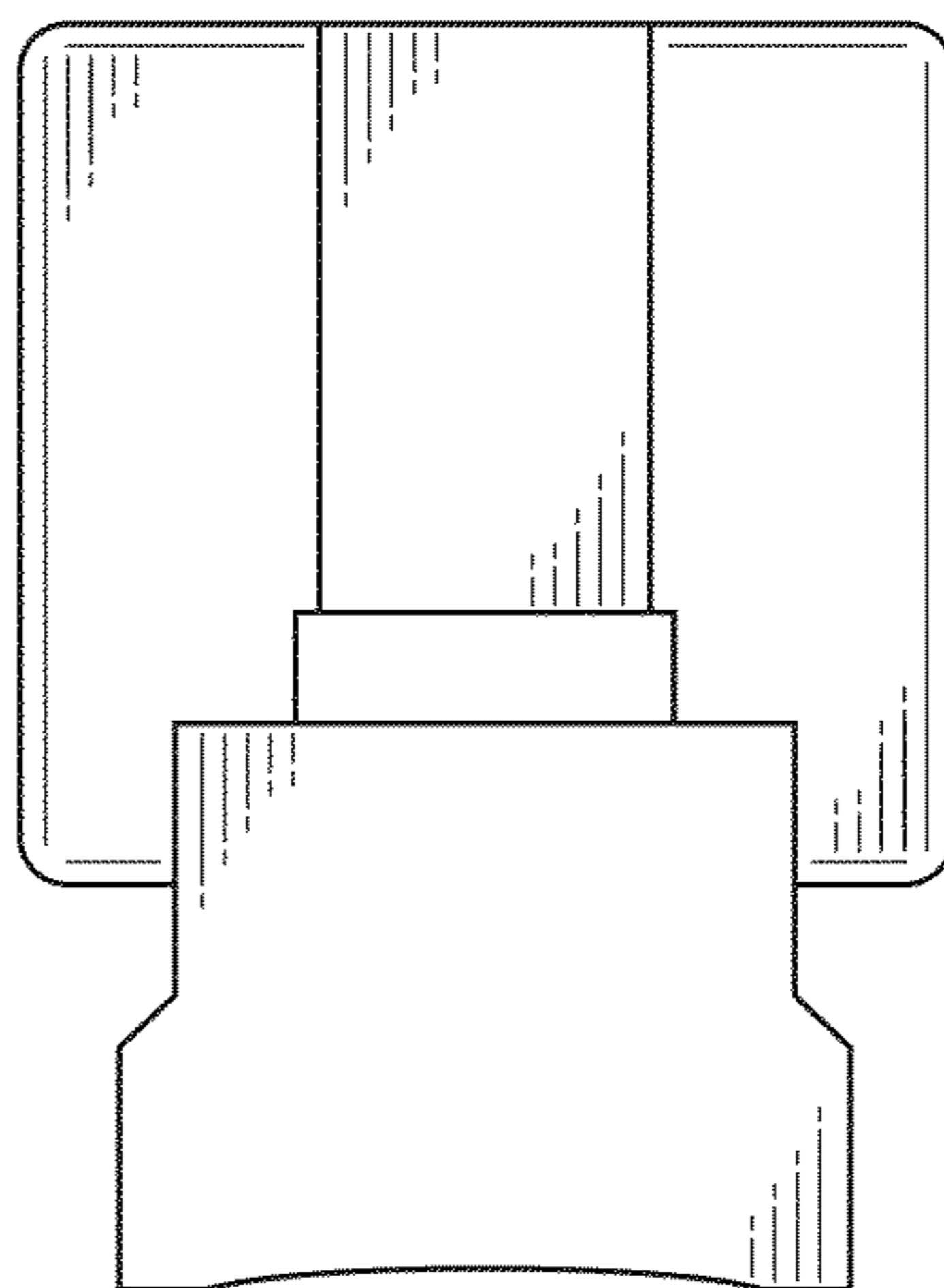


FIG. 5

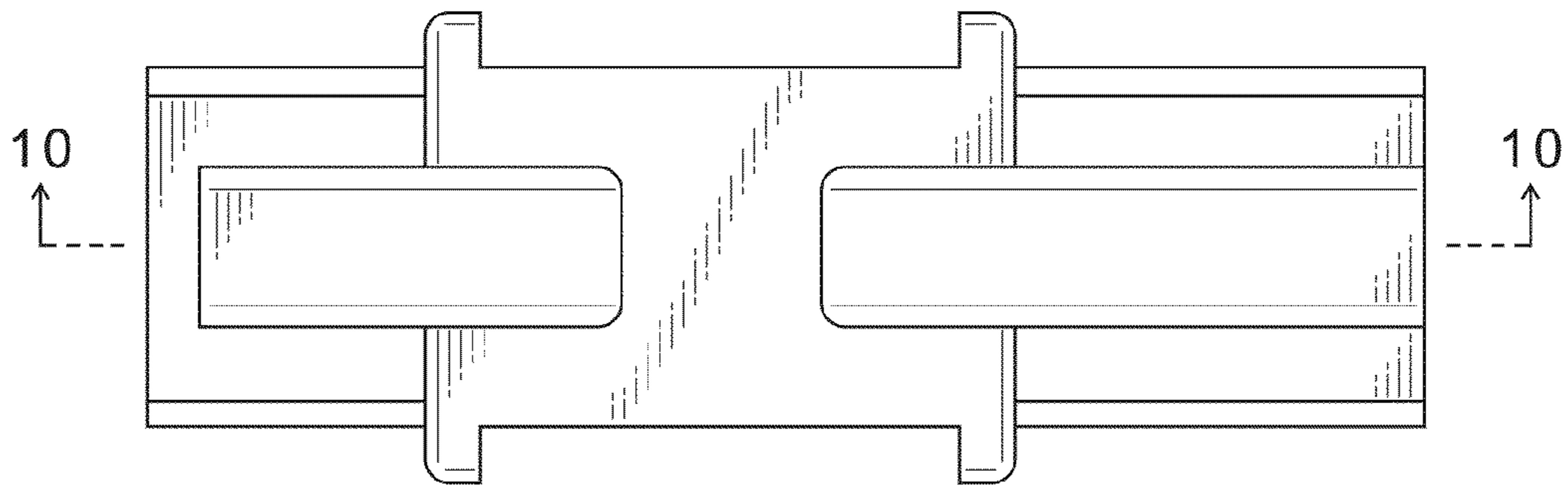


FIG. 6

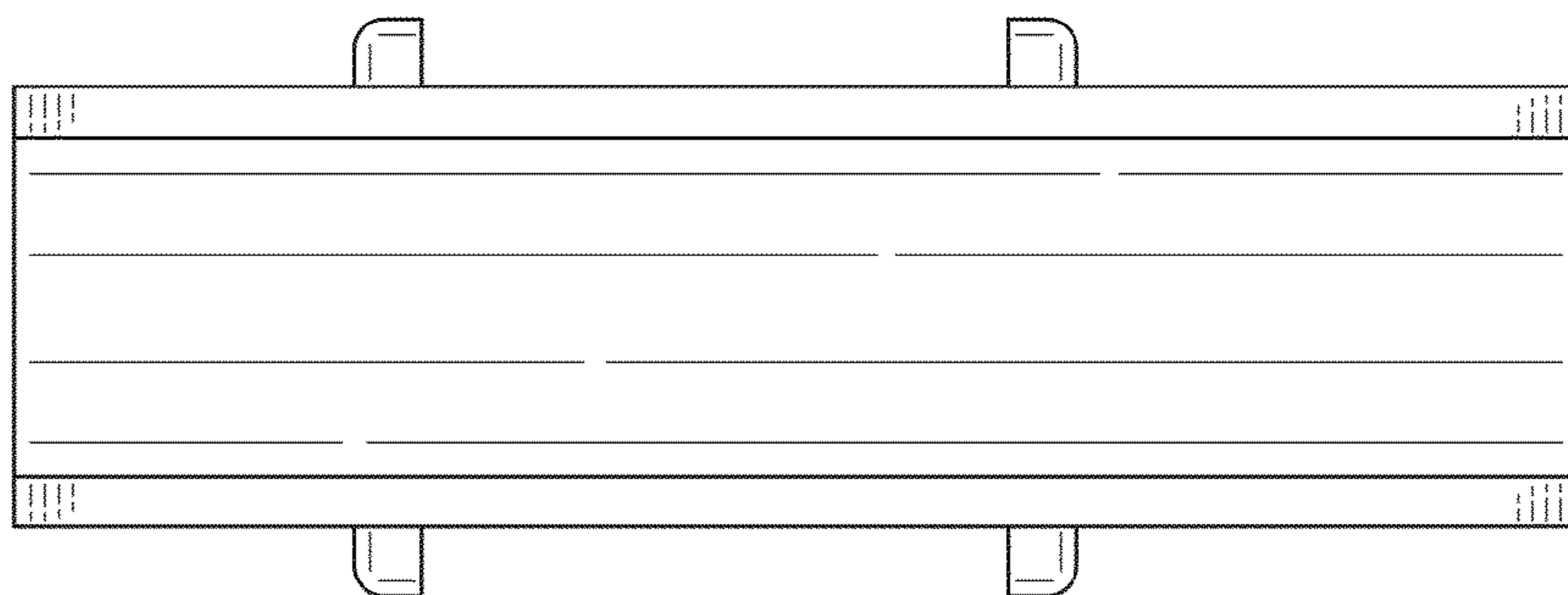


FIG. 7

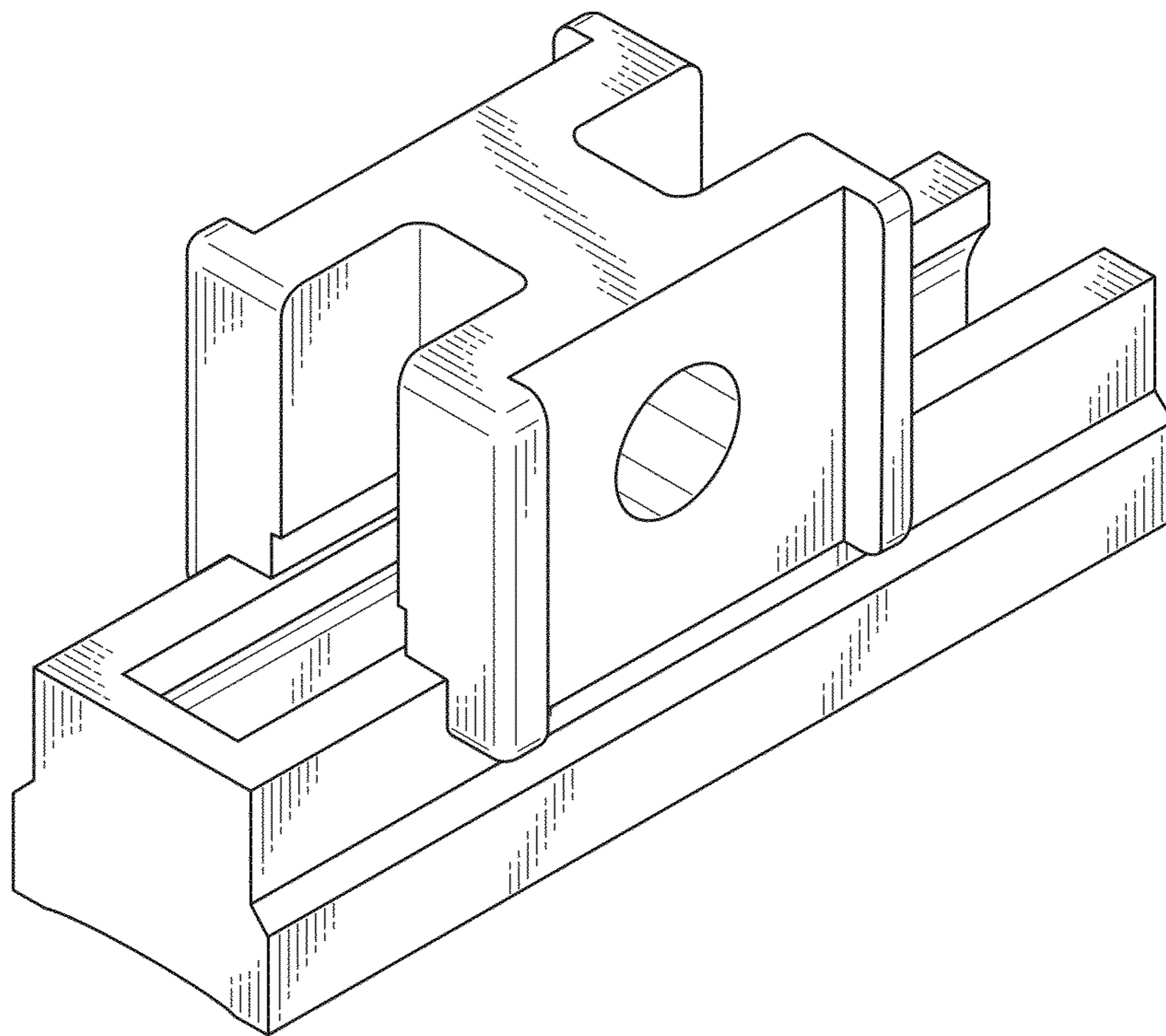


FIG. 8

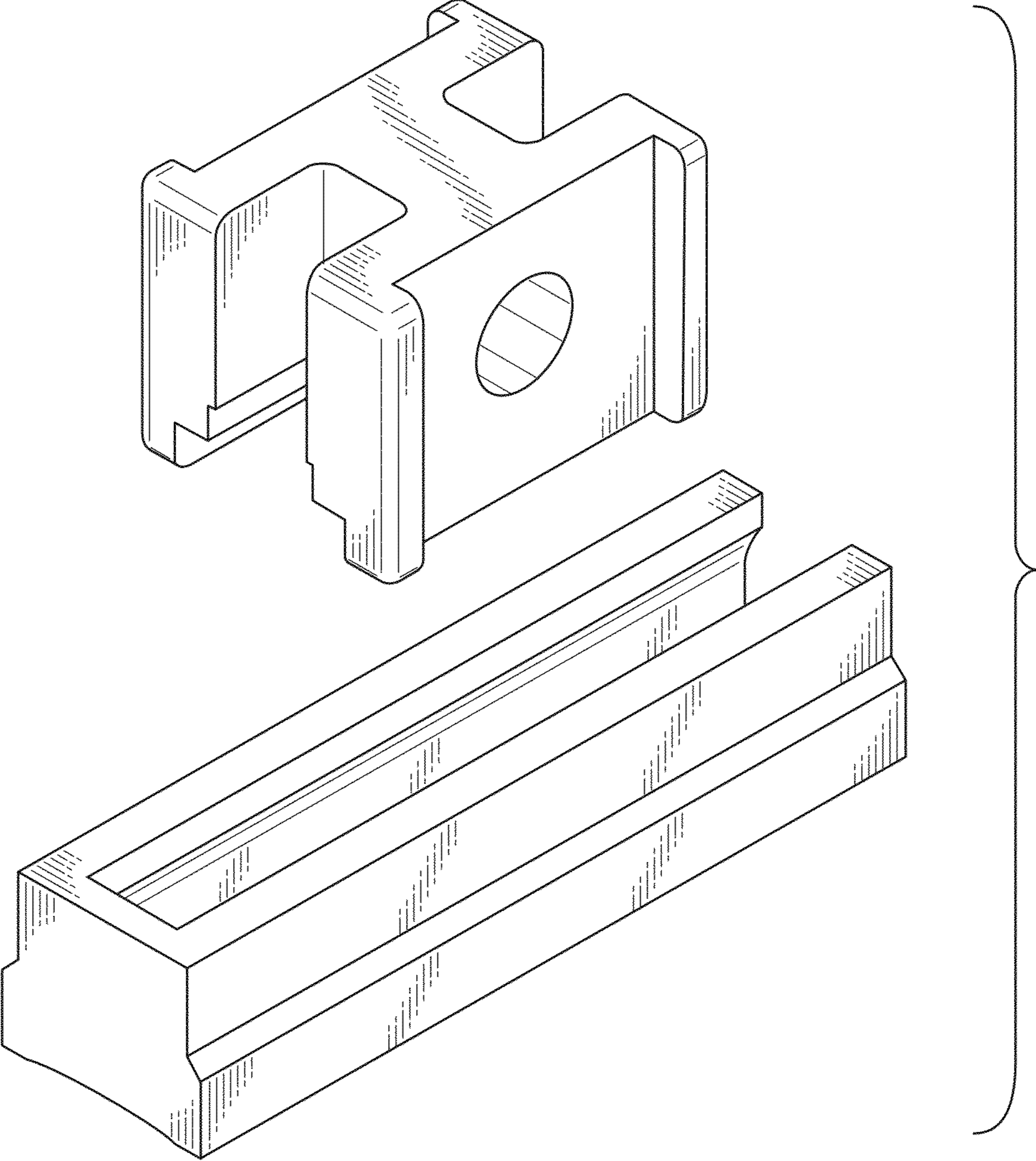


FIG. 9

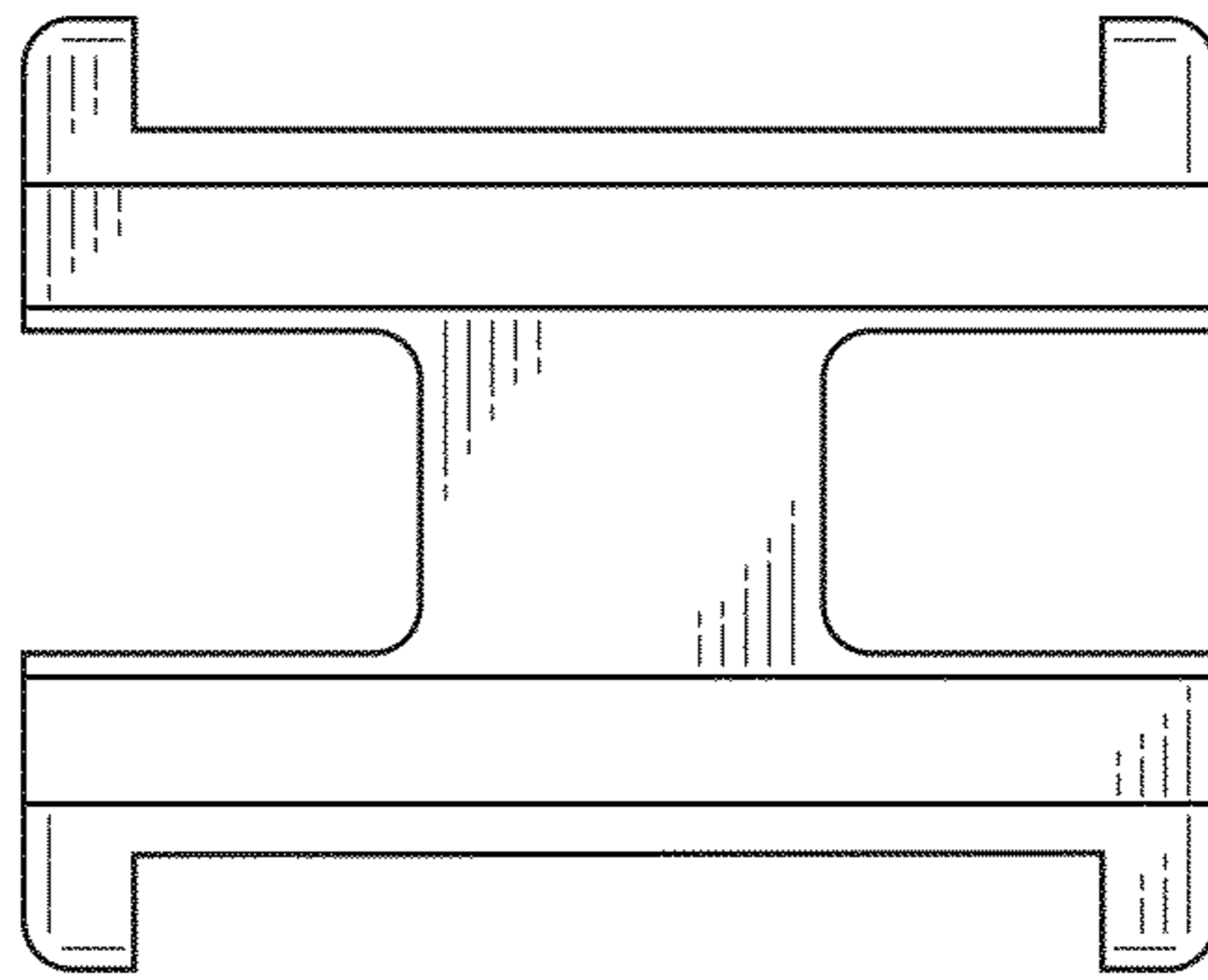


FIG. 10

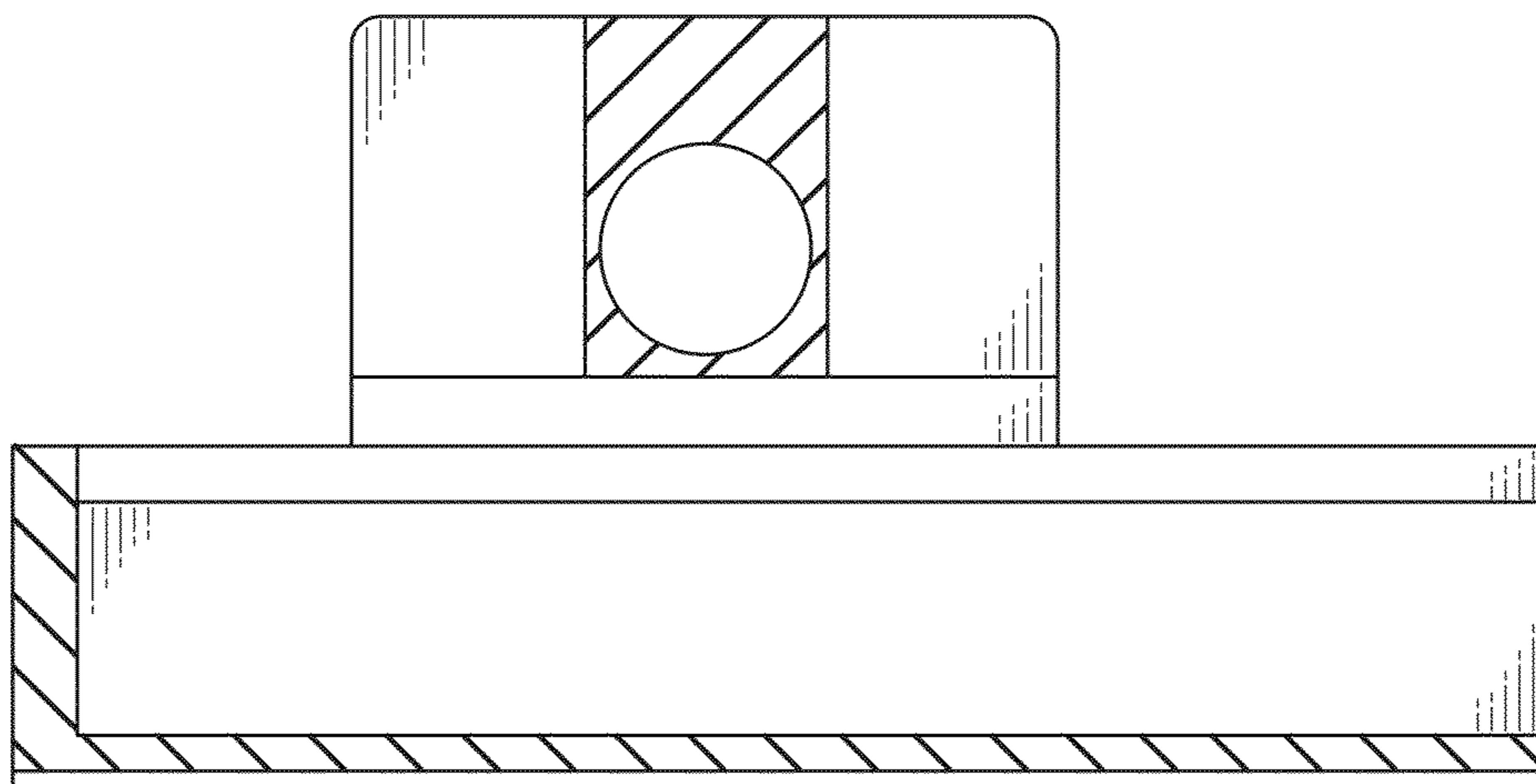


FIG. 11

