



US00D687697S

(12) **United States Design Patent**  
**Troise**

(10) **Patent No.:** **US D687,697 S**

(45) **Date of Patent:** **\*\* Aug. 13, 2013**

(54) **DRAWER PULL**

(71) Applicant: **Justin Anthony Troise**, Kill Devil Hills, NC (US)

(72) Inventor: **Justin Anthony Troise**, Kill Devil Hills, NC (US)

(\*\*) Term: **14 Years**

(21) Appl. No.: **29/435,052**

(22) Filed: **Oct. 18, 2012**

(51) **LOC (9) Cl.** ..... **08-06**

(52) **U.S. Cl.**  
USPC ..... **D8/305; D8/307**

(58) **Field of Classification Search**  
USPC ..... D8/300, 305, 307, 310, DIG. 2, DIG. 3;  
D23/250, 238, 254; 16/110.1, 414, 415, 417,  
16/432, 433; 74/552, 553  
See application file for complete search history.

(56) **References Cited**

U.S. PATENT DOCUMENTS

D9,309 S	5/1876	Burnham	
D10,283 S	10/1877	Jarecki	
D33,861 S *	1/1901	Glauber	D23/250
D42,855 S	8/1912	Mason	
D45,142 S *	1/1914	Aull	D23/253
1,160,421 A *	11/1915	Lidseen	16/432
1,548,520 A *	8/1925	Flodin	16/432
1,833,278 A *	11/1931	Cummins	74/552
D106,930 S *	11/1937	Rumley	D23/253
2,118,128 A	5/1938	Yardley	
D115,235 S *	6/1939	Olson	D23/253
D127,735 S *	6/1941	Dreyfuss	D23/250
2,311,269 A	2/1943	Van Cleave	
D142,928 S *	11/1945	Wright	D23/253

D146,674 S *	4/1947	McManus et al.	D23/253
D153,285 S *	4/1949	Hinderer	D23/253
2,496,714 A *	2/1950	Haines	16/441
2,523,458 A *	9/1950	Vogel	116/205
D187,847 S *	5/1960	Köhler	D23/250
D252,339 S	7/1979	Okano	
D252,340 S	7/1979	Okano	
D274,084 S	5/1984	Yanagi	
D274,085 S	5/1984	Yanagi	
D276,544 S *	11/1984	Piesco	D23/254
D451,361 S *	12/2001	Yang	D8/307
D503,216 S	3/2005	Berkman	
D658,271 S	4/2012	Schaefer	
D678,477 S *	3/2013	Kuhlman	D23/238

\* cited by examiner

*Primary Examiner* — Paula Greene

(74) *Attorney, Agent, or Firm* — QuickPatents; Kevin Prince

(57) **CLAIM**

I claim the ornamental design for a drawer pull, as shown and described.

**DESCRIPTION**

FIG. 1 is a front perspective view of a drawer pull, showing my new design;

FIG. 2 is a rear perspective view thereof;

FIG. 3 is a front elevational view thereof;

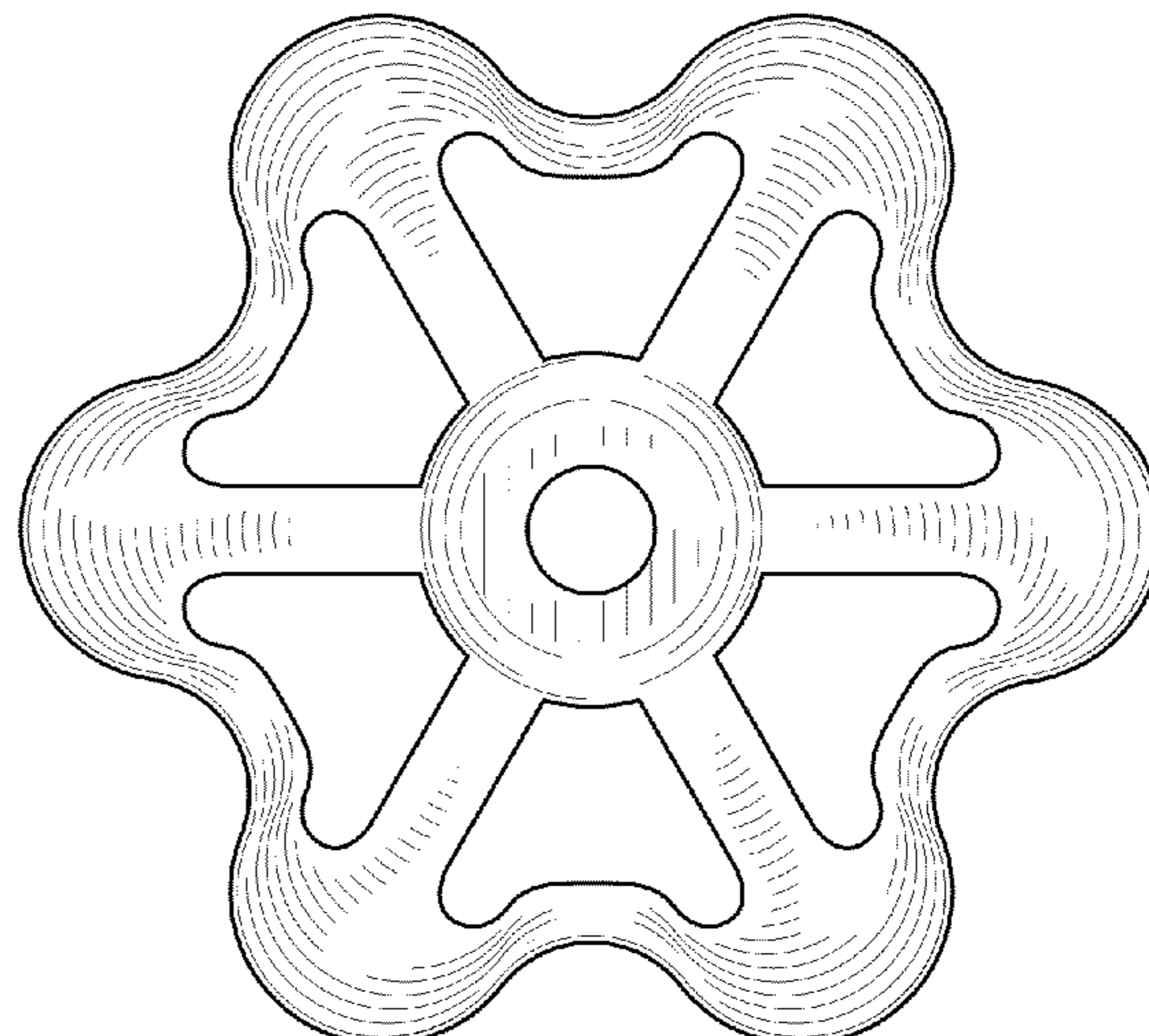
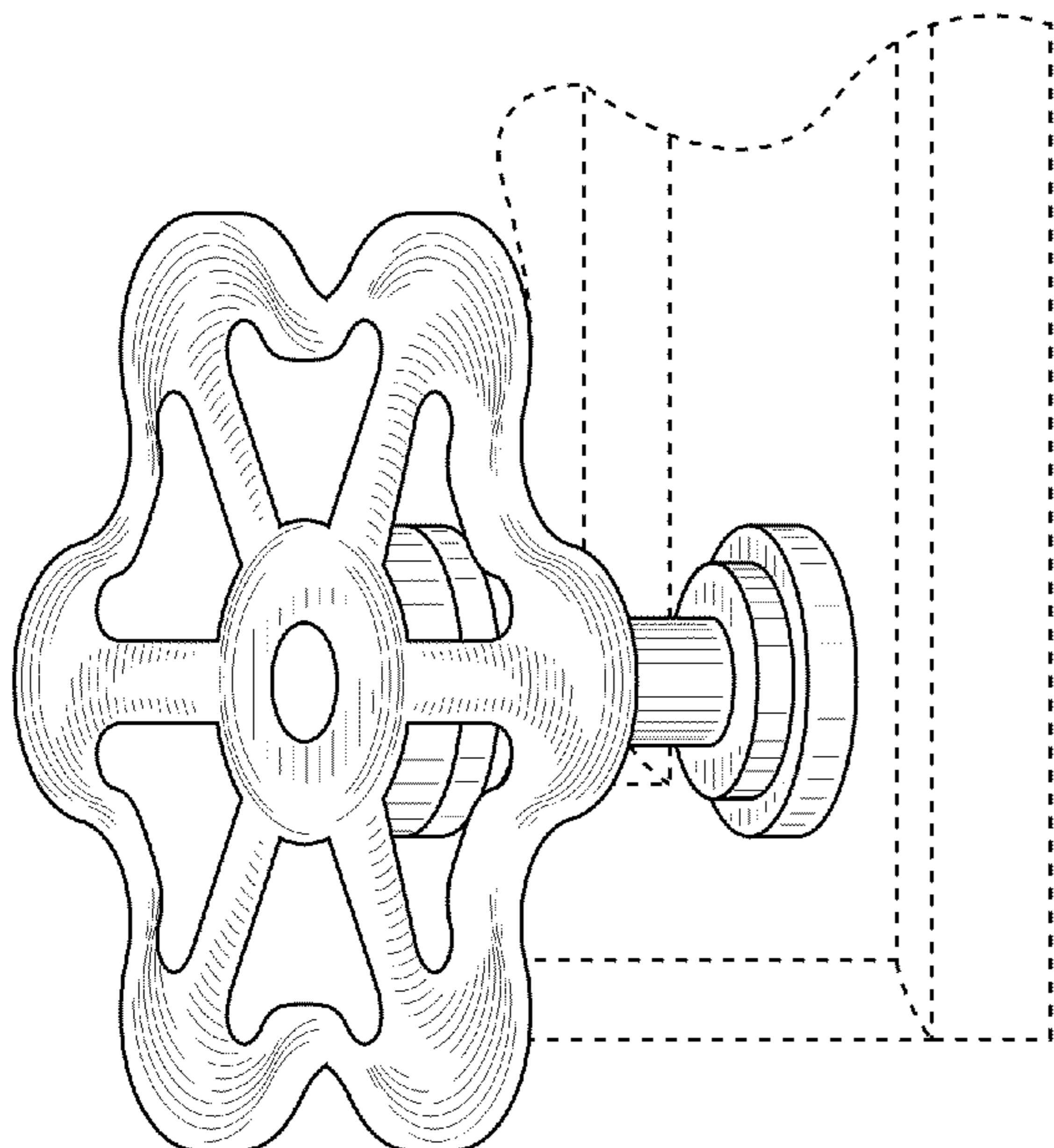
FIG. 4 is a rear elevational view thereof;

FIG. 5 is a left-side elevational view thereof, the right-side elevational view being a mirror image thereof; and,

FIG. 6 is a top plan view thereof, the bottom plan view being a mirror image thereof.

The broken lines showing a cabinet door in FIG. 1 and a fastening screw in FIG. 2 depict environmental matter and form no part of the claimed design.

**1 Claim, 3 Drawing Sheets**



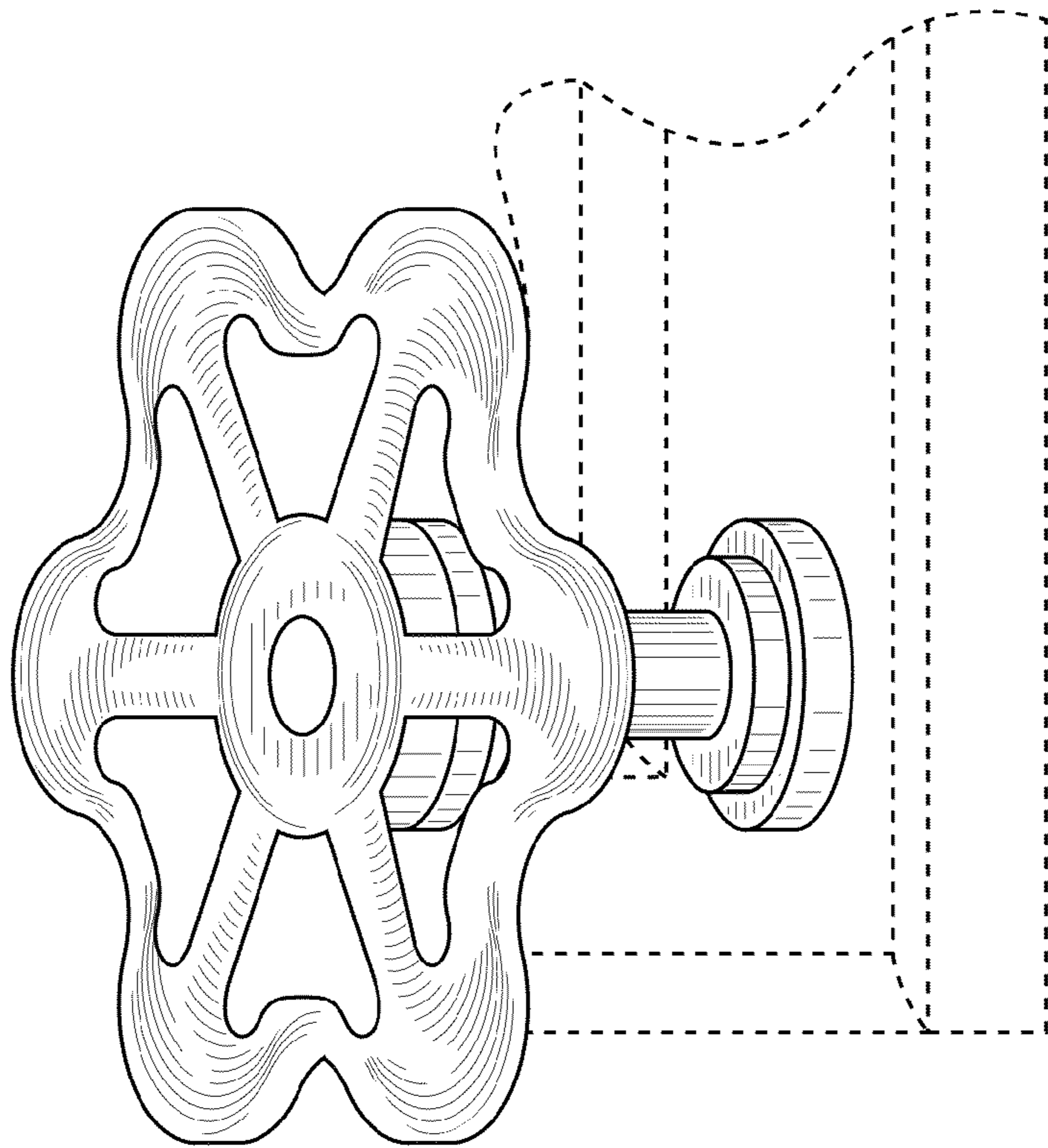


FIG. 1

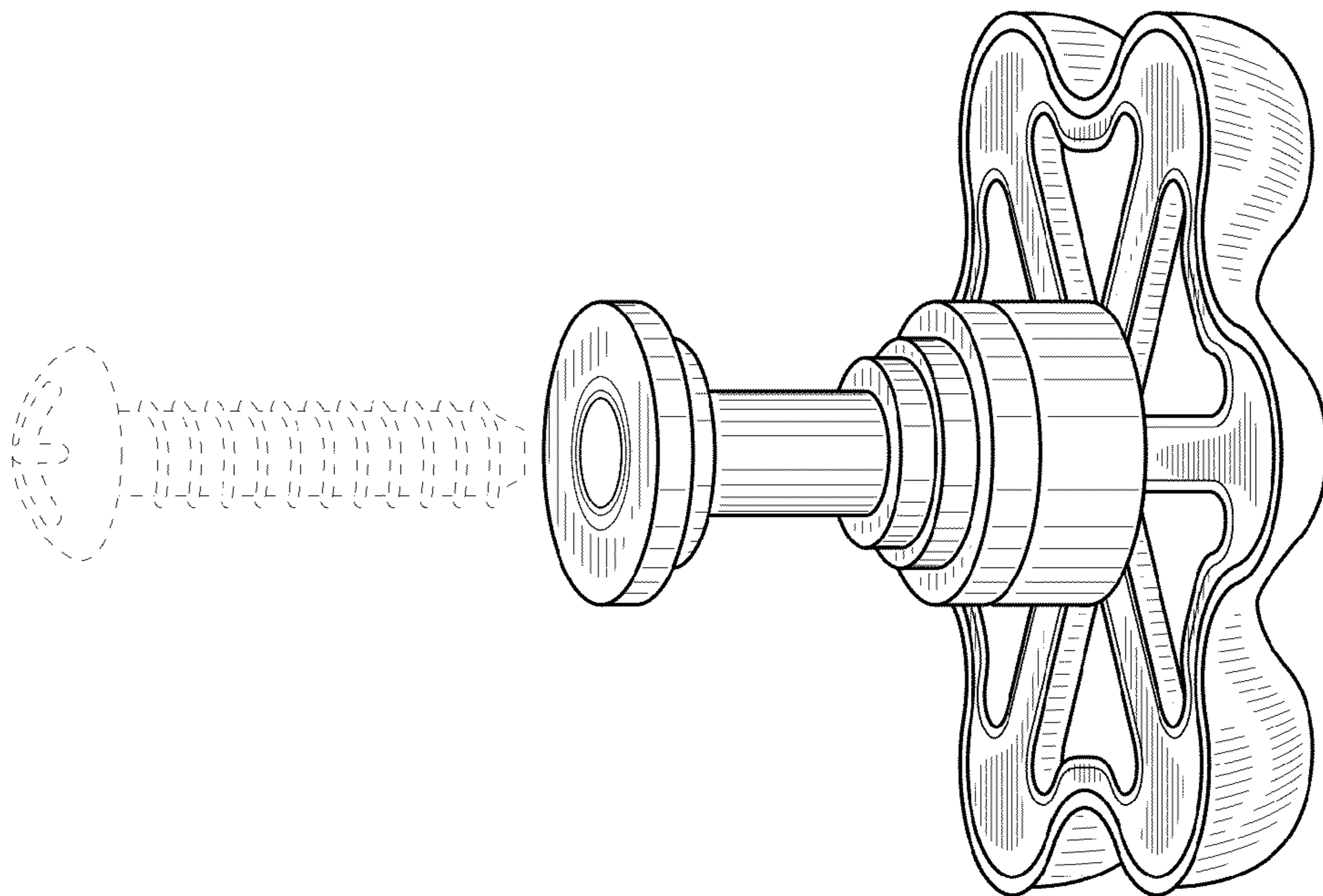


FIG. 2

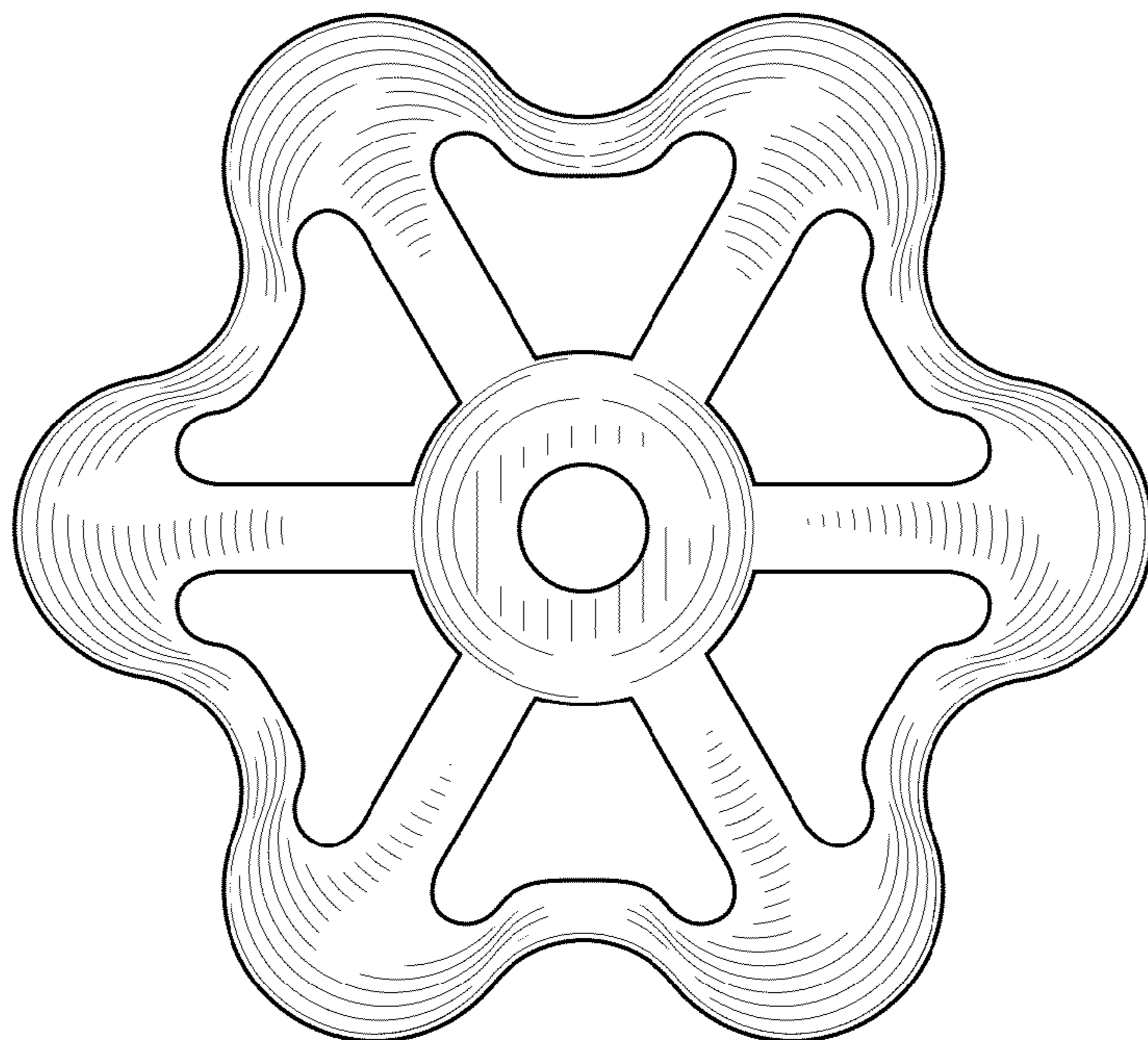


FIG. 3

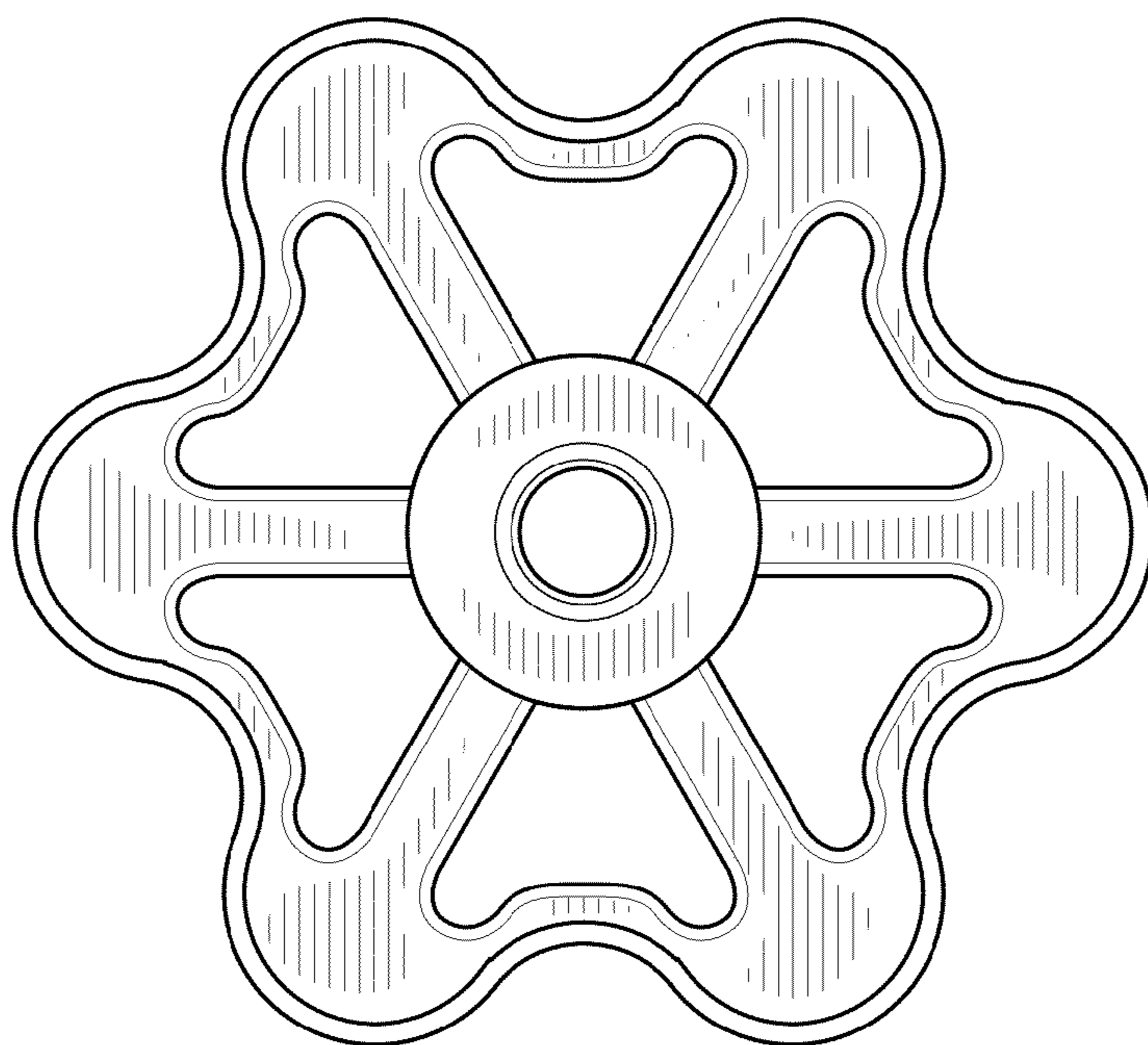


FIG. 4

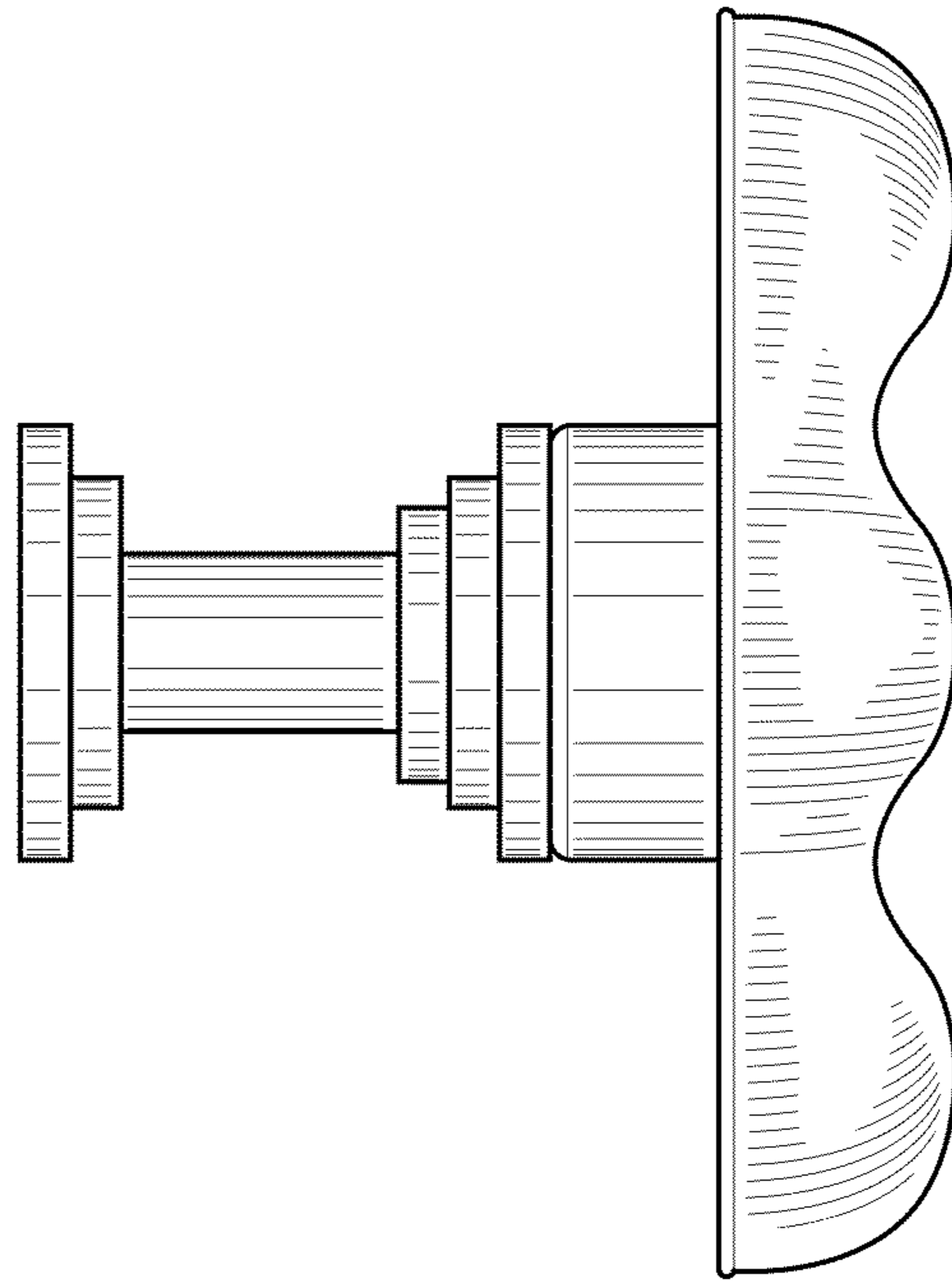


FIG. 5

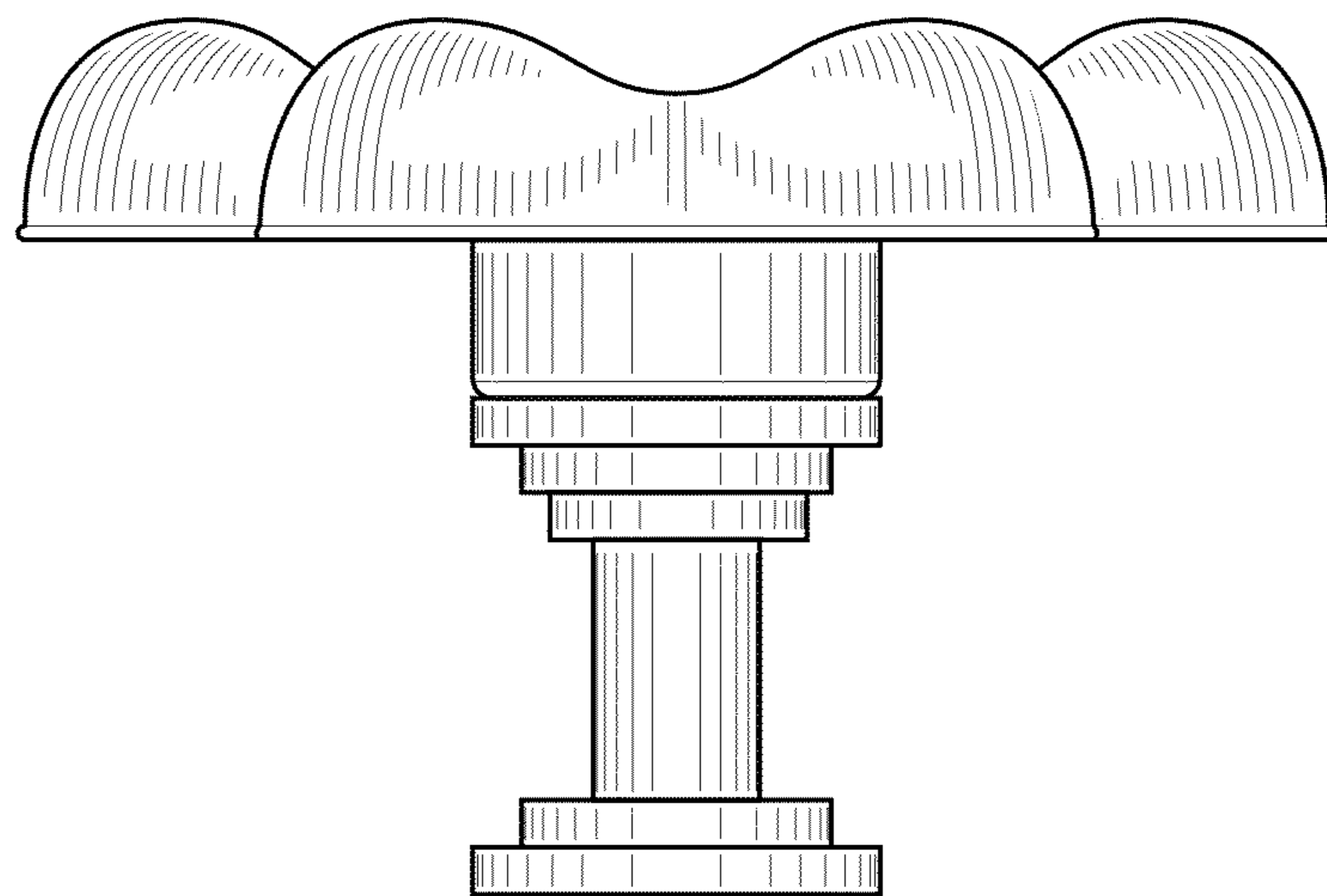


FIG. 6