



US00D687696S

(12) **United States Design Patent**
Nieto

(10) **Patent No.:** **US D687,696 S**

(45) **Date of Patent:** **** Aug. 13, 2013**

- (54) **SCREWDRIVER WITH CRANK**
- (76) Inventor: **German Nieto, Girardot (CO)**
- (**) Term: **14 Years**
- (21) Appl. No.: **29/395,242**
- (22) Filed: **Feb. 21, 2012**
- (51) **LOC (9) Cl.** **08-04**
- (52) **U.S. Cl.**
USPC **D8/84**
- (58) **Field of Classification Search**
USPC D8/82-87, 98-99, 105, 107; 7/165,
7/167, 169; 81/177.1-177.7, 436, 438, 489;
362/120
See application file for complete search history.

7,788,996	B2 *	9/2010	Johnson et al.	81/177.4
D630,918	S *	1/2011	Johnson et al.	D8/25
7,946,203	B2 *	5/2011	Johnson et al.	81/439
D643,273	S *	8/2011	Johnson et al.	D8/82

* cited by examiner

Primary Examiner — Susan E Krakower

Assistant Examiner — Roselynn Cody

(57) **CLAIM**

The ornamental design for a screwdriver with crank, as shown and described.

DESCRIPTION

FIG. 1 is a top, front, and left side perspective view of a screwdriver with crank, showing my new design in closed position;

FIG. 2 is a front elevational view thereof;

FIG. 3 a rear elevational view thereof;

FIG. 4 is a right side elevational view thereof;

FIG. 5 is a left side elevational view thereof;

FIG. 6 is a top plan view thereof;

FIG. 7 is a bottom plan view thereof;

FIG. 8 is a top, front, and left side perspective view of a screwdriver with crank, showing my new design in open position;

FIG. 9 is a front elevational view thereof;

FIG. 10 is a bottom, front, and left side perspective view thereof; and,

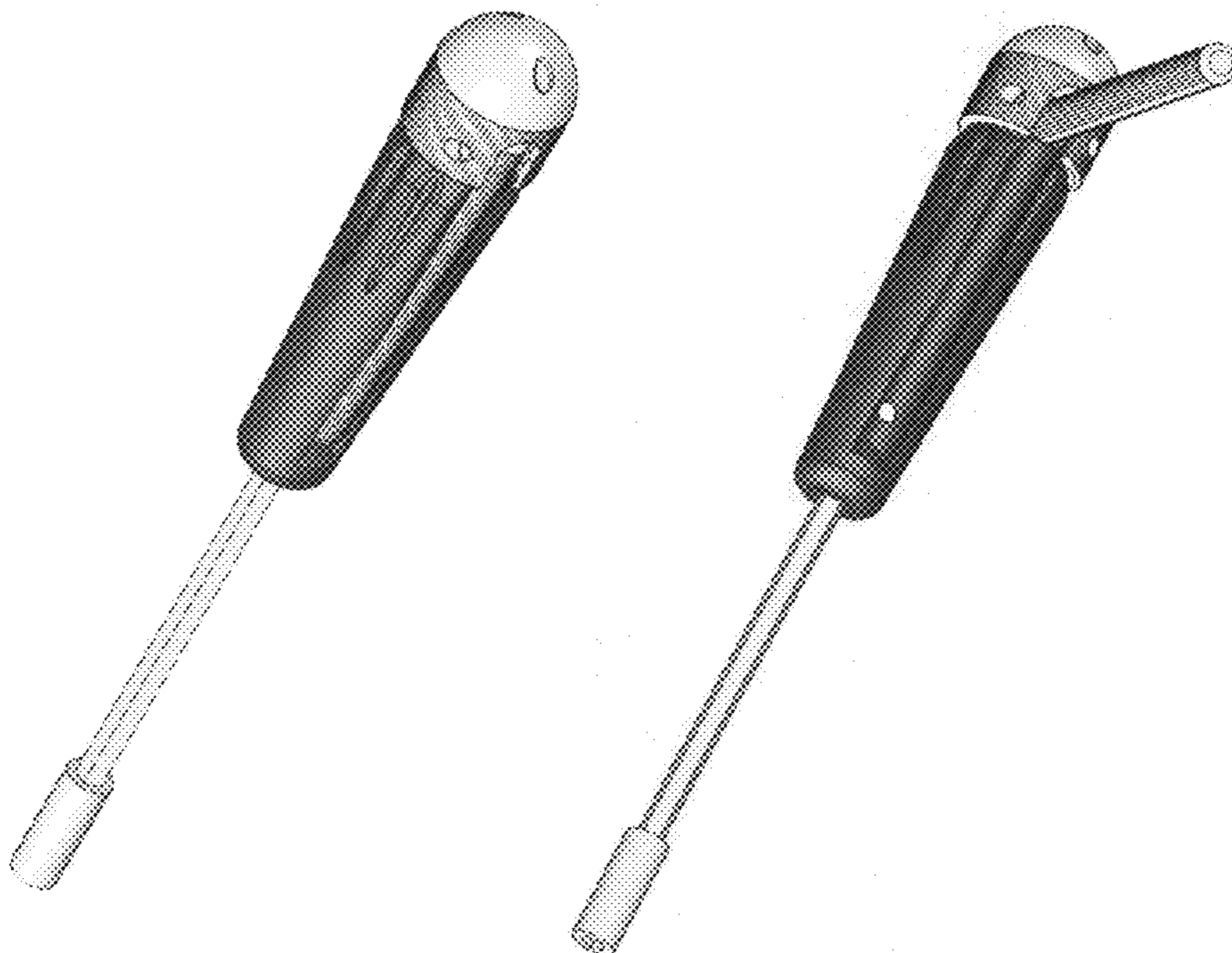
FIG. 11 is a right side elevational view thereof.

1 Claim, 11 Drawing Sheets

(56) **References Cited**

U.S. PATENT DOCUMENTS

D142,982	S *	11/1945	Bloomfield	D8/84
D175,056	S *	6/1955	Wilson	D8/84
D180,978	S *	9/1957	Wagner	D8/84
3,232,149	A *	2/1966	Duchesne	81/57.31
4,542,667	A *	9/1985	Jang	81/177.2
5,586,475	A *	12/1996	Wenner	81/60
5,590,575	A *	1/1997	Ludy	81/177.5
D390,083	S *	2/1998	Ludy	D8/83
6,095,018	A *	8/2000	Schuster	81/177.5
D454,766	S *	3/2002	Lin	D8/82
6,473,940	B1 *	11/2002	Cooper	16/441
6,640,672	B1 *	11/2003	Cheng	81/177.5
D551,530	S *	9/2007	Hirsch	D8/83
D592,482	S *	5/2009	Gregory	D8/98
7,571,517	B2 *	8/2009	Smith et al.	16/436
D603,677	S *	11/2009	Hi	D8/83



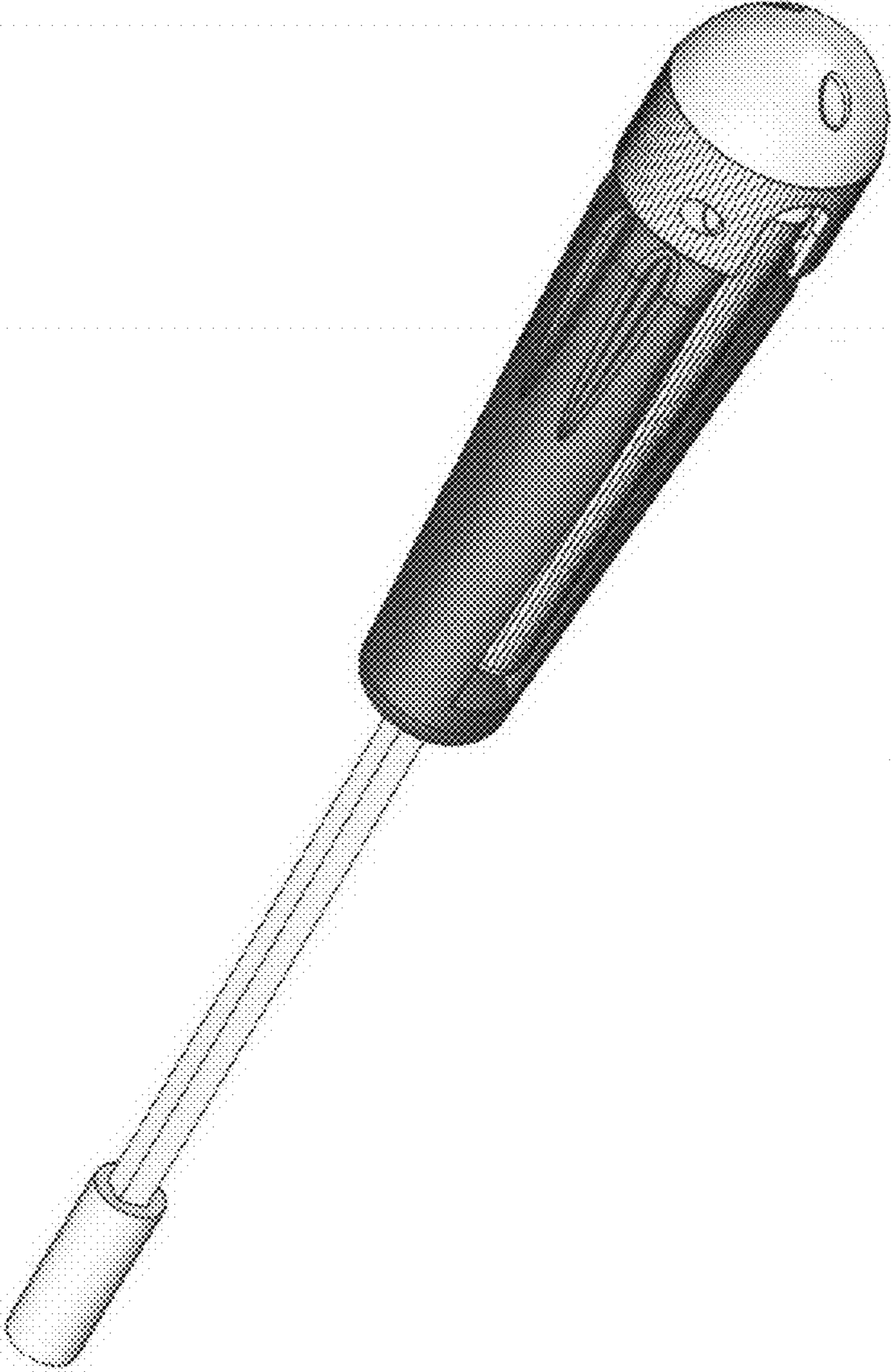


FIGURE 1

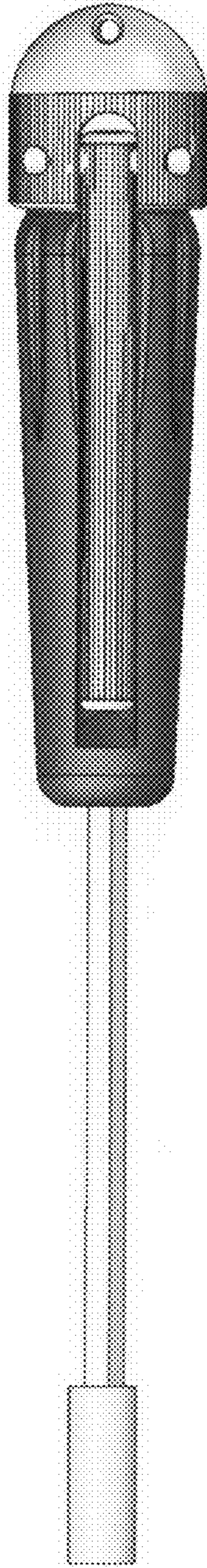


FIGURE 2

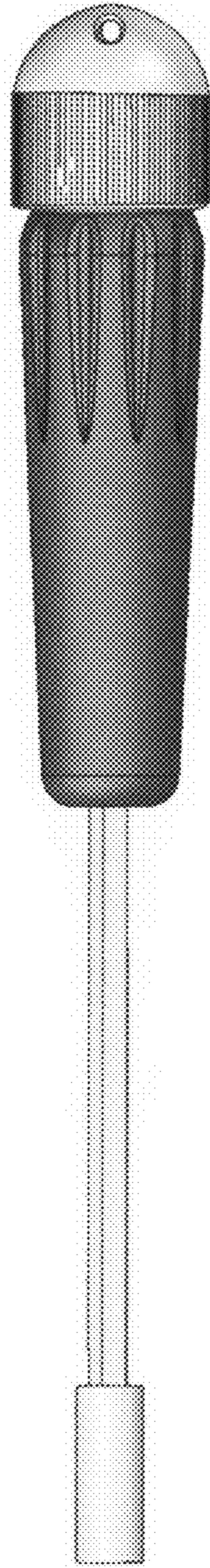


FIGURE 3

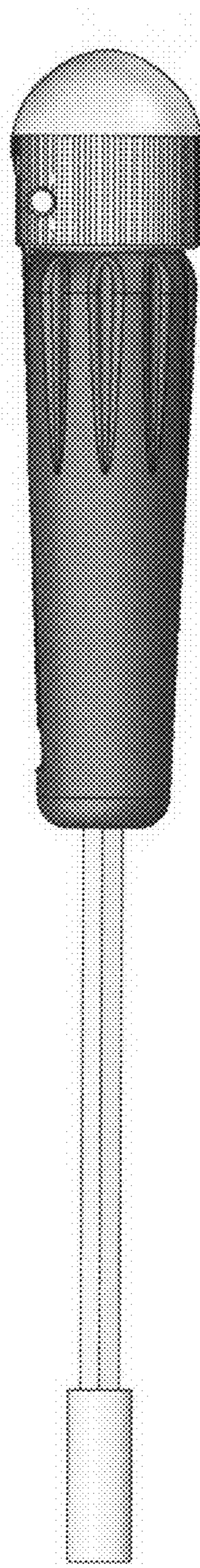


FIGURE 4

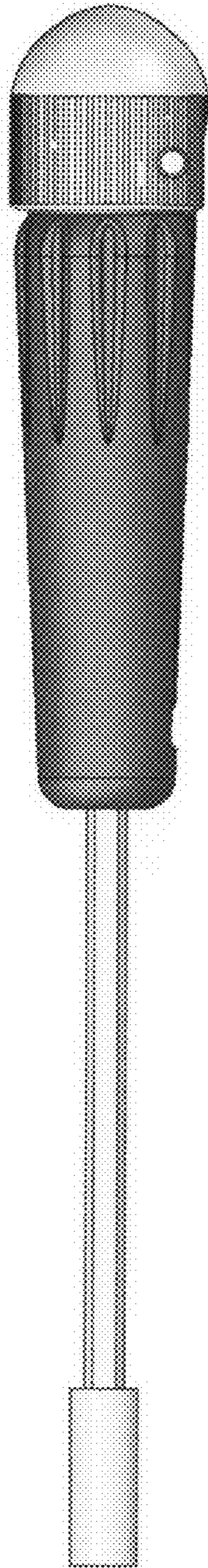


FIGURE 5

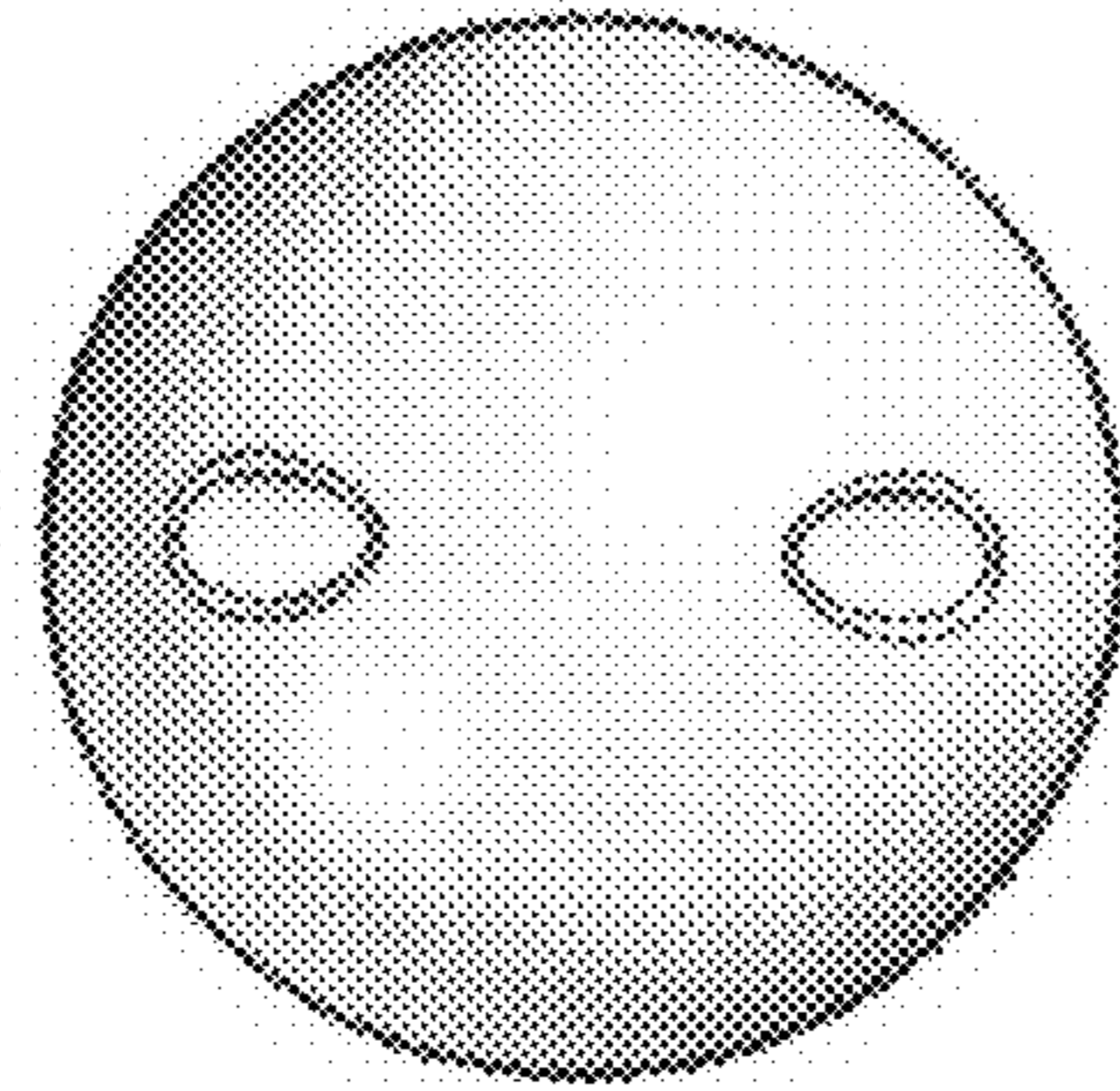


FIGURE 6

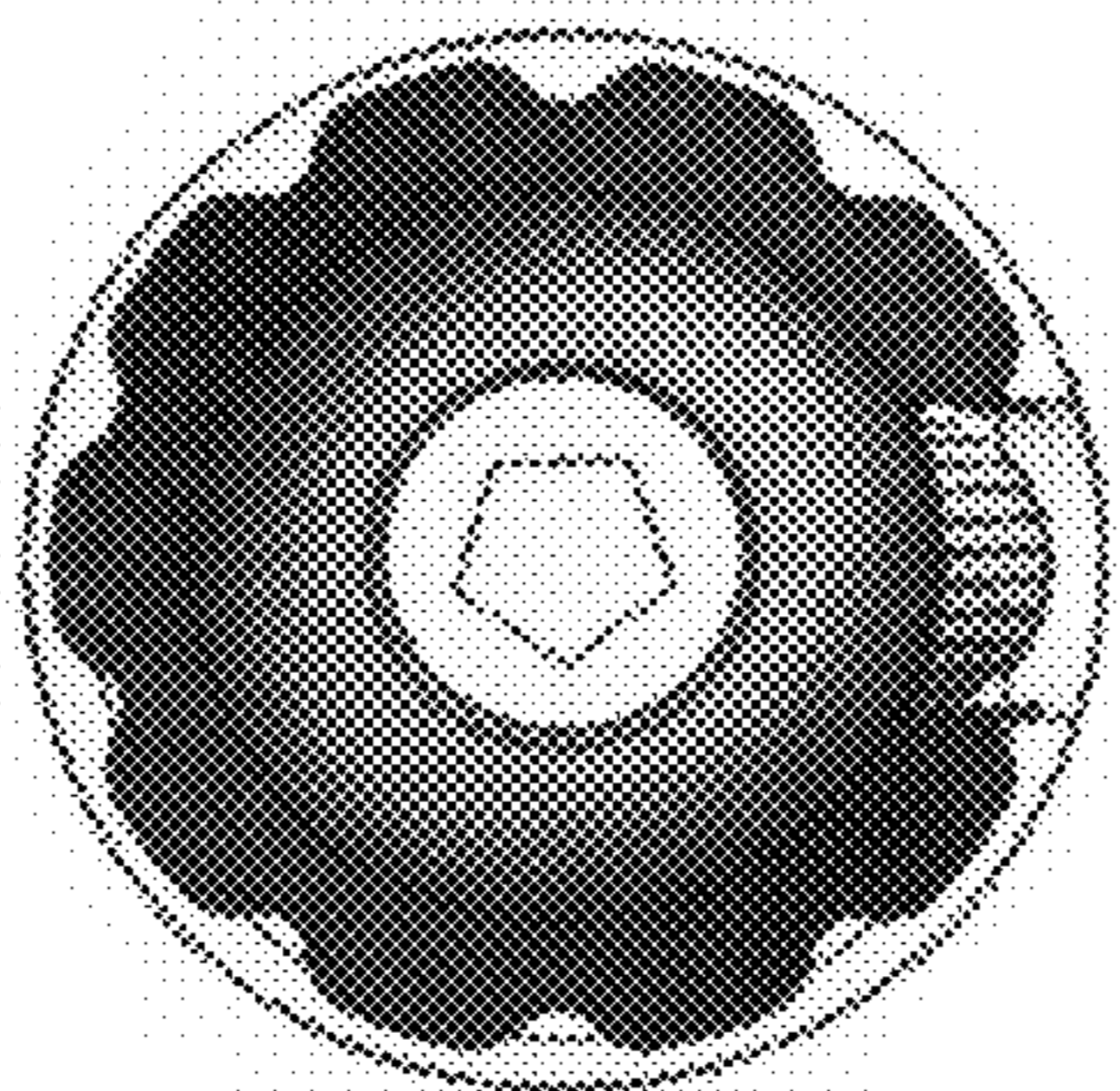


FIGURE 7

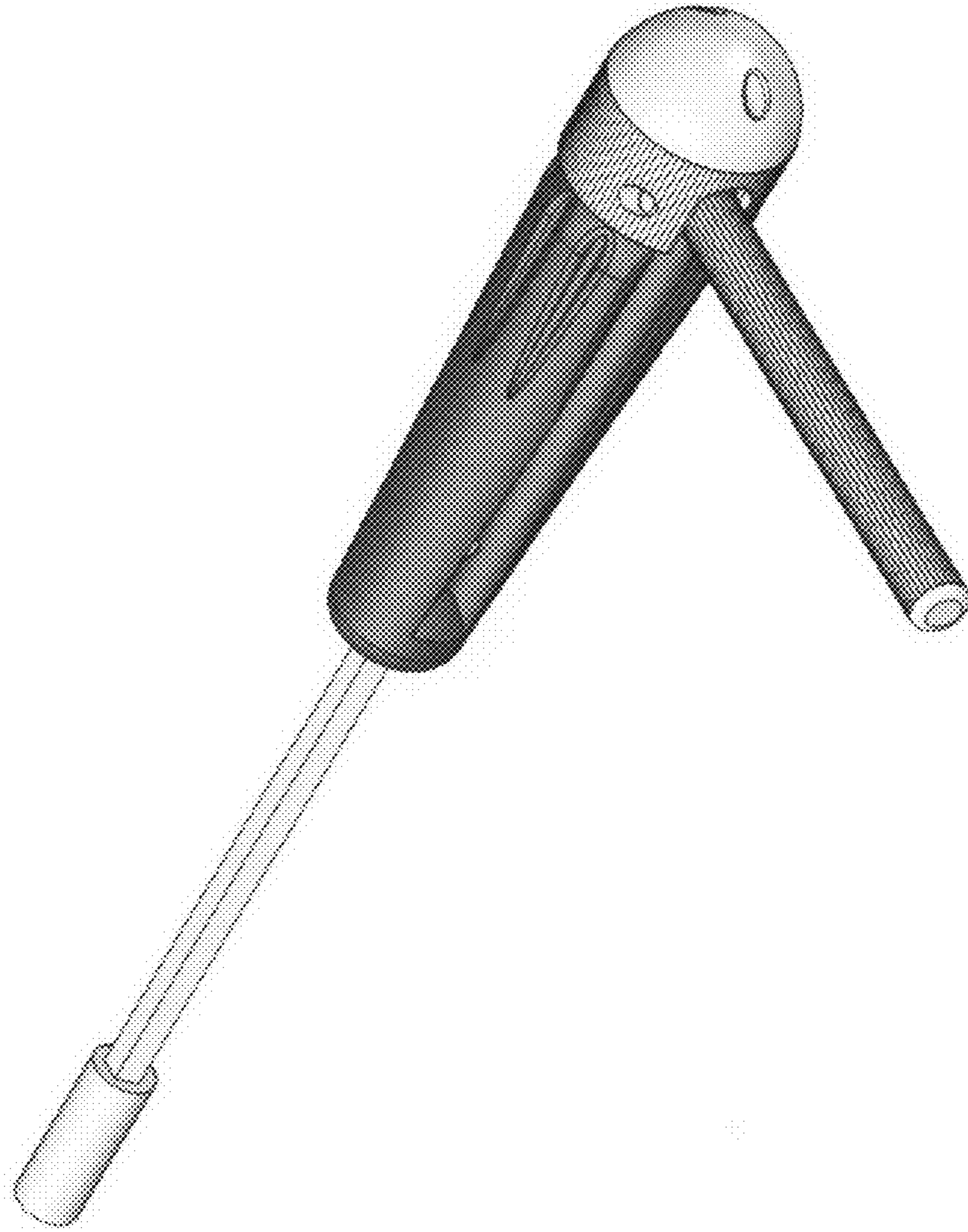


FIGURE 8

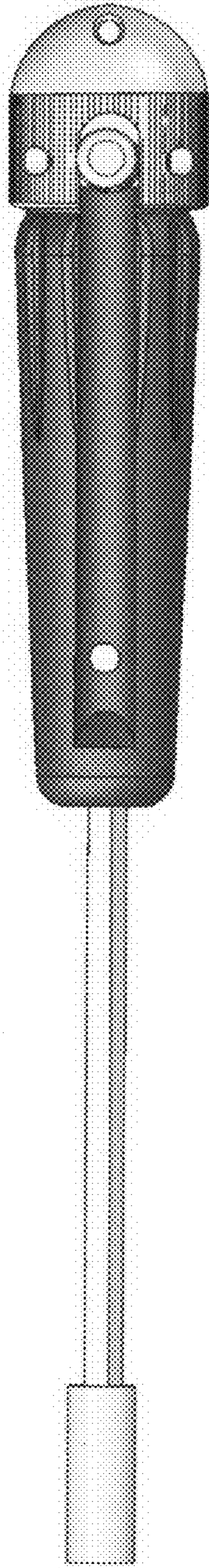


FIGURE 9



FIGURE 10

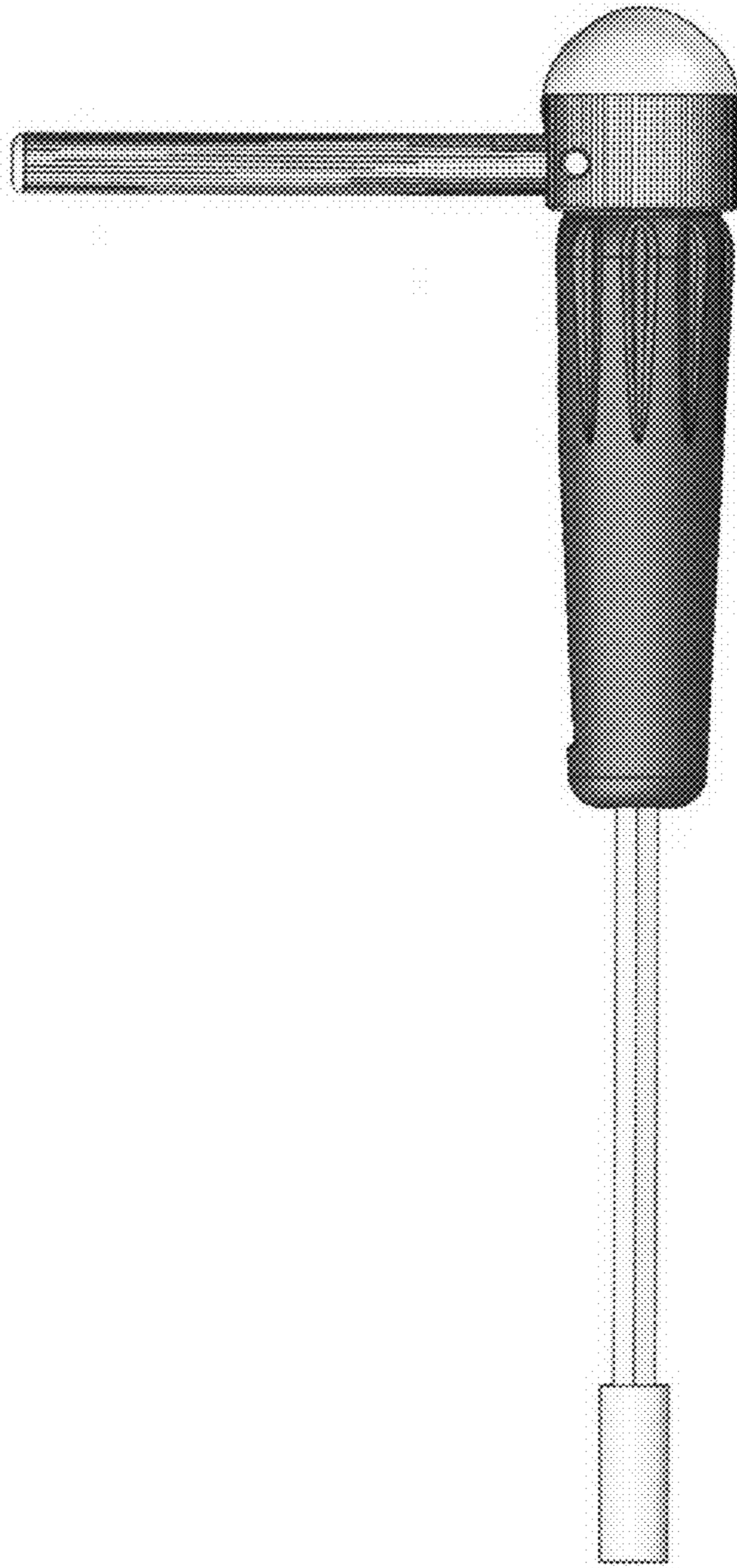


FIGURE 11

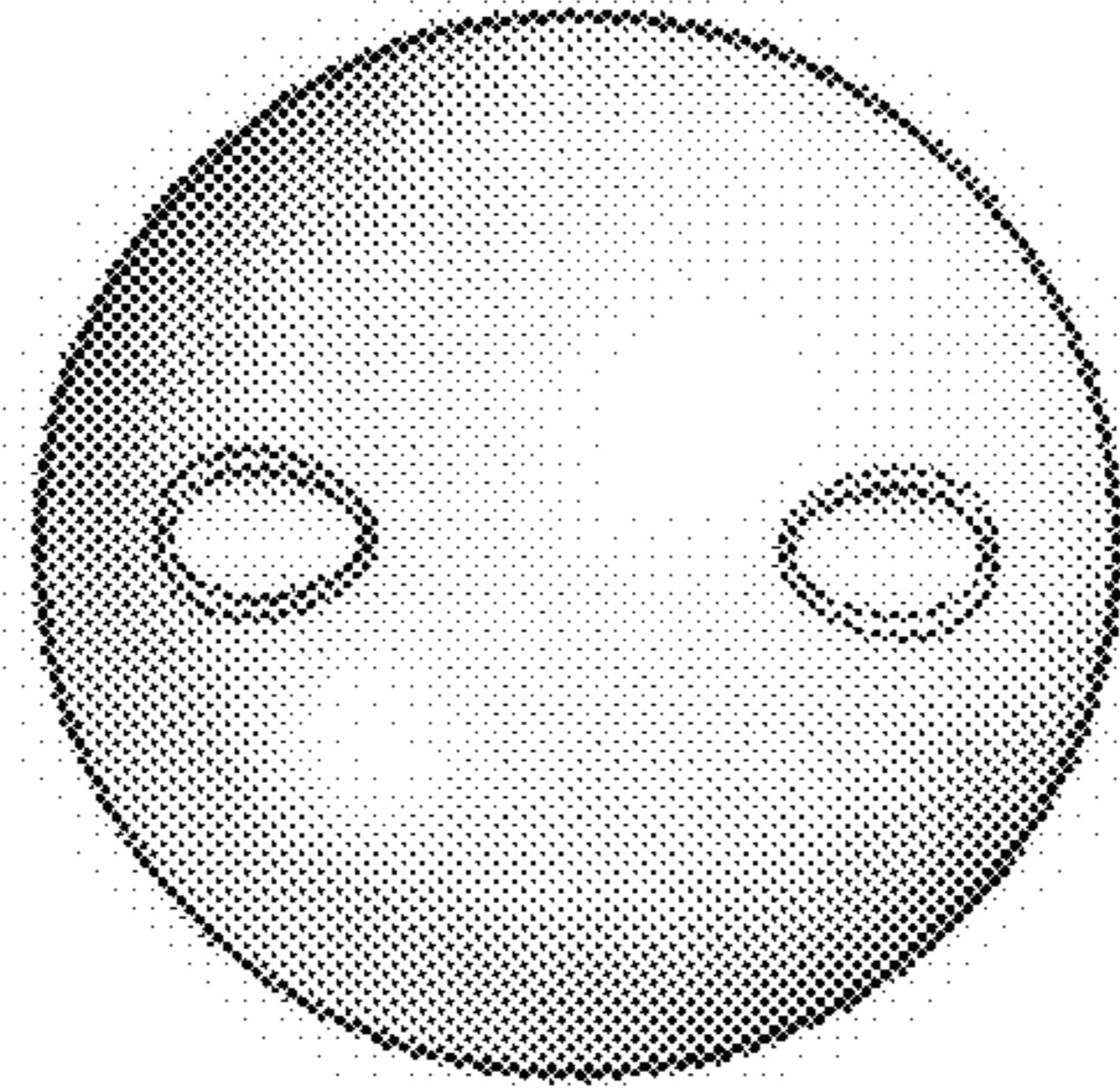


FIGURE 12

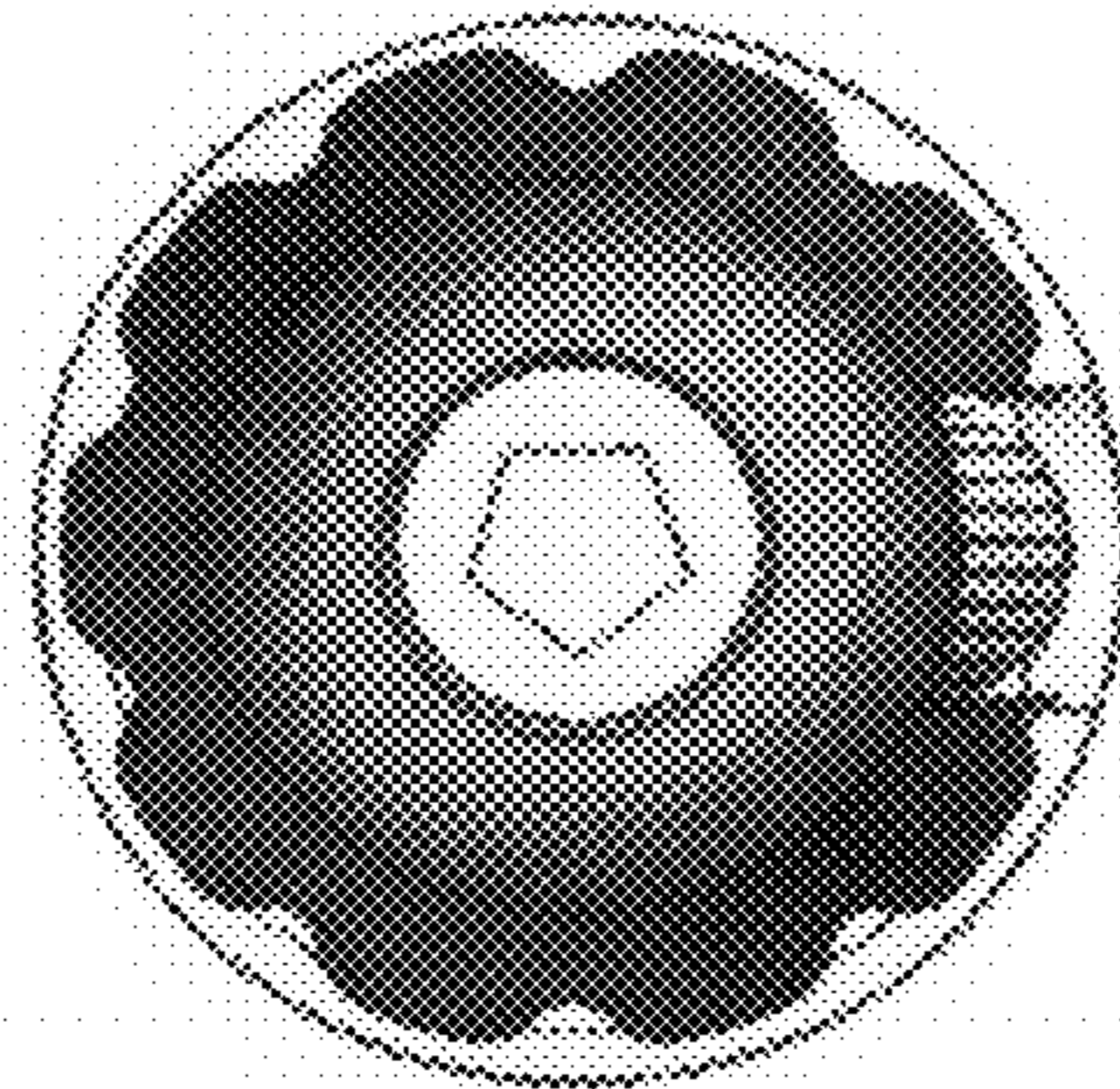


FIGURE 13