



US00D687695S

(12) **United States Design Patent**
Albrecht

(10) **Patent No.:** **US D687,695 S**

(45) **Date of Patent:** **** Aug. 13, 2013**

(54) **NAILER**

(75) Inventor: **Klaus Albrecht**, Bad Oldesloe (DE)

(73) Assignee: **Joh. Friedrich Behrens AG**, Ahrensburg (DE)

(**) Term: **14 Years**

(21) Appl. No.: **29/400,840**

(22) Filed: **Sep. 1, 2011**

(30) **Foreign Application Priority Data**

Mar. 3, 2011	(EM)	001830324-0001
Mar. 3, 2011	(EM)	001830324-0002
Mar. 3, 2011	(EM)	001830324-0003
Mar. 3, 2011	(EM)	001830324-0004

(51) **LOC (9) Cl.** **08-03**

(52) **U.S. Cl.**
USPC **D8/68**

(58) **Field of Classification Search**
None
See application file for complete search history.

(56) **References Cited**

U.S. PATENT DOCUMENTS

6,045,024	A *	4/2000	Phillips	227/130
D435,769	S *	1/2001	Etter et al.	D8/68

(Continued)

FOREIGN PATENT DOCUMENTS

DE	49901498	* 10/1999
DE	40001673	* 6/2000

(Continued)

OTHER PUBLICATIONS

Illinois Tool Works, Inc. T250S-F16 16 Gauge Straight Finish Air Nailer Apr. 2010 Operating Manual And Tool Schematic (See pp. 1 & 5).*

(Continued)

Primary Examiner — Philip S Hyder

Assistant Examiner — Darlington Ly

(74) *Attorney, Agent, or Firm* — Vidas, Arrett & Steinkraus

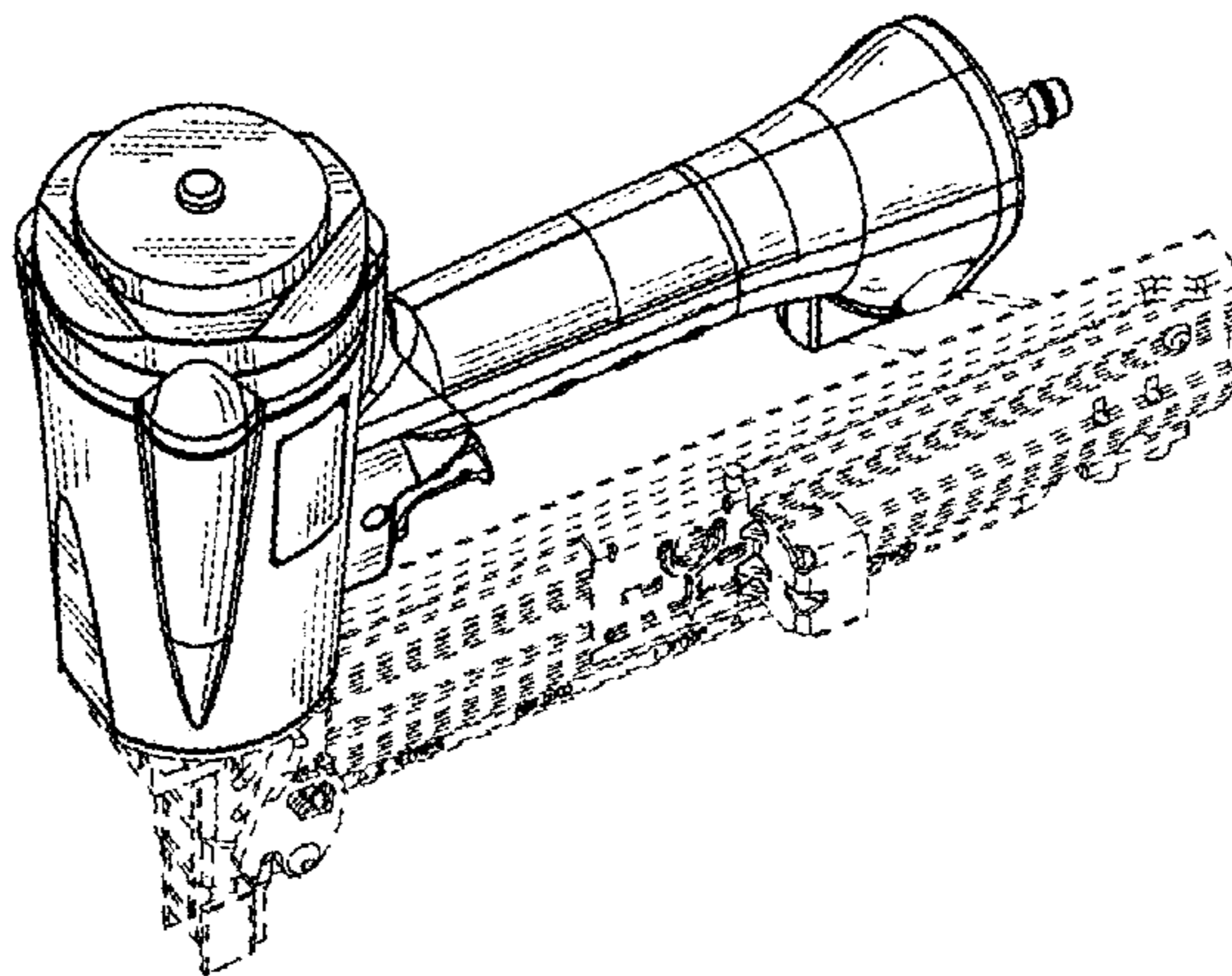
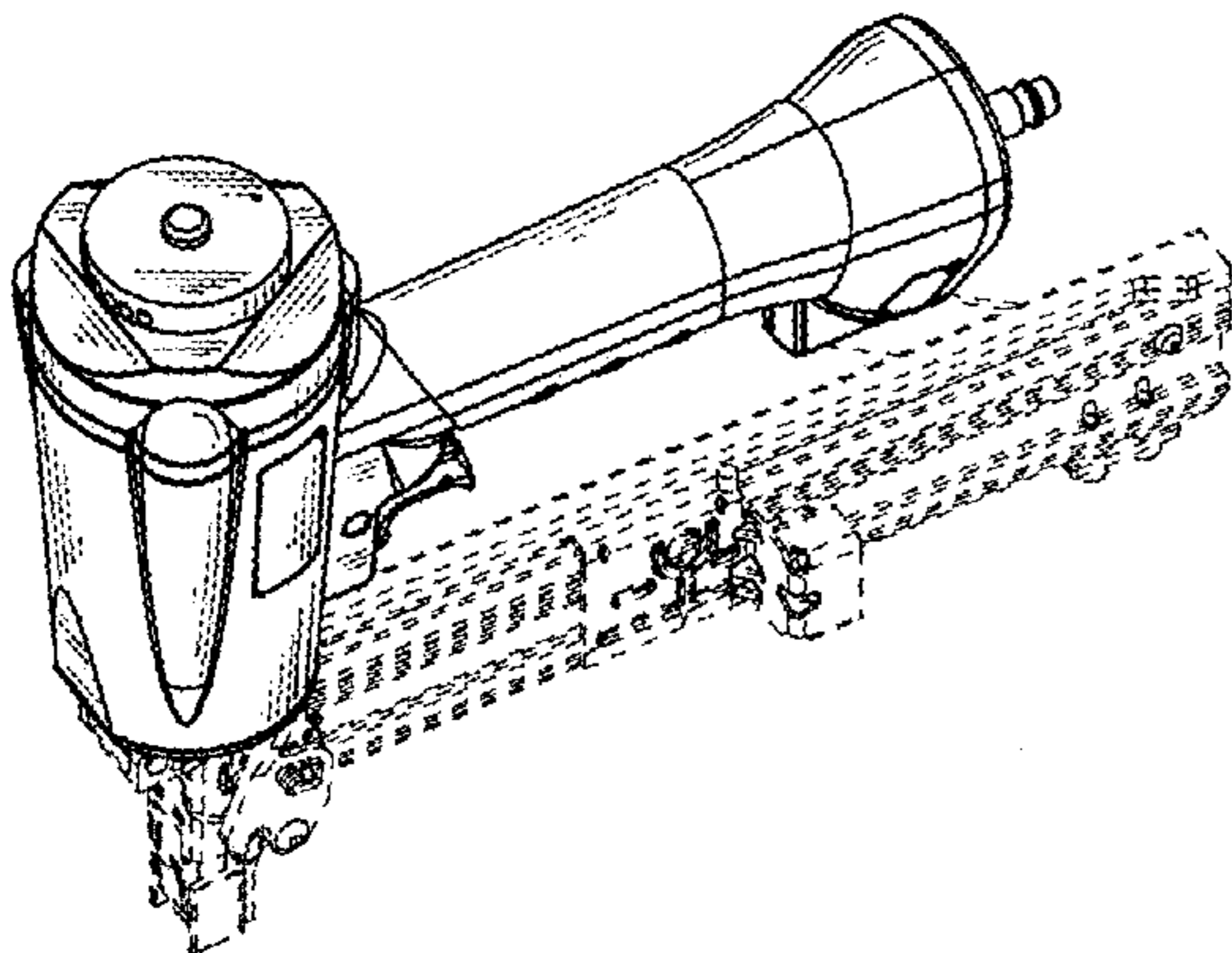
(57) **CLAIM**

The ornamental design for a nailer, is shown and described.

DESCRIPTION

FIG. 1 is a back view of a first embodiment of a nailer.
 FIG. 2 is a bottom view of a first embodiment of a nailer.
 FIG. 3 is a front view of a first embodiment of a nailer.
 FIG. 4 is a perspective view from the top and right side of a first embodiment of a nailer.
 FIG. 5 is a right side view of a first embodiment of a nailer.
 FIG. 6 is a left side view of a first embodiment of a nailer.
 FIG. 7 is an upper view of a first embodiment of a nailer.
 FIG. 8 is a back view of a second embodiment of a nailer.
 FIG. 9 is a bottom view of a second embodiment of a nailer.
 FIG. 10 is a front view of a second embodiment of a nailer.
 FIG. 11 is a perspective view from the top and right side of a second embodiment of a nailer.
 FIG. 12 is a right side view of a second embodiment of a nailer.
 FIG. 13 is a left side view of a second embodiment of a nailer; and,
 FIG. 14 is an upper view of a second embodiment of a nailer.
 In each of FIGS. 1-14, broken lines illustrate portions of the nailer that form no part of the design.

1 Claim, 4 Drawing Sheets



(56)

References Cited

U.S. PATENT DOCUMENTS

D475,597 S * 6/2003 Arai D8/68
D478,490 S * 8/2003 Wu D8/68
D479,110 S * 9/2003 Nolan et al. D8/68
6,913,180 B2 * 7/2005 Schuster 227/109
D512,622 S * 12/2005 Thomas D8/69
D553,931 S * 10/2007 Buck D8/68
7,284,685 B1 * 10/2007 Wojcicki 227/119
7,413,105 B1 * 8/2008 Ho et al. 227/120
7,516,532 B2 * 4/2009 Wojcicki 29/428
2006/0118591 A1 * 6/2006 Ho 227/8
2009/0050668 A1 * 2/2009 Jian 227/126

FOREIGN PATENT DOCUMENTS

DE 40506488 * 6/2006
DE 40600123 * 6/2006
JP 2002346948 A * 12/2002
WO WO 2008023590 A1 * 2/2008

OTHER PUBLICATIONS

Hitachi Finish Nailer NT65A3 Jun. 2011 Hitachi Power Tools 2011-
2012 (Catalog).*

* cited by examiner

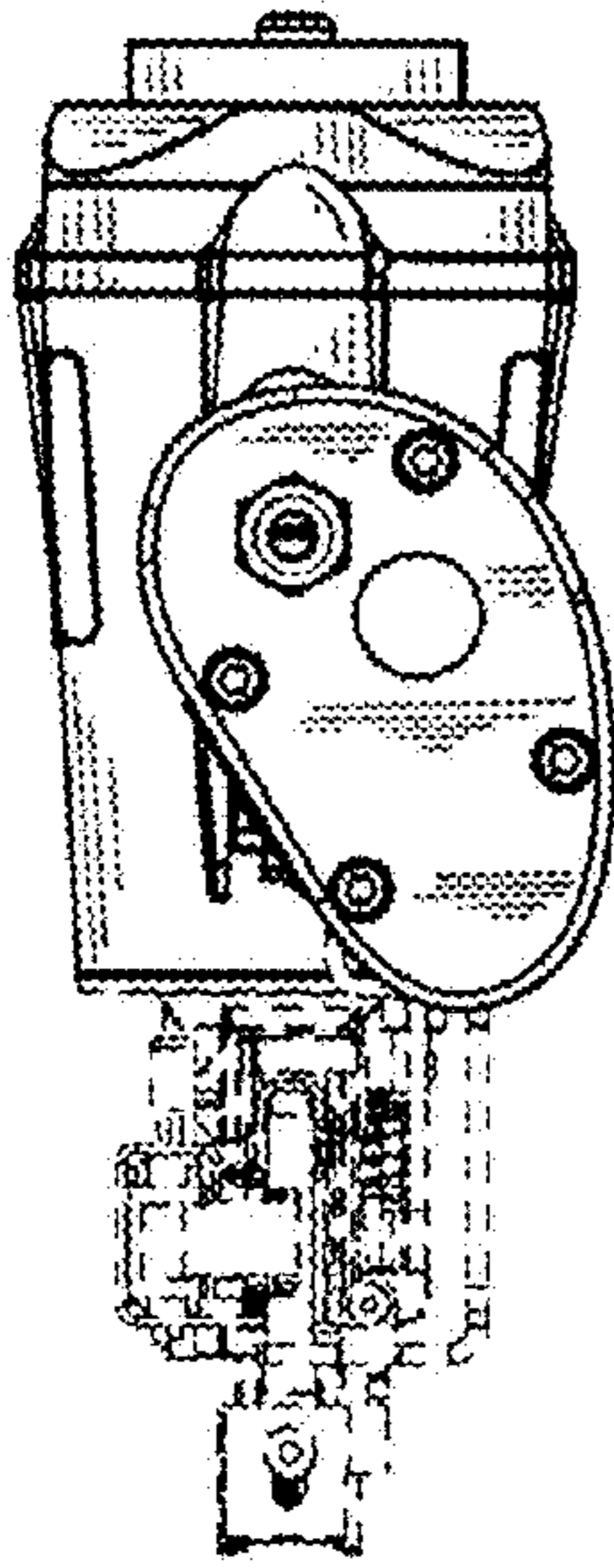


Fig. 1

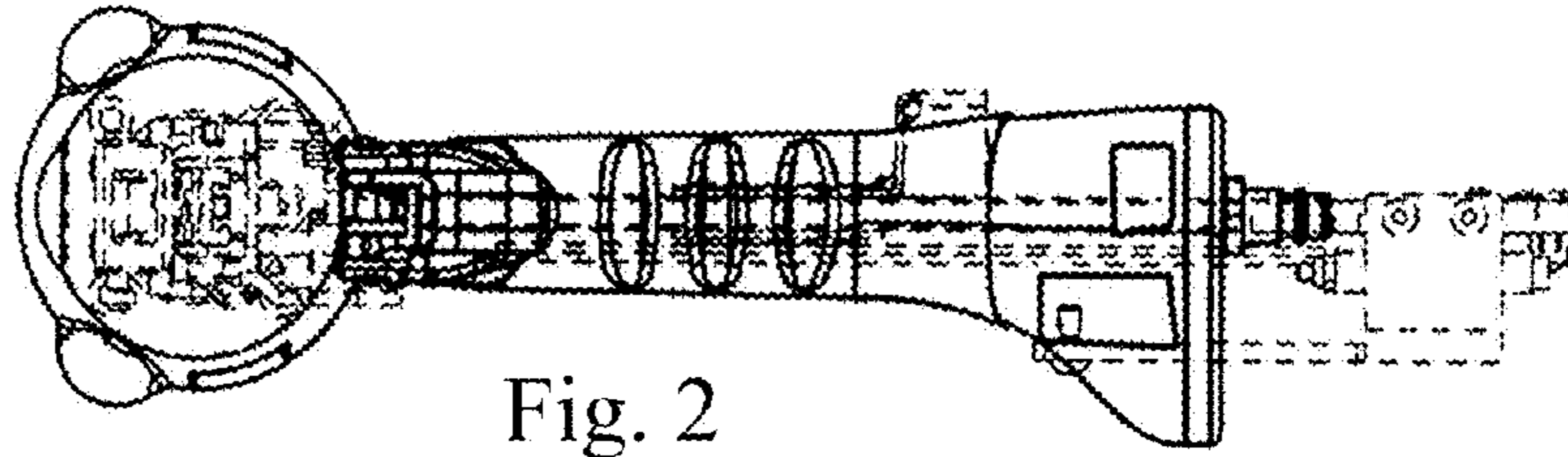


Fig. 2

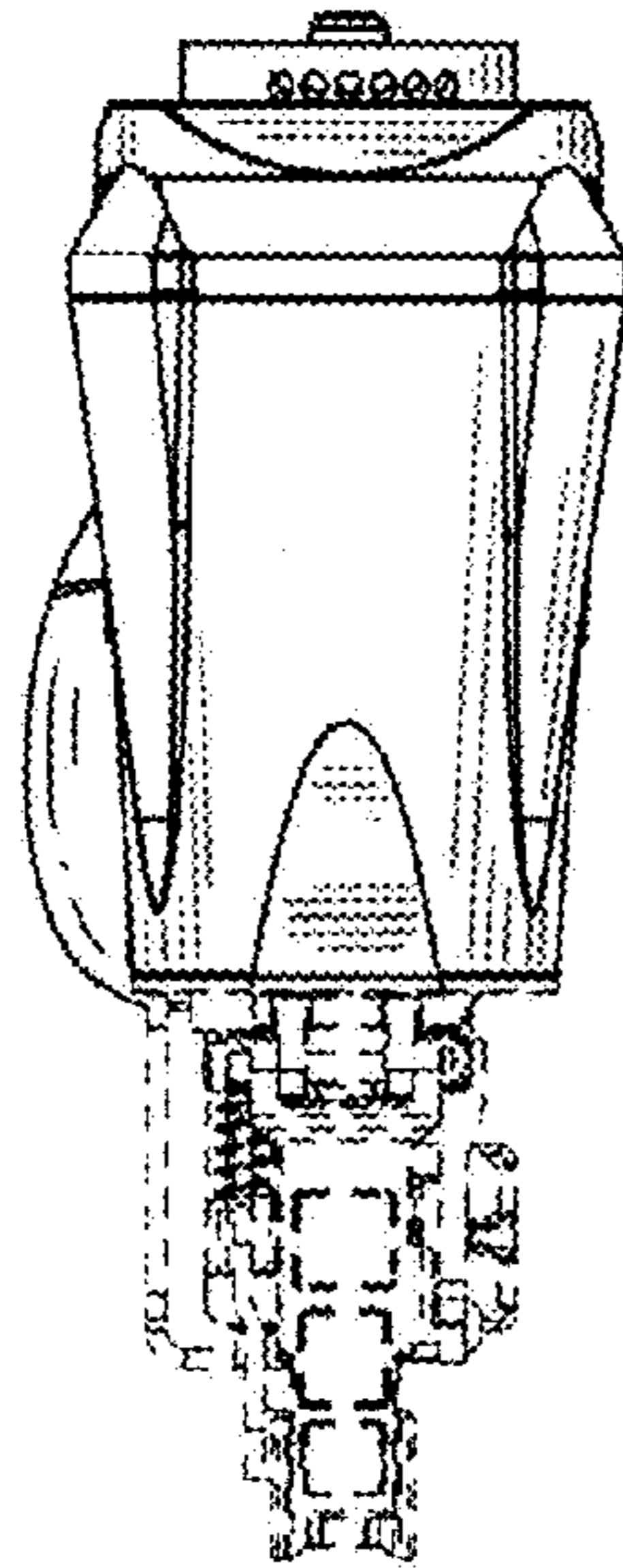


Fig. 3

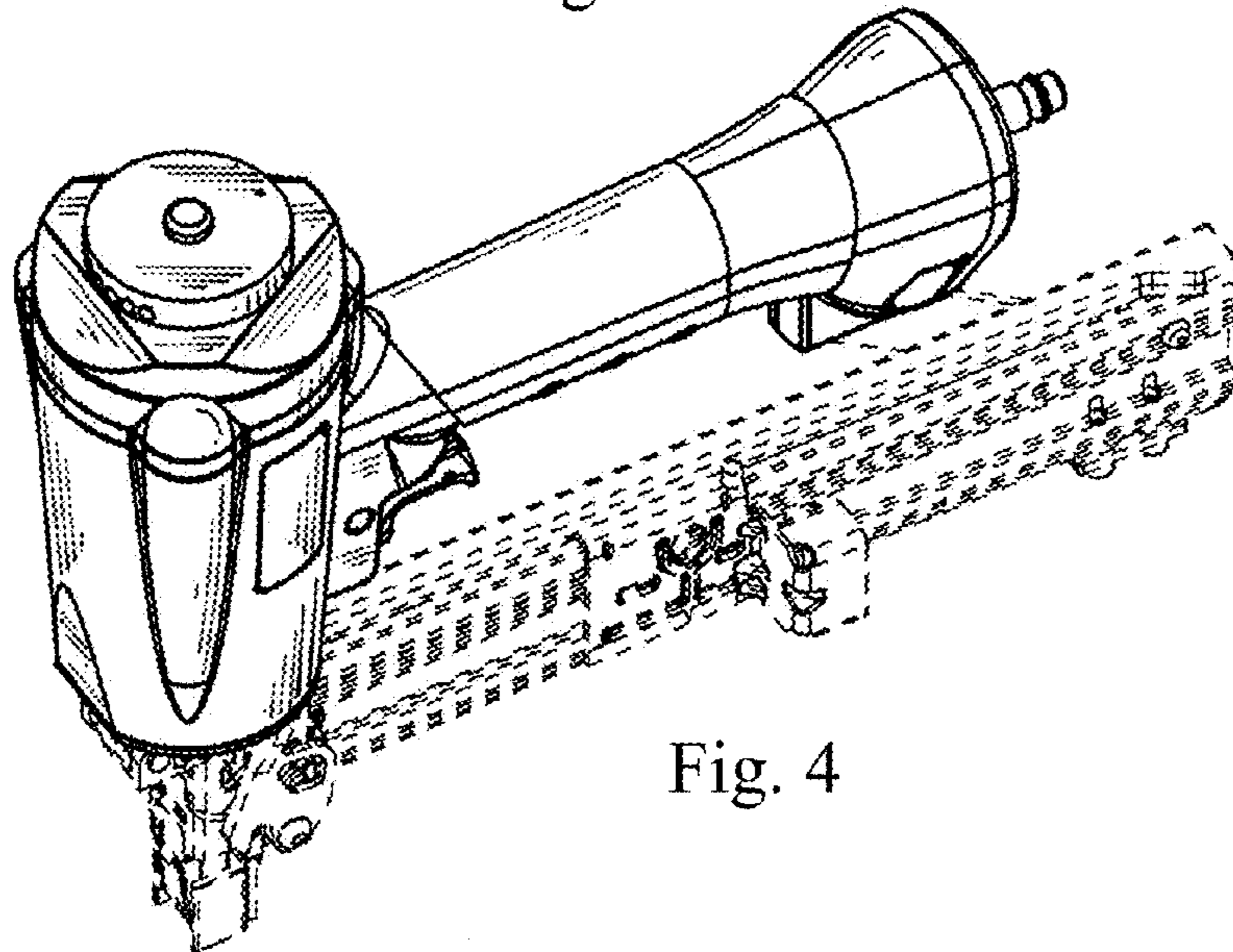
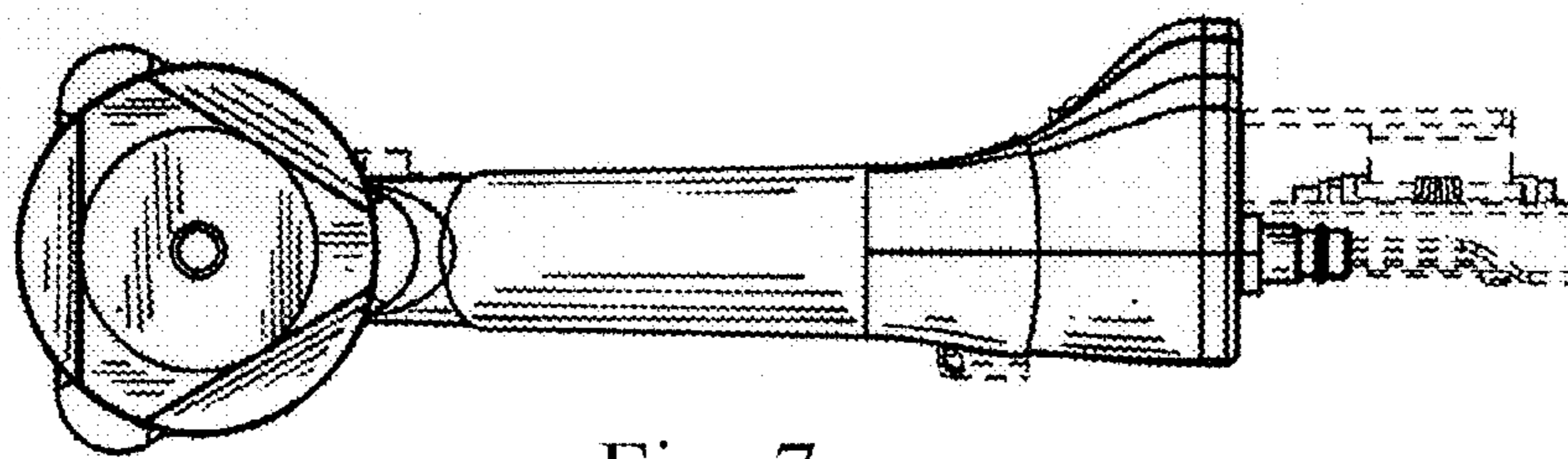
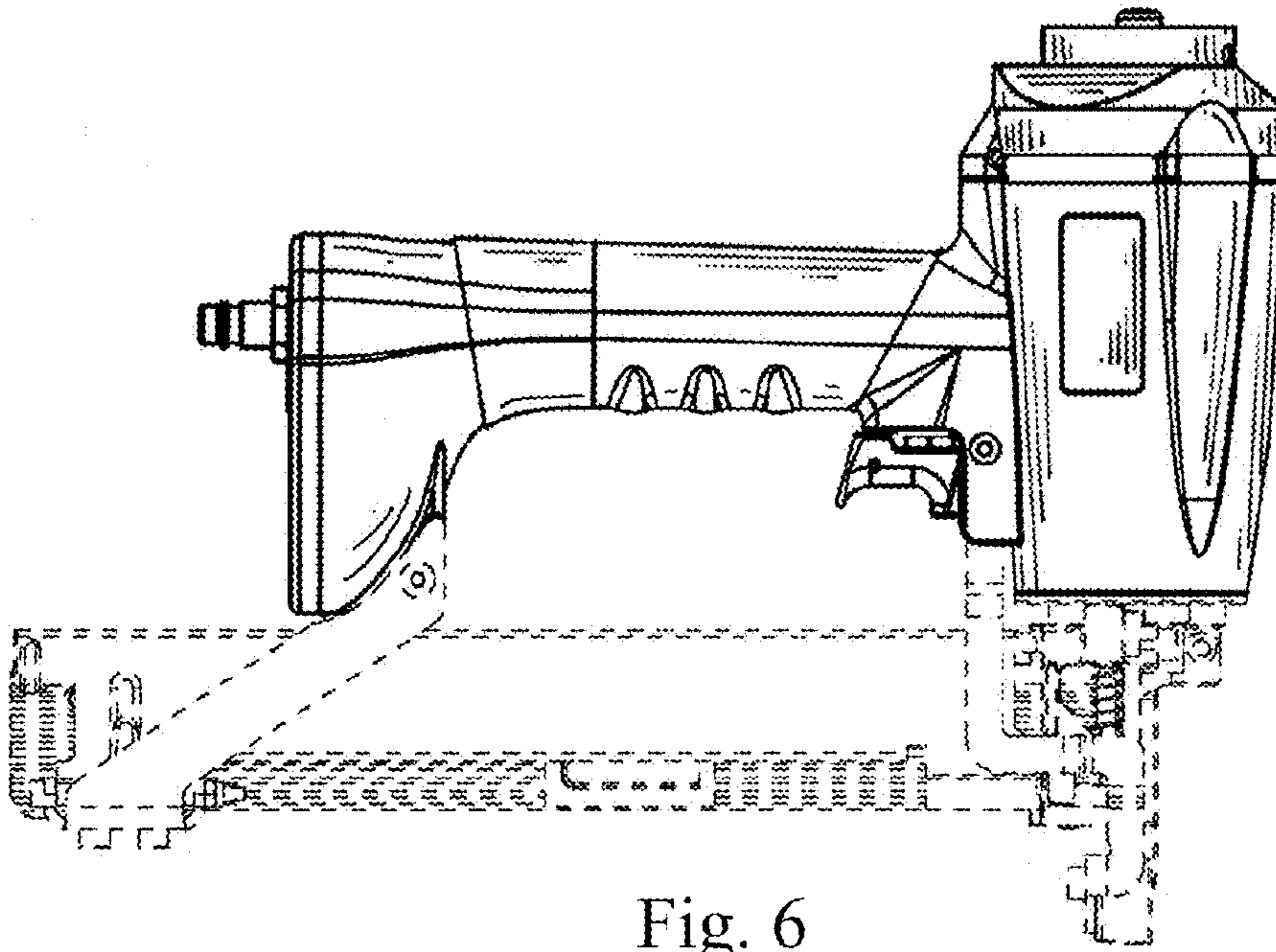
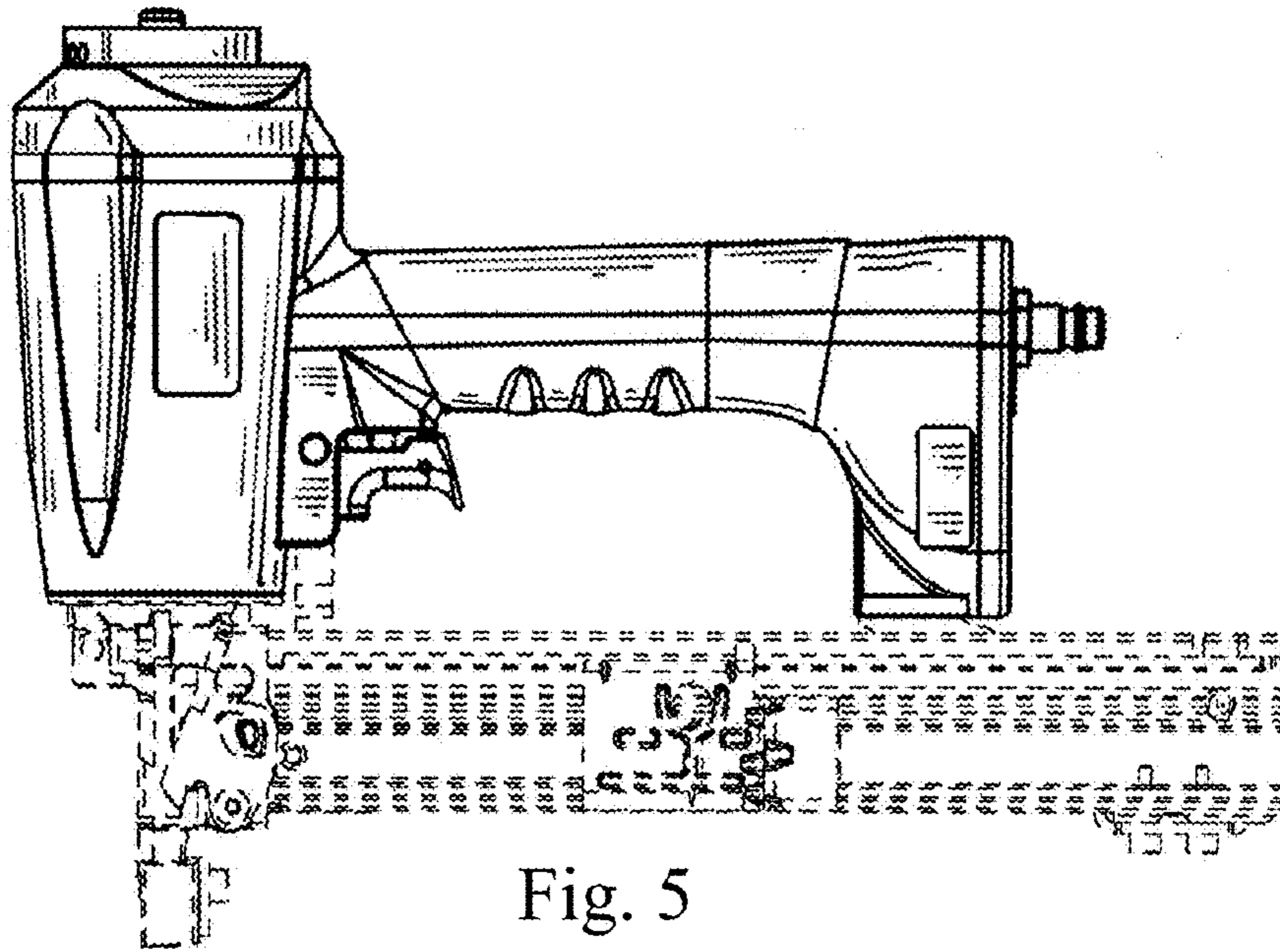


Fig. 4



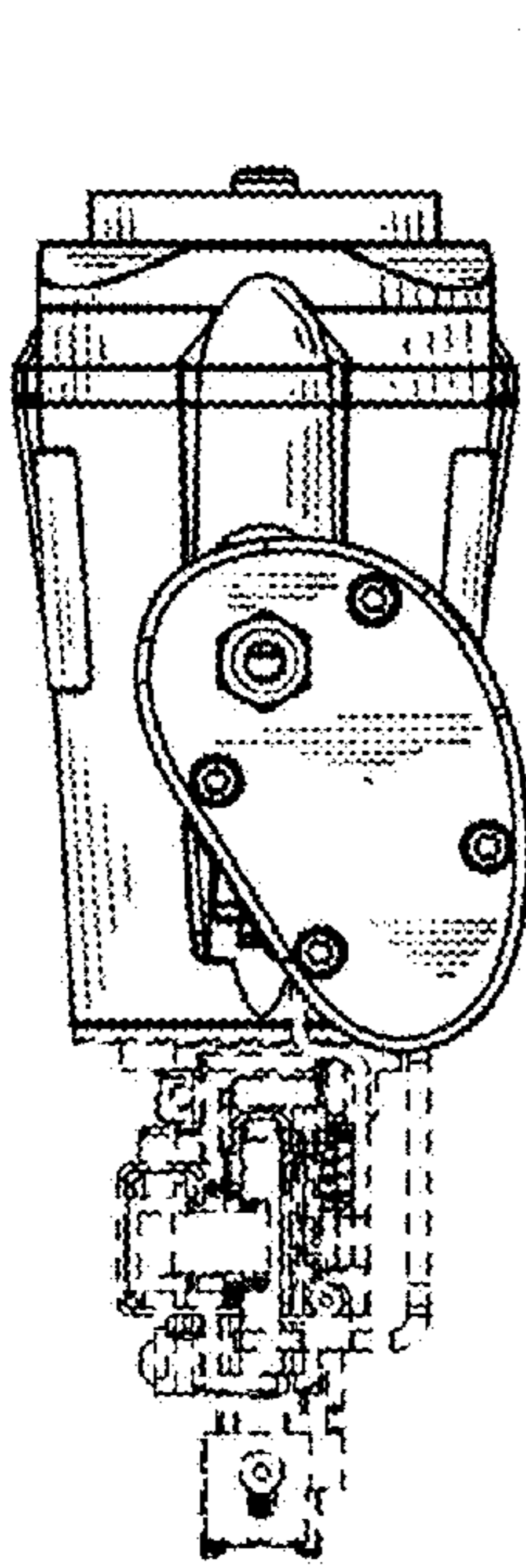


Fig. 8

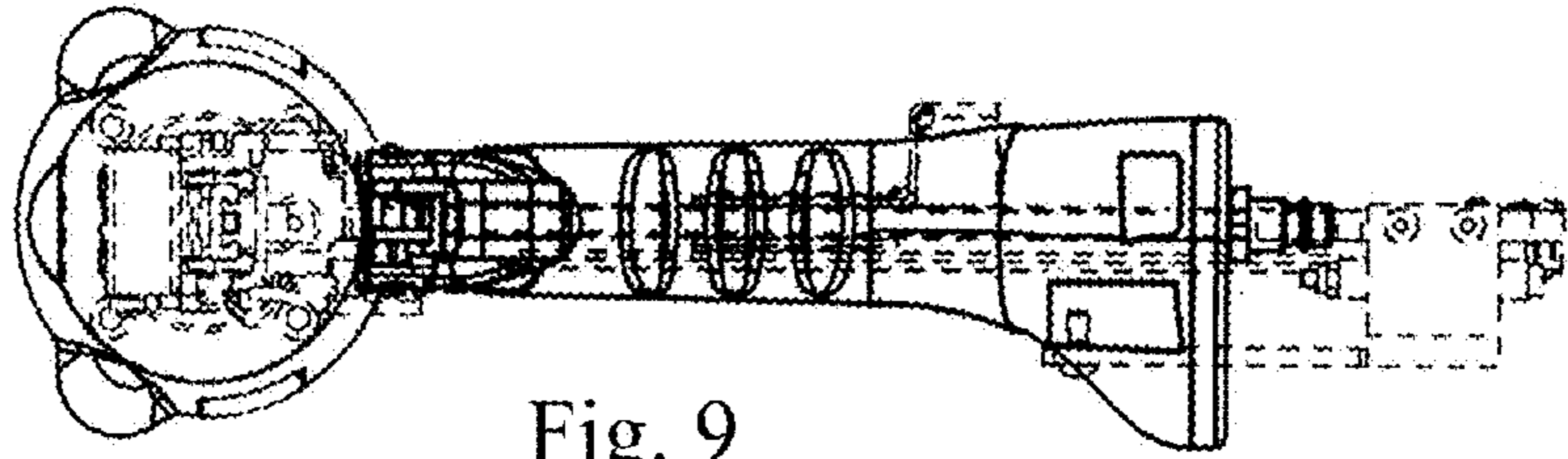


Fig. 9

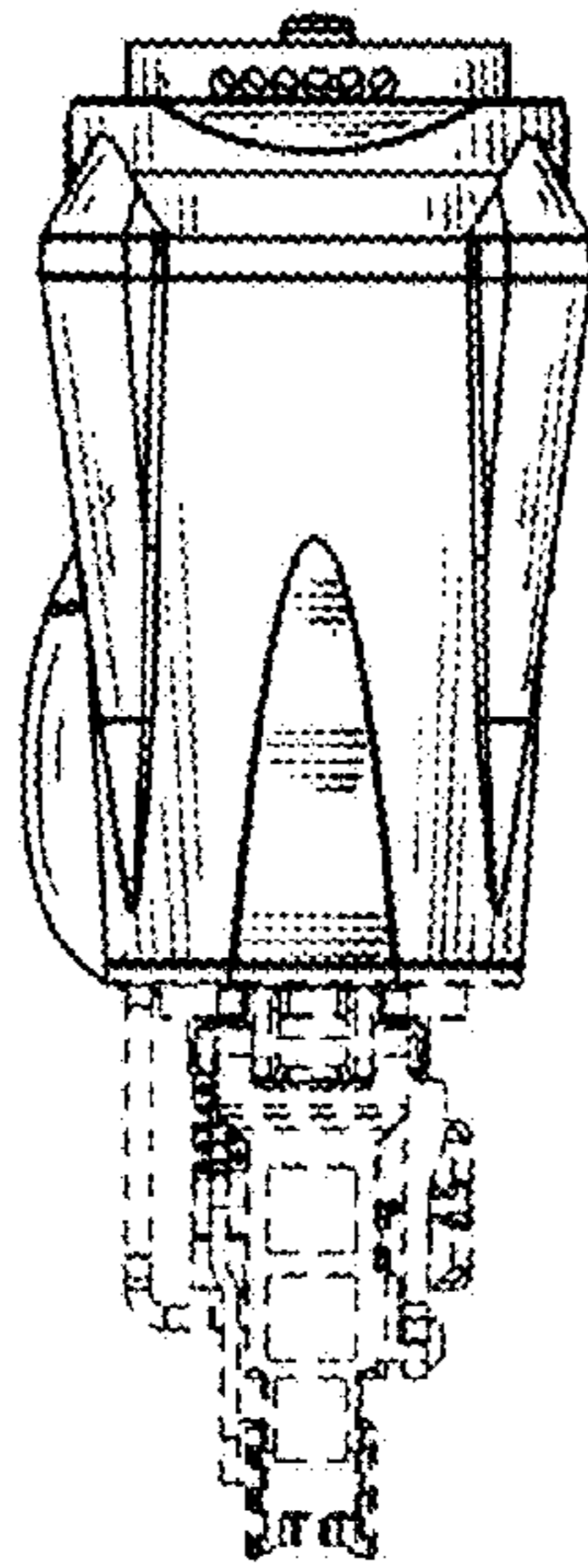


Fig. 10

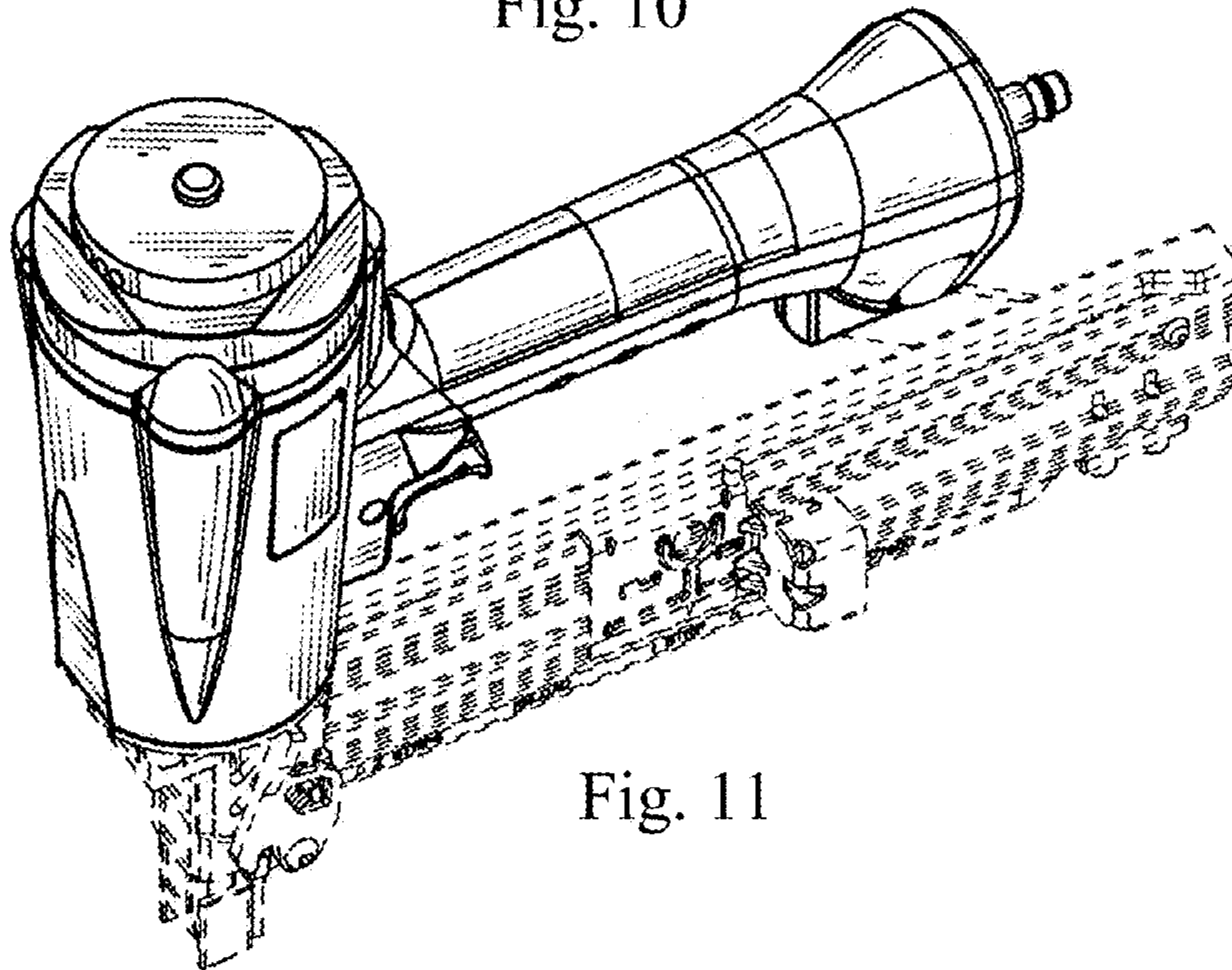


Fig. 11

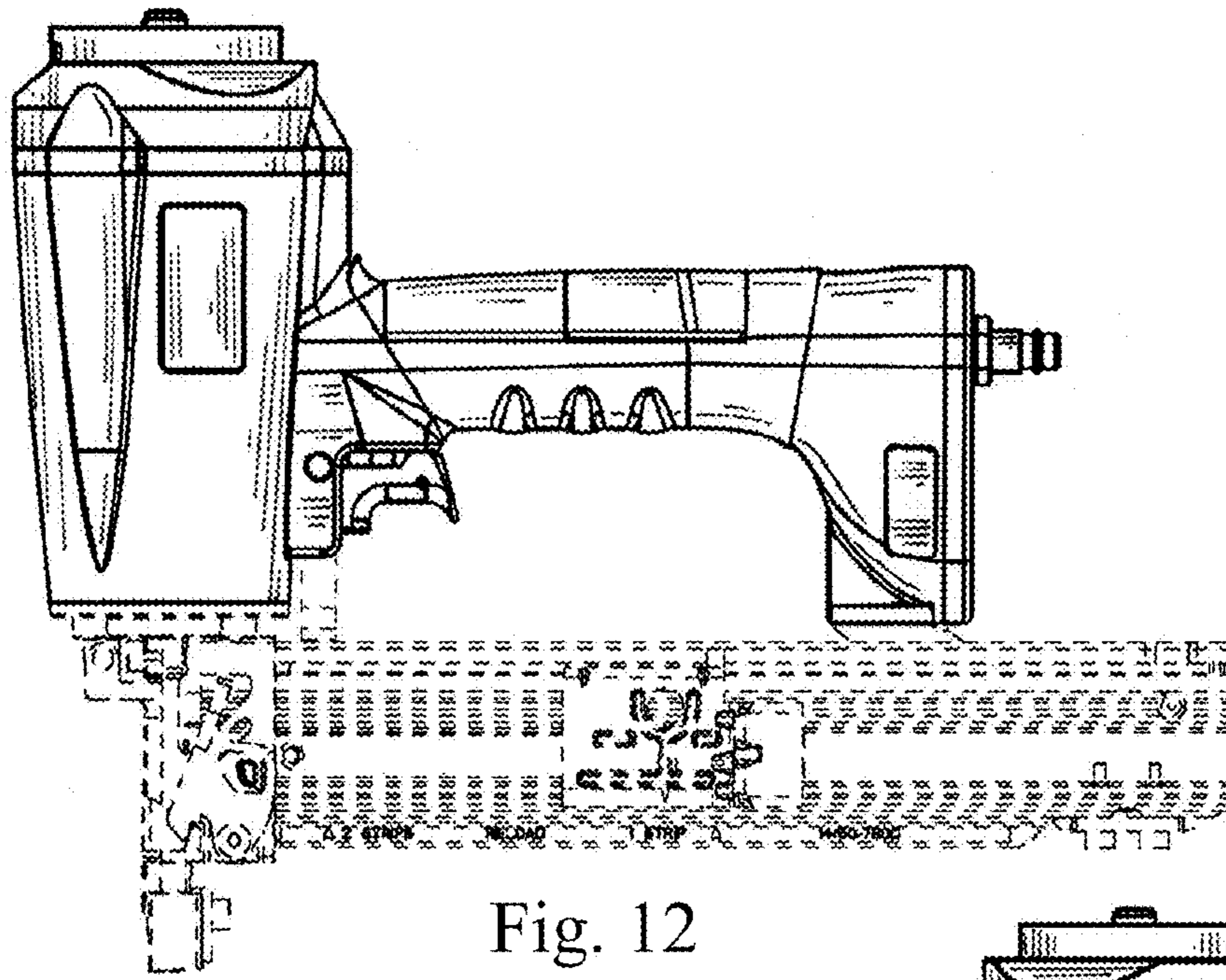


Fig. 12

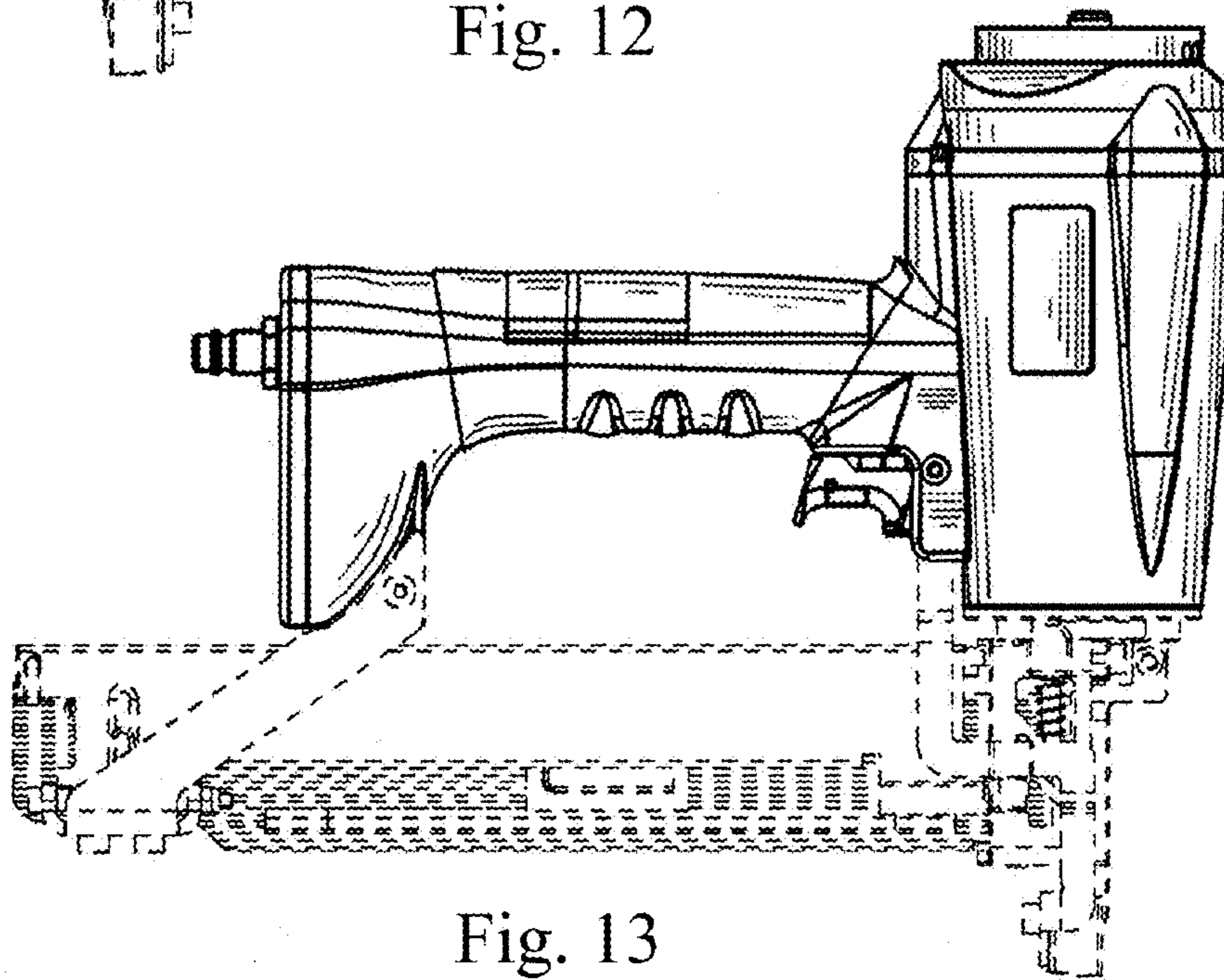


Fig. 13

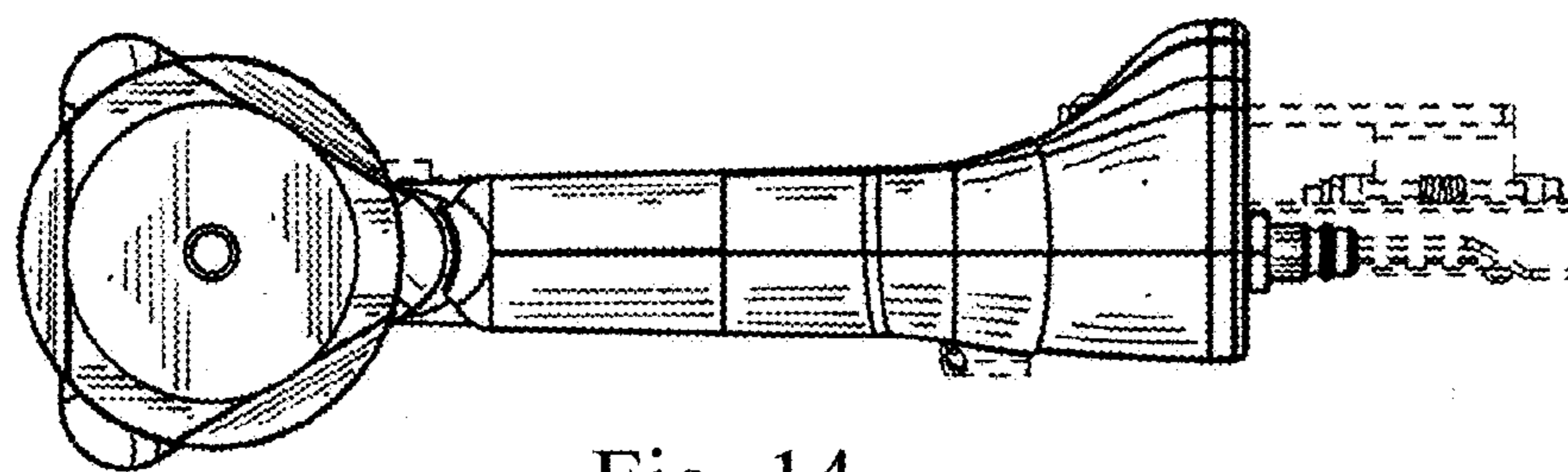


Fig. 14