



US00D687694S

(12) **United States Design Patent**
Lin

(10) **Patent No.:** **US D687,694 S**

(45) **Date of Patent:** **** Aug. 13, 2013**

(54) **PLIER DEVICE**

(76) Inventor: **Hung Wei Lin**, Taichung (TW)

(**) Term: **14 Years**

(21) Appl. No.: **29/421,513**

(22) Filed: **Aug. 6, 2012**

Related U.S. Application Data

(63) Continuation-in-part of application No. 13/317,182, filed on Oct. 12, 2011, now abandoned.

(51) **LOC (9) Cl.** **08-05**

(52) **U.S. Cl.**
USPC **D8/58**; D24/143

(58) **Field of Classification Search**
USPC D24/143, 133, 146-148; D8/52, D8/72, 58, 394; 81/318, 325, 328, 331, 419-420, 424, 427.5, 81/440, 333; 606/205, 207
See application file for complete search history.

(56) **References Cited**

U.S. PATENT DOCUMENTS

715,014 A * 12/1902 Burgess 81/333
2,630,729 A * 3/1953 Arner 81/333
D251,769 S * 5/1979 Dobias D8/58

D400,414 S * 11/1998 Wilson et al. D8/58
6,023,805 A * 2/2000 Lin 81/318
D481,623 S * 11/2003 Chen D8/394
D597,811 S * 8/2009 Yu D8/52
8,393,254 B2 * 3/2013 Gao 81/420

* cited by examiner

Primary Examiner — Wan Laymon

(74) *Attorney, Agent, or Firm* — Charles E. Baxley

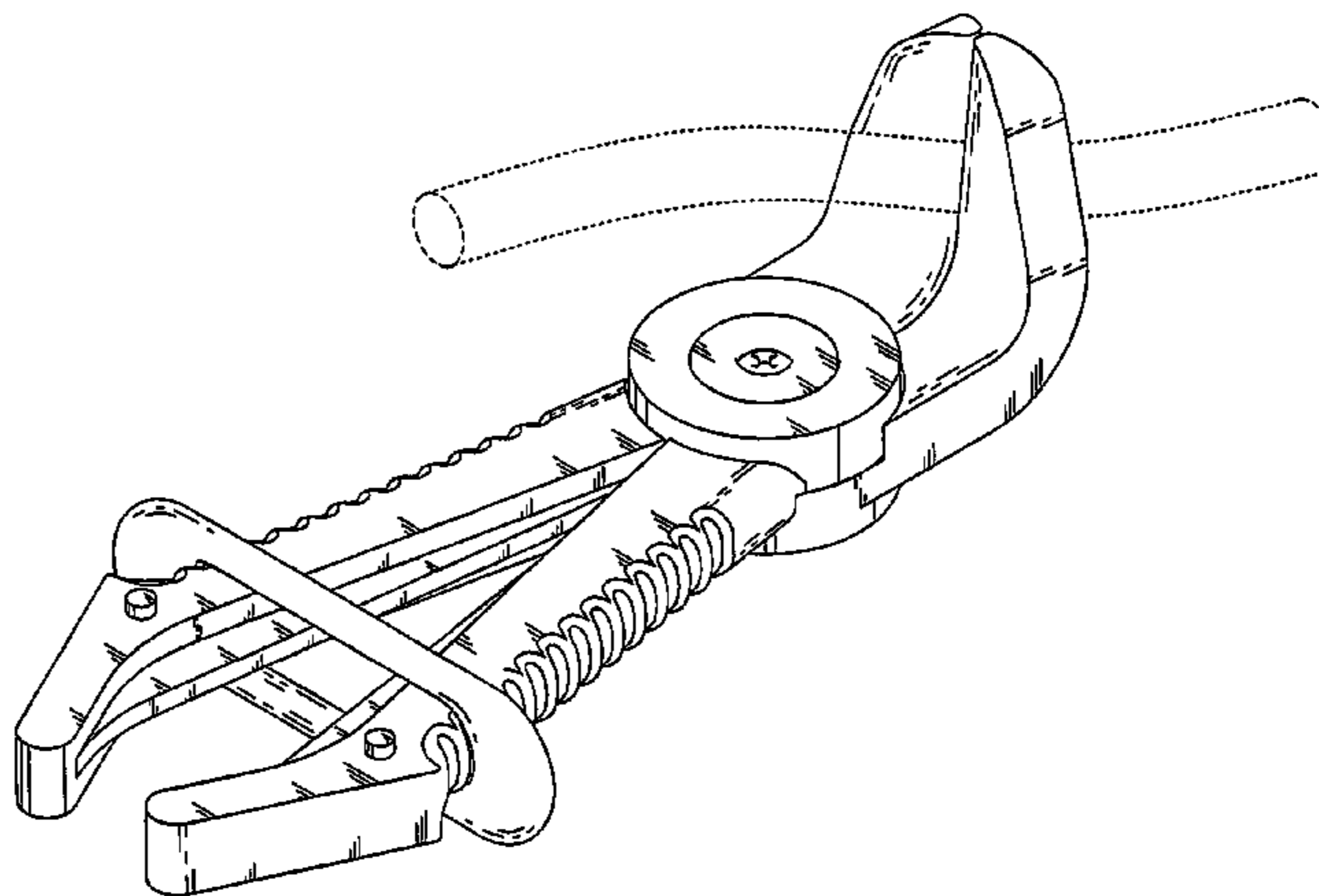
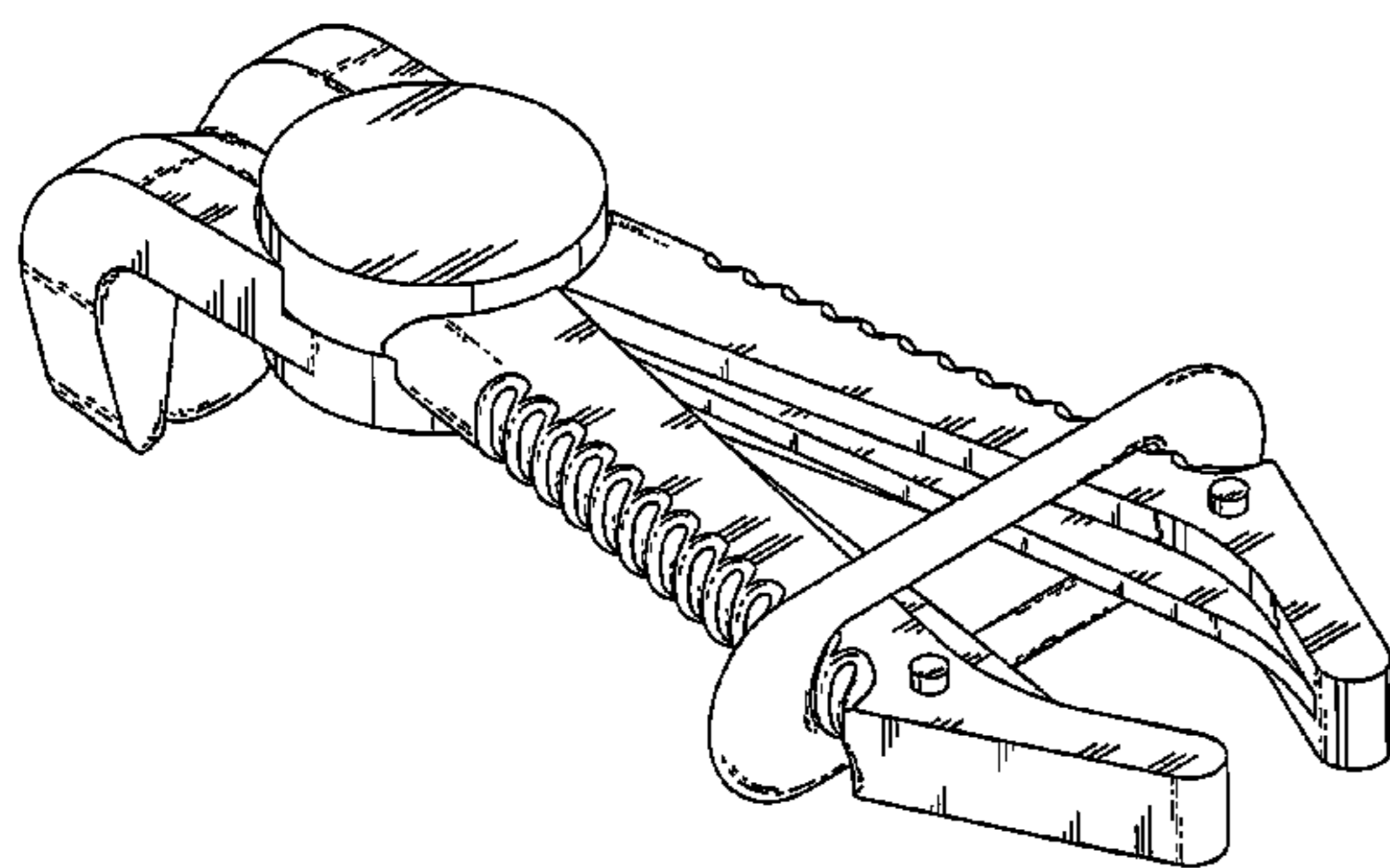
(57) **CLAIM**

The ornamental design for a plier device, as shown and described.

DESCRIPTION

FIG. 1 is a top perspective view of a plier device showing my new design;
FIG. 2 is a front elevational view thereof;
FIG. 3 is a rear elevational view thereof;
FIG. 4 is a top plan view thereof;
FIG. 5 is a bottom plan view thereof;
FIG. 6 is a left side elevational view thereof;
FIG. 7 is a right side elevational view thereof;
FIG. 8 is a bottom perspective view thereof; and,
FIG. 9 is a bottom perspective view thereof, the wire or cable depicted by means of broken lines being for illustrative purposes only and forming no part of the claimed design.

1 Claim, 7 Drawing Sheets



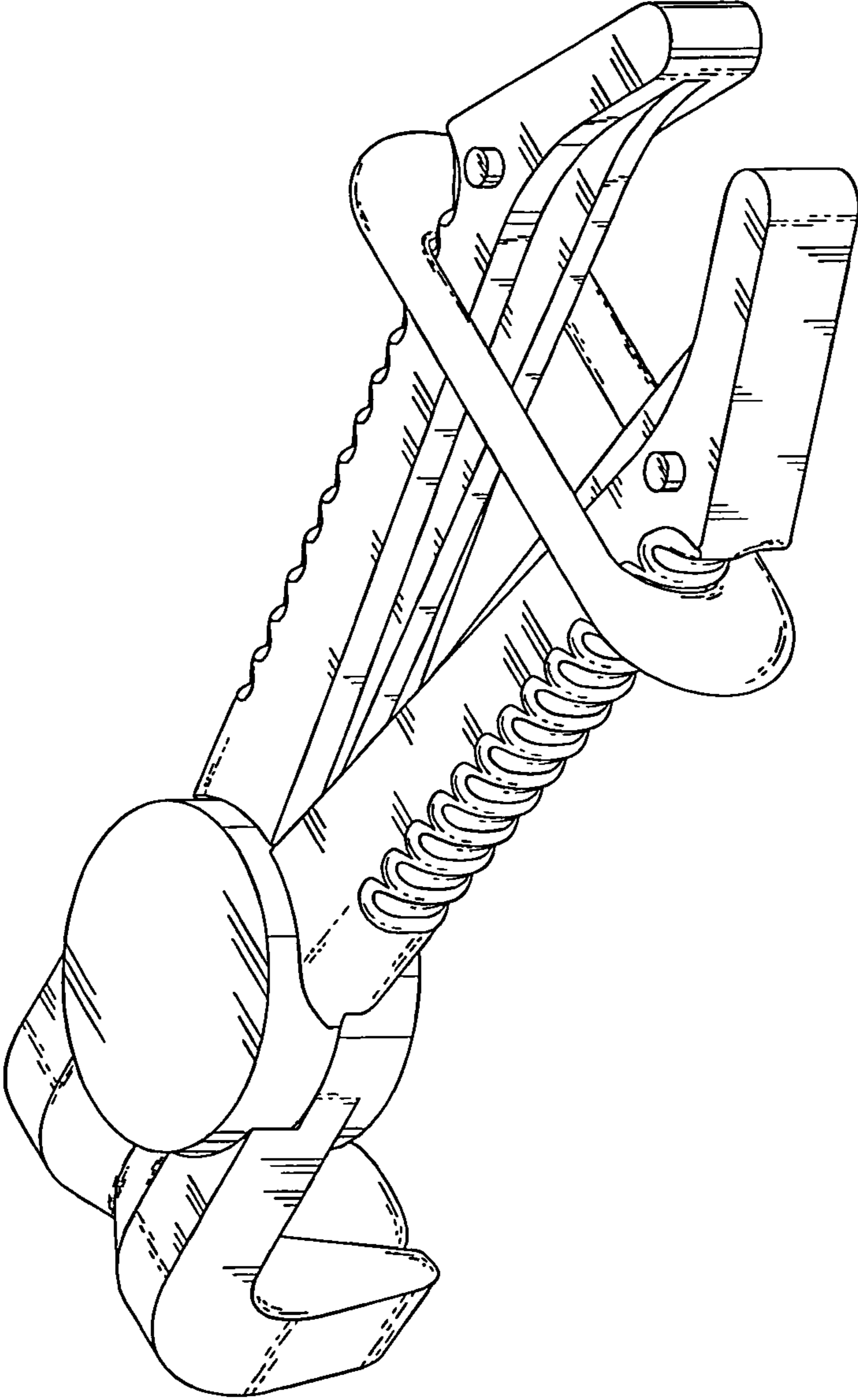


FIG. 1

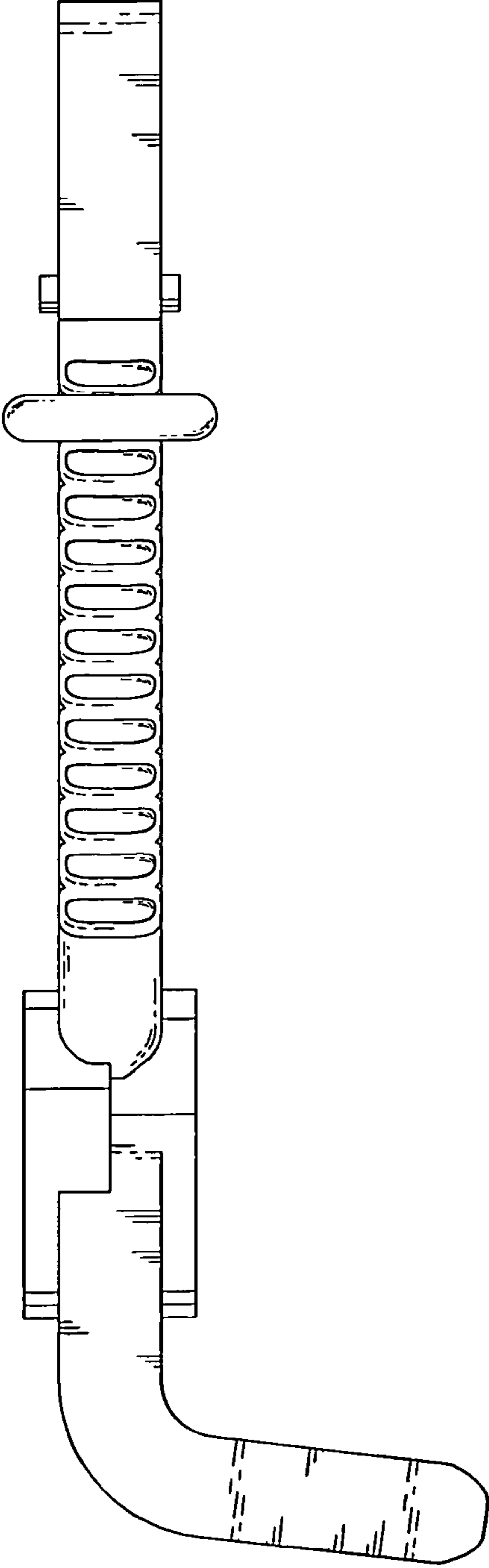


FIG. 2

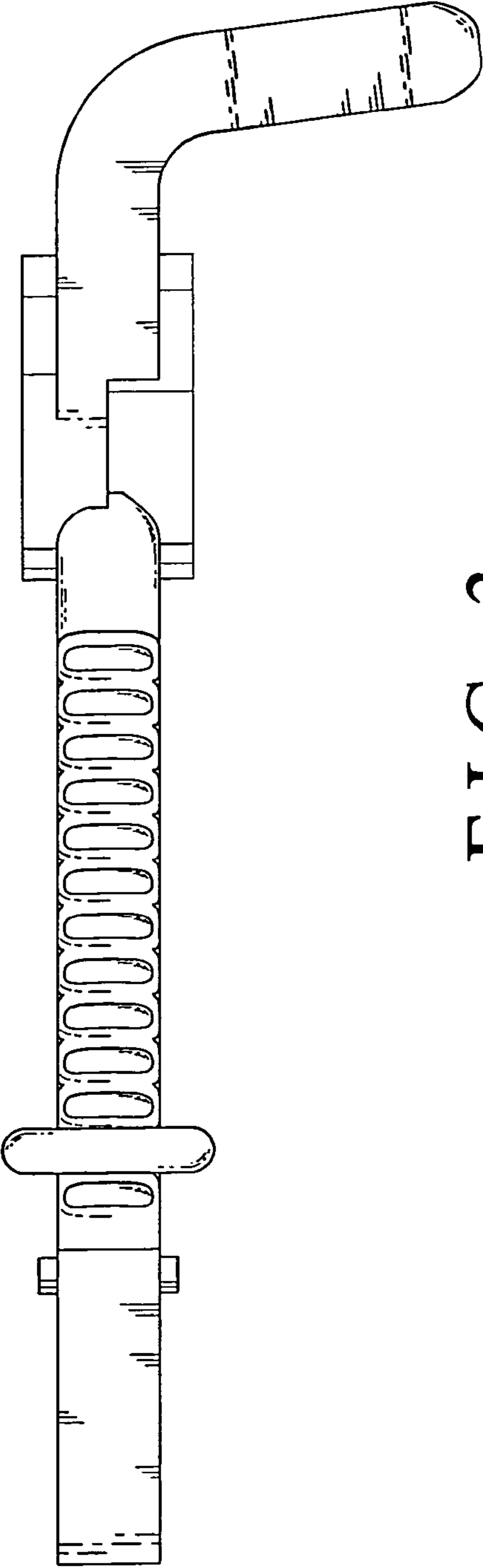


FIG. 3

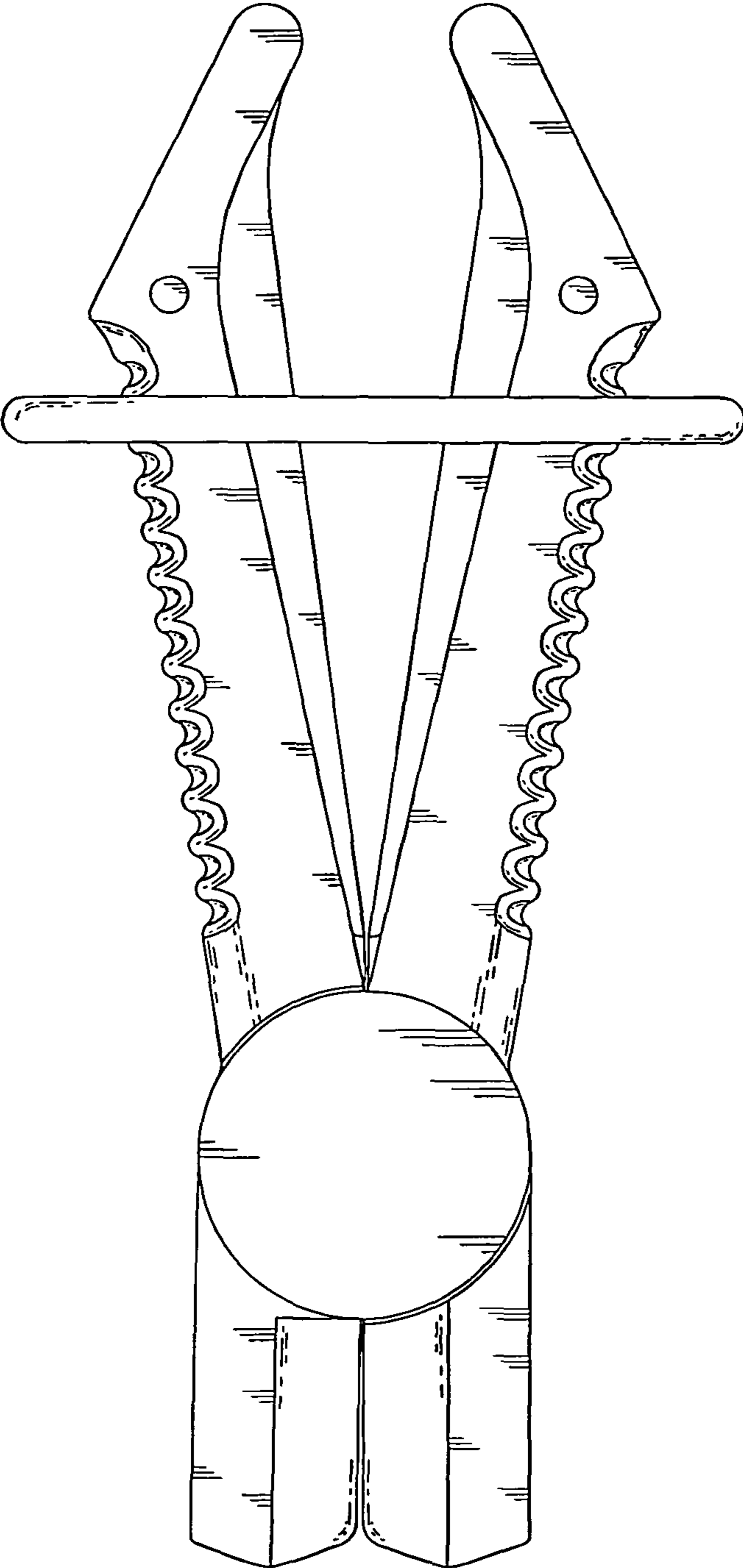


FIG. 4

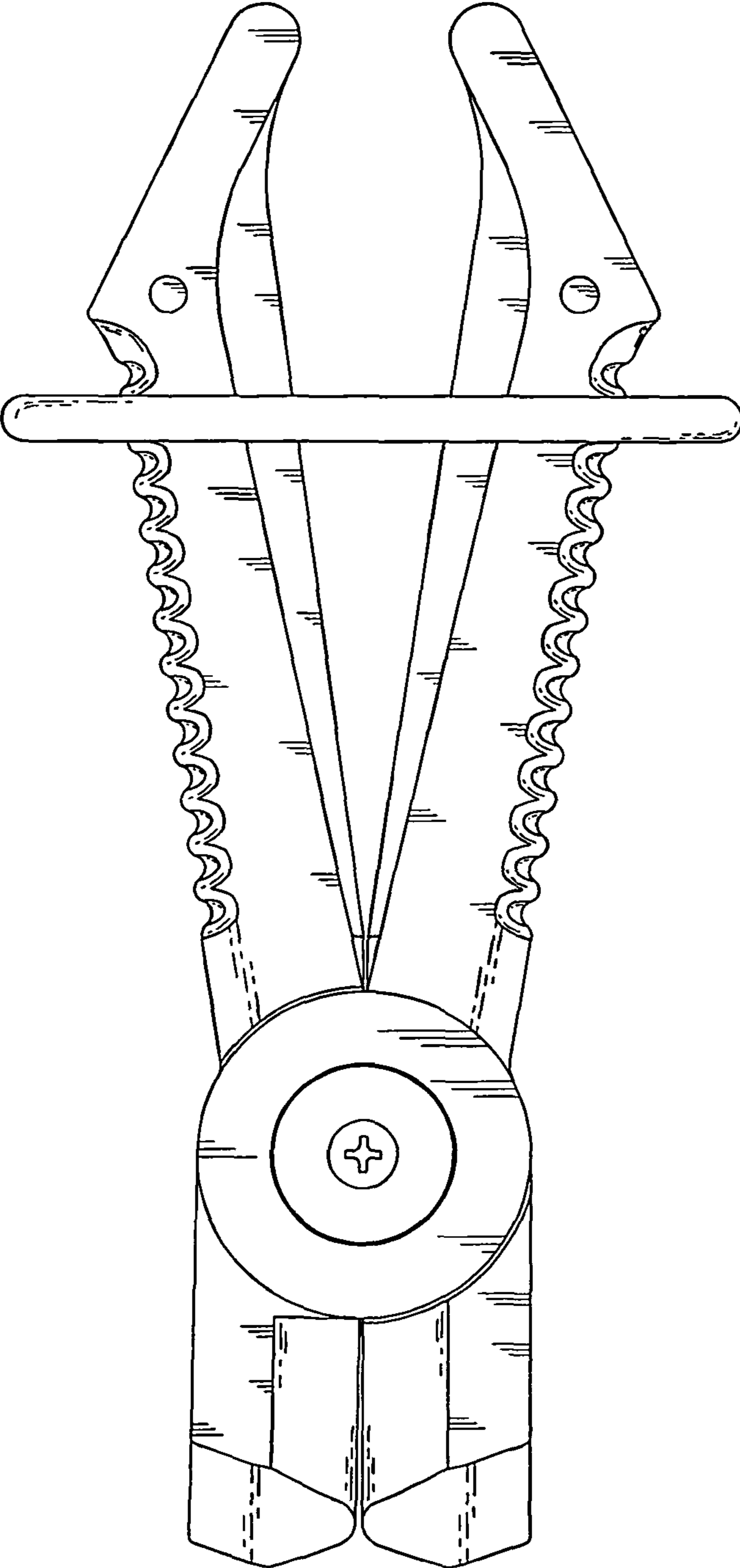


FIG. 5

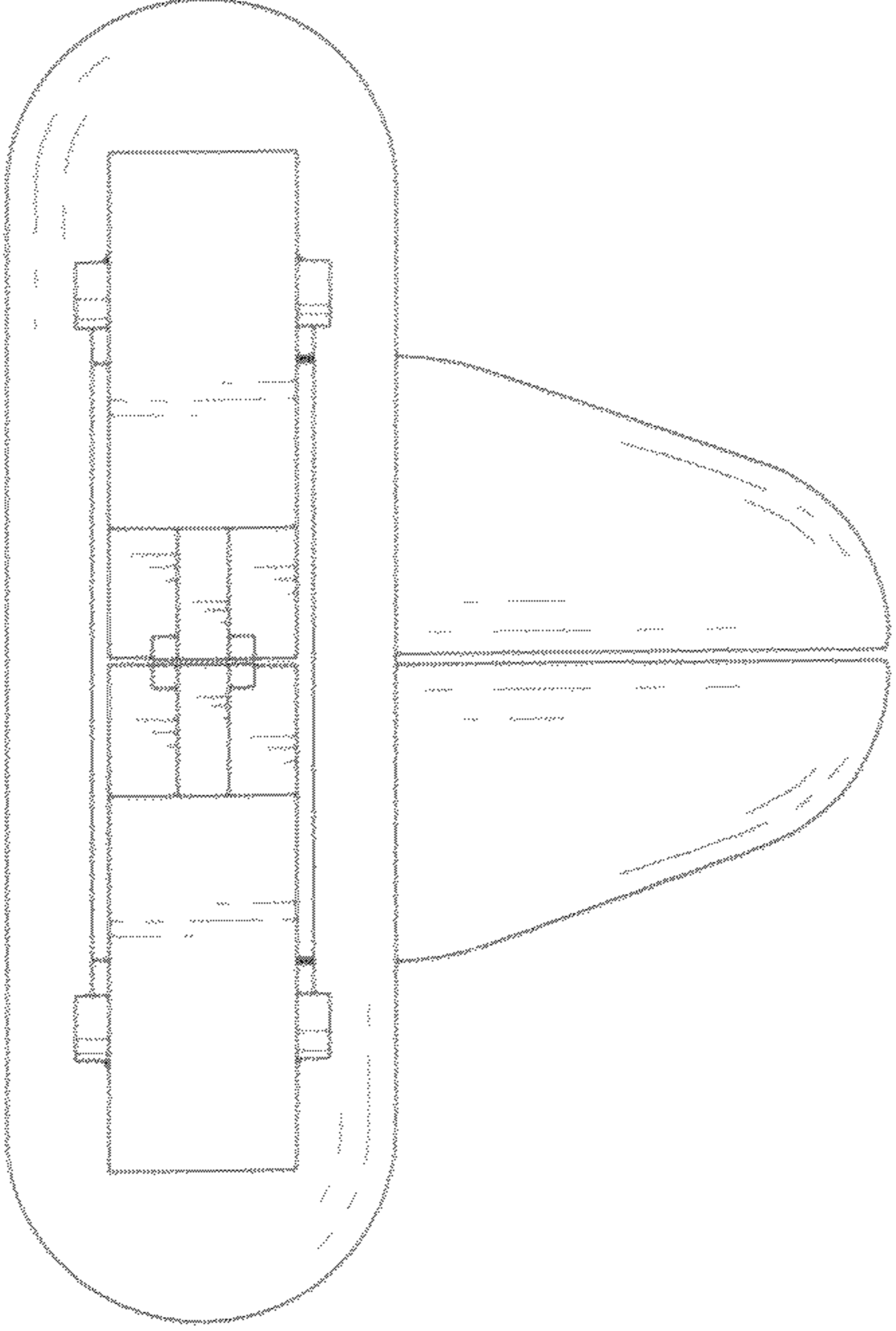


FIG. 6

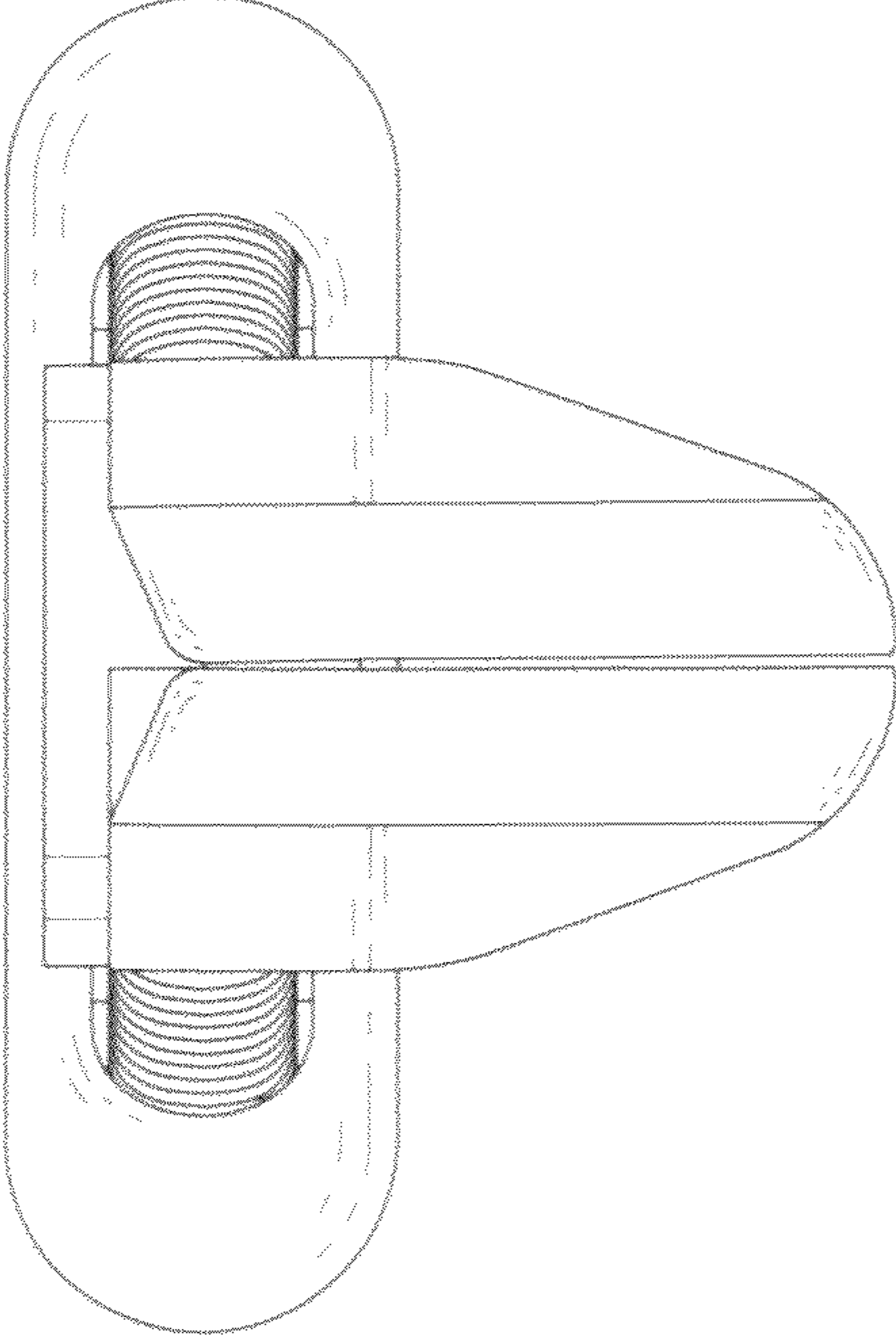


FIG. 7

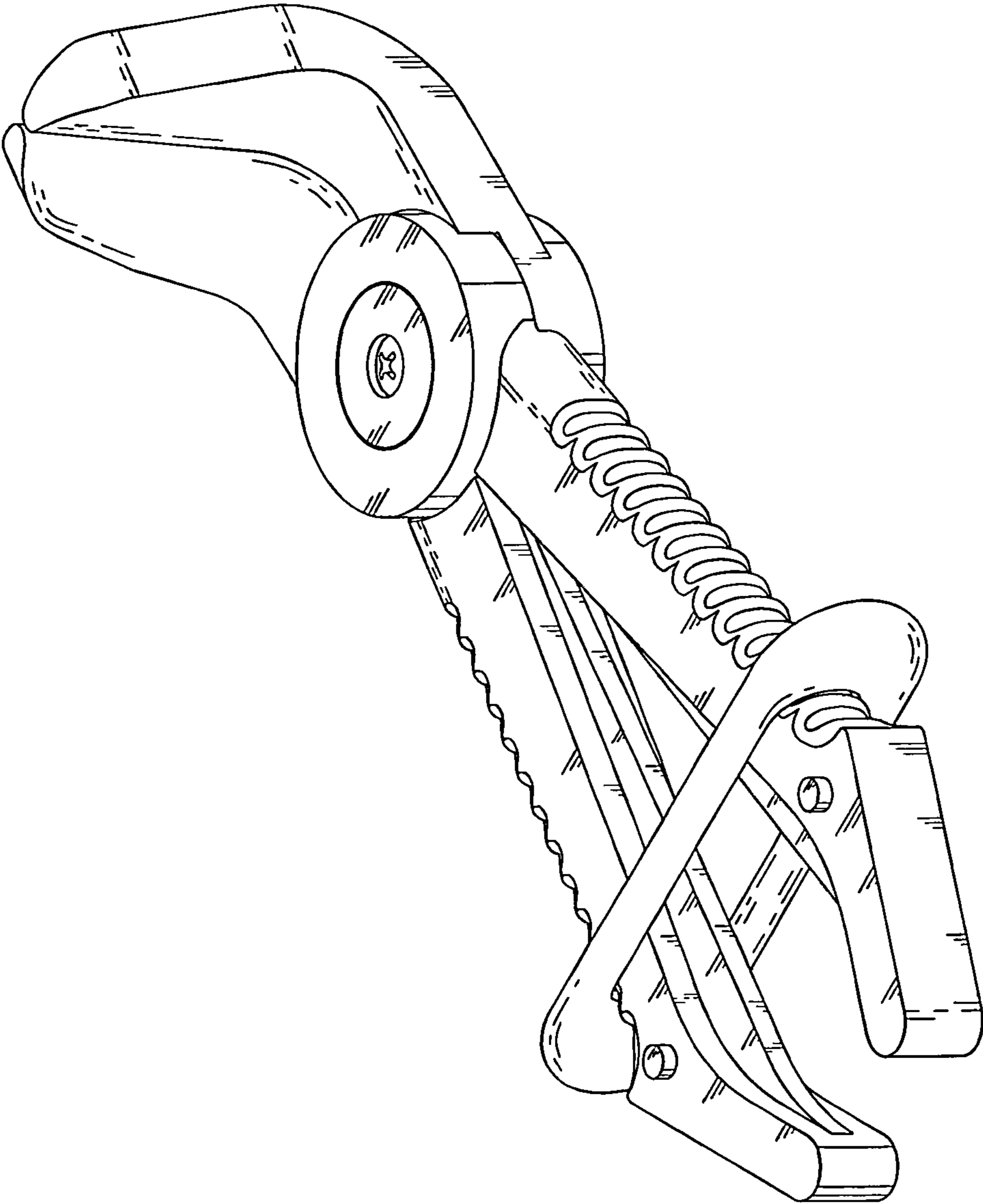


FIG. 8

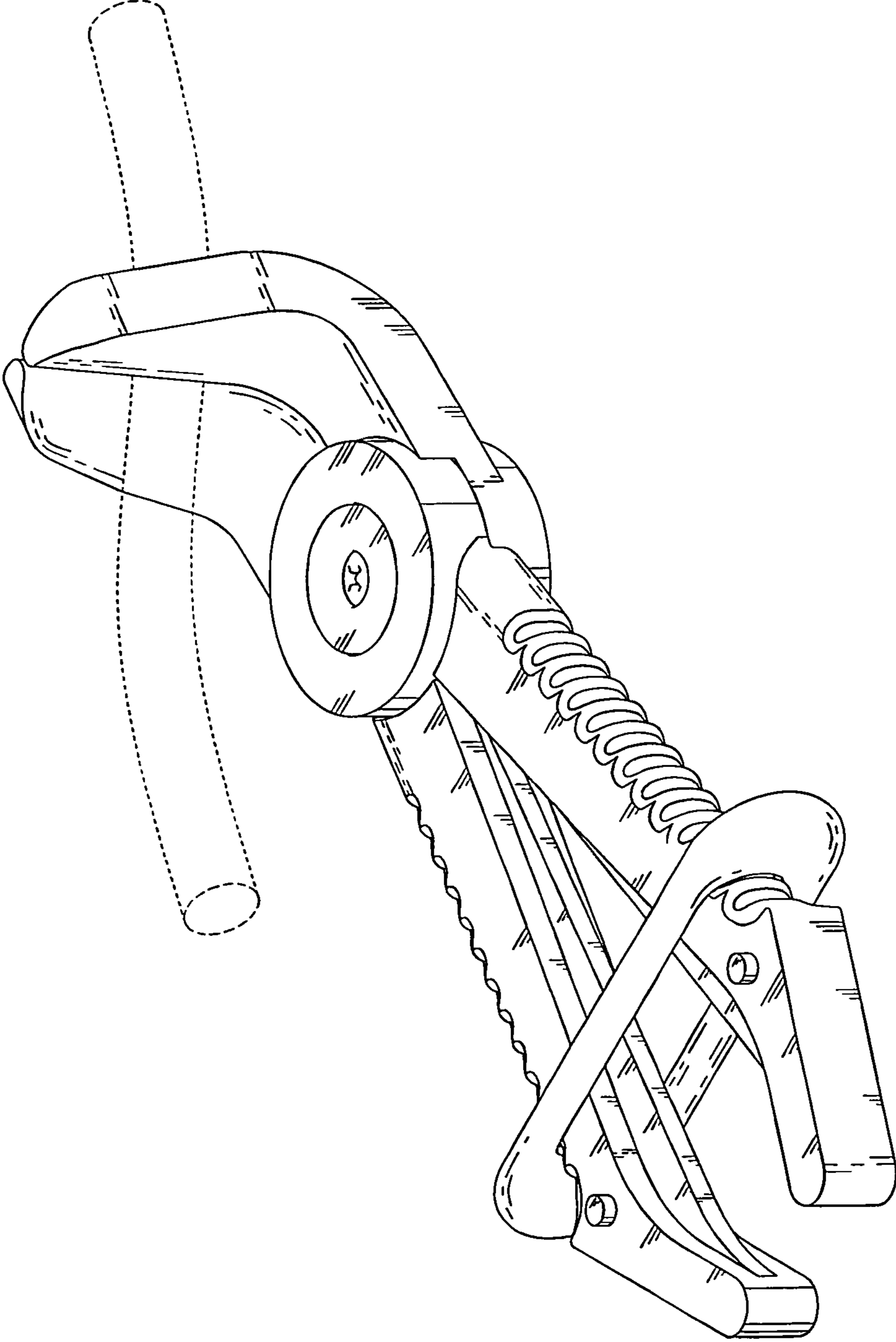


FIG. 9