



US00D687693S

(12) **United States Design Patent**
Caudle

(10) **Patent No.:** **US D687,693 S**

(45) **Date of Patent:** **** Aug. 13, 2013**

(54) **OPENER FOR BOTTLES AND TAB TOP CANS**

(76) Inventor: **Maria Caudle**, Las Vegas, NV (US)

(**) Term: **14 Years**

(21) Appl. No.: **29/430,712**

(22) Filed: **Aug. 29, 2012**

(51) **LOC (9) Cl.** **07-99**

(52) **U.S. Cl.**
USPC **D8/40**

(58) **Field of Classification Search**

USPC D8/14, 16–19, 33–43, 88, 89, 105;
7/113, 151–156; 30/400–410, 416–430,
30/433, 434, 443, 450; 81/3.07, 3.09, 3.2,
81/3.27, 3.29, 3.31, 3.35, 3.37, 3.4, 3.45,
81/3.48, 3.49, 3.55

See application file for complete search history.

(56) **References Cited**

U.S. PATENT DOCUMENTS

2,624,489	A	*	1/1953	Wishart	7/151
D205,370	S	*	7/1966	Roeschlaub	D8/18
D228,224	S	*	8/1973	Schlanger	D8/18
D278,950	S	*	5/1985	Vaughan	D8/18
D287,093	S	*	12/1986	Ryan	D8/34
D293,199	S	*	12/1987	Grenley	D8/18
D296,754	S	*	7/1988	Ahumada	D8/38
D298,794	S	*	12/1988	Allen	D8/19
D303,345	S	*	9/1989	Sawatsky et al.	D8/40
D311,668	S	*	10/1990	Bryant et al.	D8/40
4,967,622	A	*	11/1990	Phillips	81/3.09
D335,432	S	*	5/1993	Vaughan	D8/34
D358,536	S	*	5/1995	Gore et al.	D8/16
D462,000	S		8/2002	Hightower	
D642,374	S		8/2011	Morrish	
2011/0314968	A1		12/2011	Hill	

OTHER PUBLICATIONS

realsimple.com, “Wallet Bottle Opener,” advertising web page, accessed ~ Aug. 28, 2012, presumed available worldwide via Google

search; dates of invention/creation/first publication unknown; links and one photographic image appended hereto, Exhibit 1. moderndna.com, “Deluxe Stainless Steel Bottle Opener by Blomus,” advertising web page, accessed approx. Aug. 28, 2012, presumed available worldwide via Google search; dates of invention/creation/first publication unknown; links and one photographic image appended hereto, Exhibit 2. storenvy.com, “Open Me—Bottle Opener,” advertising web page, accessed approx. Aug. 28, 2012, presumed available worldwide via Google search; dates of invention/creation/first publication unknown; links and one photographic image appended hereto, Exhibit 3.

* cited by examiner

Primary Examiner — Garth Rademaker

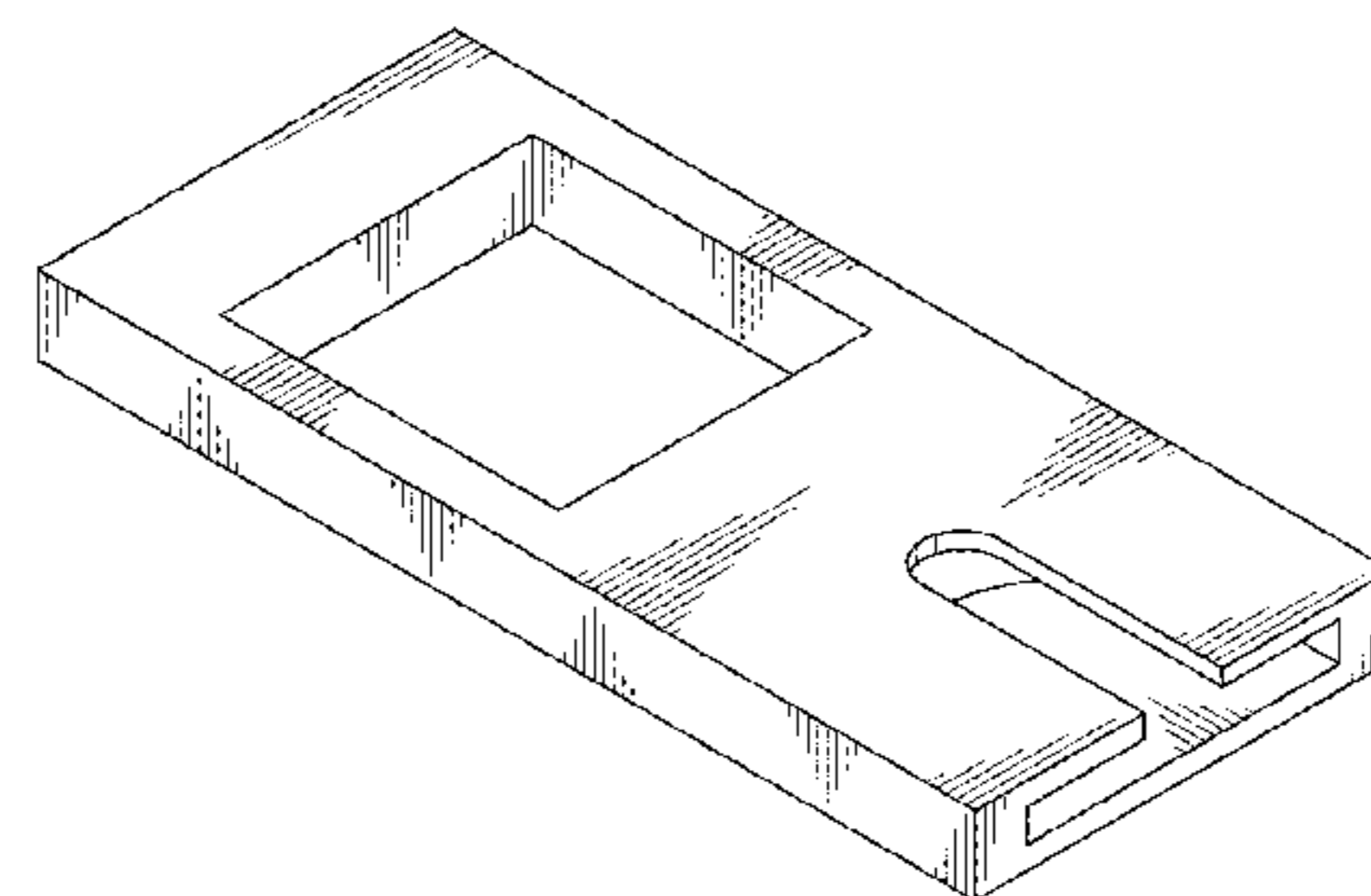
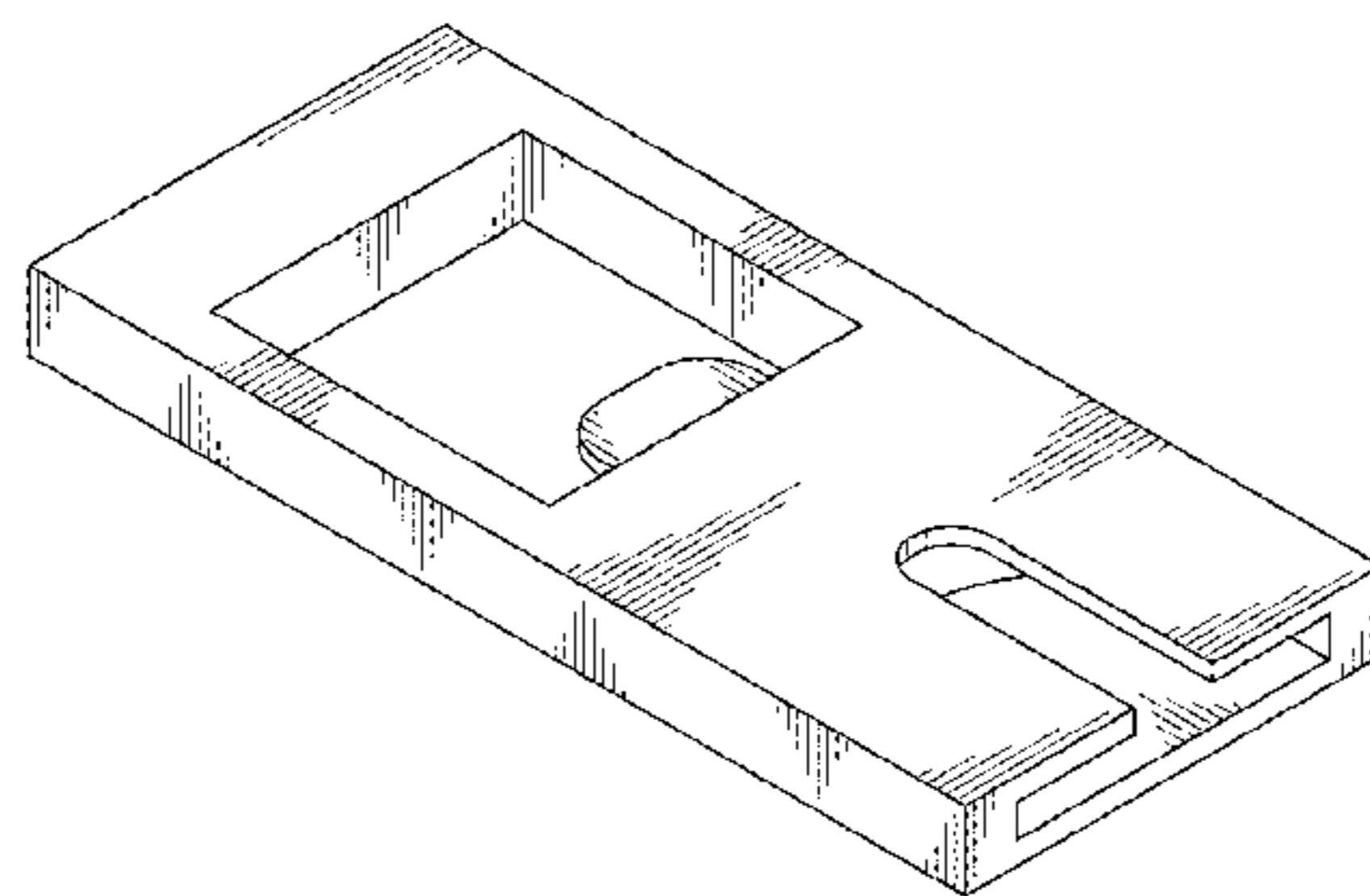
(57) **CLAIM**

The ornamental design for an opener for bottles and tab top cans, as shown and described.

DESCRIPTION

FIG. 1 is a perspective view of a first embodiment of an opener for bottles and tab top cans; FIG. 2 is a top plan view thereof; FIG. 3 is a bottom plan view thereof; FIG. 4 is a left side elevational view thereof; FIG. 5 is a right side elevational view thereof; FIG. 6 is a front elevational view thereof; FIG. 7 is a rear elevational view thereof; FIG. 8 is a perspective view of a second embodiment of an opener for bottles and tab top cans; FIG. 9 is a top plan view thereof; FIG. 10 is a bottom plan view thereof; FIG. 11 is a left side elevational view thereof; FIG. 12 is a right side elevational view thereof; FIG. 13 is a front elevational view thereof; and, FIG. 14 is a rear elevational view thereof.

1 Claim, 2 Drawing Sheets



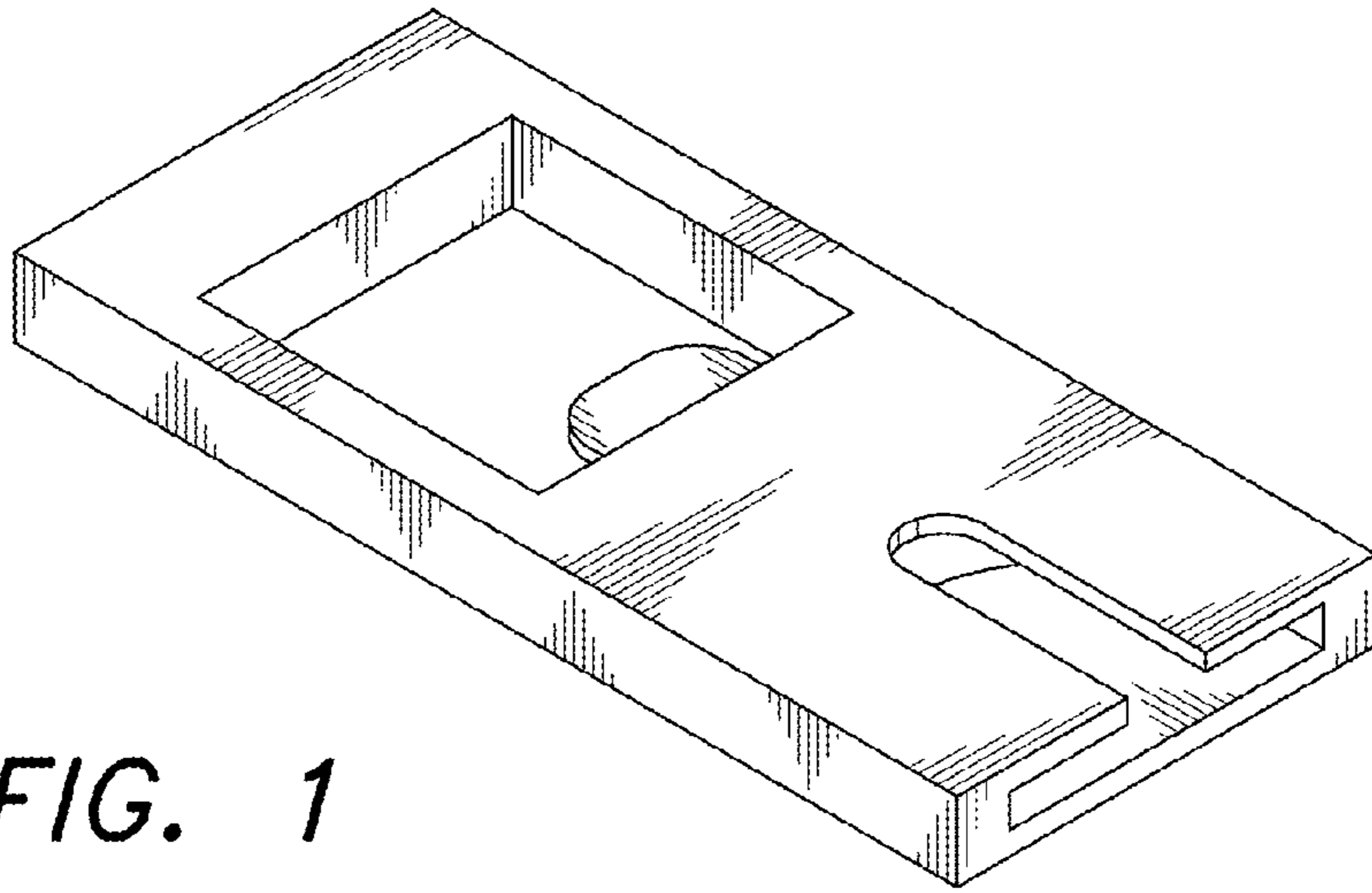


FIG. 1

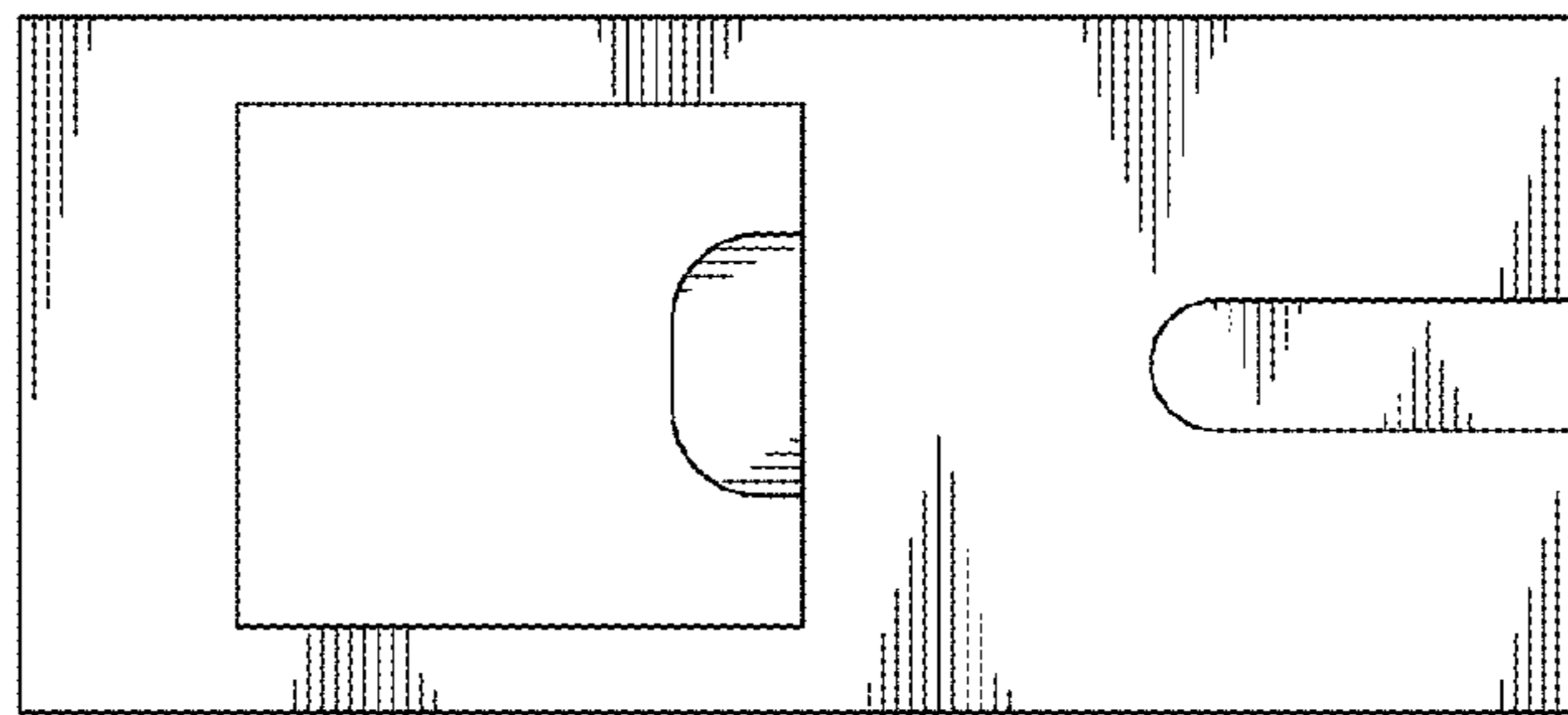


FIG. 2

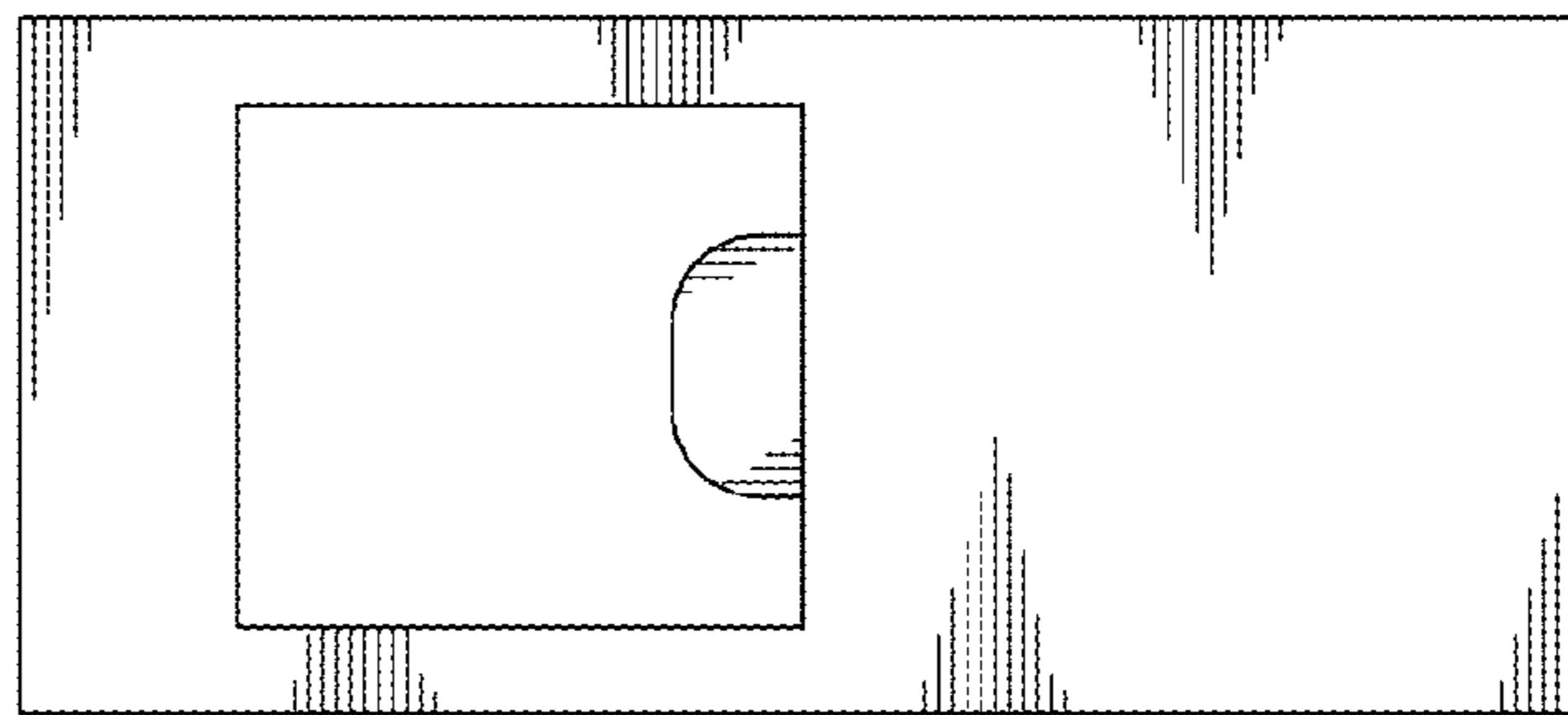


FIG. 3

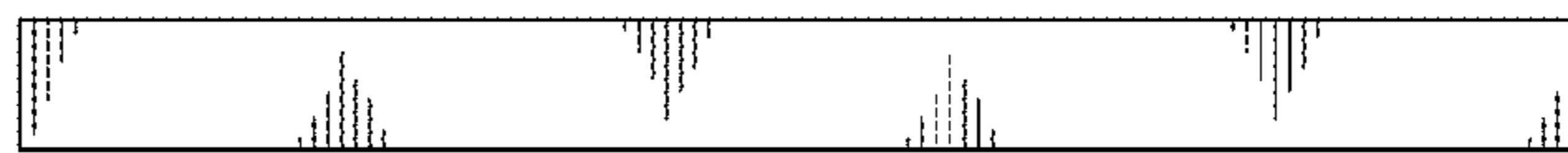


FIG. 4

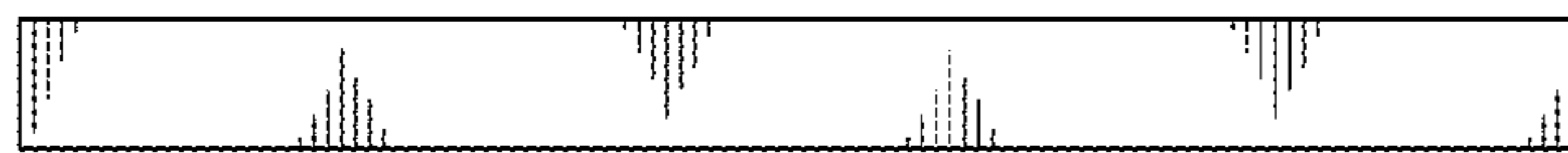


FIG. 5

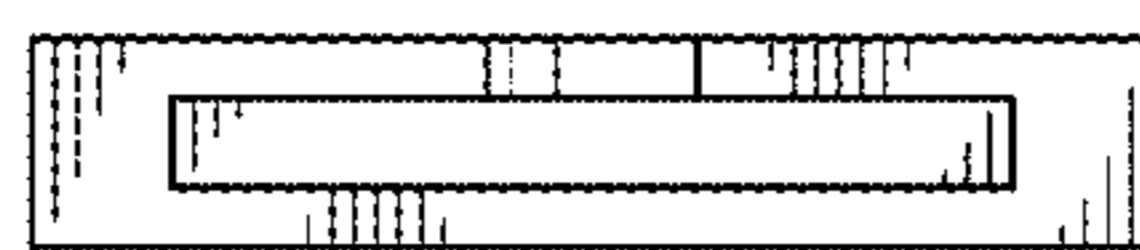


FIG. 6

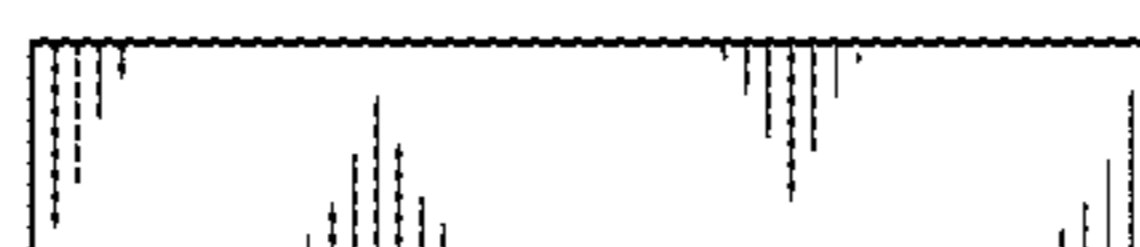


FIG. 7

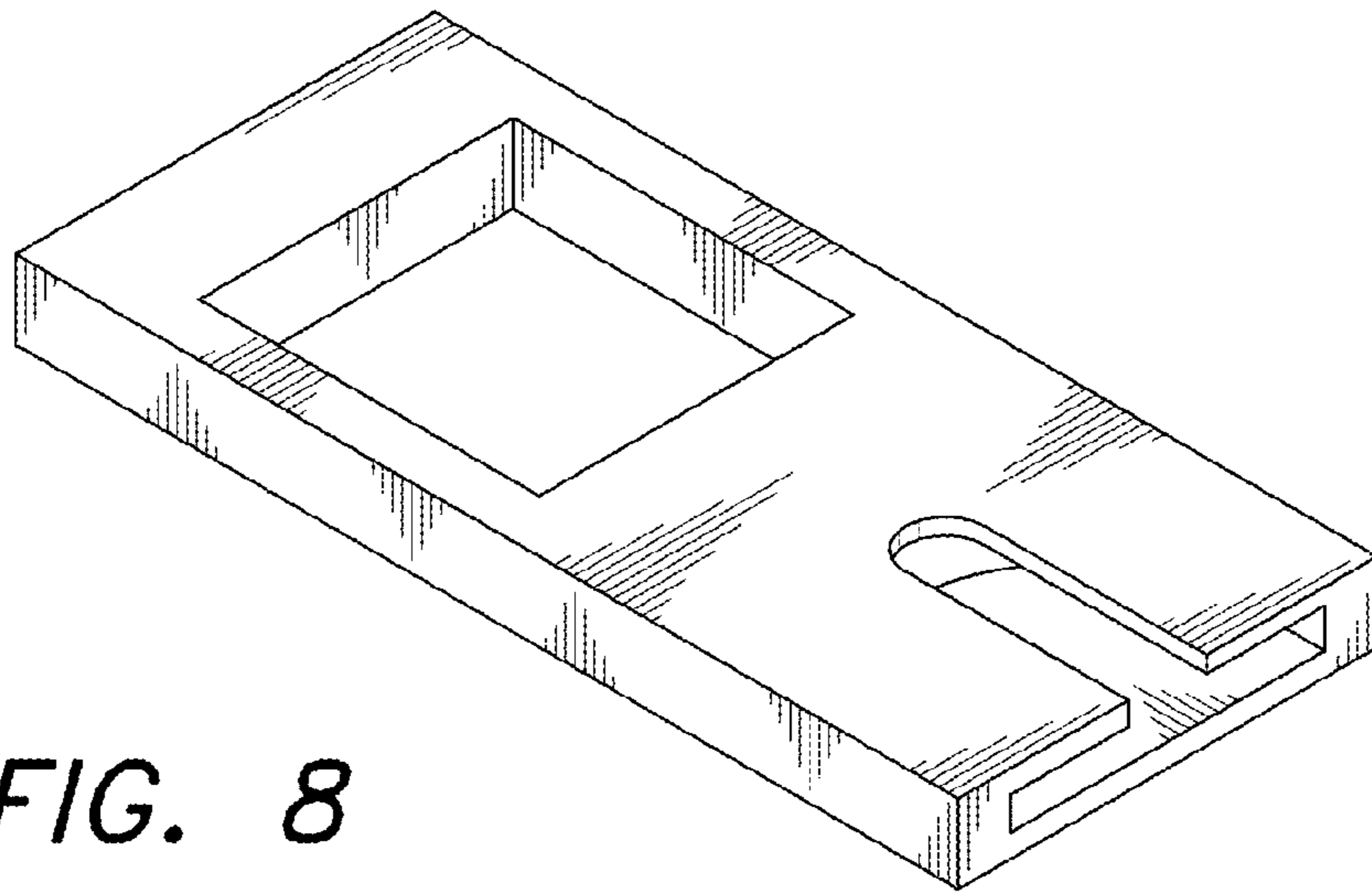


FIG. 8

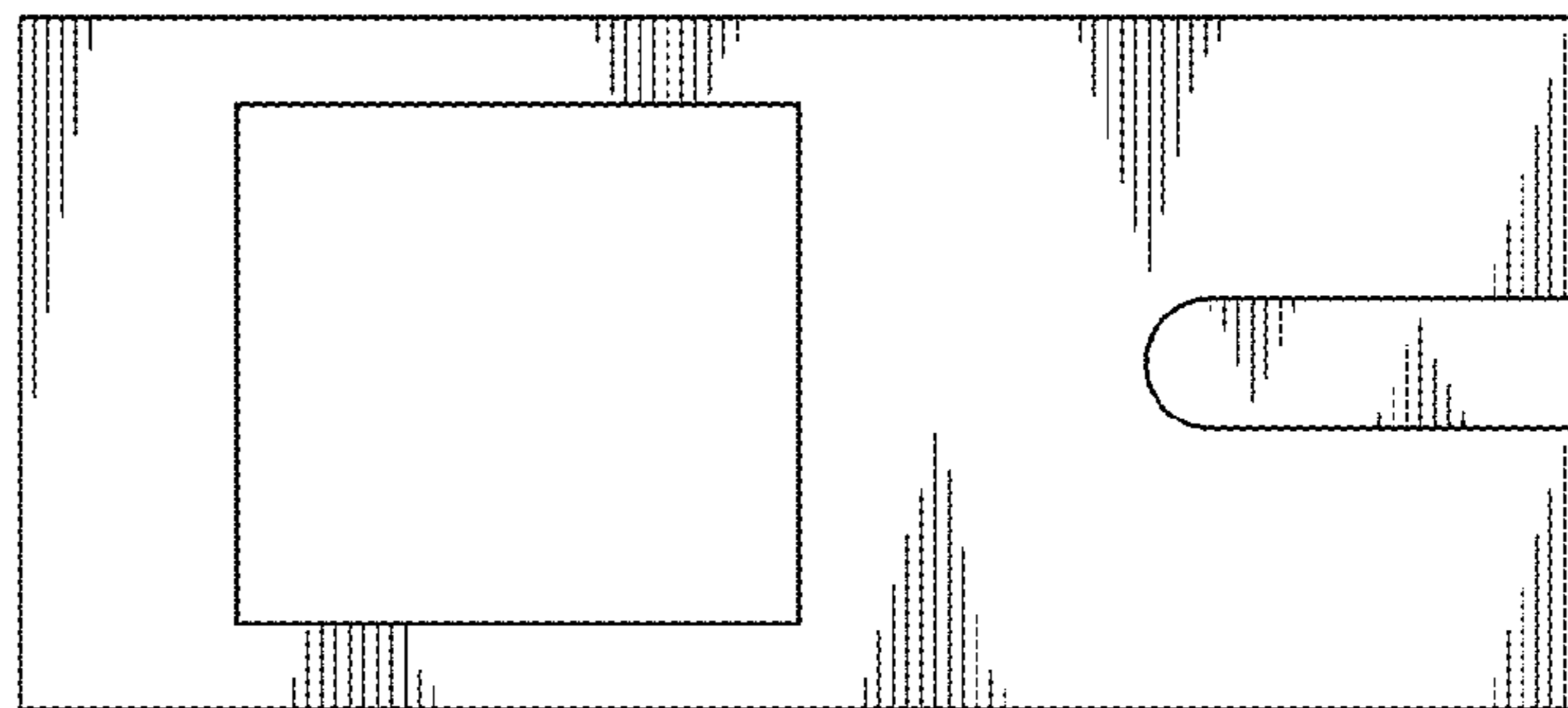


FIG. 9

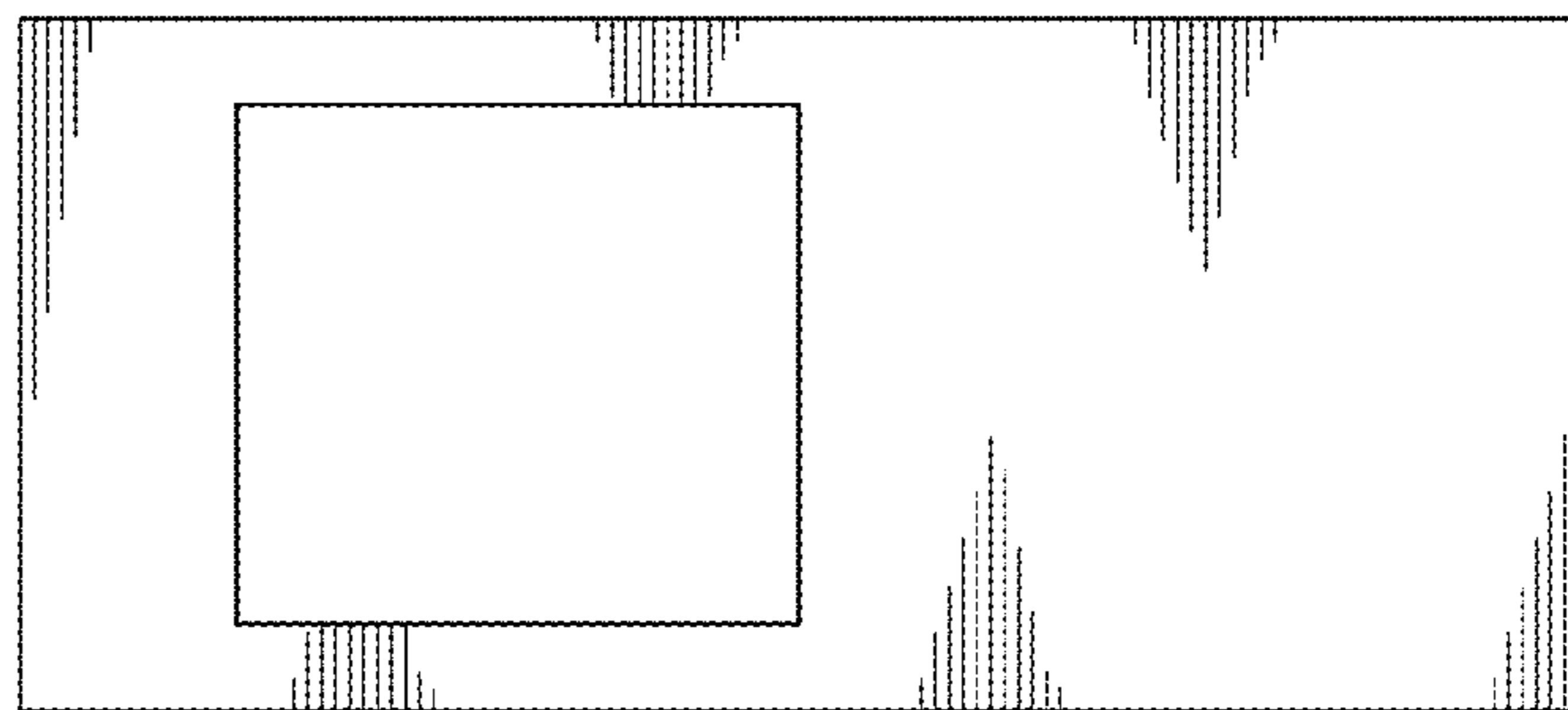


FIG. 10



FIG. 11

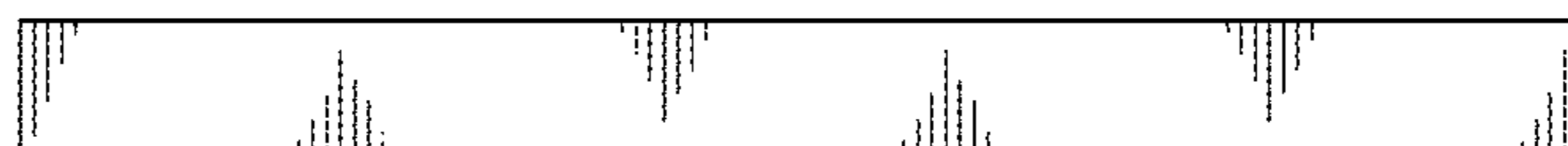


FIG. 12

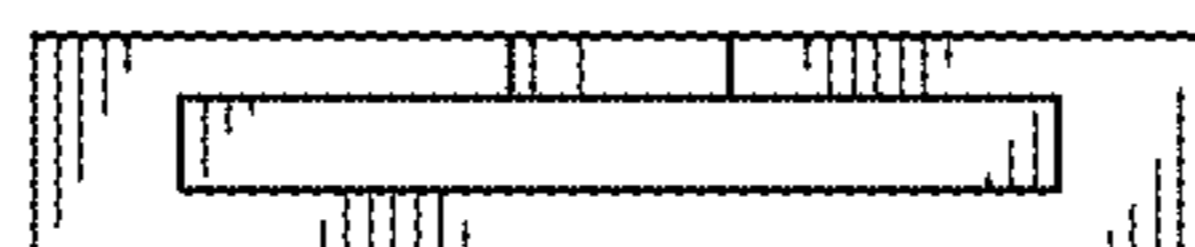


FIG. 13

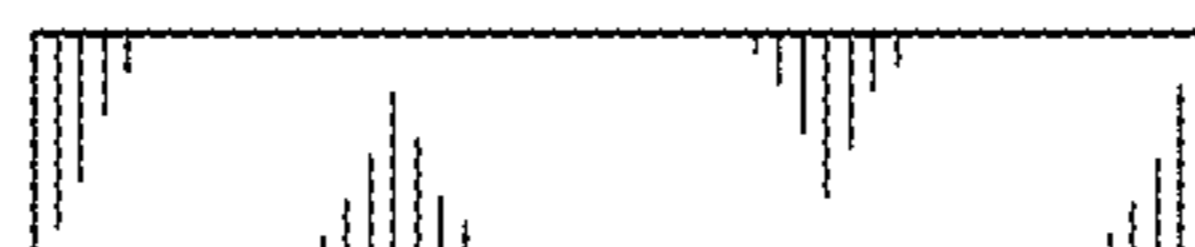


FIG. 14