



US00D687692S

(12) **United States Design Patent**  
**Chen**

(10) **Patent No.:** **US D687,692 S**

(45) **Date of Patent:** **\*\* Aug. 13, 2013**

(54) **SOCKET WRENCH**

(71) Applicant: **Chien-Te Chen**, Taichung (TW)

(72) Inventor: **Chien-Te Chen**, Taichung (TW)

(\*\*) Term: **14 Years**

(21) Appl. No.: **29/436,779**

(22) Filed: **Nov. 9, 2012**

(51) **LOC (9) Cl.** ..... **08-05**

(52) **U.S. Cl.**  
USPC ..... **D8/28**

(58) **Field of Classification Search**  
USPC ..... D8/27, 28; 81/35, 177.75, 177.8,  
81/177.85, 177.9, 415-424, 177.1; 16/110.1  
See application file for complete search history.

(56) **References Cited**

**U.S. PATENT DOCUMENTS**

7,047,844	B1 *	5/2006	Macor	81/124.4
D559,054	S *	1/2008	Tuan Mu	D8/25
D601,871	S *	10/2009	Murray	D8/28
D616,274	S *	5/2010	Macor	D8/28
D622,566	S *	8/2010	Murray et al.	D8/28
D639,625	S *	6/2011	Chang	D8/28

D640,518	S *	6/2011	Kriz et al.	D8/28
D654,337	S *	2/2012	Huang	D8/25
2011/0239827	A1 *	10/2011	Hart	81/60
2011/0239828	A1 *	10/2011	Hobden et al.	81/63

\* cited by examiner

*Primary Examiner* — Randall Gholson

(74) *Attorney, Agent, or Firm* — Raymond Y. Chan; David and Raymond Patent Firm

(57) **CLAIM**

The ornamental design for a socket wrench, as shown and described.

**DESCRIPTION**

FIG. 1 is a perspective view of socket wrench showing my new design.

FIG. 2 is a front view thereof.

FIG. 3 is a rear view thereof.

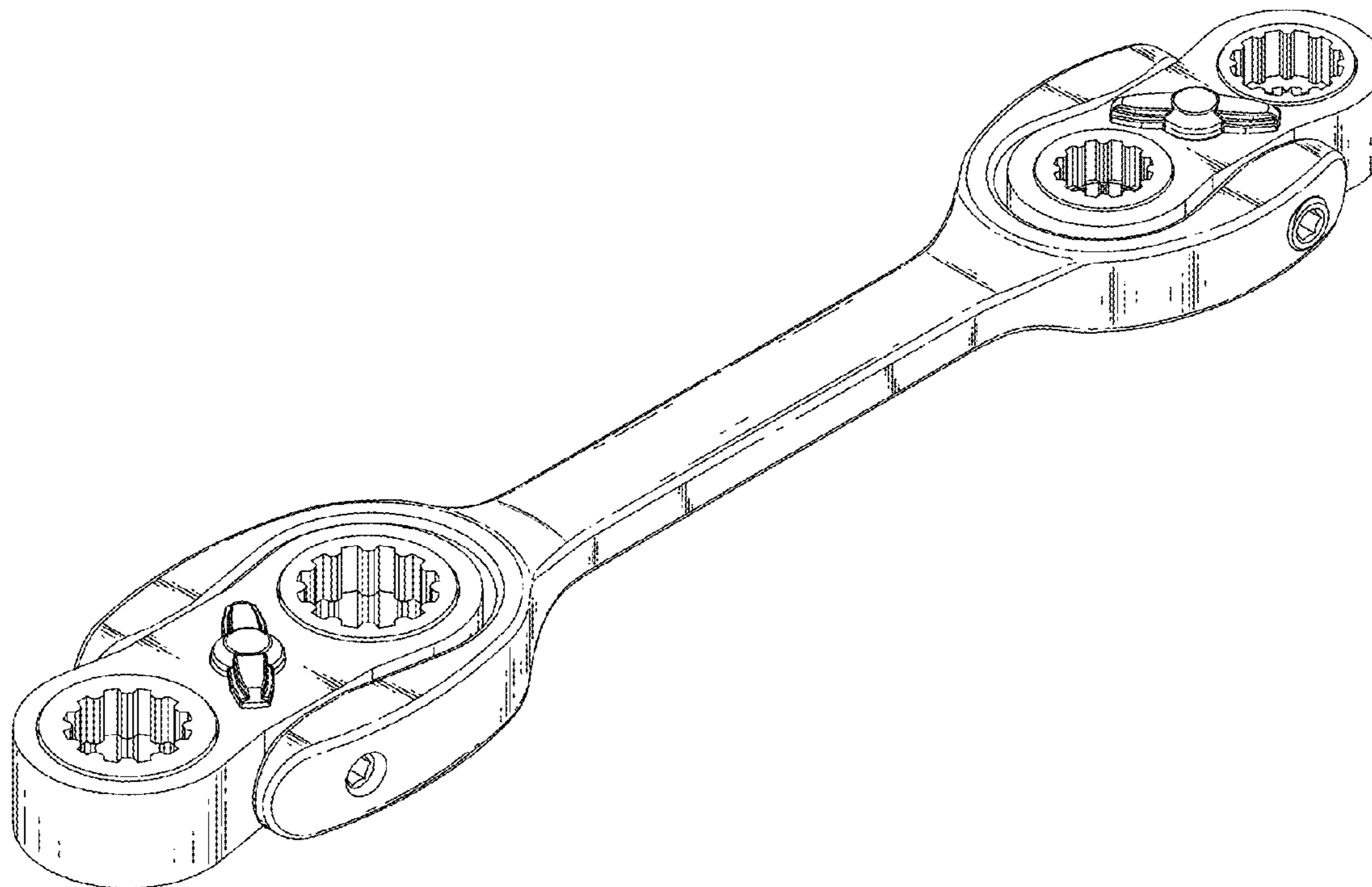
FIG. 4 is a left view thereof.

FIG. 5 is a right view thereof.

FIG. 6 is a top view thereof; and,

FIG. 7 is a bottom view thereof.

**1 Claim, 6 Drawing Sheets**



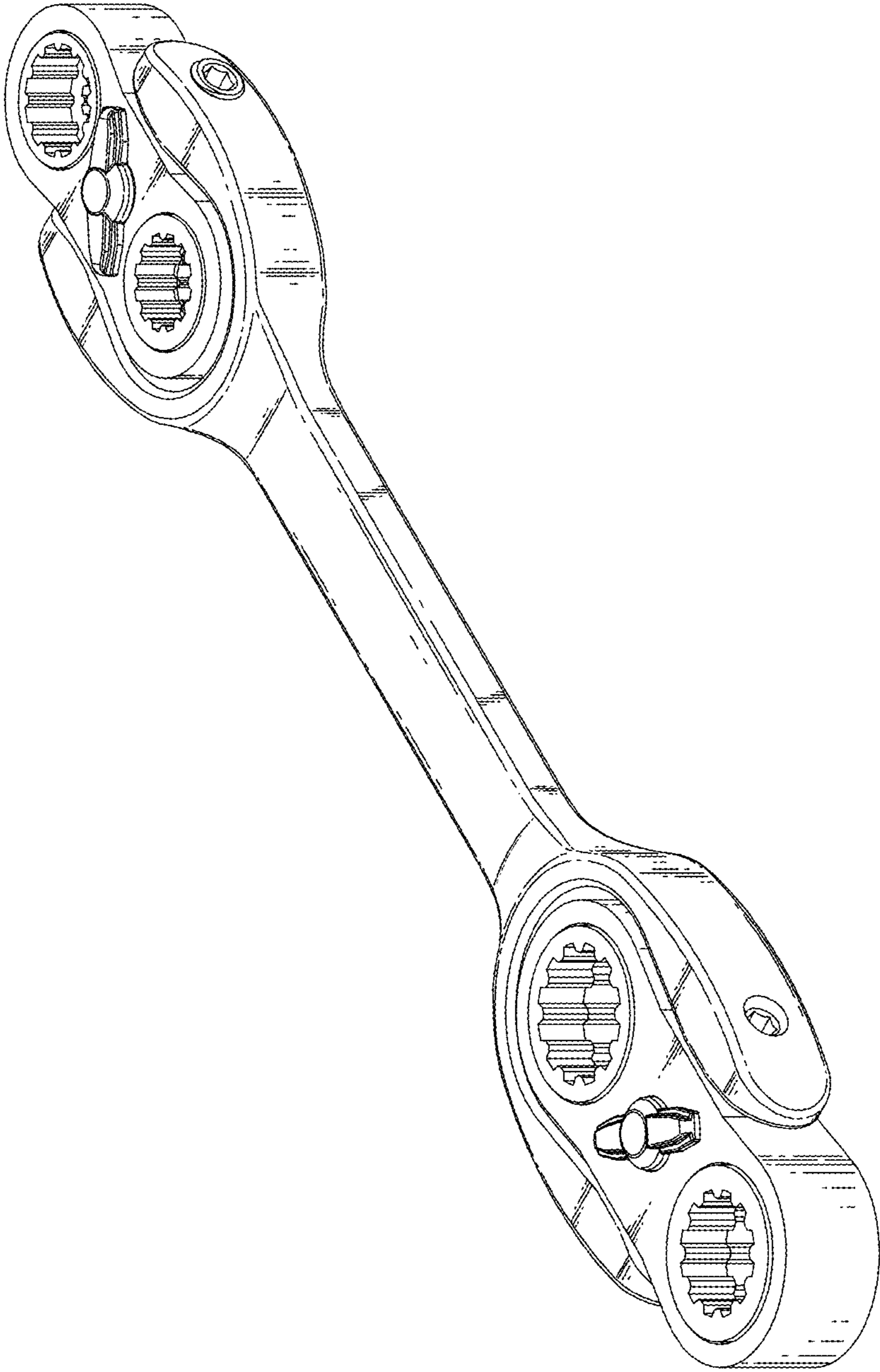


FIG. 1

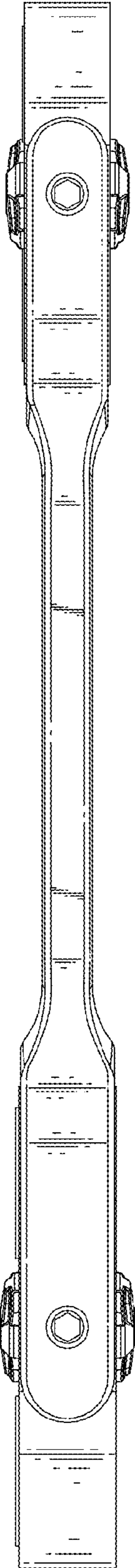


FIG. 2

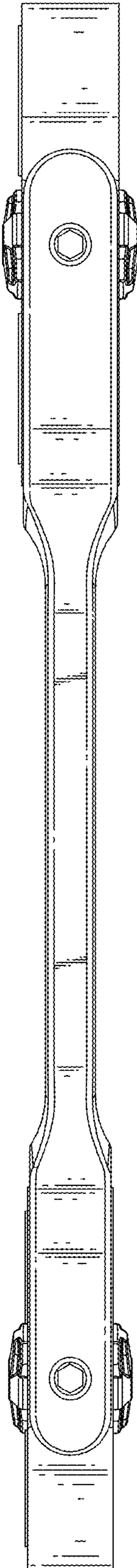


FIG. 3

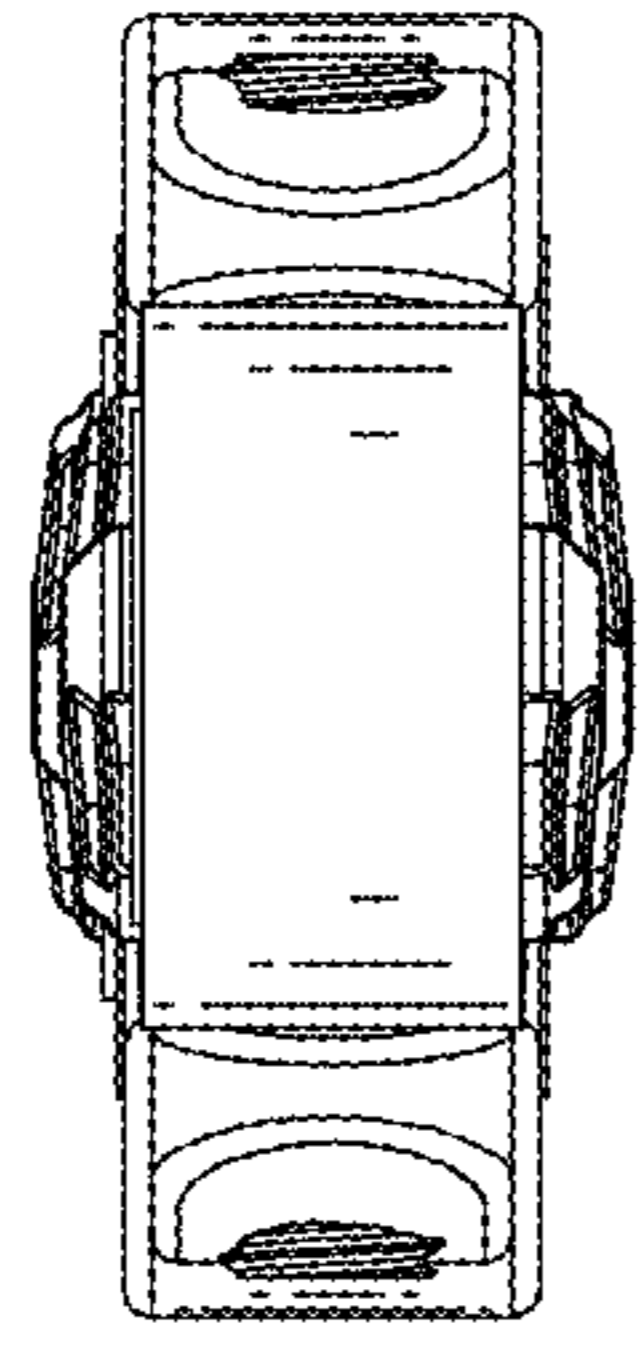


FIG. 4

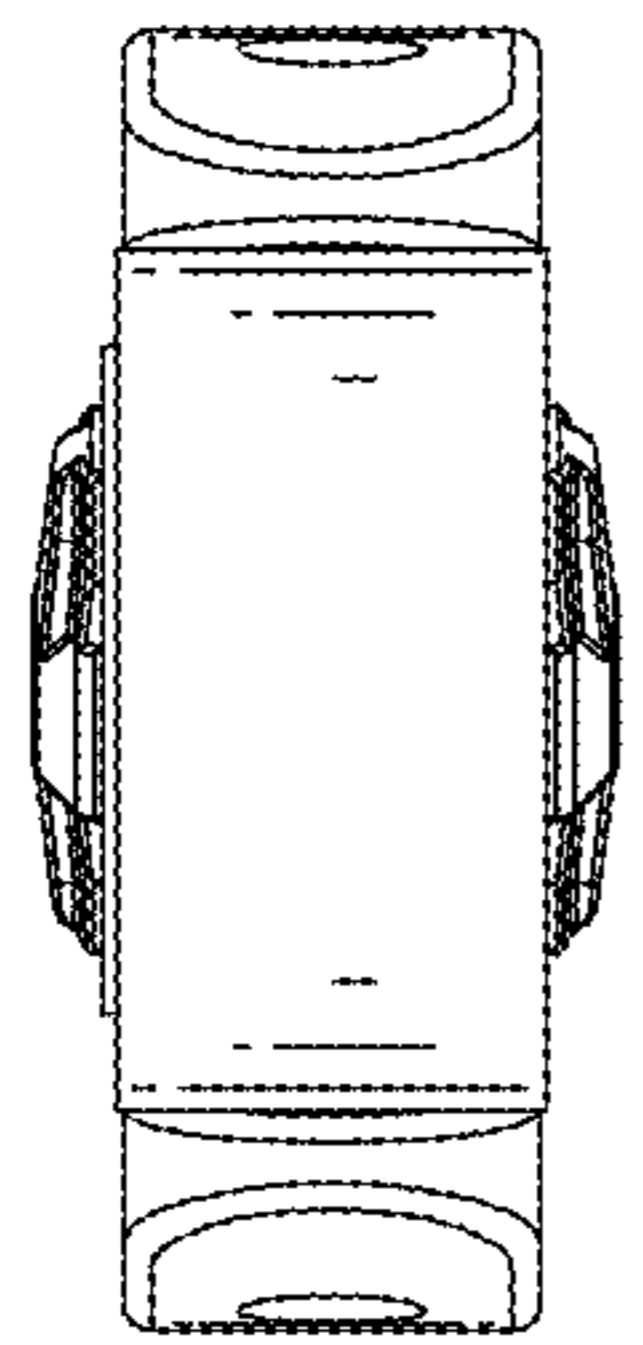


FIG. 5

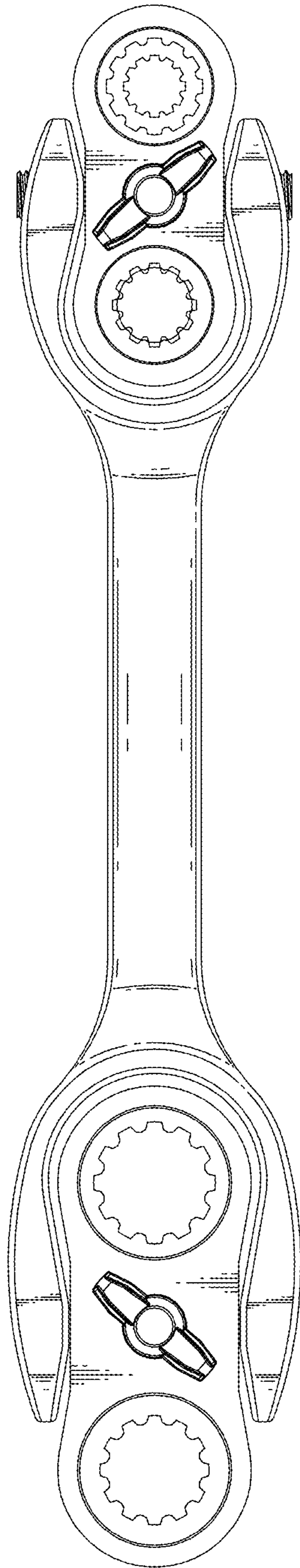


FIG. 6

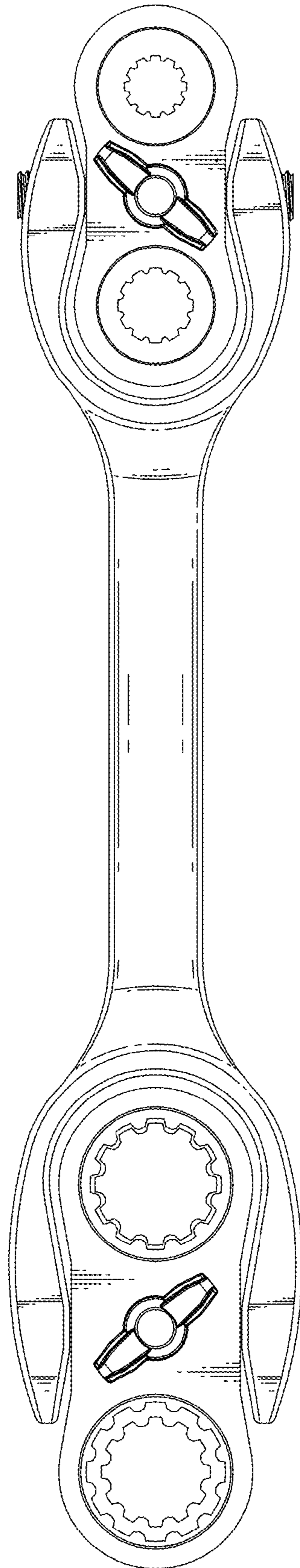


FIG. 7