



US00D687691S

(12) **United States Design Patent**
Chen

(10) **Patent No.:** **US D687,691 S**

(45) **Date of Patent:** **** Aug. 13, 2013**

(54) **COMBINATION WRENCH**

(71) Applicant: **Chi-Liang Chen**, Taichung (TW)

(72) Inventor: **Chi-Liang Chen**, Taichung (TW)

(**) Term: **14 Years**

(21) Appl. No.: **29/436,159**

(22) Filed: **Nov. 2, 2012**

(51) **LOC (9) Cl.** **08-05**

(52) **U.S. Cl.**
USPC **D8/28**

(58) **Field of Classification Search**
USPC D8/17, 21, 27, 28; 81/119, 121.1,
81/125.1, 186, 176.1, 176.15, 489, 488;
16/110.1; D15/142

See application file for complete search history.

(56) **References Cited**

U.S. PATENT DOCUMENTS

D433,896 S * 11/2000 Wei D8/28
6,647,834 B2 * 11/2003 Hu 81/119

D488,037 S * 4/2004 Tuanmu D8/25
6,761,092 B2 * 7/2004 Hsien 81/63.2
7,387,052 B2 * 6/2008 Chang et al. 81/177.1
D611,788 S * 3/2010 Evans et al. D8/28

* cited by examiner

Primary Examiner — Randall Gholson

(74) *Attorney, Agent, or Firm* — Raymond Y. Chan; David and Raymond Patent Firm

(57) **CLAIM**

The ornamental design for a combination wrench, as shown and described.

DESCRIPTION

FIG. 1 is a perspective view of combination wrench showing my new design.

FIG. 2 is a left view thereof.

FIG. 3 is a right view thereof.

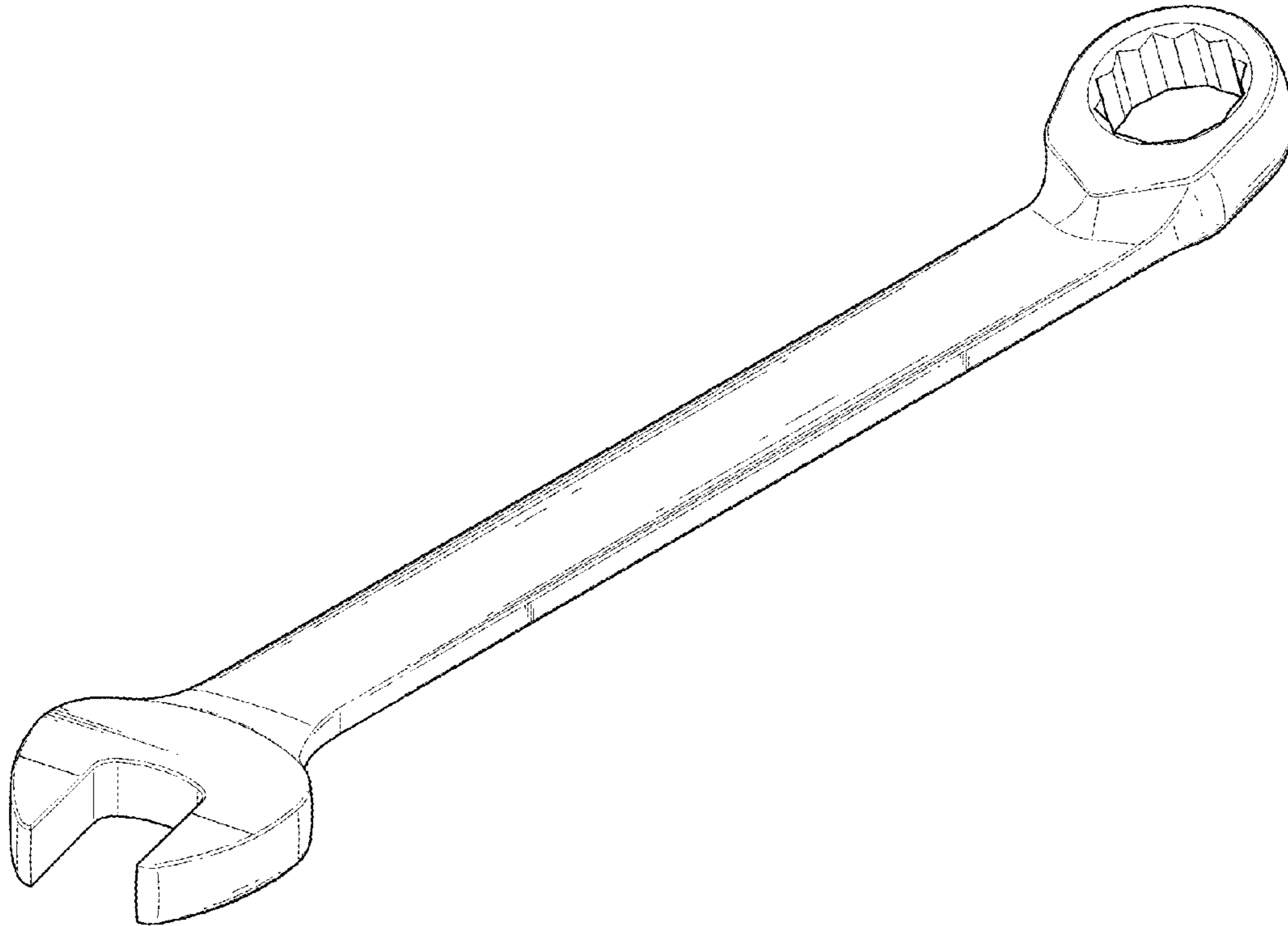
FIG. 4 is a front view thereof.

FIG. 5 is a rear view thereof.

FIG. 6 is a top view thereof; and,

FIG. 7 is a bottom view thereof.

1 Claim, 6 Drawing Sheets



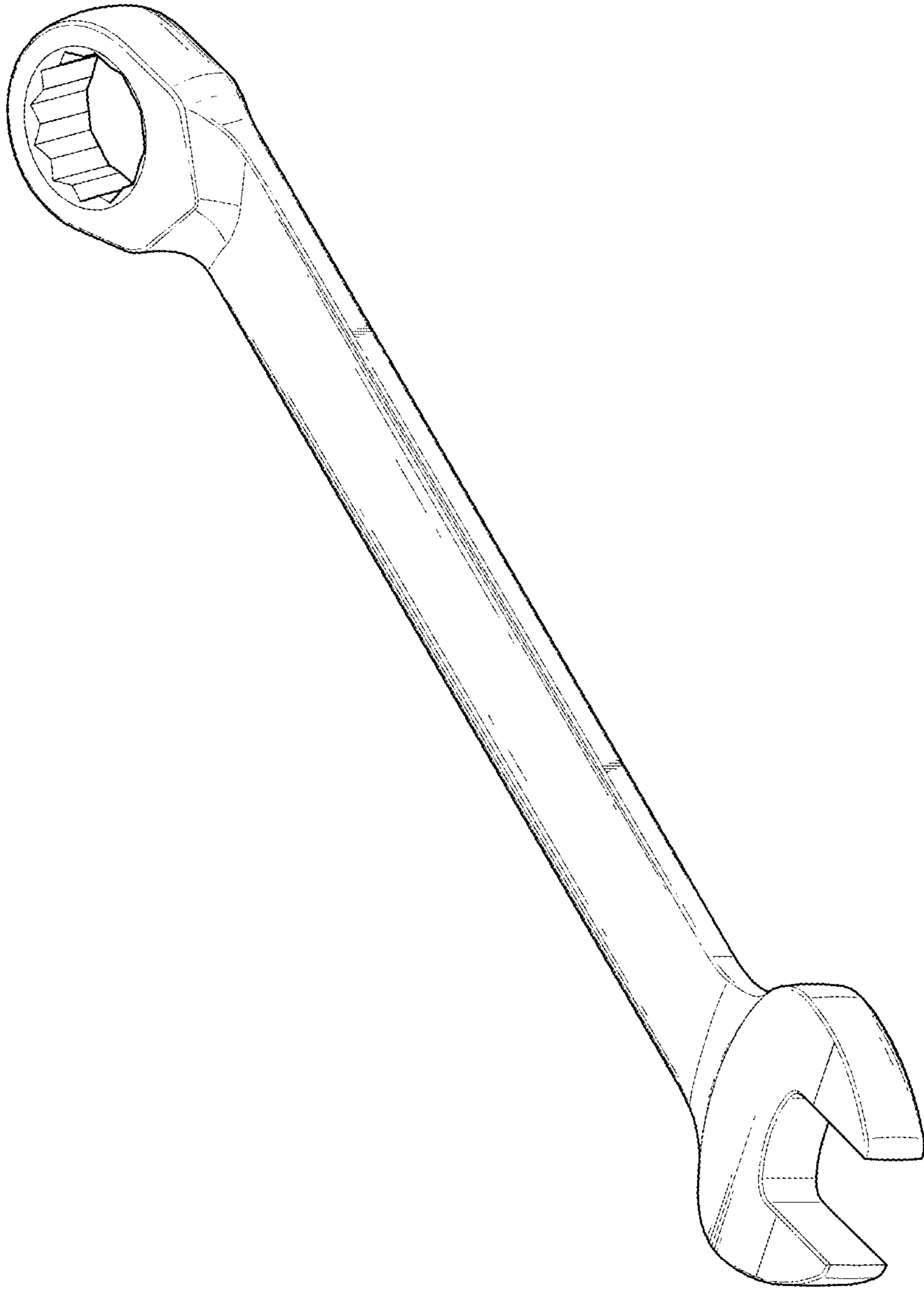


FIG. 1

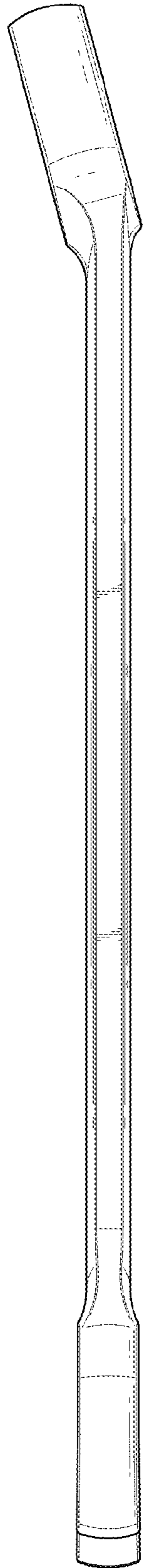


FIG. 2

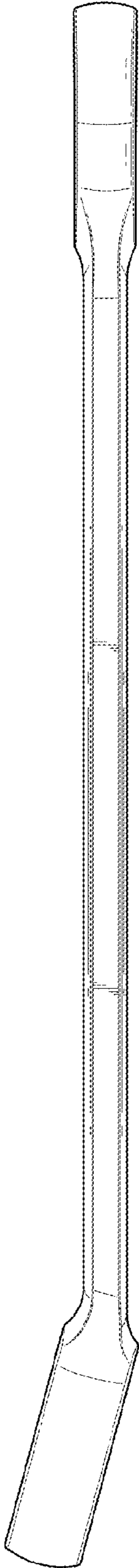


FIG. 3

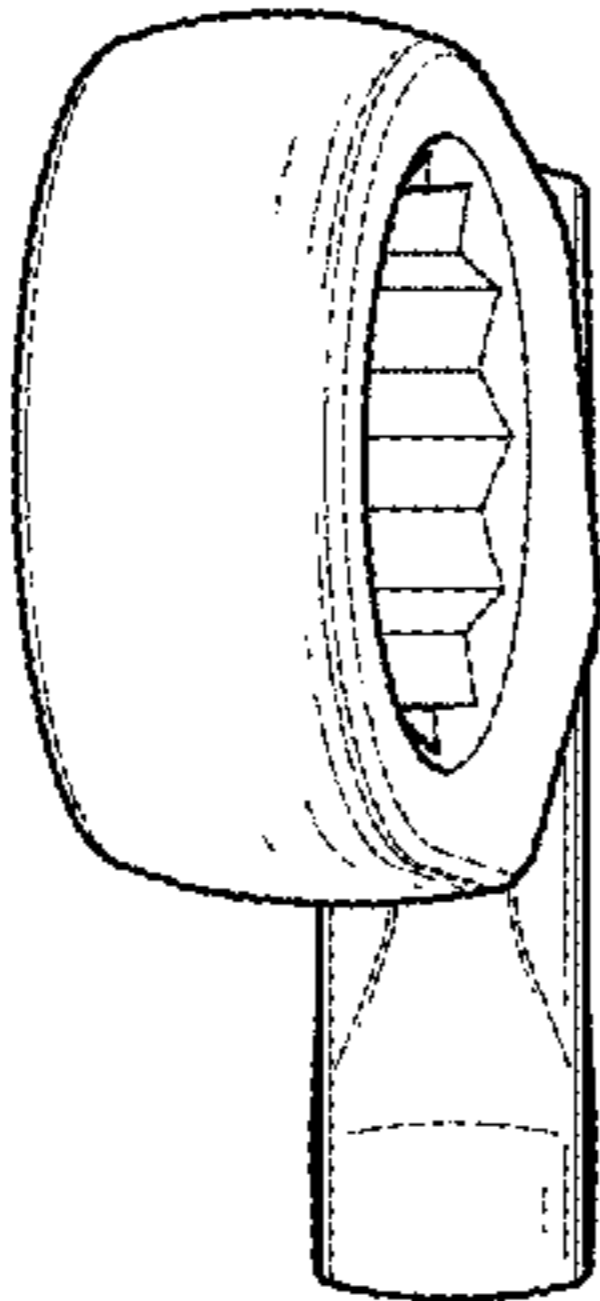


FIG. 5

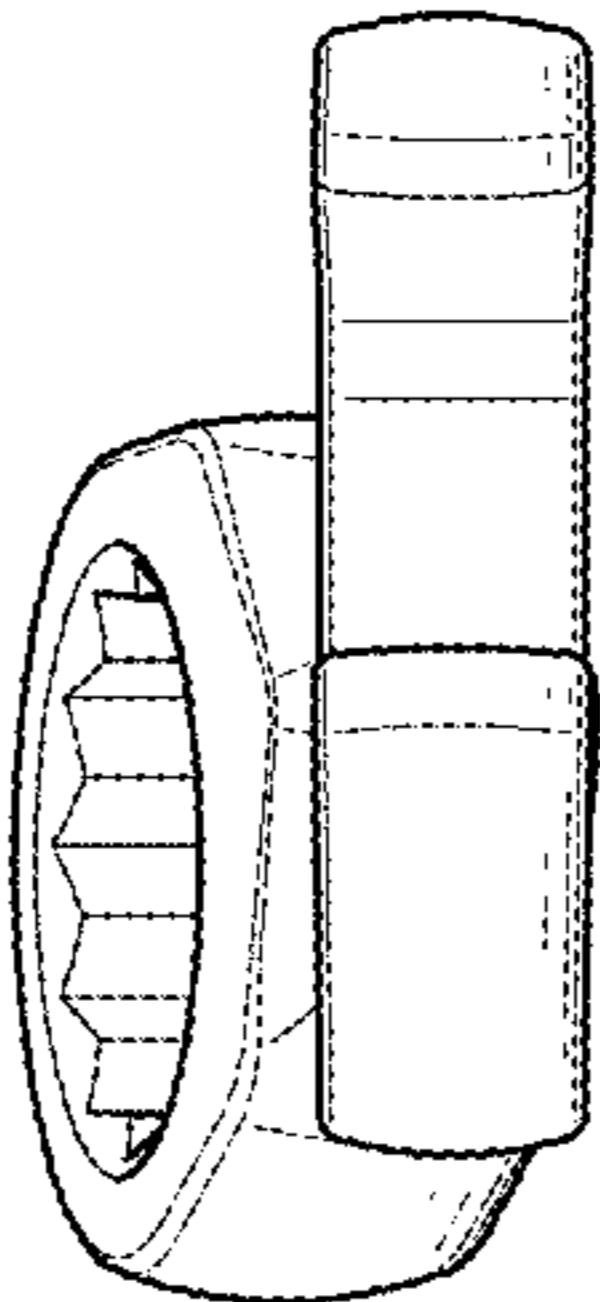


FIG. 4

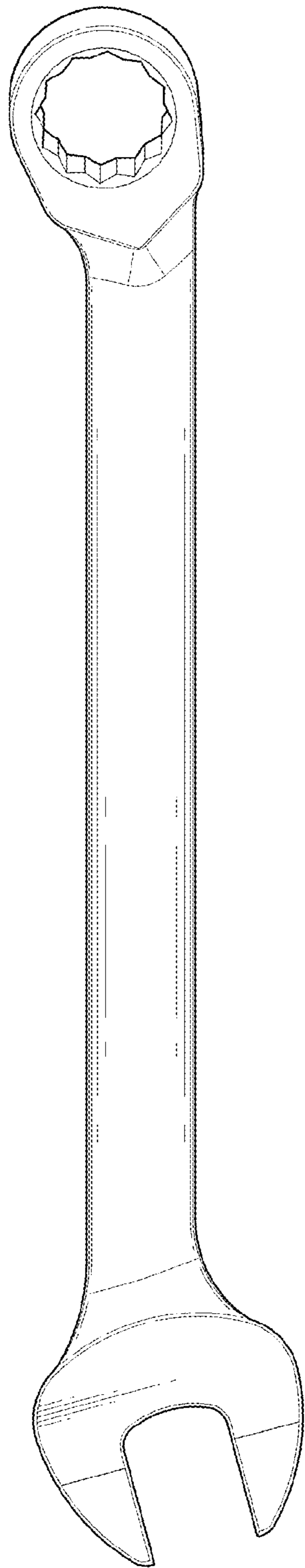


FIG. 6

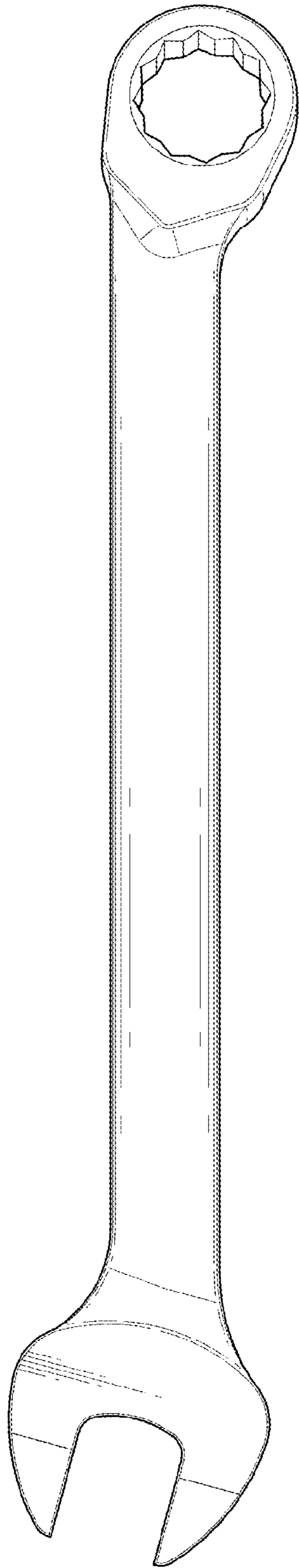


FIG. 7