



US00D687688S

(12) **United States Design Patent**
Hsieh

(10) **Patent No.:** **US D687,688 S**

(45) **Date of Patent:** **** Aug. 13, 2013**

(54) **ELECTRONIC TORQUE WRENCH**

(71) Applicant: **Kabo Tool Company**, Taichung (TW)

(72) Inventor: **Chih-Ching Hsieh**, Taichung (TW)

(73) Assignee: **Kabo Tool Company**, Taichung (TW)

(**) Term: **14 Years**

(21) Appl. No.: **29/440,637**

(22) Filed: **Dec. 24, 2012**

(51) **LOC (9) Cl.** **08-05**

(52) **U.S. Cl.**
USPC **D8/24**

(58) **Field of Classification Search**

USPC D8/21-29, 107, 61; 73/862.22, 862.23,
73/862.331-962.335; 81/467, 469, 479,
480-483, 57, 39; 464/25, 35

See application file for complete search history.

(56) **References Cited**

U.S. PATENT DOCUMENTS

D286,973 S * 12/1986 Grabovac D8/24
5,589,644 A * 12/1996 Becker et al. 73/862.23
D497,294 S * 10/2004 Becker et al. D8/25
D520,309 S * 5/2006 Hsien D8/25

D525,853 S * 8/2006 Hsieh D8/107
D530,166 S * 10/2006 Becker et al. D8/24
D533,038 S * 12/2006 Hsu D8/24
D562,093 S * 2/2008 Wu D8/24
D571,626 S * 6/2008 Escoe et al. D8/24
D575,604 S * 8/2008 Vossbrinck D8/24
D586,193 S * 2/2009 Escoe et al. D8/24

* cited by examiner

Primary Examiner — Randall Gholson

(74) *Attorney, Agent, or Firm* — Guice Patents PLLC

(57) **CLAIM**

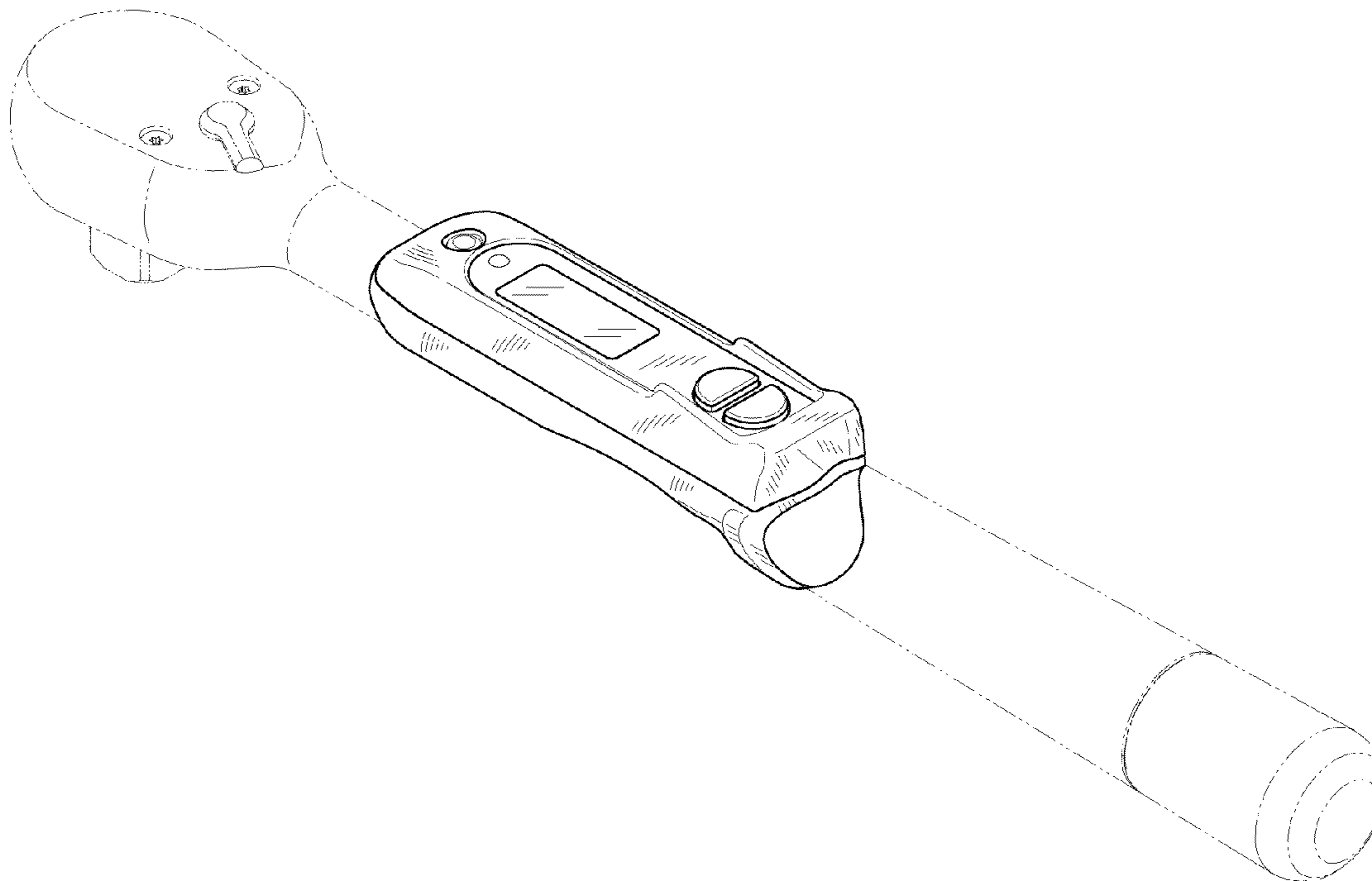
The ornamental design for an electronic torque wrench, as shown and described.

DESCRIPTION

FIG. 1 is a perspective view of an electronic torque wrench;
FIG. 2 is a front view thereof;
FIG. 3 is a rear view thereof;
FIG. 4 is a left side view taken along line 4-4 of FIG. 2;
FIG. 5 is a right side view taken along line 5-5 of FIG. 2;
FIG. 6 is a top view thereof; and,
FIG. 7 is a bottom view thereof.

The broken lines shown on the drawings are included for the purpose of illustrating unclaimed features of the wrench and form no part of the claimed design.

1 Claim, 4 Drawing Sheets



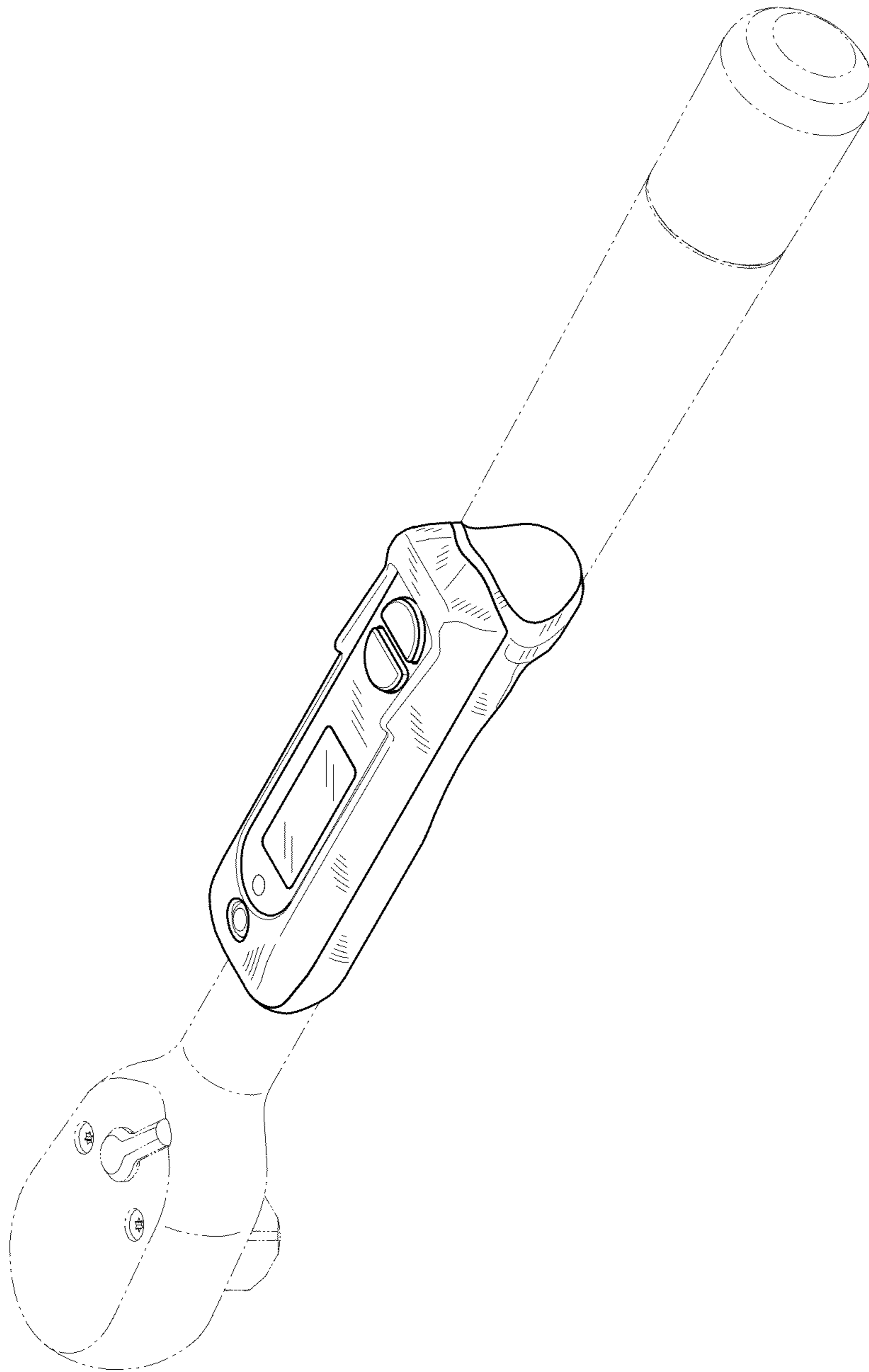


Fig. 1

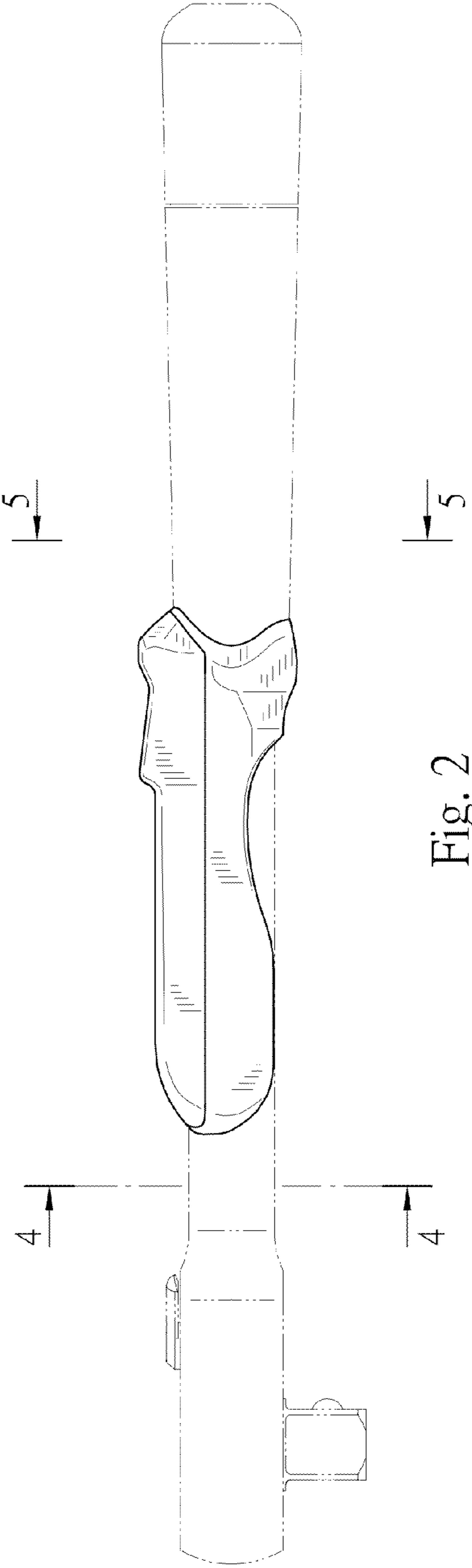


Fig. 2

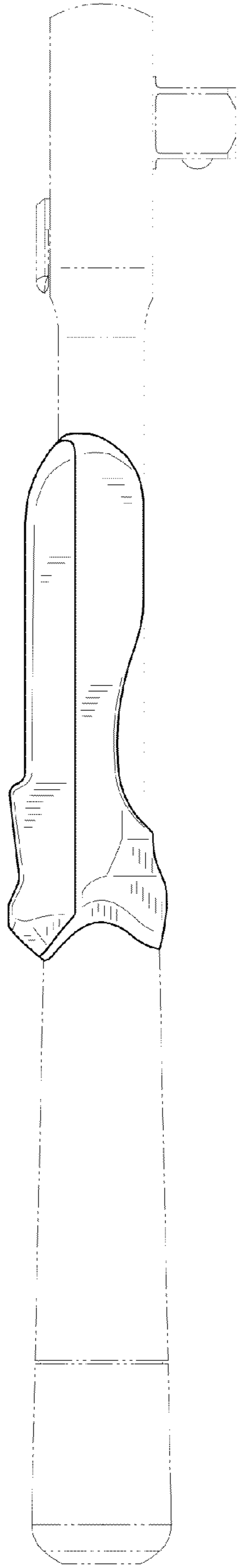


Fig. 3

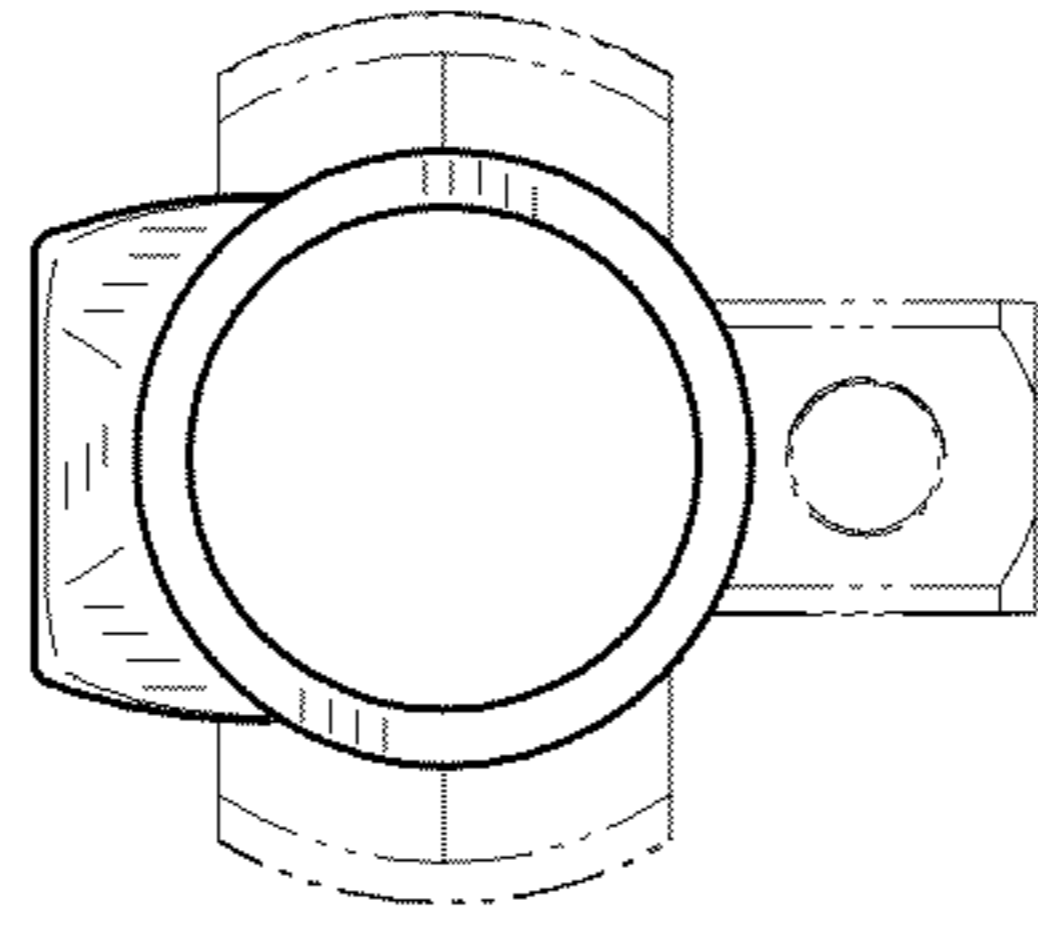


Fig. 5

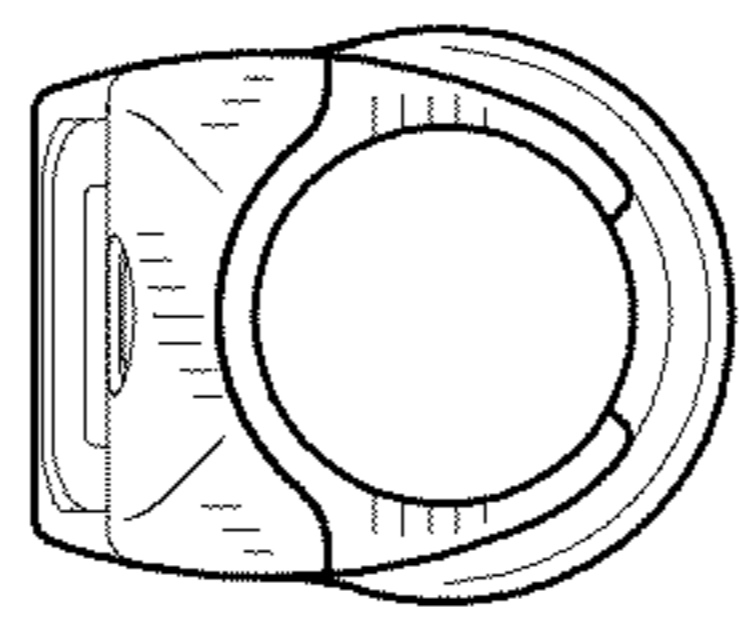


Fig. 4

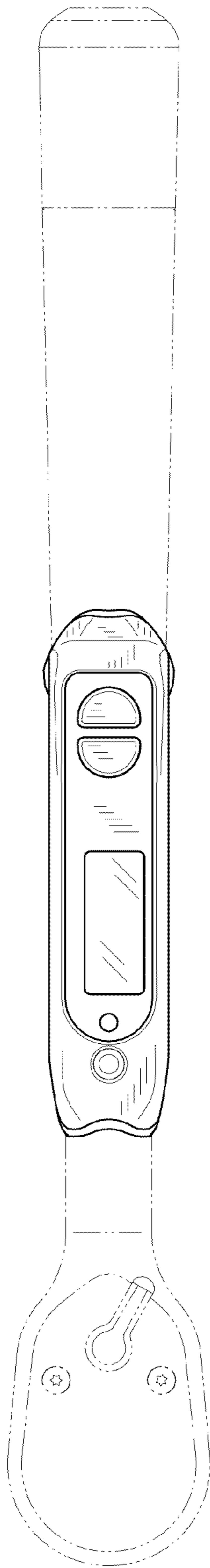


Fig. 6

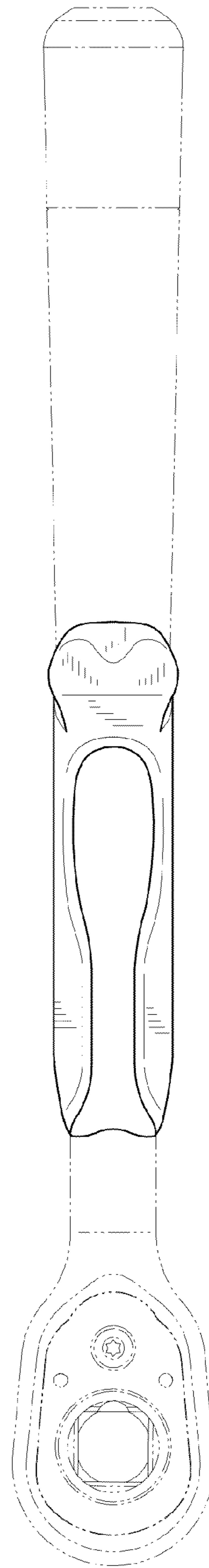


Fig. 7