



US00D687687S

(12) **United States Design Patent**  
**Nelson**

(10) **Patent No.:** **US D687,687 S**

(45) **Date of Patent:** **\*\* Aug. 13, 2013**

(54) **COMBINATION FIVE GALLON BUCKET  
OPENER**

D382,453 S *	8/1997	Drinkwater .....	D8/40
D422,860 S *	4/2000	Vinar .....	D8/40
D501,773 S *	2/2005	Kohn .....	D8/40
D601,395 S *	10/2009	Burton .....	D8/40

(75) Inventor: **Michael R. Nelson**, Peachtree City, GA  
(US)

\* cited by examiner

(73) Assignee: **Home Depot U.S.A., Inc.**, Atlanta, GA  
(US)

*Primary Examiner* — Garth Rademaker

(74) *Attorney, Agent, or Firm* — Fulbright & Jaworski LLP

(\*\*) Term: **14 Years**

(21) Appl. No.: **29/426,200**

(57) **CLAIM**

The ornamental design for a combination five gallon bucket opener, as shown and described.

(22) Filed: **Jul. 2, 2012**

(51) **LOC (9) Cl.** ..... **08-05**

(52) **U.S. Cl.**  
USPC ..... **D8/14; D8/40**

**DESCRIPTION**

(58) **Field of Classification Search**  
USPC ..... D8/14, 16–19, 333–43, 88, 89, 105;  
7/113, 151–156; 30/400–410, 416–430,  
30/433, 434, 443, 450; 81/3.07, 3.09, 3.2,  
81/3.27, 3.29, 3.31, 3.35, 3.37, 3.4, 3.45,  
81/3.48, 3.49, 3.55

FIG. 1 is a front perspective view of a combination five gallon bucket opener, showing the design;  
FIG. 2 is a right side elevation view thereof;  
FIG. 3 is a left side elevation view thereof;  
FIG. 4 is a rear elevation view thereof;  
FIG. 5 is a front elevation view thereof;  
FIG. 6 is a top plan view thereof;  
FIG. 7 is a bottom plan view thereof;  
FIG. 8 is a left side elevation view thereof, shown in an environment of use; and,  
FIG. 9 is a rear perspective view thereof, shown in an environment of use.

See application file for complete search history.

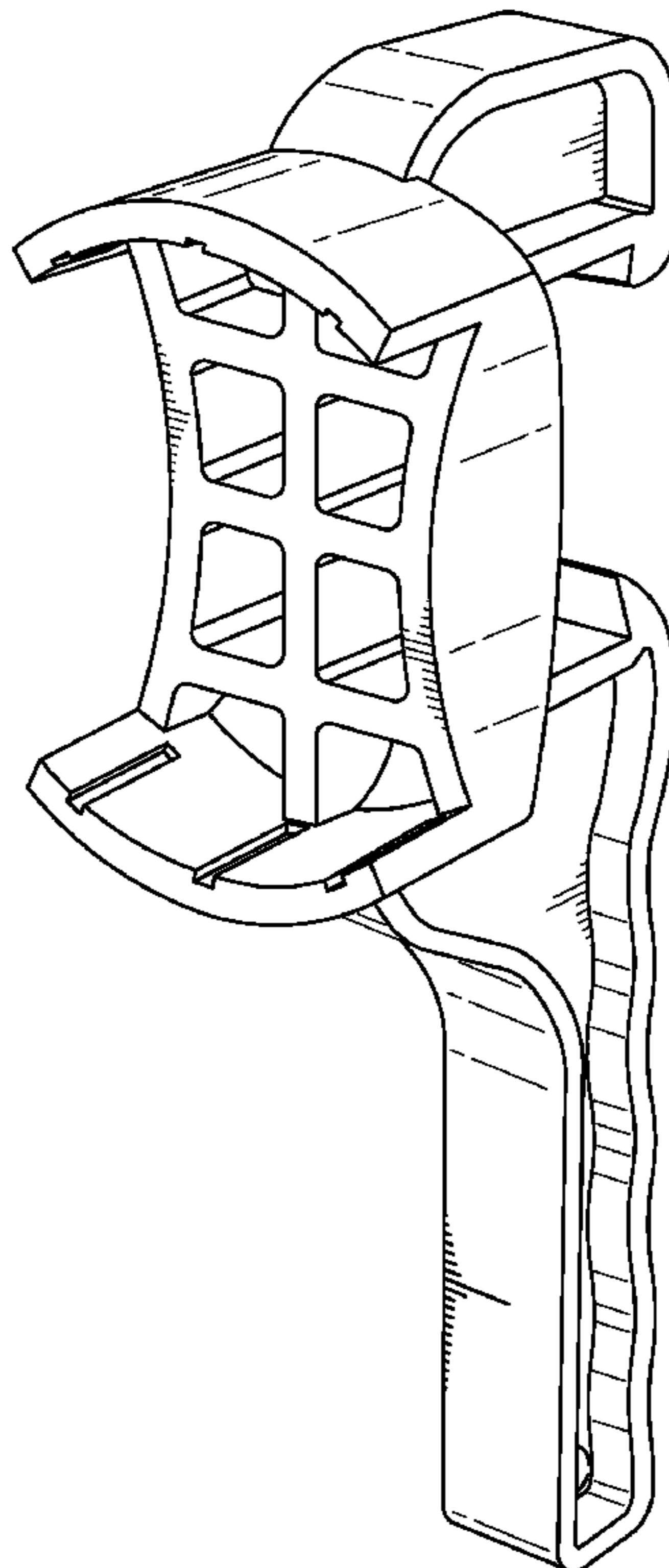
The broken lines in FIGS. 1-3, 8, and 9 are included for the purpose of illustrating unclaimed environment and form no part of the claimed design.

(56) **References Cited**

U.S. PATENT DOCUMENTS

D245,393 S *	8/1977	Madsen et al. ....	D8/18
D254,834 S *	4/1980	Madsen et al. ....	D8/18
D296,411 S *	6/1988	Madsen et al. ....	D8/18
D304,992 S *	12/1989	Matthies .....	D8/40
D319,954 S *	9/1991	Able et al. ....	D8/18
5,069,090 A *	12/1991	Clark .....	81/3.09

**1 Claim, 6 Drawing Sheets**



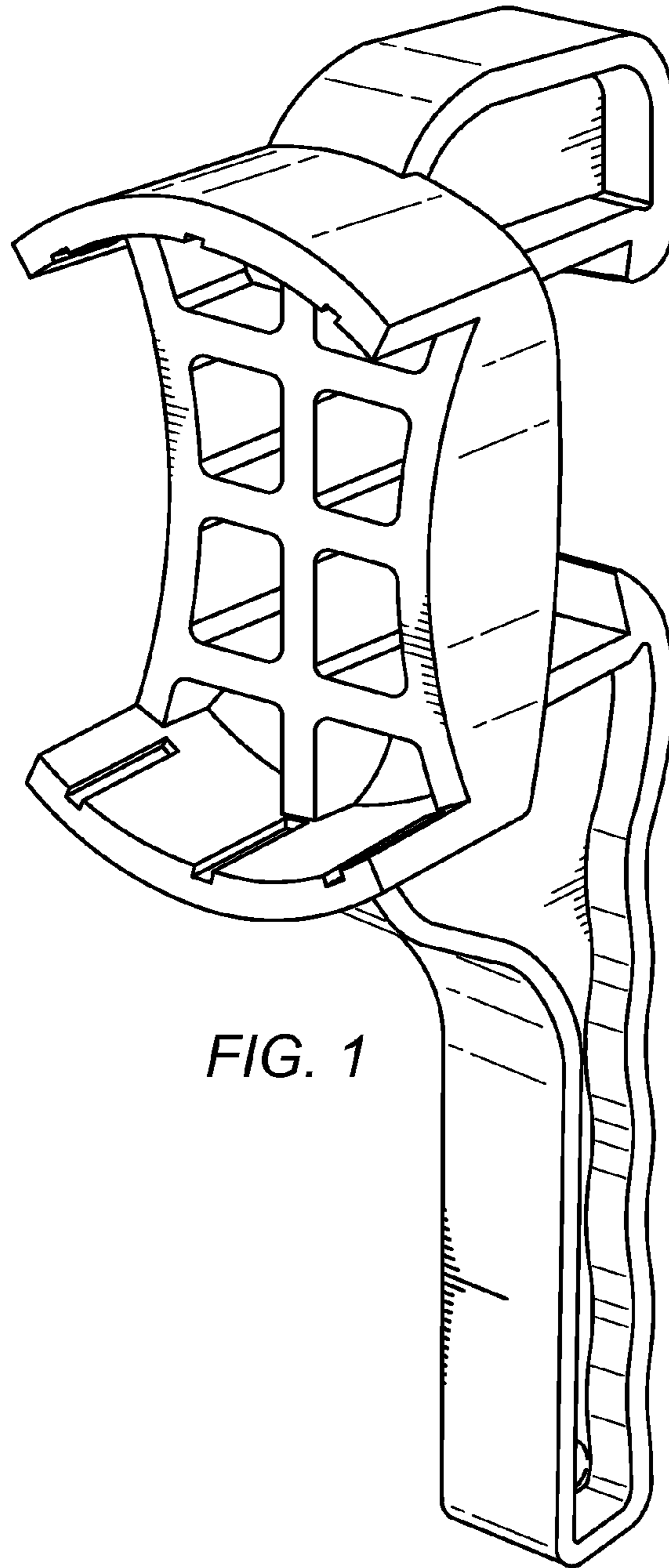


FIG. 1

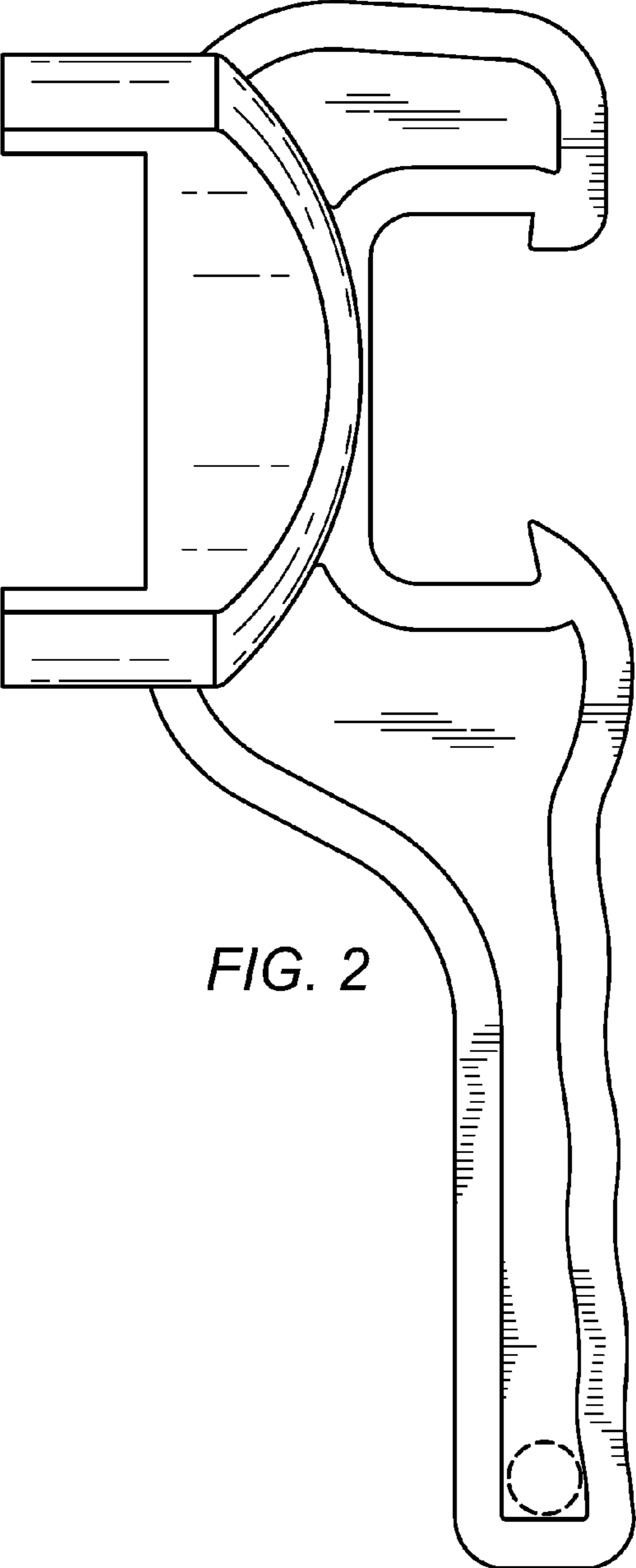


FIG. 2

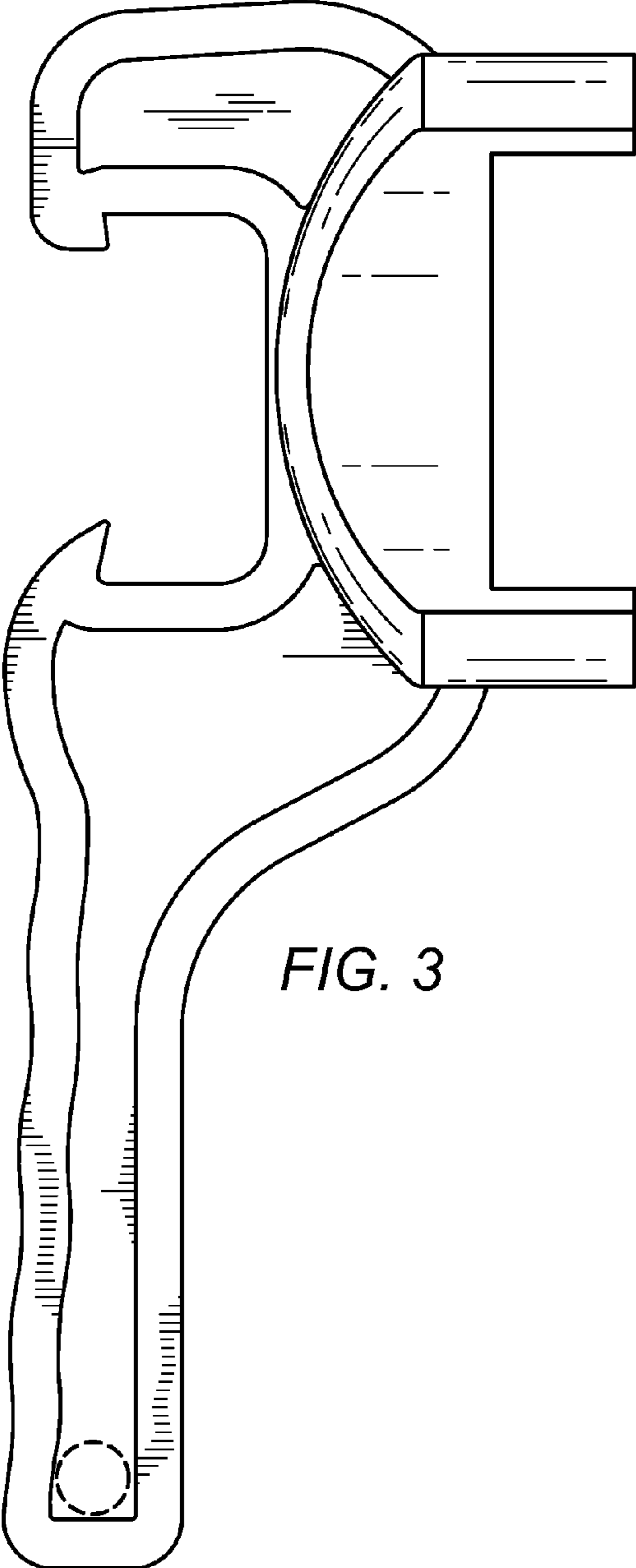


FIG. 3

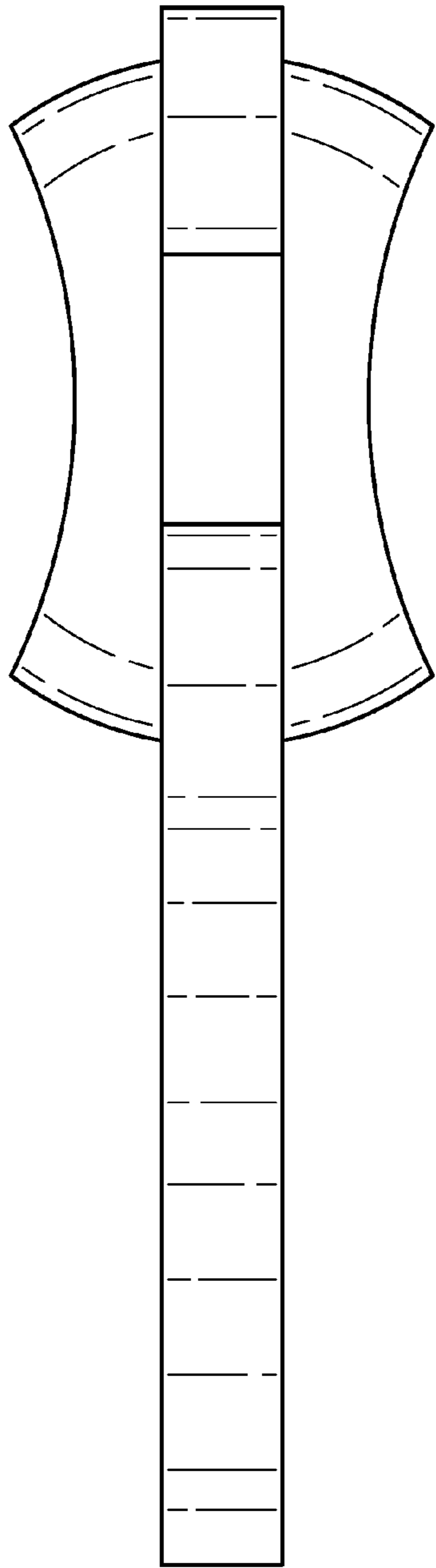


FIG. 4

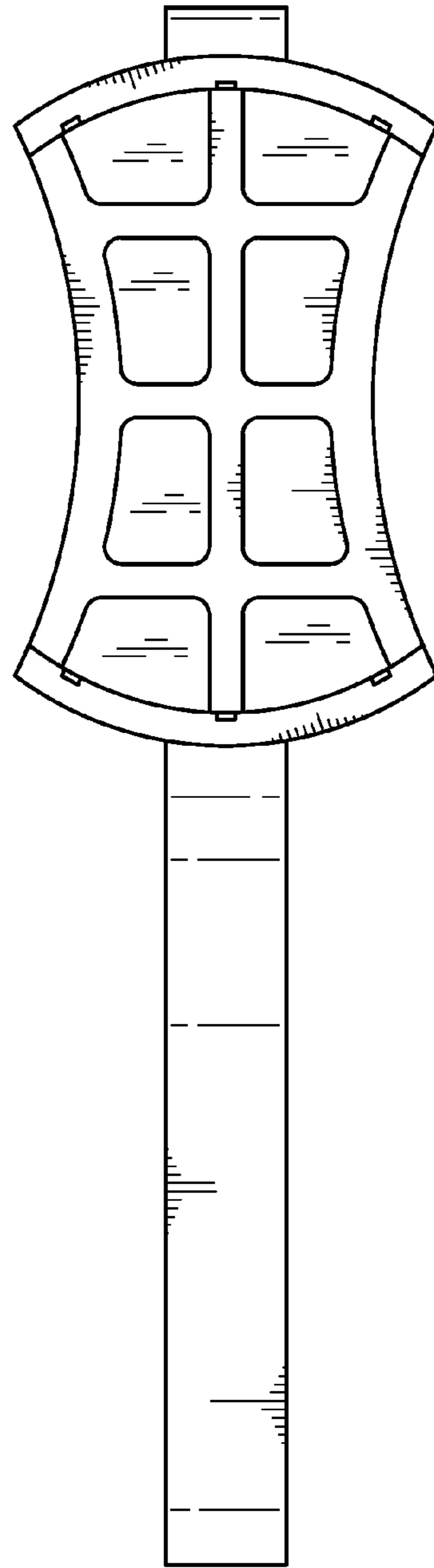


FIG. 5

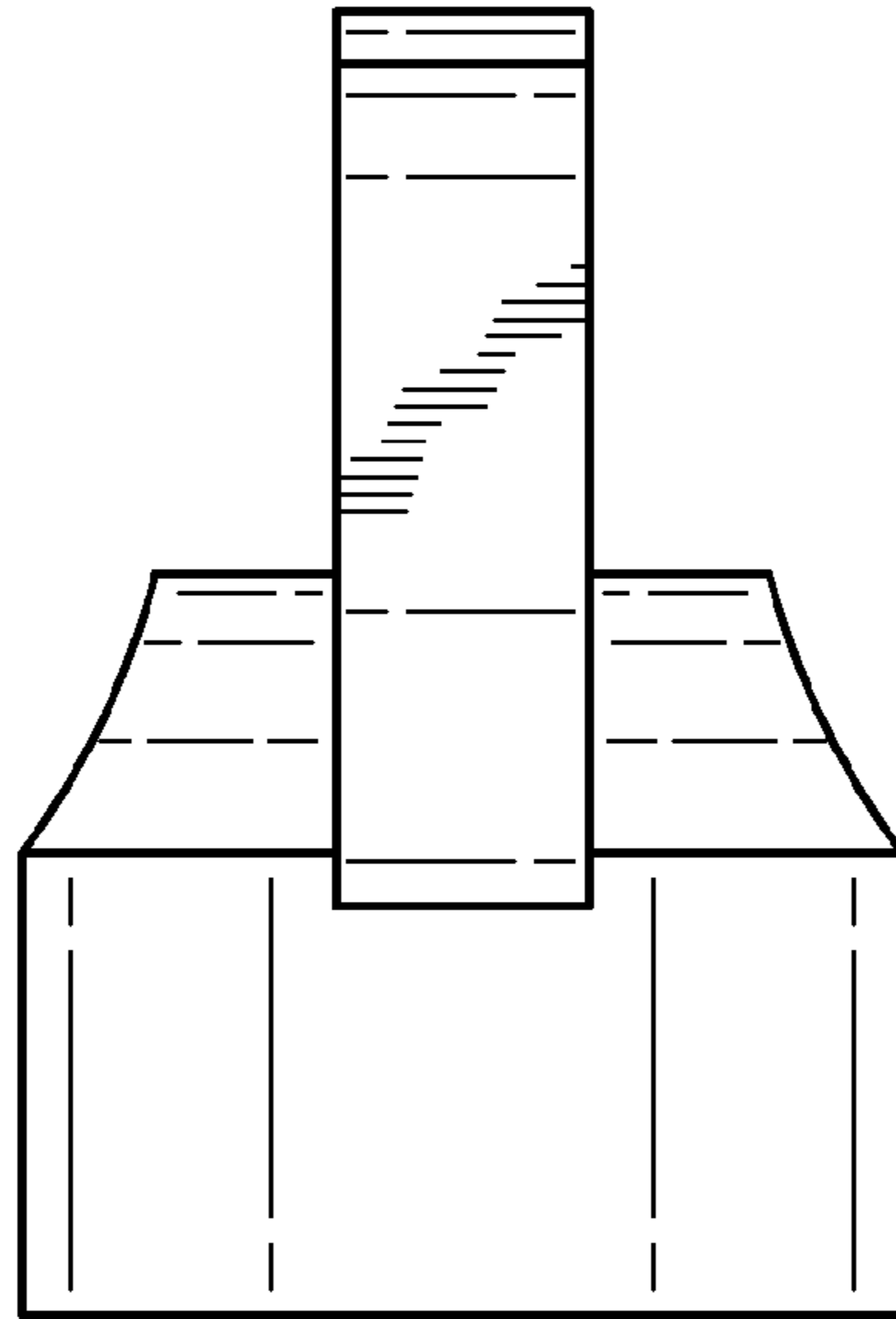


FIG. 6

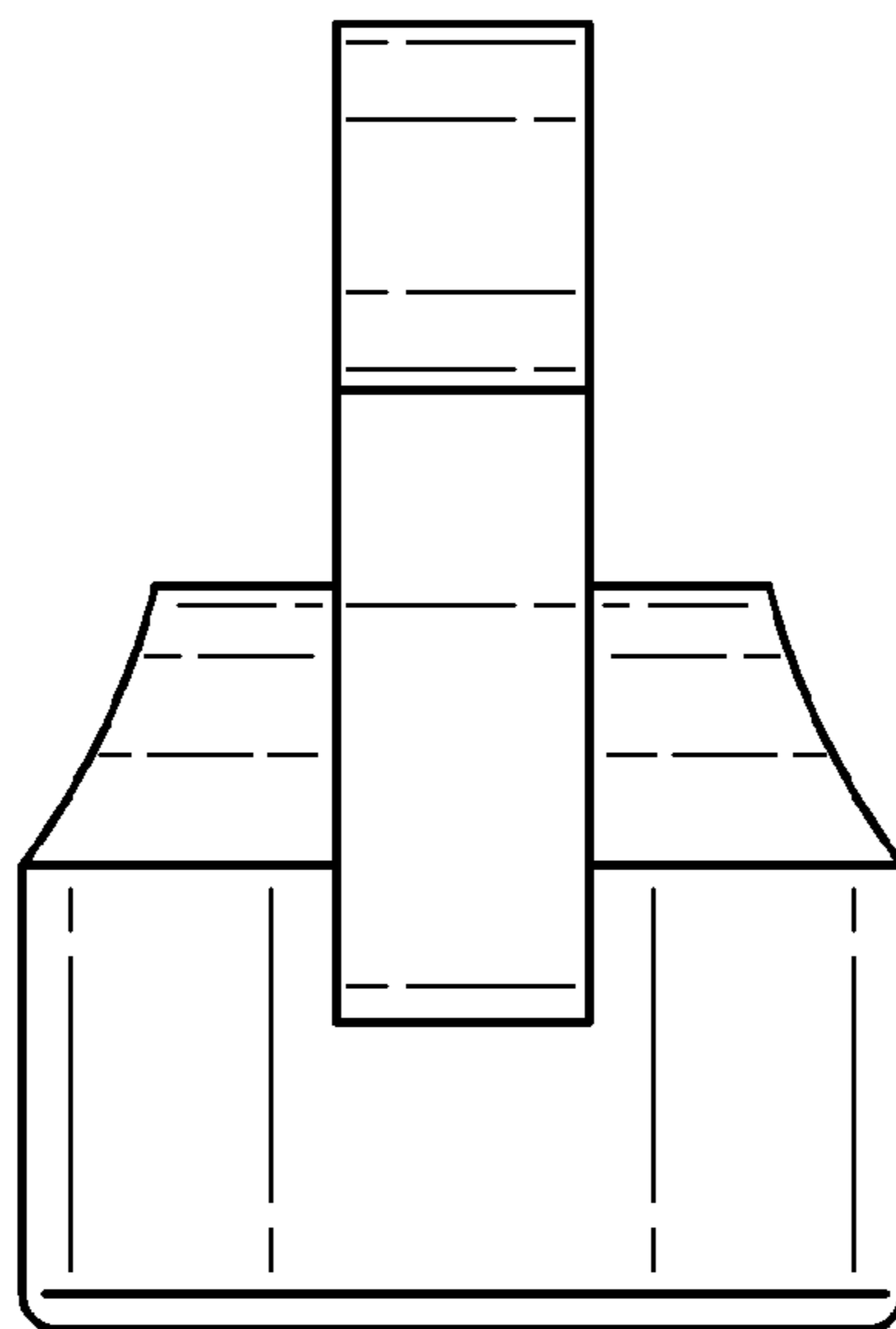
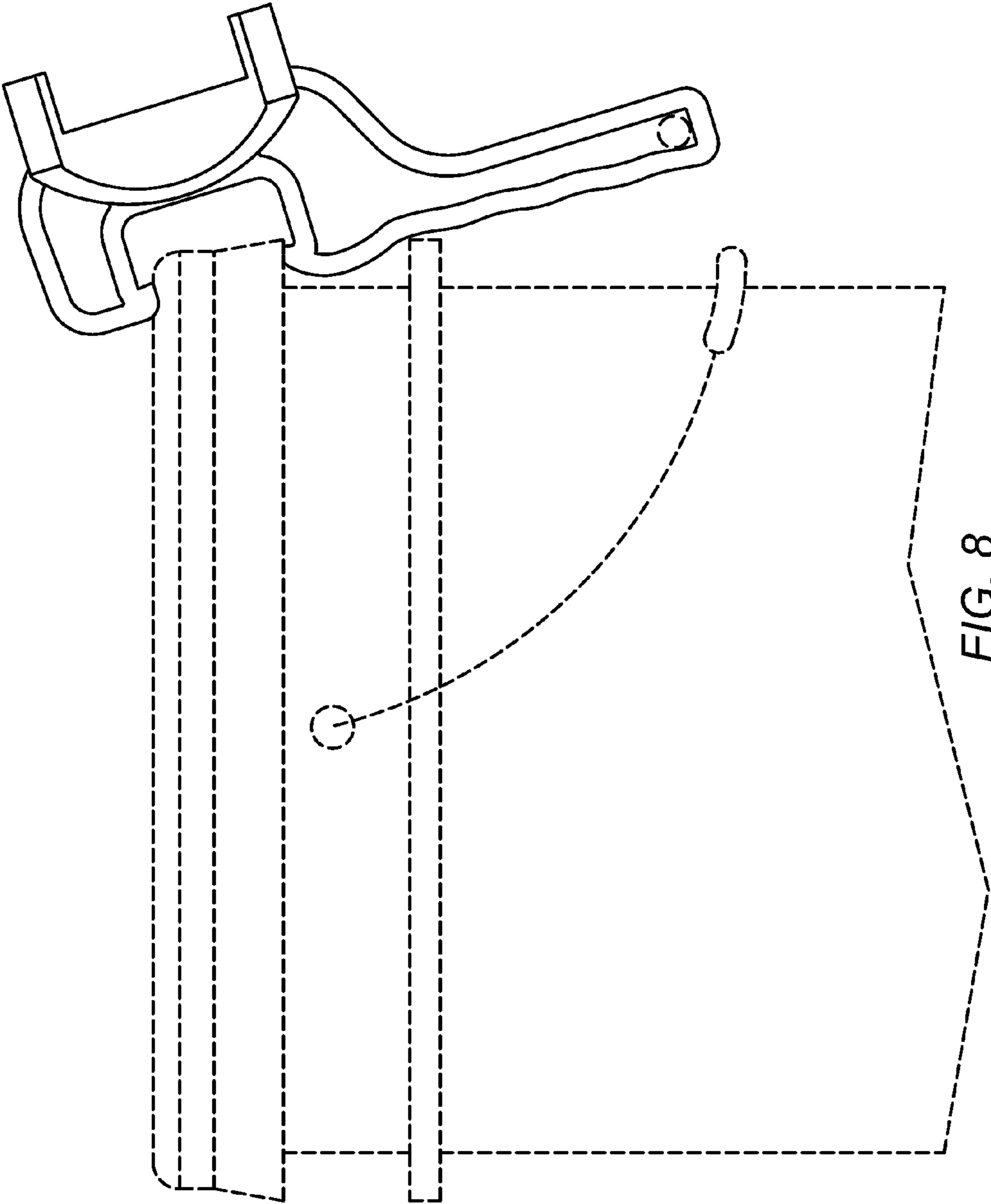


FIG. 7



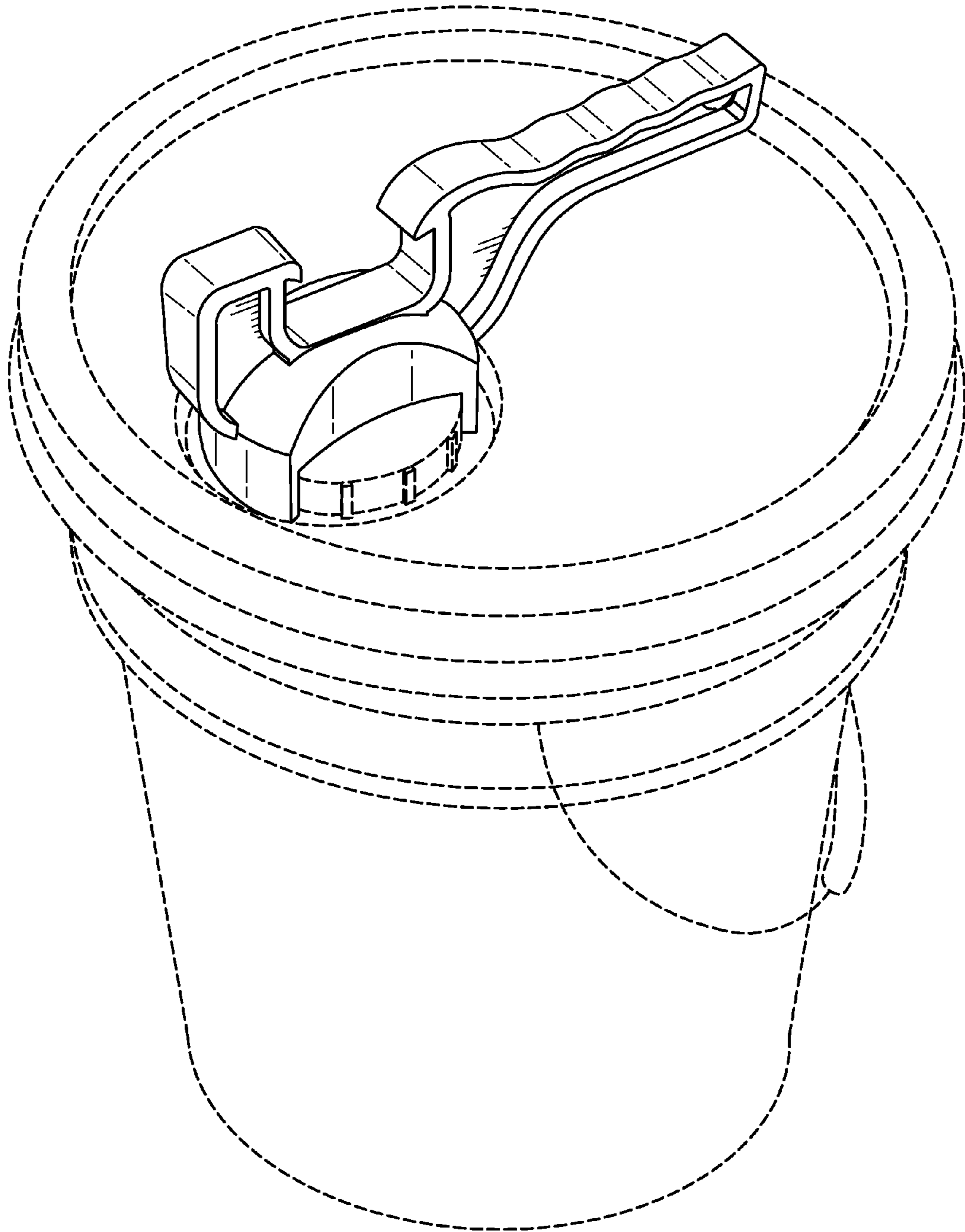


FIG. 9