



US00D687686S

(12) **United States Design Patent**
Robinson

(10) **Patent No.:** **US D687,686 S**

(45) **Date of Patent:** **** Aug. 13, 2013**

(54) **BUCKLE RELEASE TOOL**

(76) Inventor: **Marlene G. Robinson**, San Ramon, CA (US)

(**) Term: **14 Years**

(21) Appl. No.: **29/411,376**

(22) Filed: **Jan. 19, 2012**

(51) **LOC (9) Cl.** **08-05**

(52) **U.S. Cl.**

USPC **D8/14**

(58) **Field of Classification Search**

USPC D8/14, 107, 305, 307, 310, 499;
D21/621, 661; 7/170; 81/488, 489; D18/15,
D18/18

See application file for complete search history.

(56) **References Cited**

U.S. PATENT DOCUMENTS

D292,771	S	*	11/1987	Kim	D8/25
D396,179	S	*	7/1998	Burns et al.	D8/310
D401,834	S	*	12/1998	Burns et al.	D8/310
D429,455	S	*	8/2000	Burns et al.	D8/310
D430,087	S	*	8/2000	Schumacher	D12/179
D496,845	S	*	10/2004	Smeja et al.	D8/107
D584,127	S	*	1/2009	Matijevic	D8/312
D594,308	S	*	6/2009	Davies et al.	D8/98
D644,901	S	*	9/2011	Christopher	D8/83
D667,285	S	*	9/2012	Welsch et al.	D8/62

OTHER PUBLICATIONS

Buckle Bopper—<http://www.arthritissupplies.com/product.asp?itemid=2034&gclid=CJ6dmpi14LcCFU6i4> . . . Jun. 13, 2013.*

* cited by examiner

Primary Examiner — Philip S Hyder

Assistant Examiner — Roselynn Cody

(74) *Attorney, Agent, or Firm* — Charles L. Thoeming

(57) **CLAIM**

The ornamental design for a buckle release tool, as shown and described.

DESCRIPTION

FIG. 1 is a perspective front view from above right of a buckle release tool showing my new design.

FIG. 2 is a front view showing a palm print in broken lines on the domed area of the buckle release tool of FIG. 1. The broken line palm print forms no part of the claim.

FIG. 3 is a left side view of the buckle release tool of FIG. 1 showing my new design.

FIG. 4 is a right side view of the buckle release tool of FIG. 1 showing my new design.

FIG. 5 is a top view of the buckle release tool of FIG. 1 showing my new design.

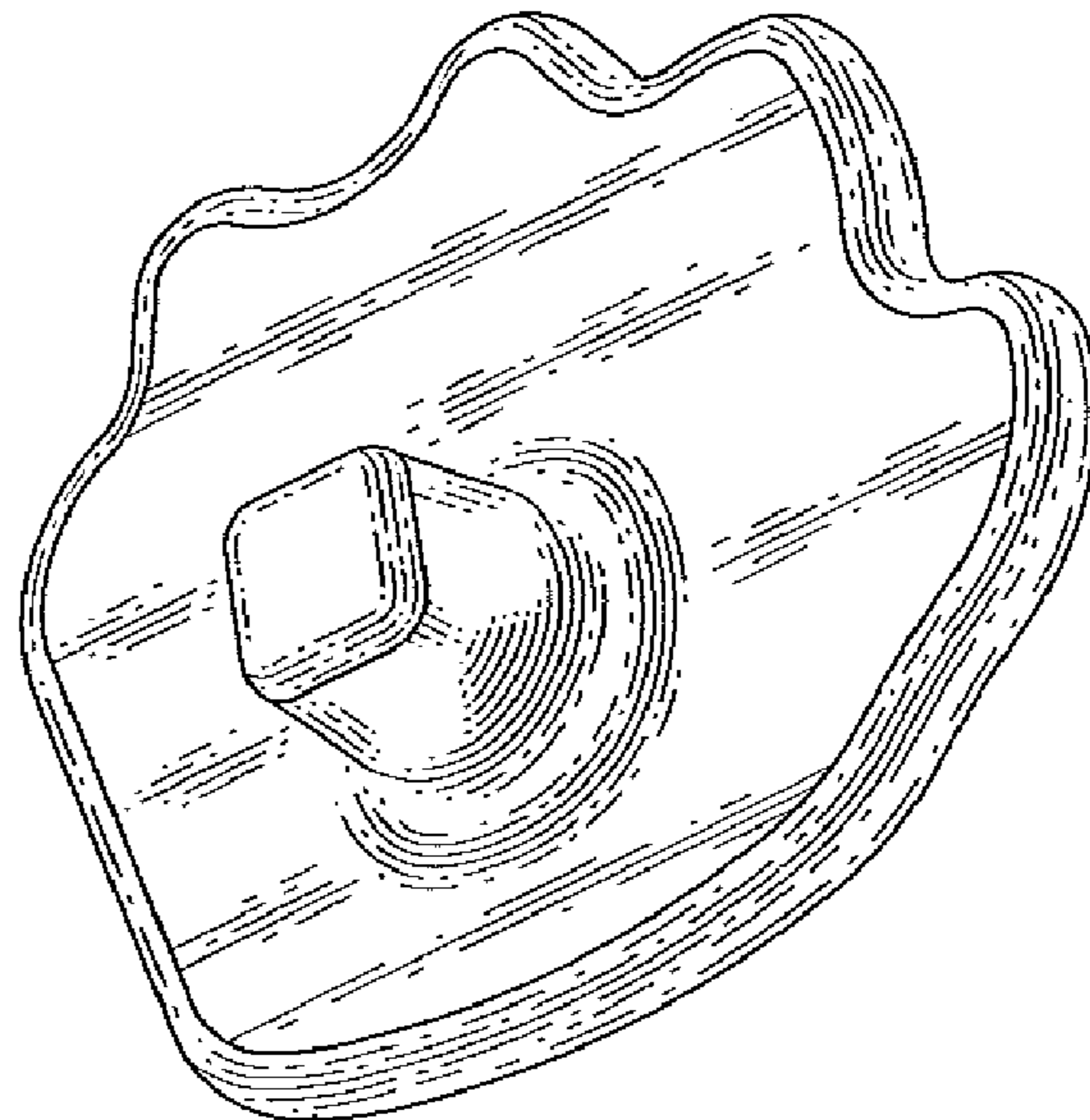
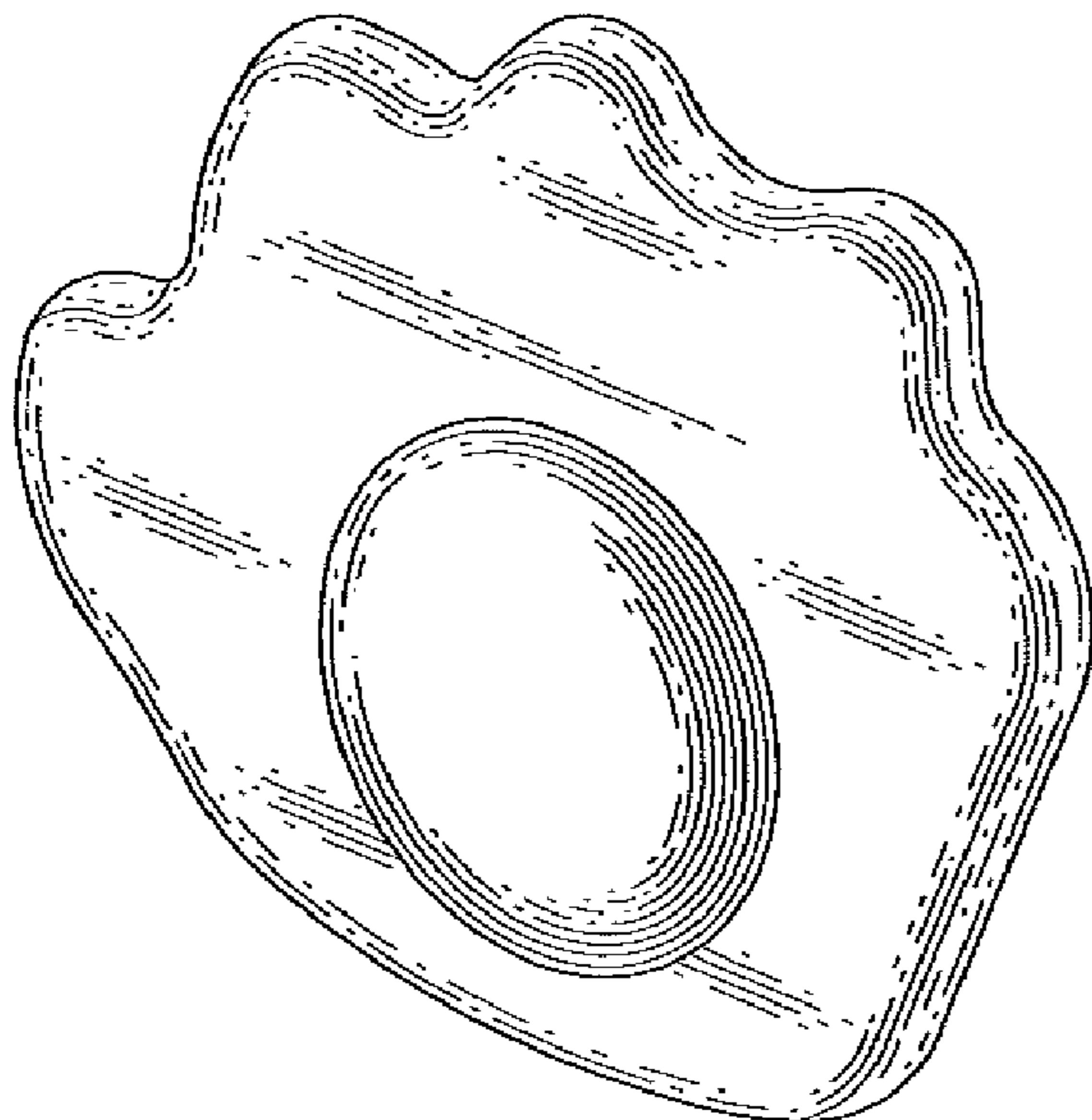
FIG. 6 is a bottom view of the buckle release tool of FIG. 1 showing my new design.

FIG. 7 is a rear view of the buckle release tool of FIG. 1 showing my new design.

FIG. 8 is a perspective rear view from below right of the buckle release tool showing my new design; and,

FIG. 9 is a perspective view of the buckle release tool of FIG. 1 showing my new design as used in an environment. The broken lines showing of a partial seat belt buckle and an operator's hands of FIG. 9 are for illustrative purposes only and form no part of the claimed design.

1 Claim, 2 Drawing Sheets



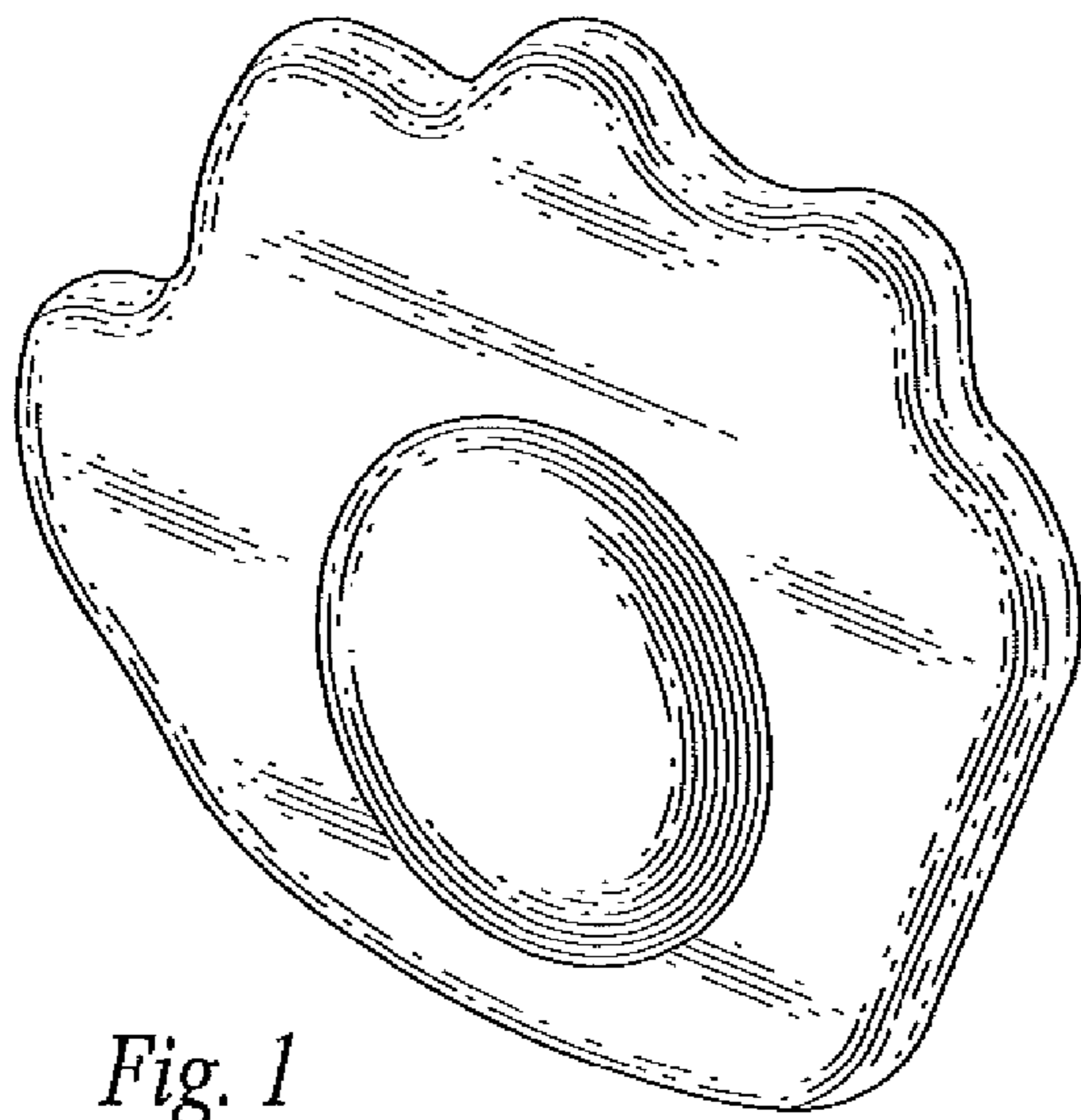


Fig. 1

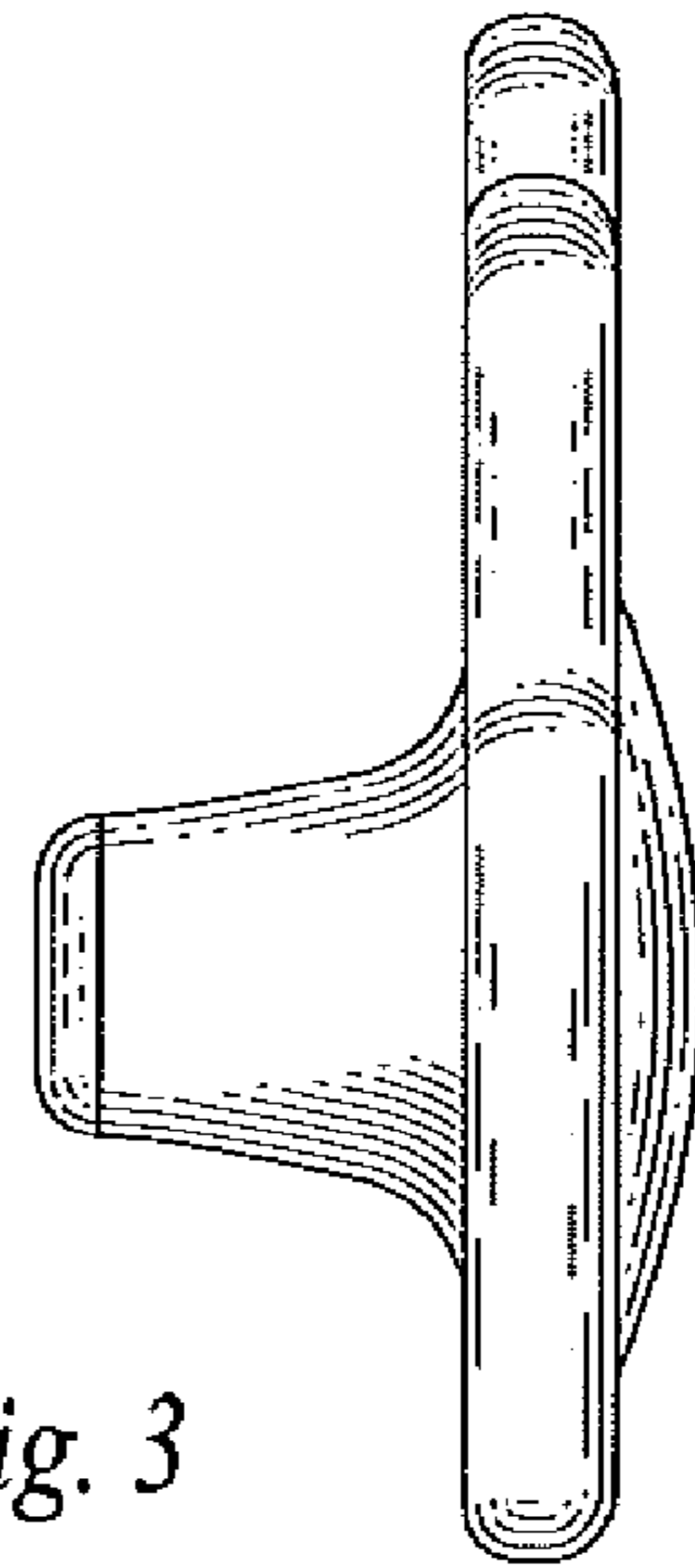


Fig. 3

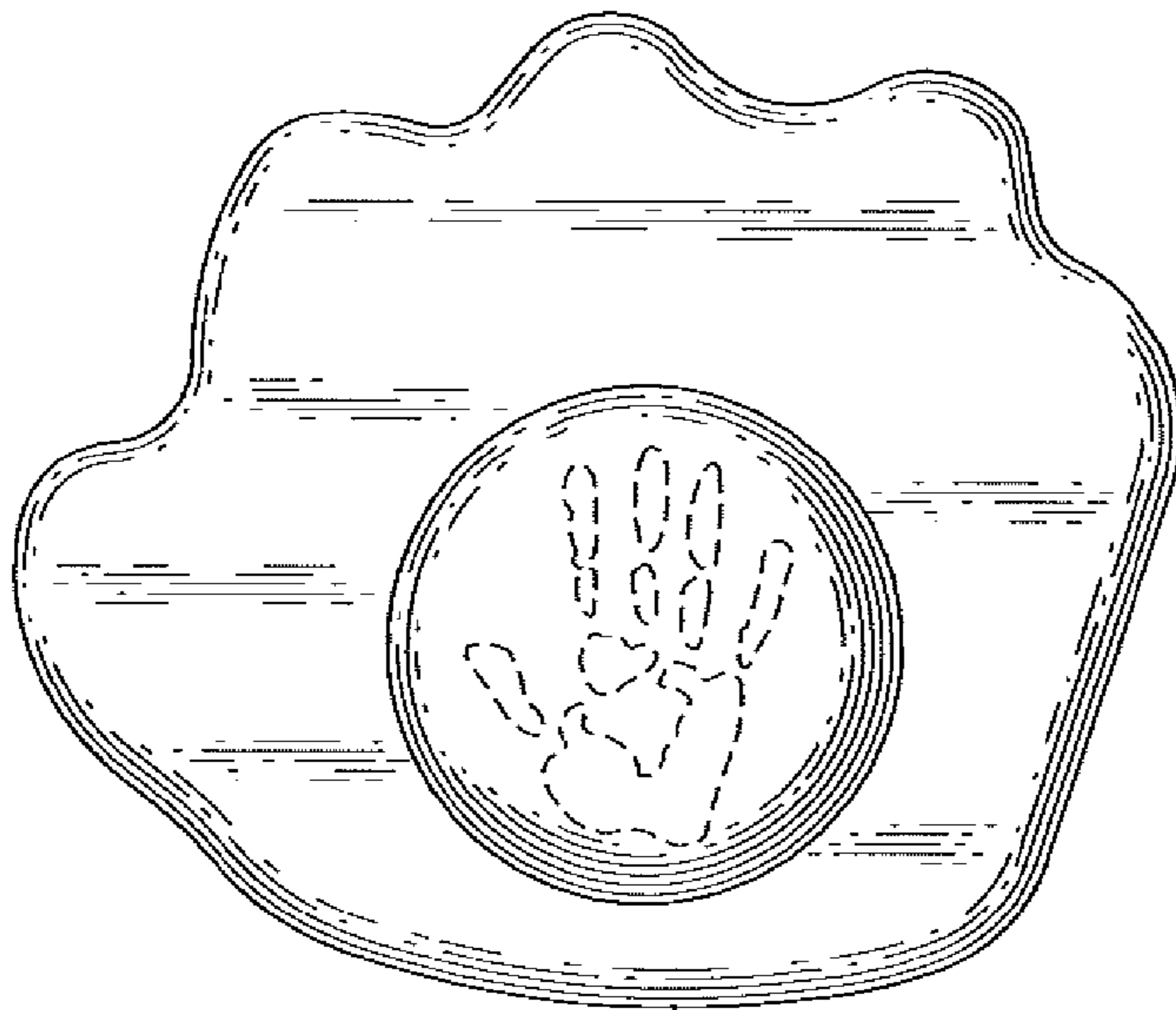


Fig. 2

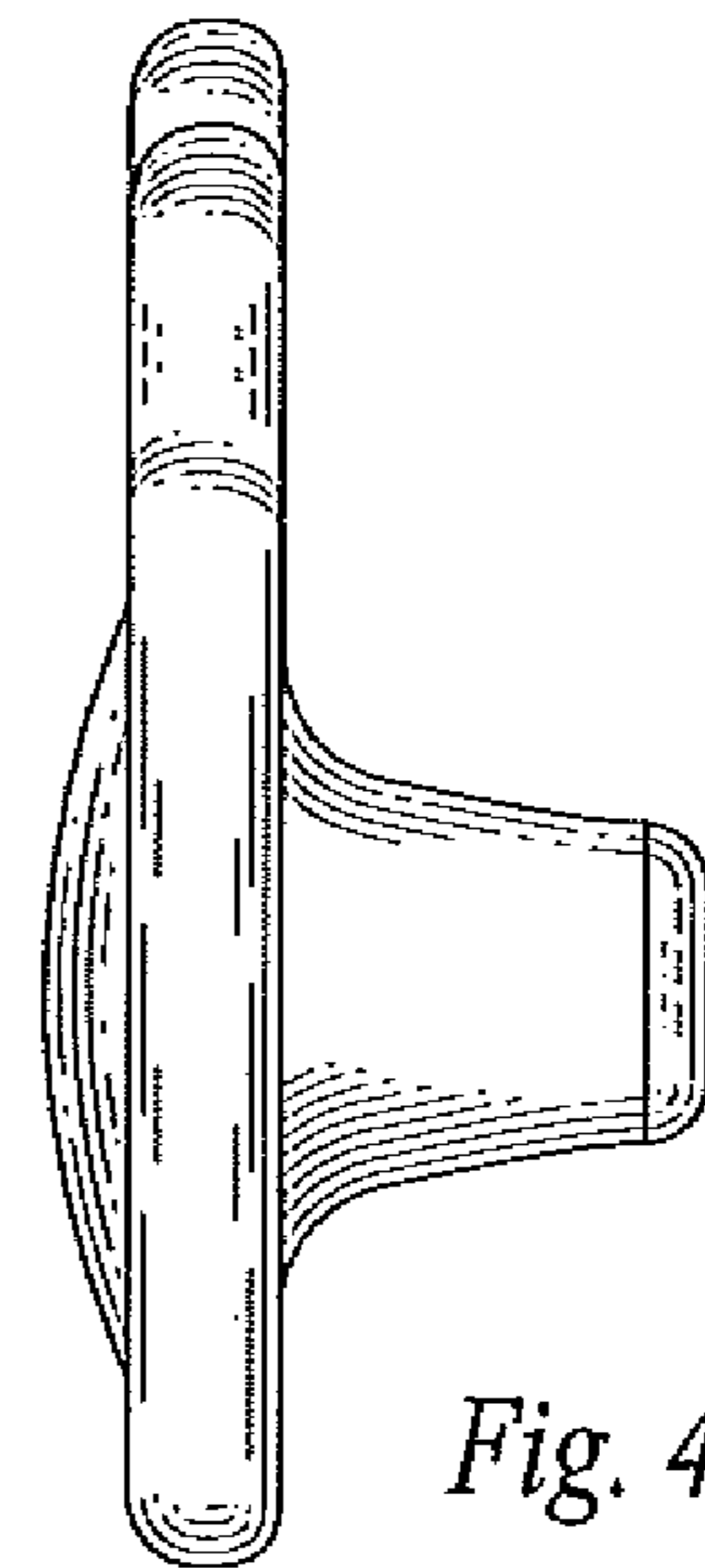


Fig. 4

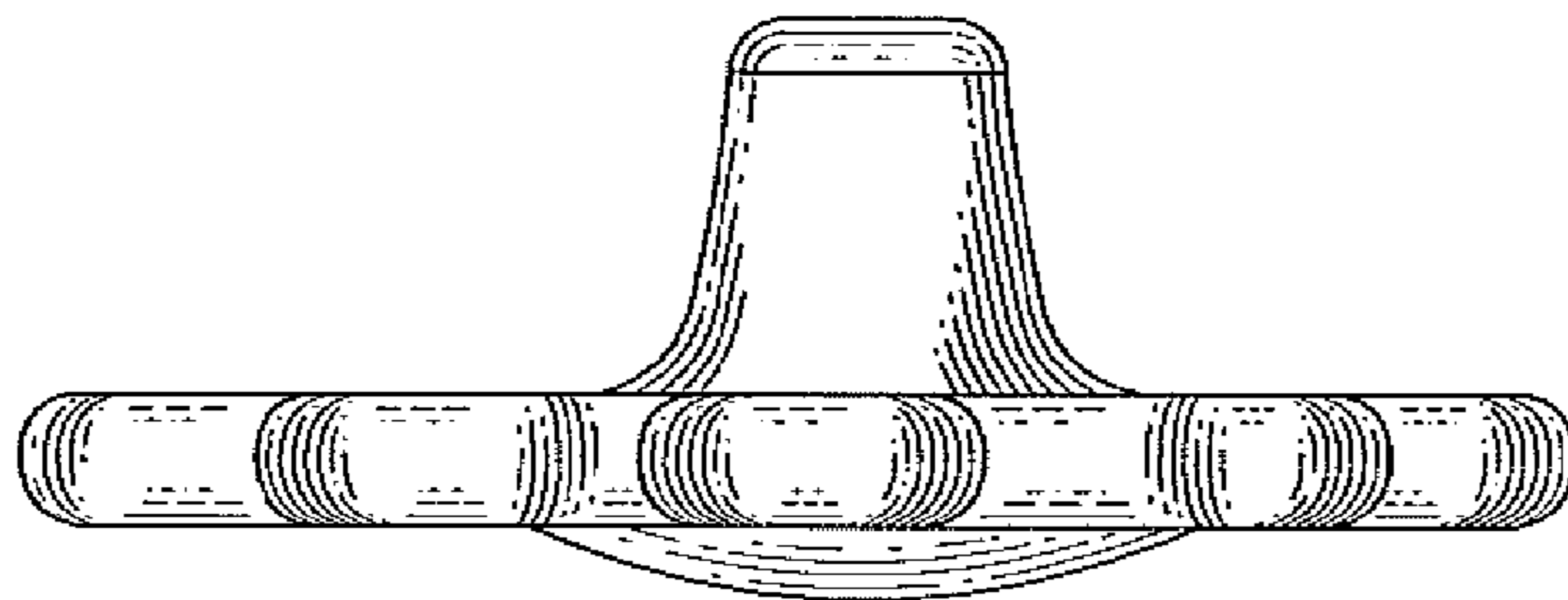


Fig. 5

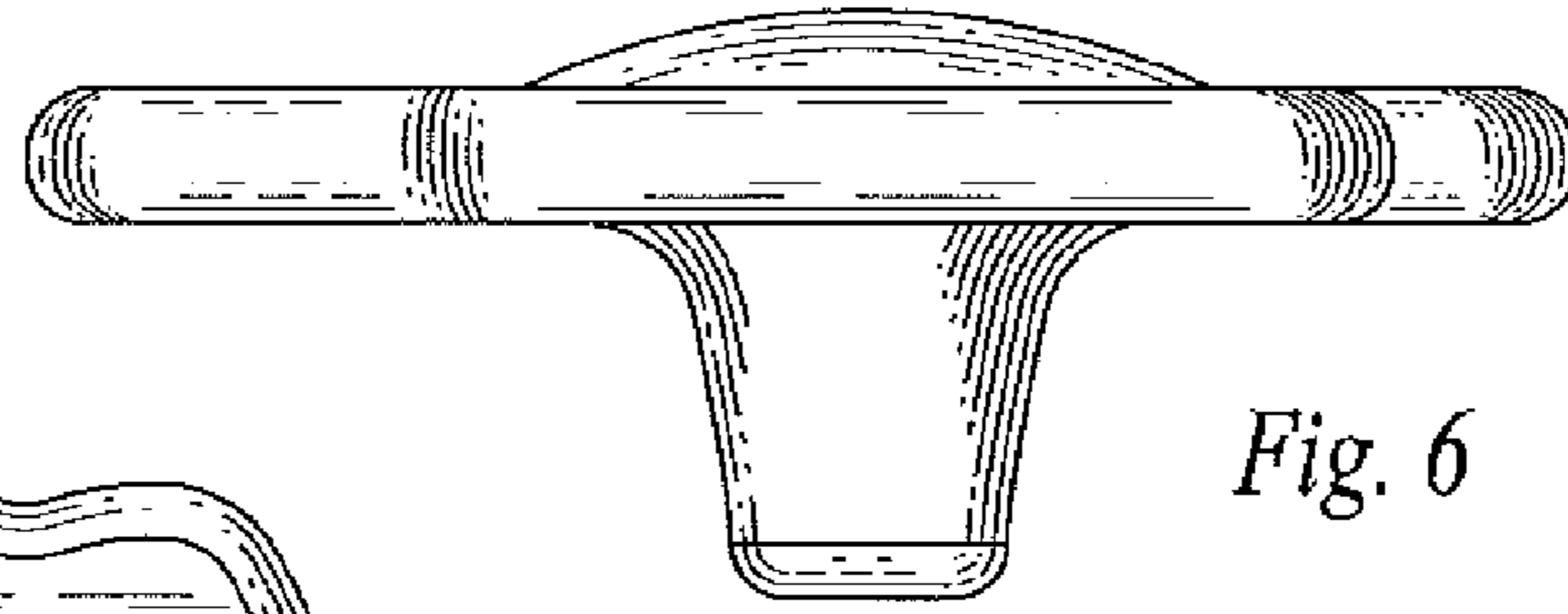


Fig. 6

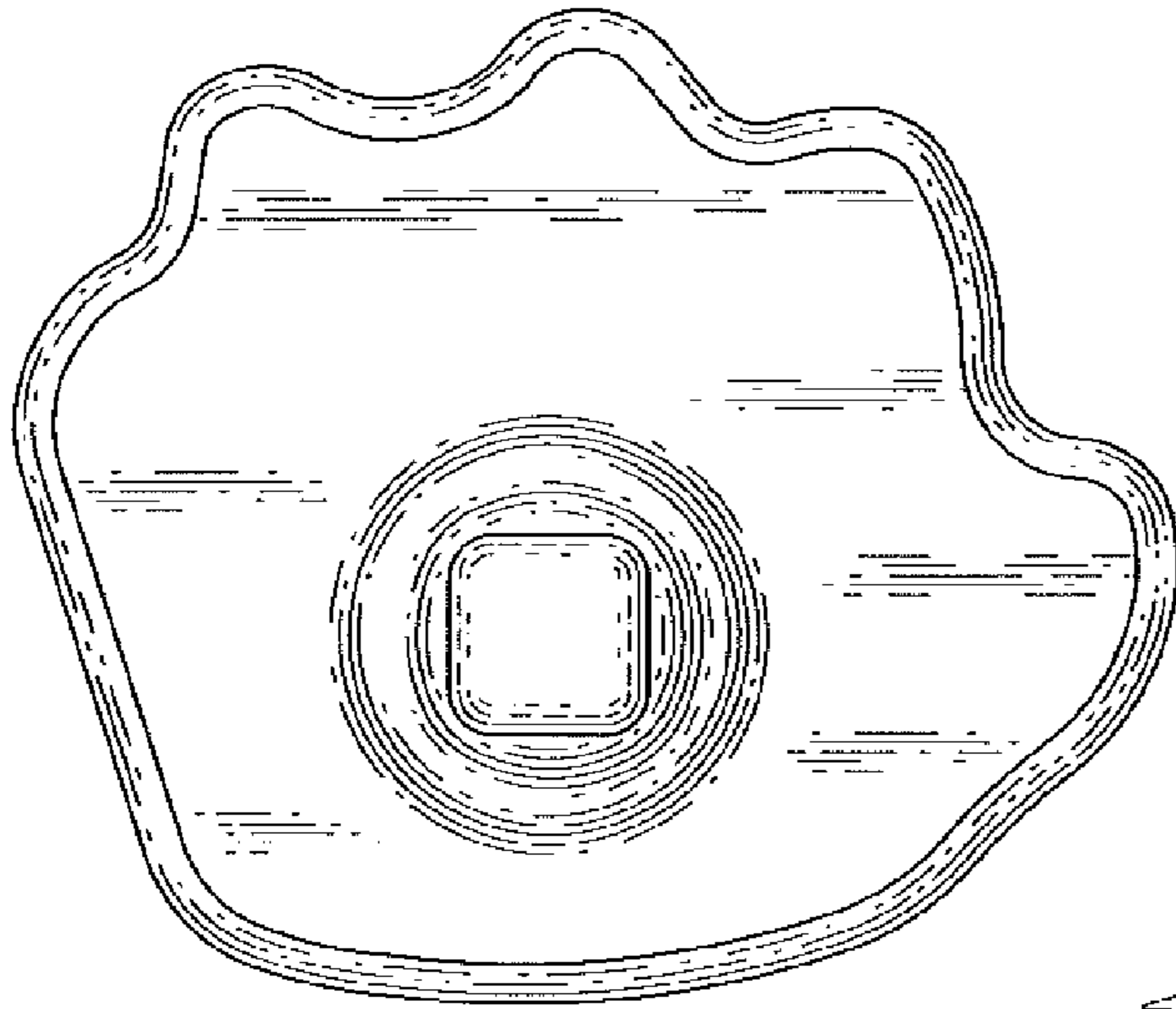


Fig. 7

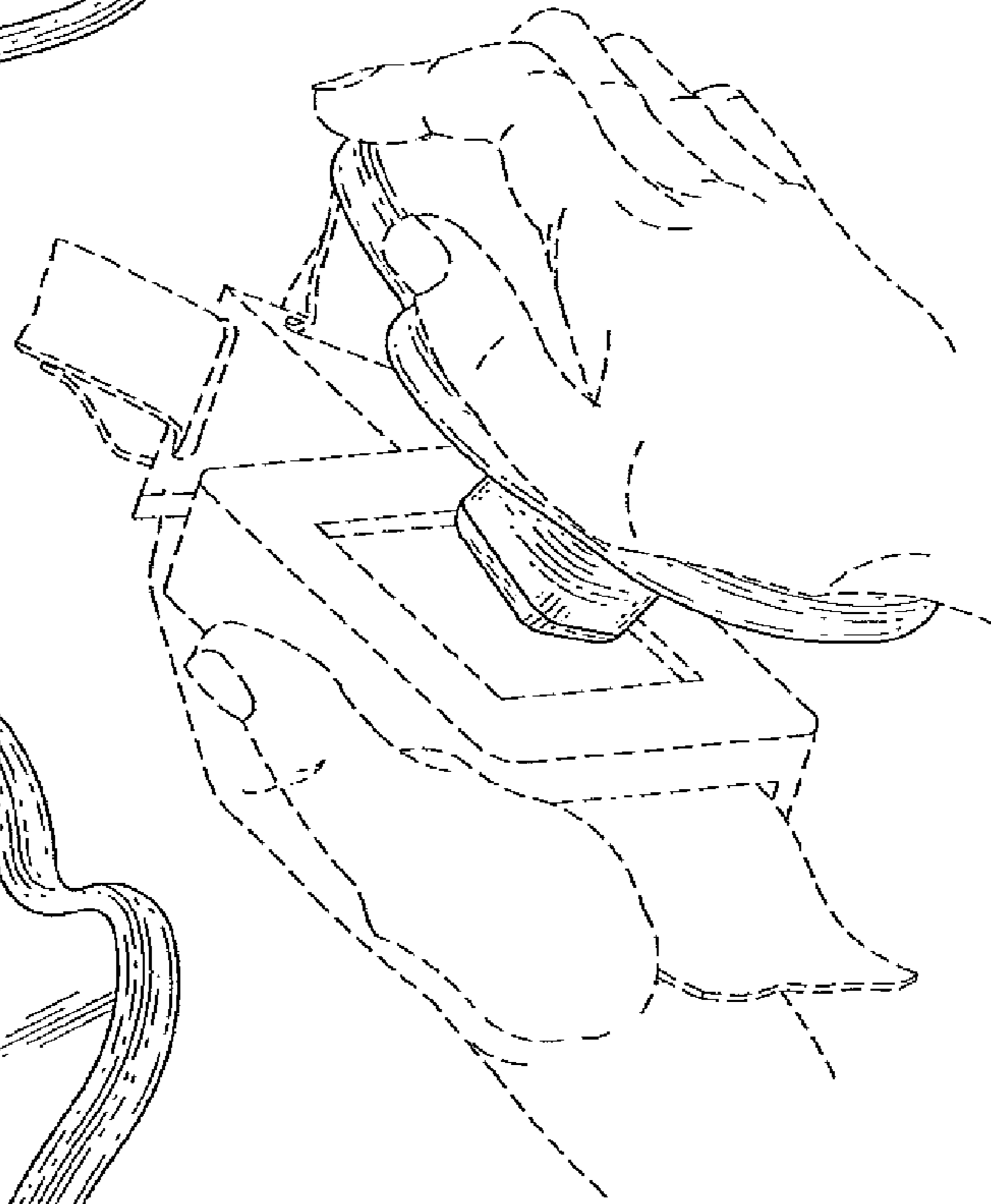


Fig. 9

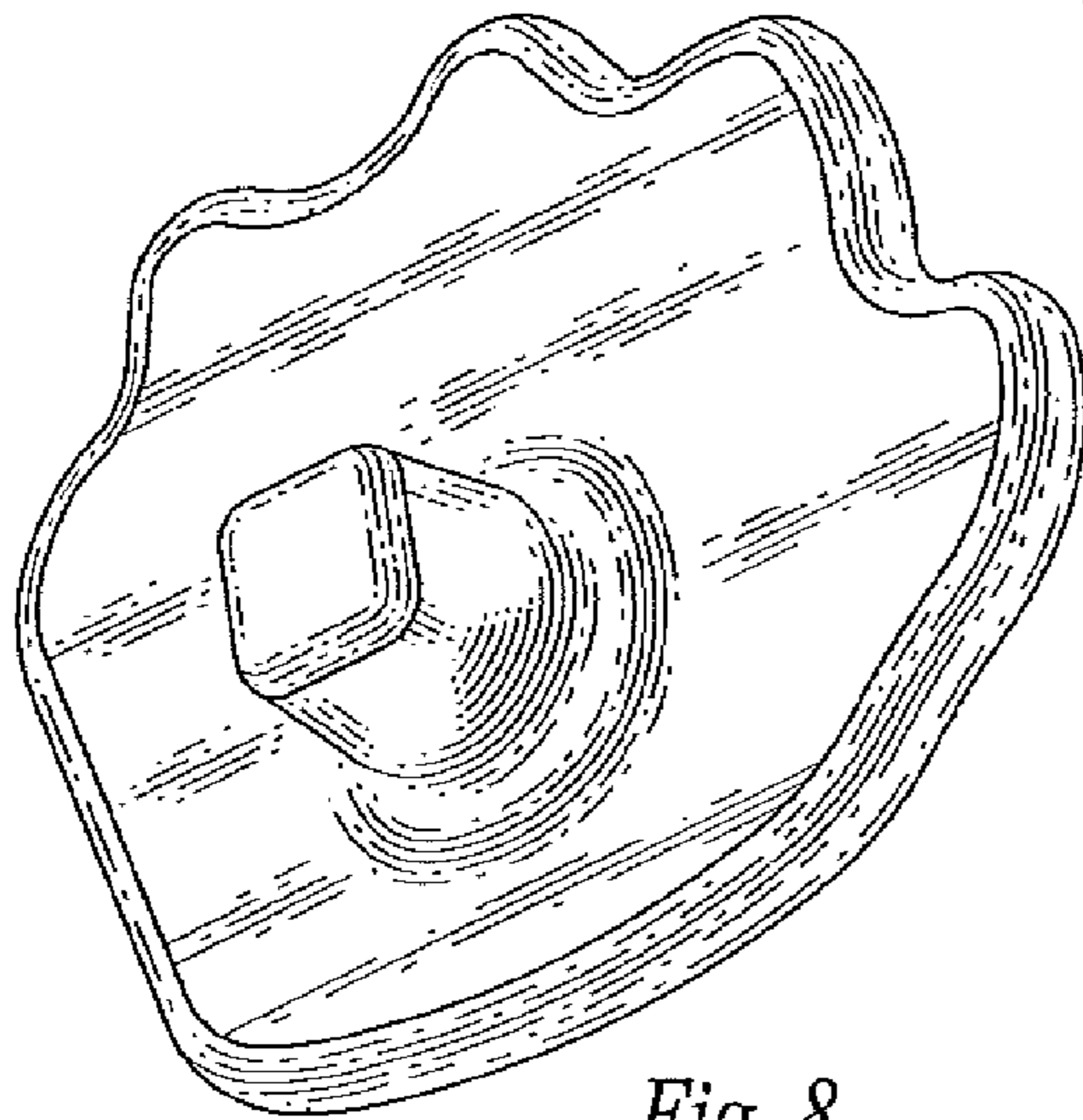


Fig. 8