



US00D687684S

(12) **United States Design Patent**
Olson et al.

(10) **Patent No.:** **US D687,684 S**

(45) **Date of Patent:** **** Aug. 13, 2013**

(54) **INTERFACE FOR A CONNECTOR FOR A
LAWN TOOL**

(75) Inventors: **John W. Olson**, Simpsonville, SC (US);
Matthew H. Malone, Sr., Anderson, SC
(US)

(73) Assignee: **Techtronic Outdoor Products
Technology Limited**, Hamilton (BM)

(**) Term: **14 Years**

(21) Appl. No.: **29/417,135**

(22) Filed: **Mar. 30, 2012**

(51) **LOC (9) Cl.** **08-01**

(52) **U.S. Cl.**
USPC **D8/8**

(58) **Field of Classification Search**
USPC D8/8, 382, 1, 499; 30/216, 208,
30/276, 228, 382, 383, 347; 56/12.7, 233,
56/234-237; 403/292-293
See application file for complete search history.

(56) **References Cited**

U.S. PATENT DOCUMENTS

4,986,690	A *	1/1991	Cooksey	403/319
D395,865	S *	7/1998	Powell et al.	D12/220
7,004,668	B2 *	2/2006	Lombardo et al.	403/293
7,731,520	B1 *	6/2010	Daily et al.	439/357
2012/0066915	A1 *	3/2012	Alliss	30/347

* cited by examiner

Primary Examiner — Sheryl Lane

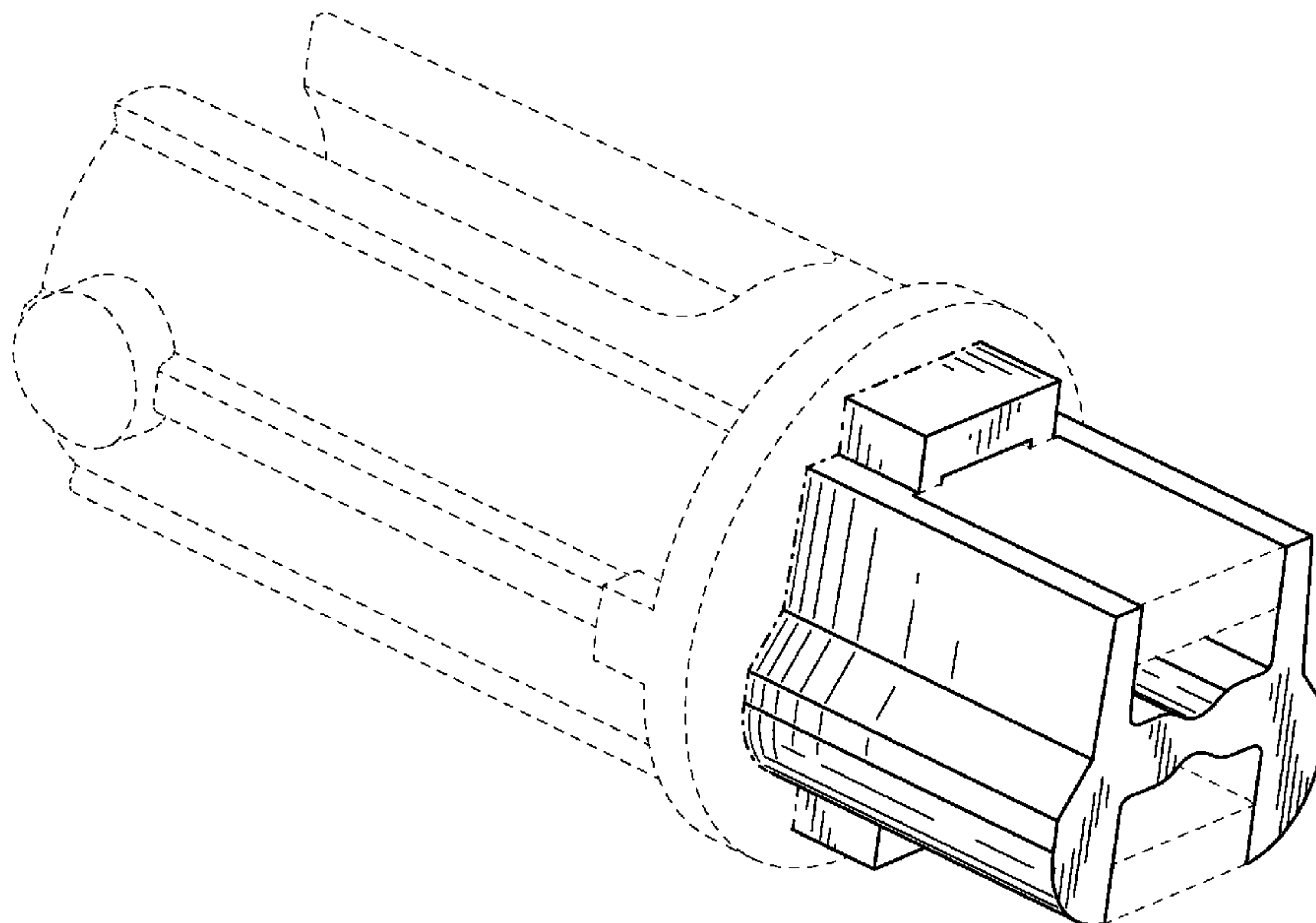
(74) *Attorney, Agent, or Firm* — Michael Best & Friedrich LLP

(57) **CLAIM**
We claim the ornamental design for interface for a connector for a lawn tool, as shown and described in the figures.

DESCRIPTION

FIG. 1 is a front perspective view of an interface for a connector for a lawn tool according to the invention.
 FIG. 2 is a second front perspective view of the interface for a connector for a lawn tool of FIG. 1.
 FIG. 3 is a first rear perspective view of the interface for a connector for a lawn tool of FIG. 1.
 FIG. 4 is a second rear perspective view of the interface for a connector for a lawn tool of FIG. 1.
 FIG. 5 is a right side view of the interface for a connector for a lawn tool of FIG. 1.
 FIG. 6 is a left side of the interface for a connector for a lawn tool of FIG. 1.
 FIG. 7 is a top view of the interface for a connector for a lawn tool of FIG. 1.
 FIG. 8 is a bottom view of the interface for a connector for a lawn tool of FIG. 1.
 FIG. 9 is a front view of the interface for a connector for a lawn tool of FIG. 1; and,
 FIG. 10 is a rear view of the interface for a connector for a lawn tool of FIG. 1.
 The portions of the interface for a connector for a lawn tool shown in broken lines are included for the purpose of illustrating environment and form no part of the claimed design. The portion of the interface for a connector for a lawn tool shown in broken lines having unequal length segments illustrate the boundary of the claimed design and form no part of the claimed design.

1 Claim, 6 Drawing Sheets



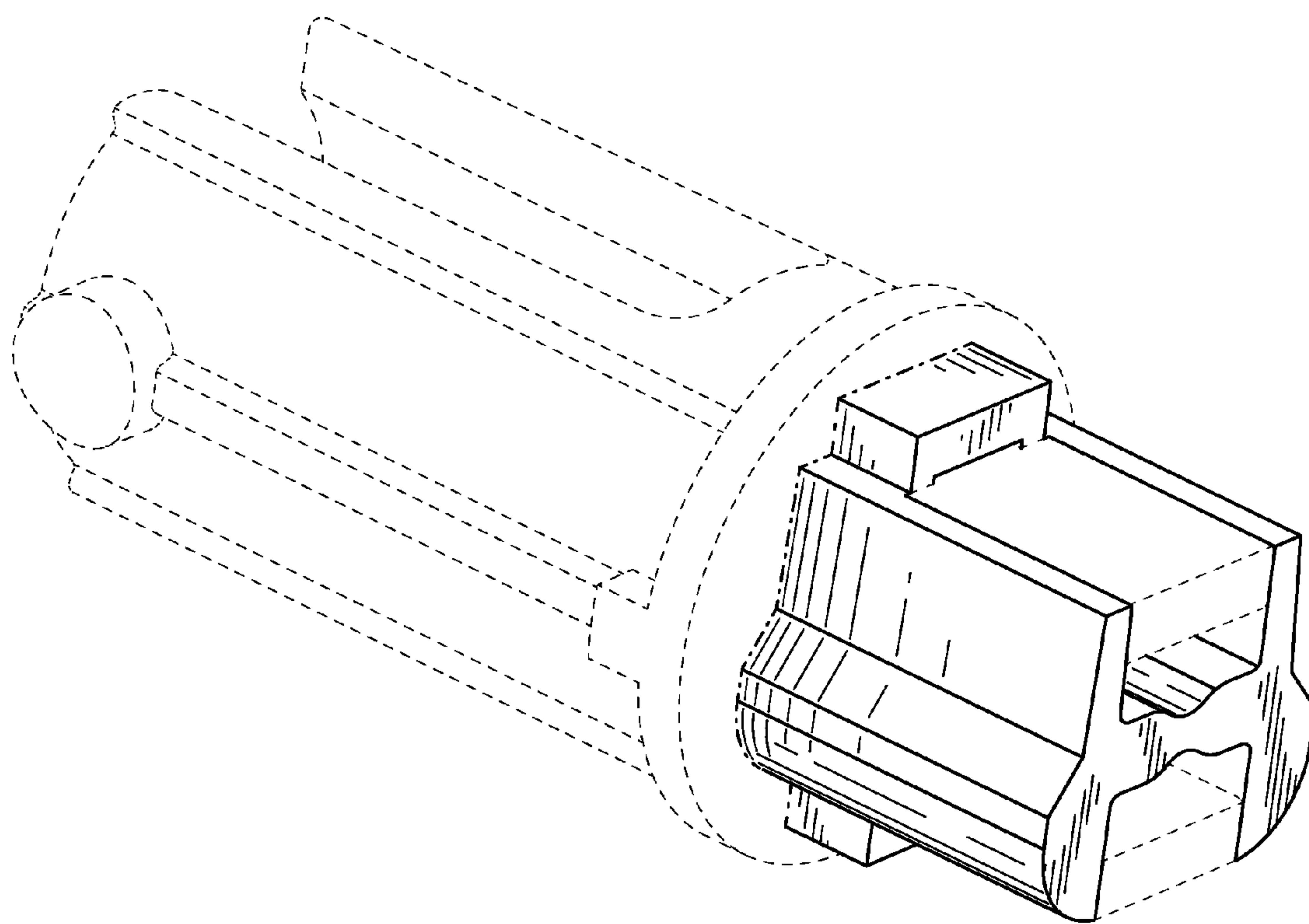


FIG. 1

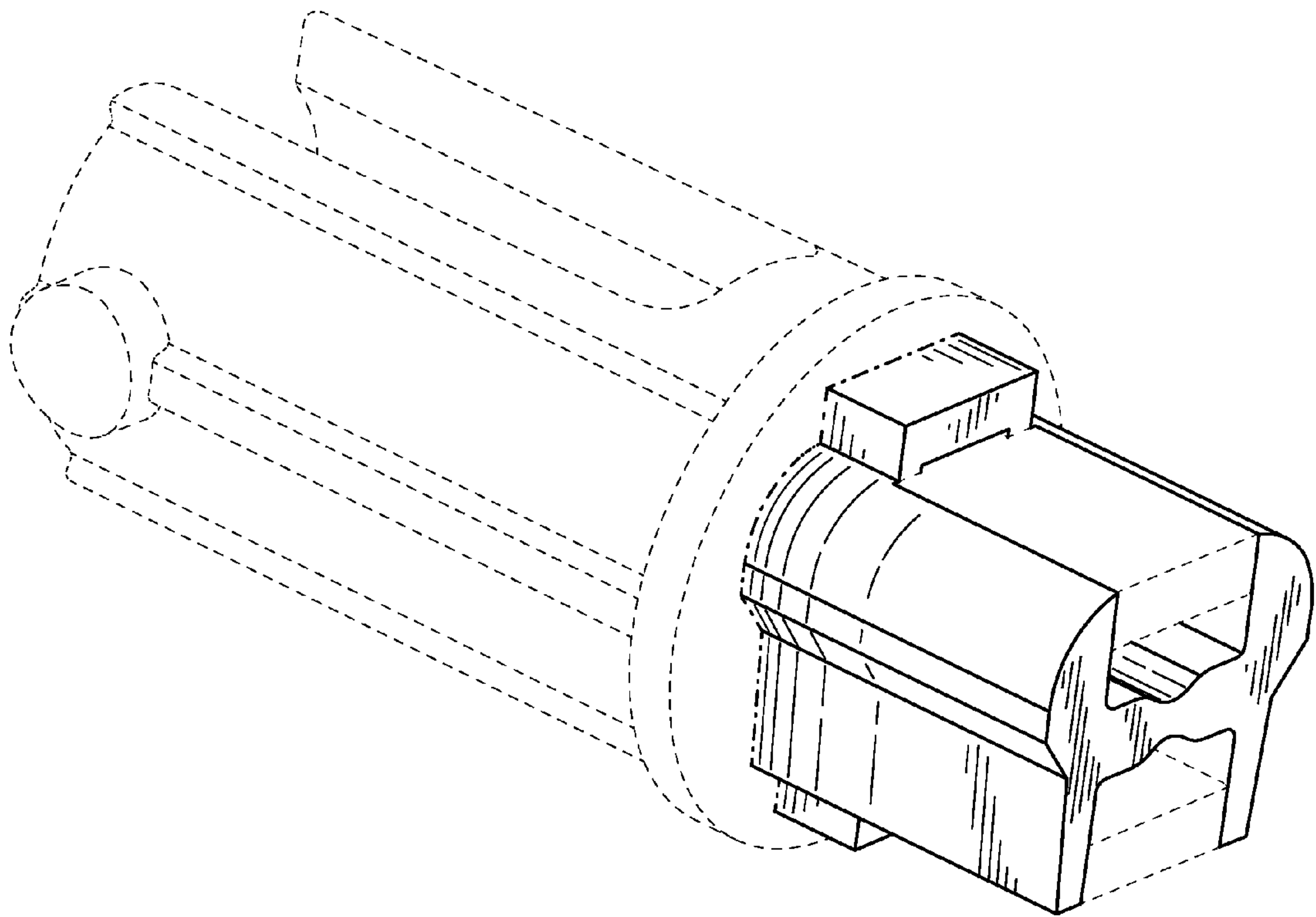


FIG. 2

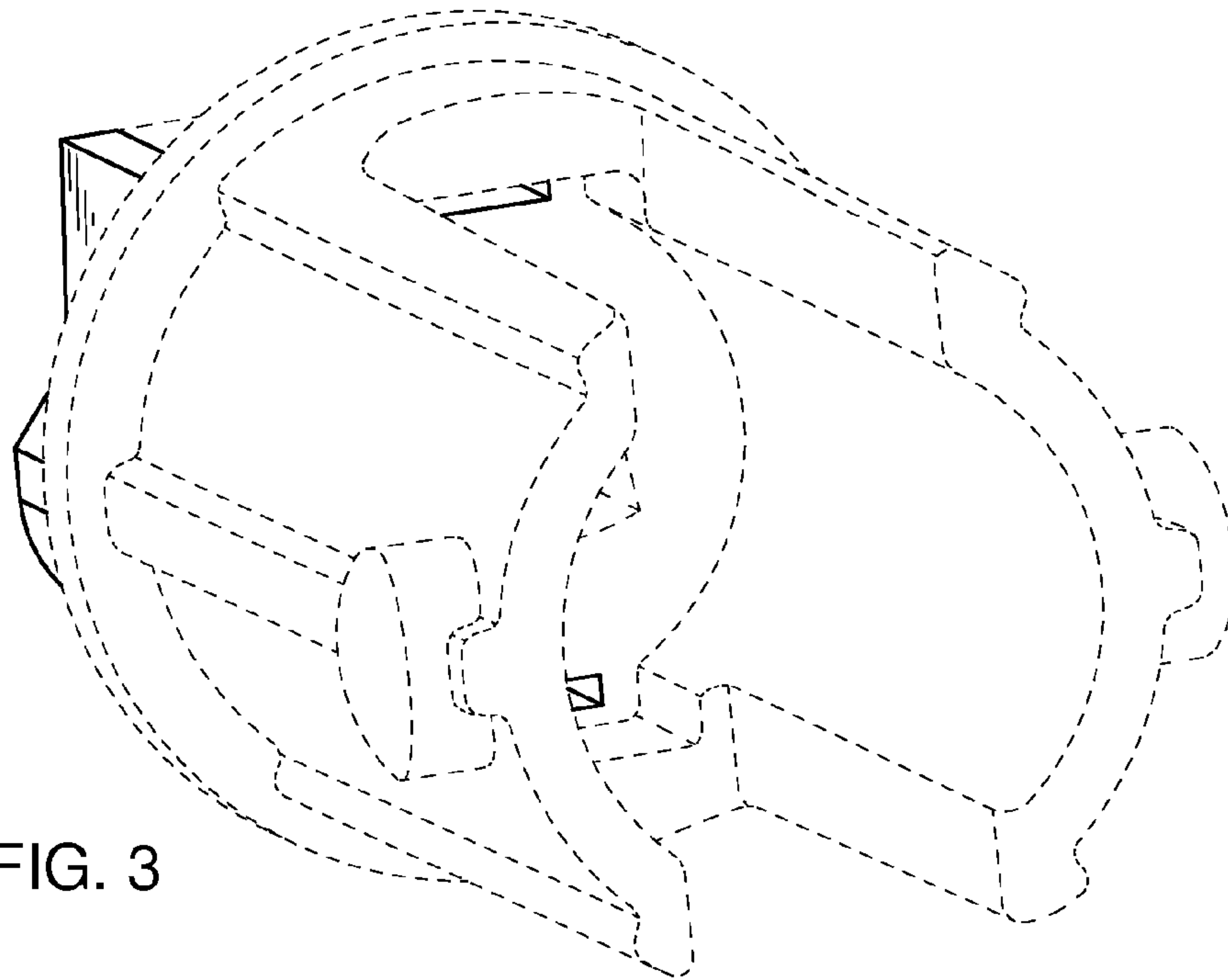


FIG. 3

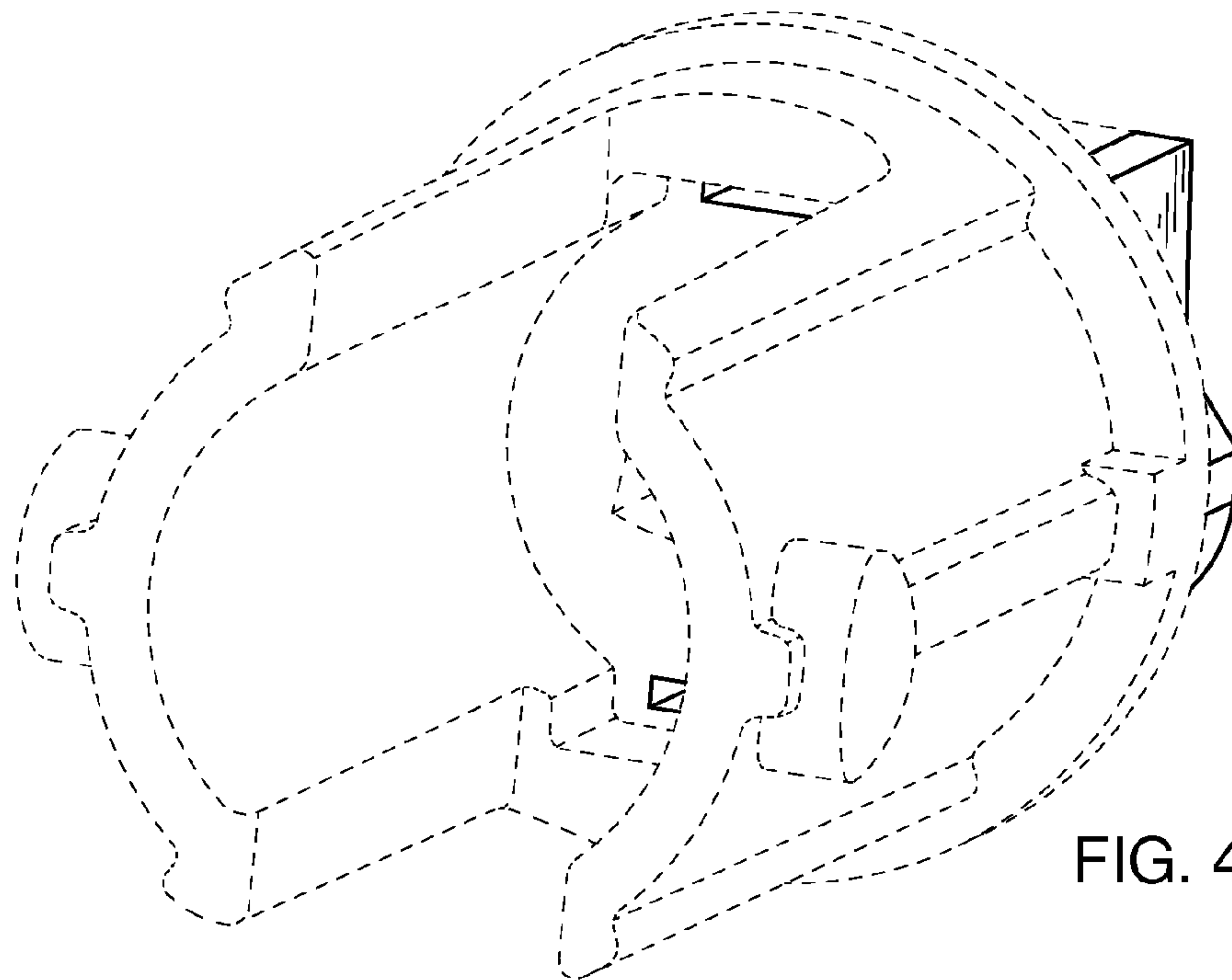


FIG. 4

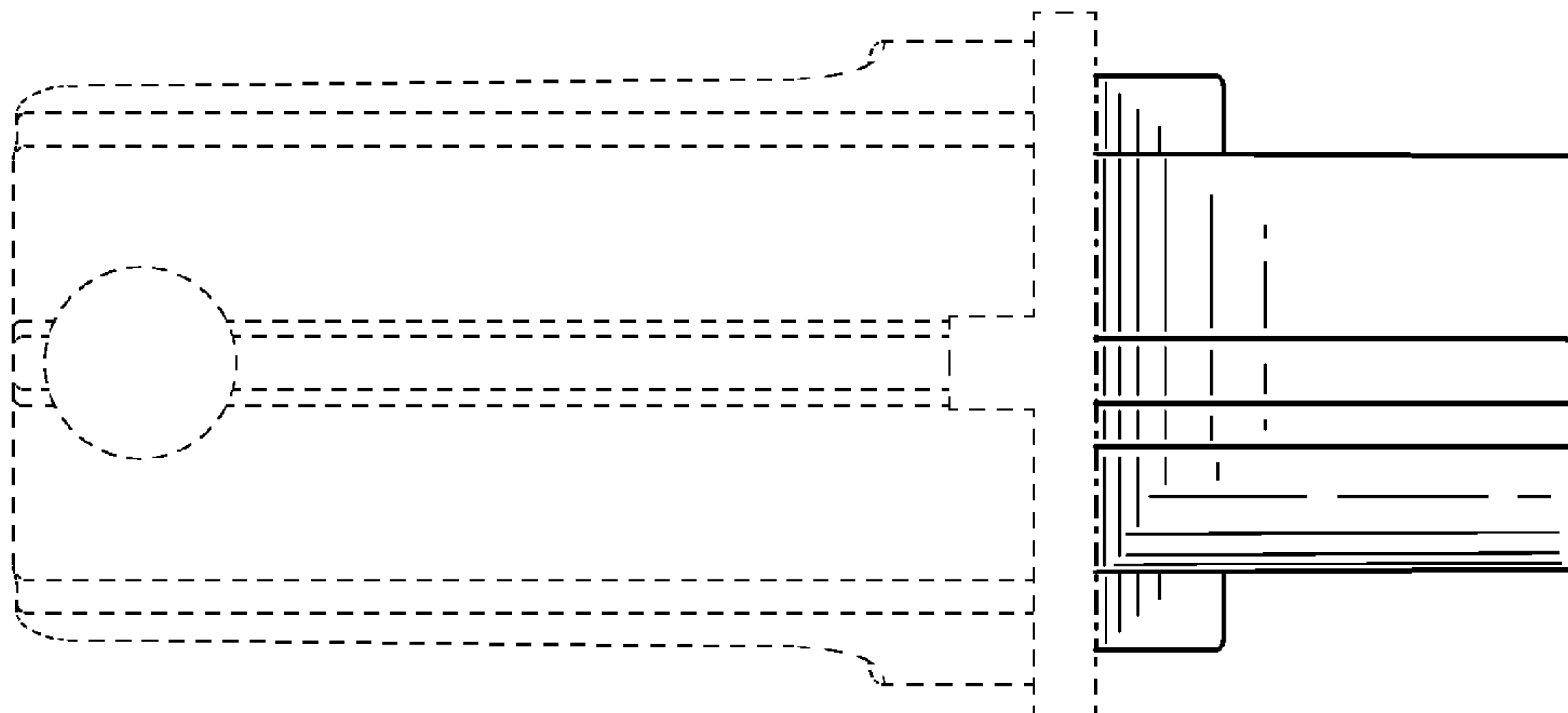


FIG. 5

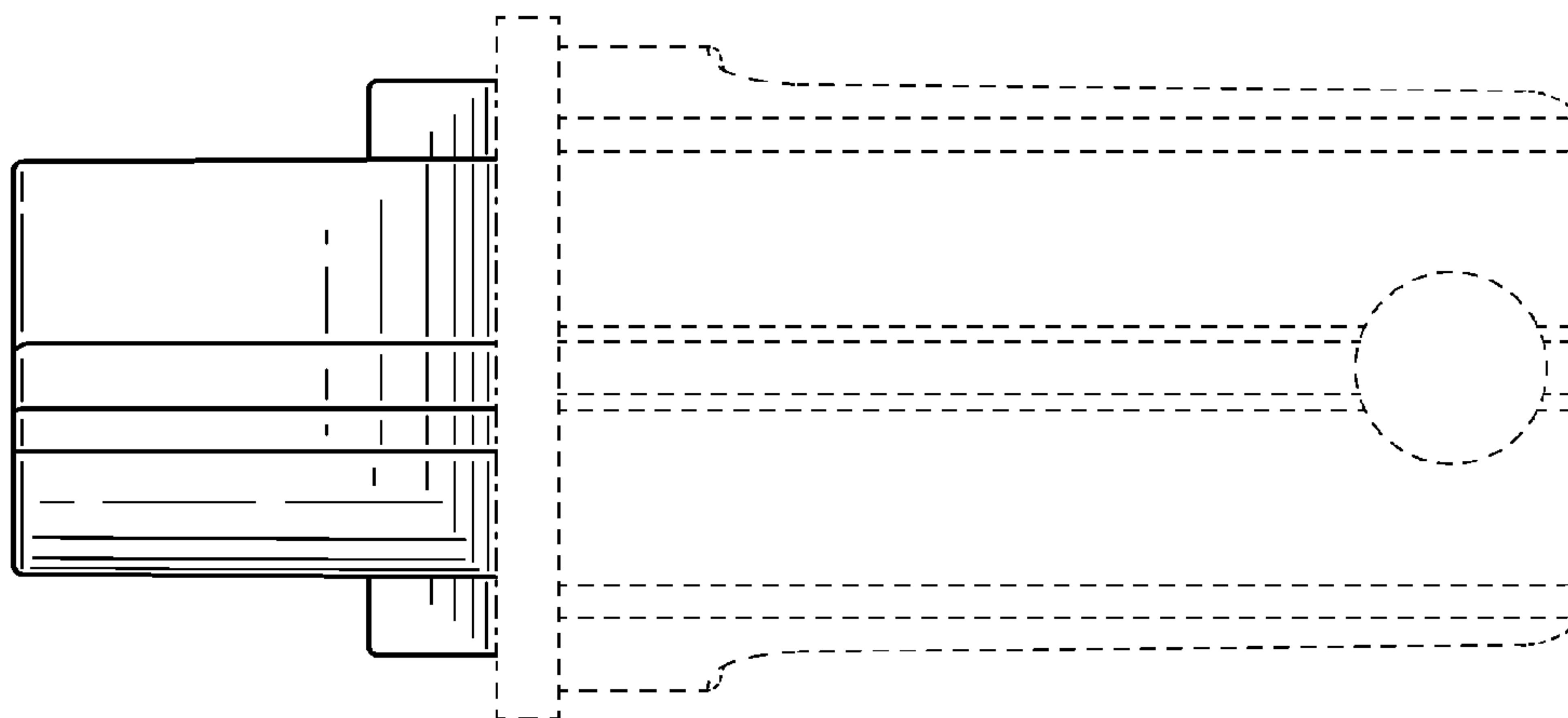


FIG. 6

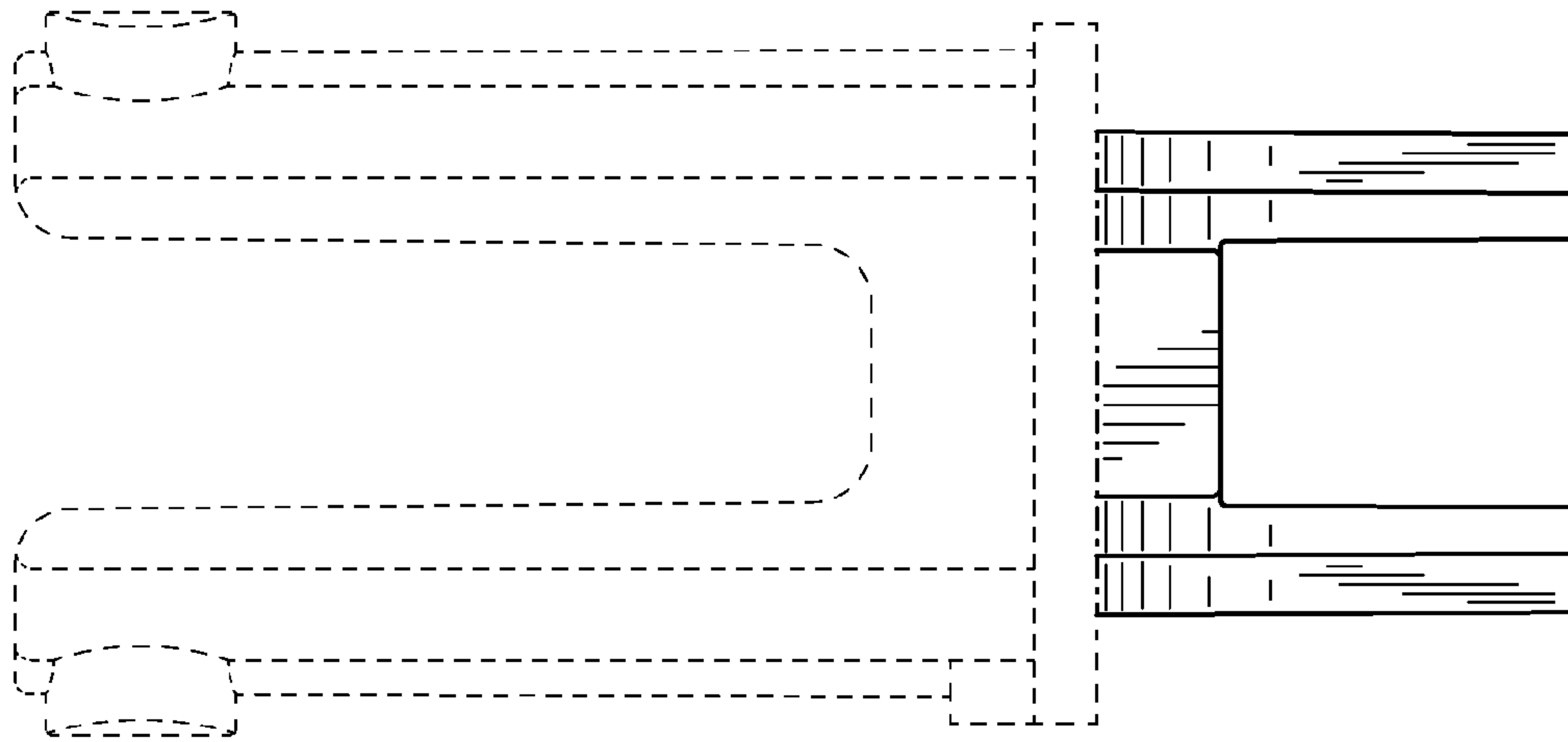


FIG. 7

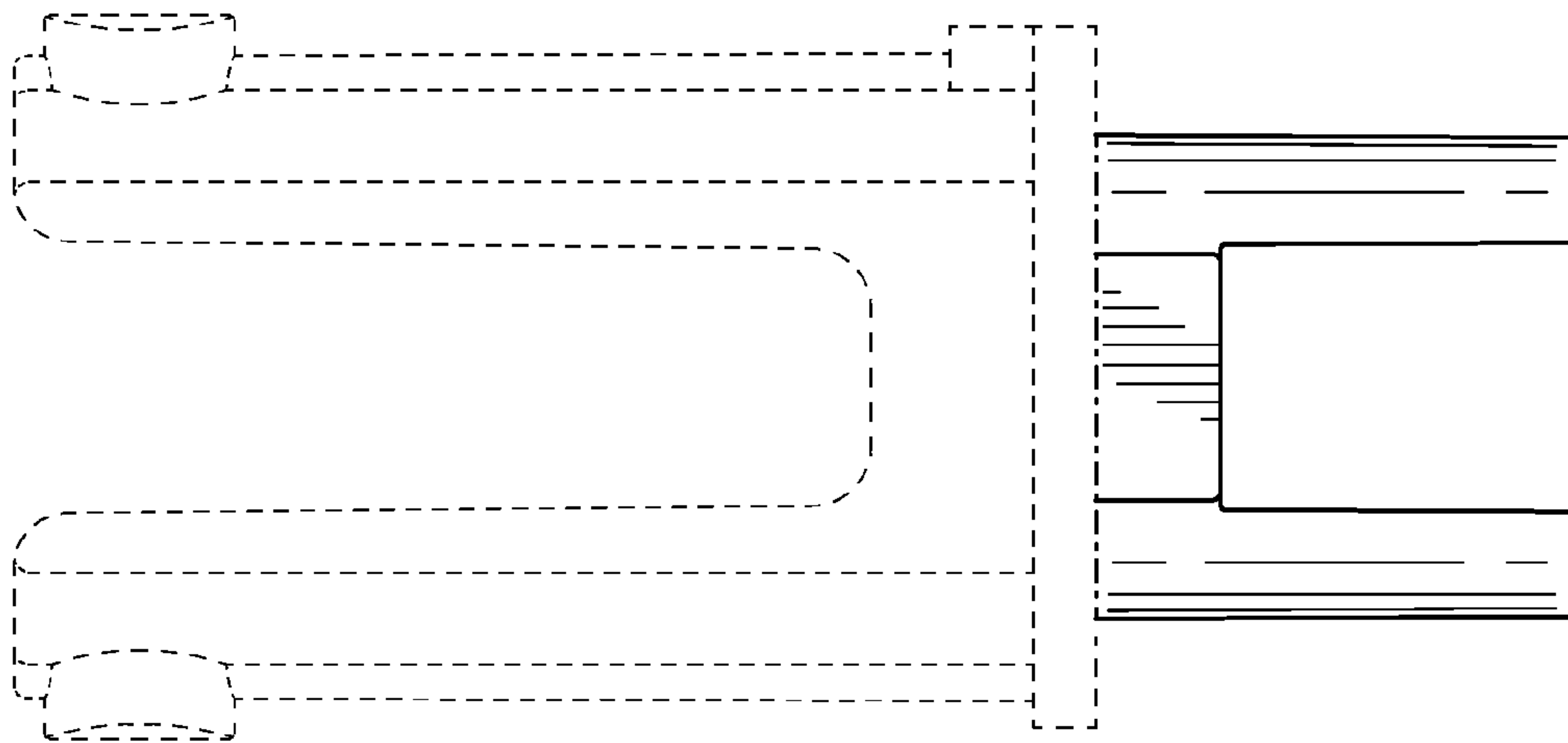


FIG. 8

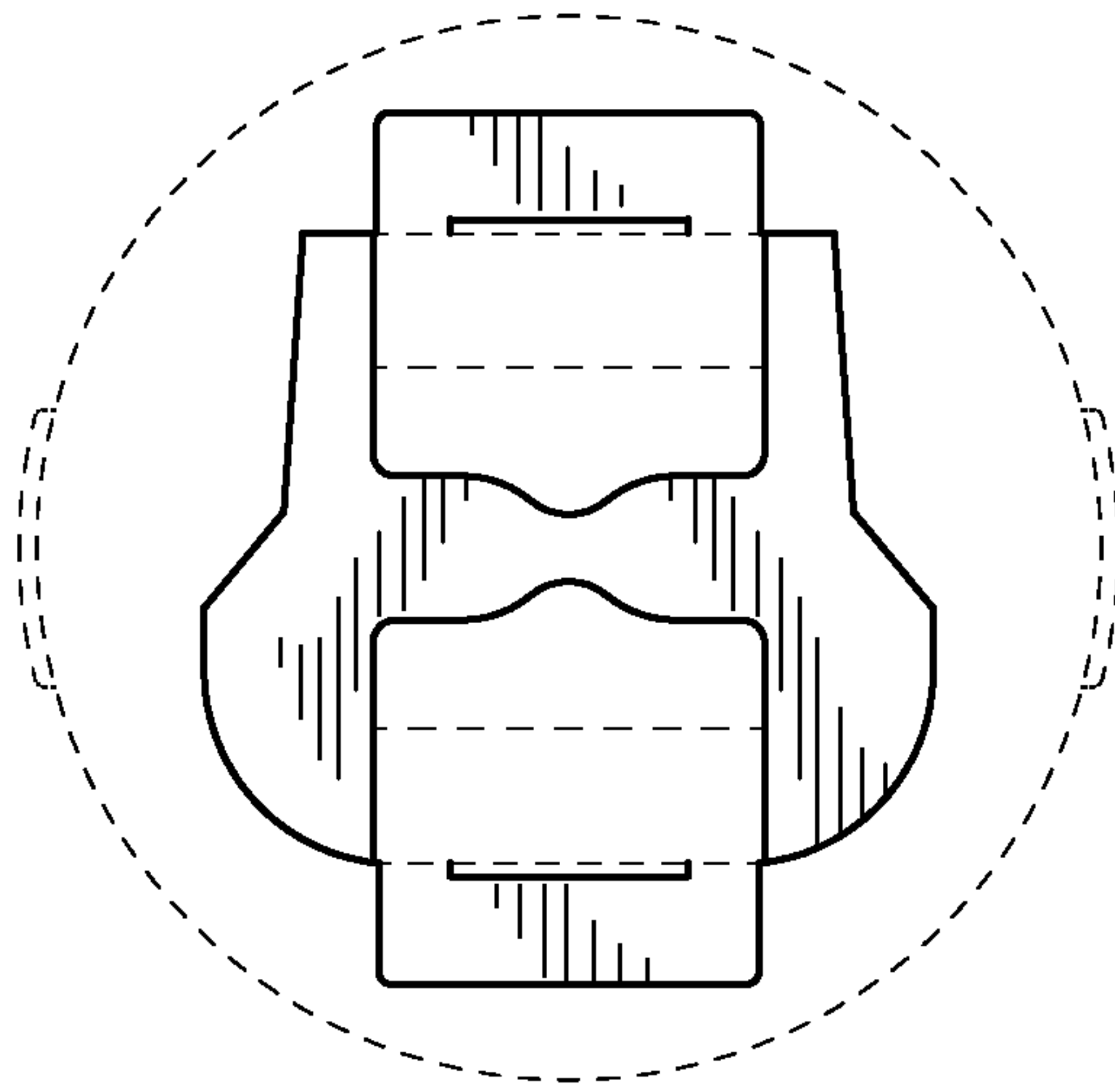


FIG. 9

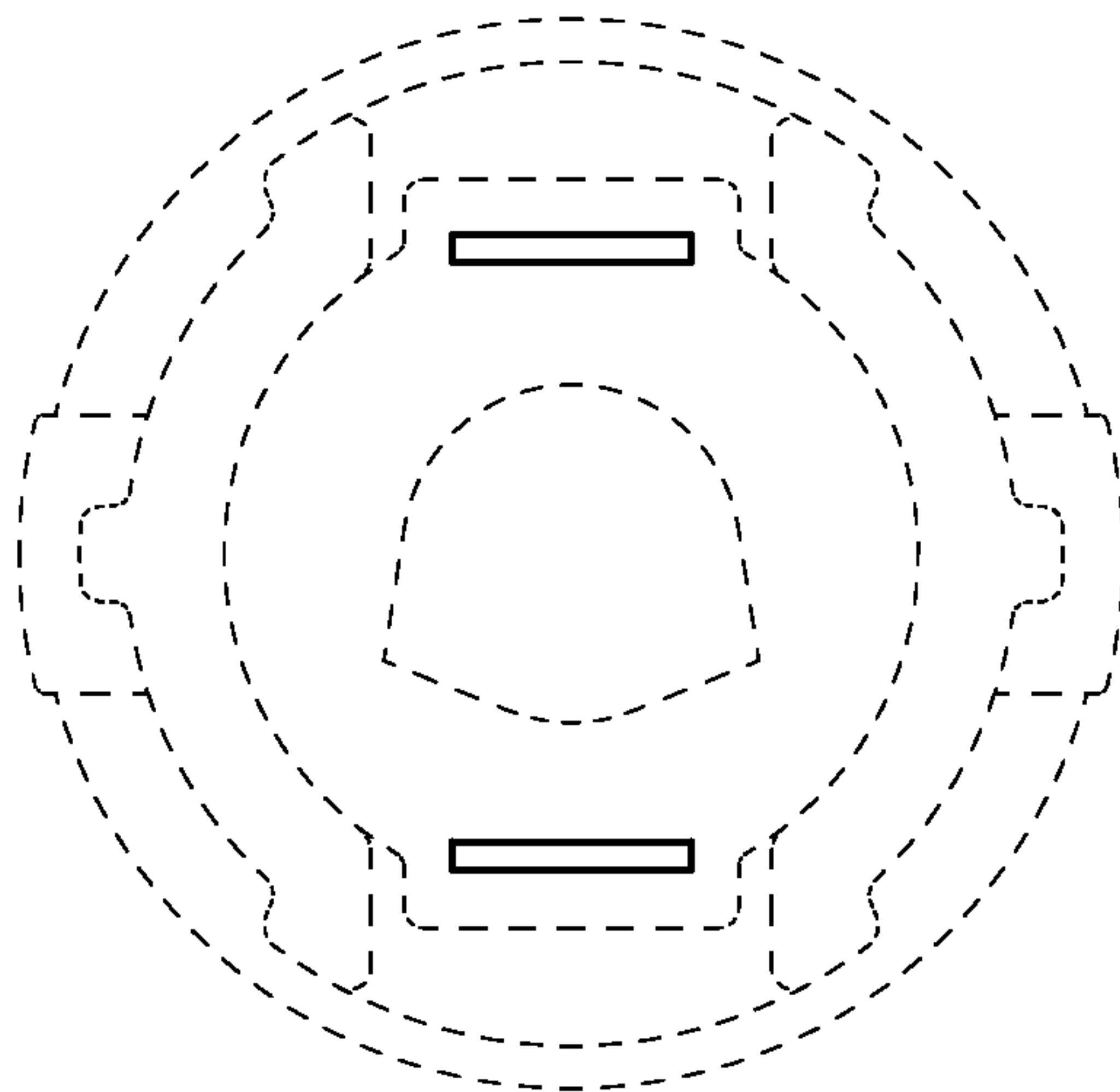


FIG. 10