



US00D687683S

(12) **United States Design Patent**
Lin

(10) **Patent No.:** **US D687,683 S**
(45) **Date of Patent:** **** Aug. 13, 2013**

(54) **WEEDING TOOL HEAD**
(76) Inventor: **Huang-Lung Lin**, Chuang-Hua County (TW)
(**) Term: **14 Years**
(21) Appl. No.: **29/397,504**
(22) Filed: **Jul. 18, 2011**
(51) **LOC (9) Cl.** **08-01**
(52) **U.S. Cl.**
USPC **D8/1**
(58) **Field of Classification Search**
USPC D8/1, 6, 7; 172/21, 371-372, 25, 172/378; 111/14, 106, 99; 175/394, 57; 294/49, 55.5; D15/28
See application file for complete search history.

D579,738 S * 11/2008 Karczewski D8/7
D586,632 S * 2/2009 Lai D8/6
7,743,845 B2 * 6/2010 Ortiz 172/371
D637,833 S * 5/2011 Russell D6/405
D668,920 S * 10/2012 Sandoval D8/1
2006/0037765 A1 * 2/2006 Basek 172/378
2006/0070756 A1 * 4/2006 Basek 172/378

* cited by examiner

Primary Examiner — Sheryl Lane

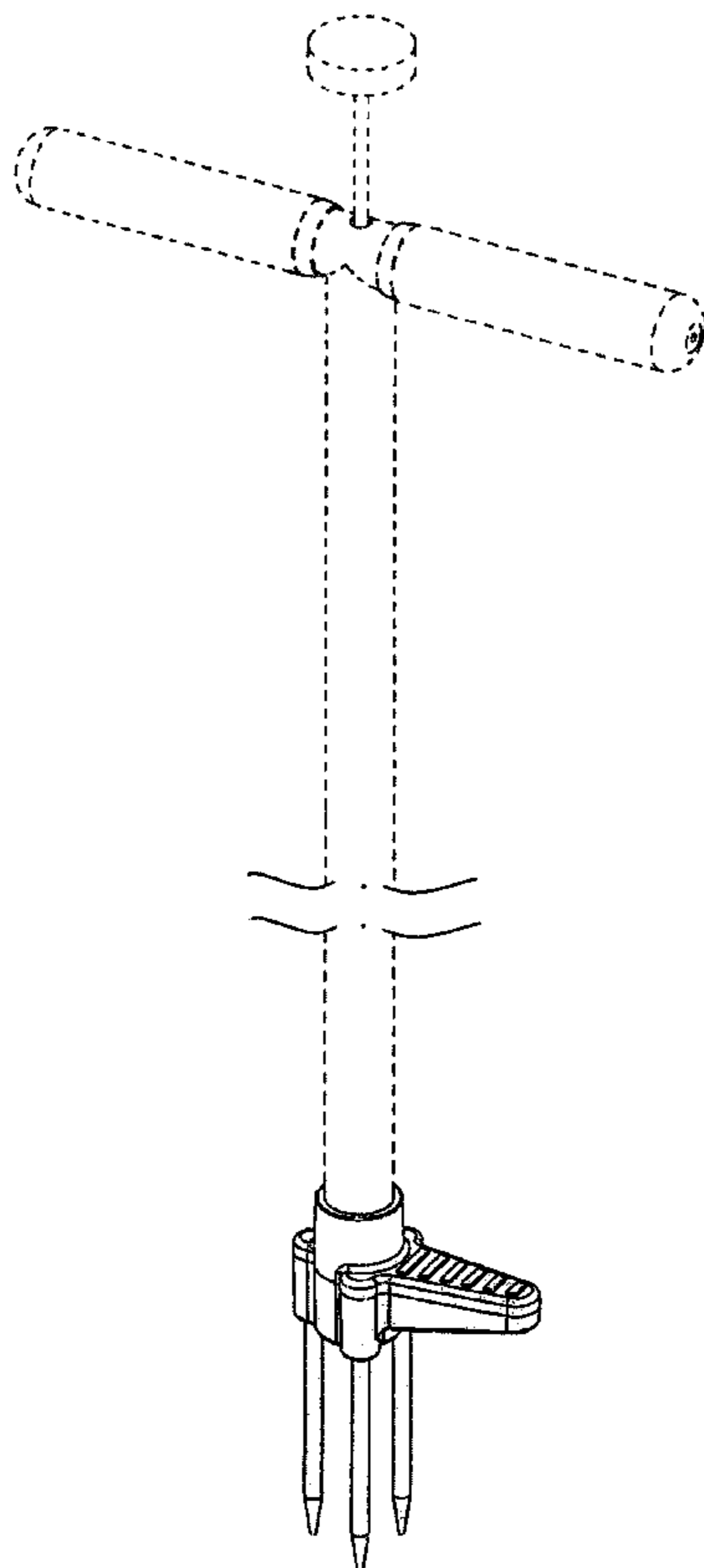
(57) **CLAIM**
The ornamental design for a weeding tool head, as shown and described.

DESCRIPTION

FIG. 1 is a perspective view of a weeding tool head showing my new design;
FIG. 2 is a front elevational view thereof;
FIG. 3 is a right side elevational view thereof;
FIG. 4 is a rear elevational view thereof;
FIG. 5 is a left side elevational view thereof;
FIG. 6 is a top plan view thereof; and,
FIG. 7 is a bottom plan view thereof.
The broken line showing of the weeding tool head is included for the purpose of illustrating portions of the article and forms no part of the claimed design.

(56) **References Cited**
U.S. PATENT DOCUMENTS
323,419 A * 8/1885 Hiller 111/106
D309,242 S * 7/1990 Laslo D8/6
D318,993 S * 8/1991 Brady D8/13
D371,493 S * 7/1996 Beaulieu D8/7
D406,219 S * 3/1999 Basek D8/13
D458,093 S * 6/2002 Washek D8/1
6,467,551 B1 * 10/2002 Washek 172/378
6,843,324 B2 * 1/2005 Basek 172/378
7,117,954 B2 * 10/2006 Vipond 172/378
D569,696 S * 5/2008 Lindsay et al. D8/1

1 Claim, 4 Drawing Sheets



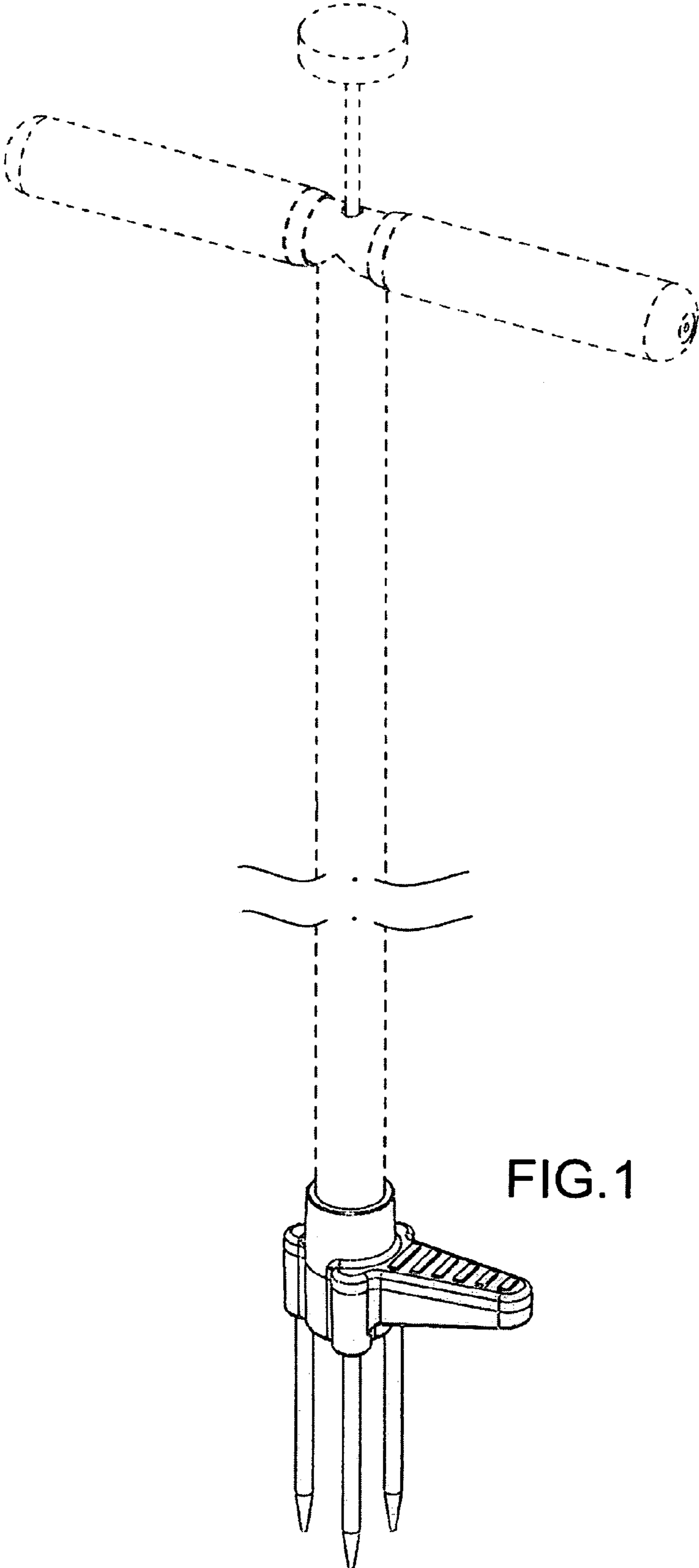


FIG. 1

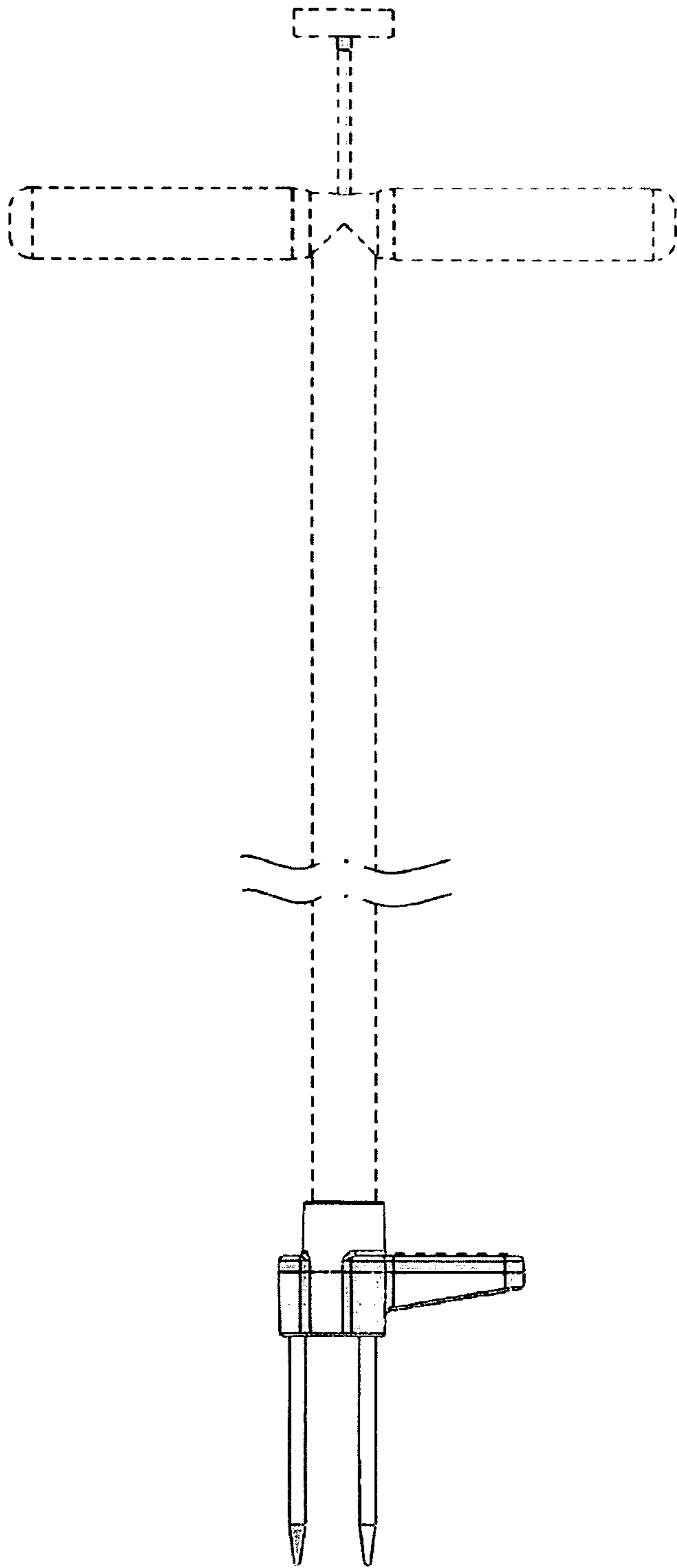


FIG. 2

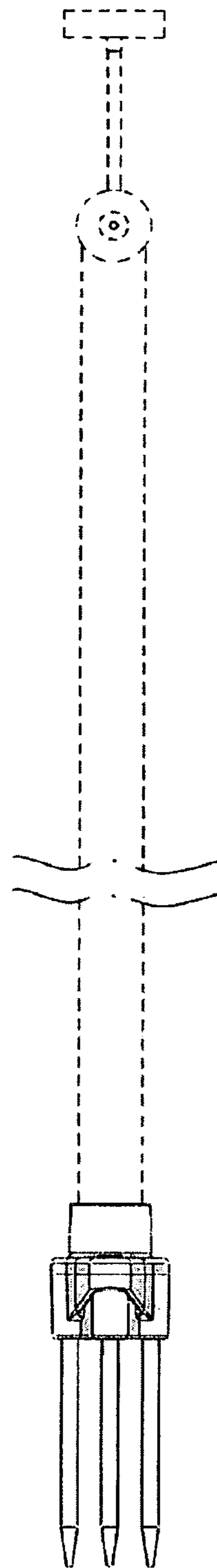
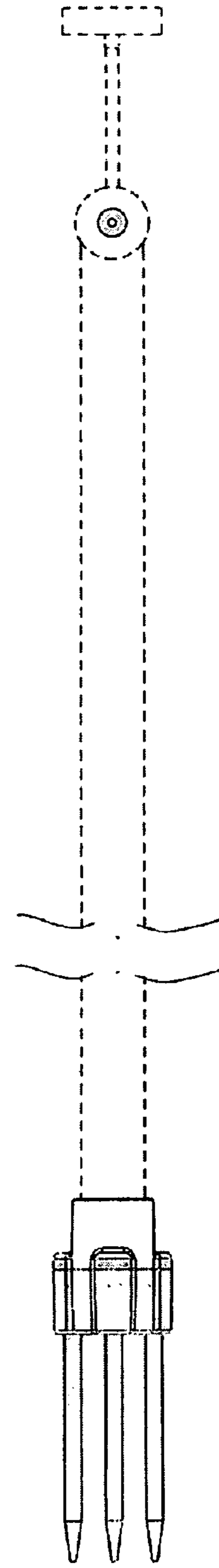
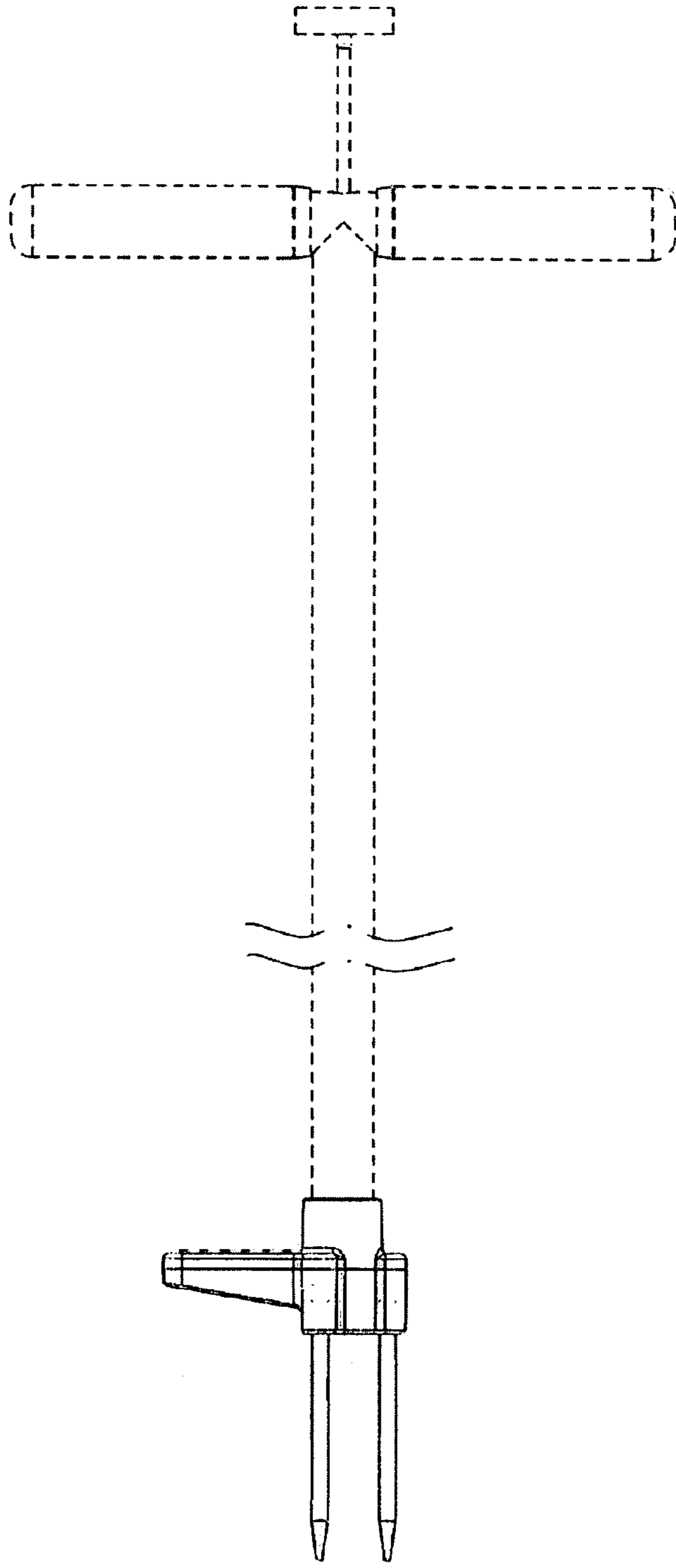


FIG. 3



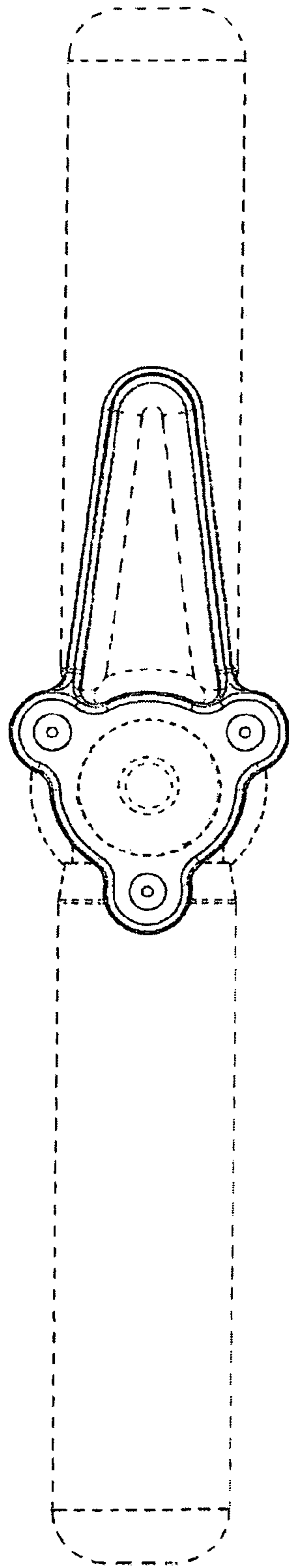


FIG. 7

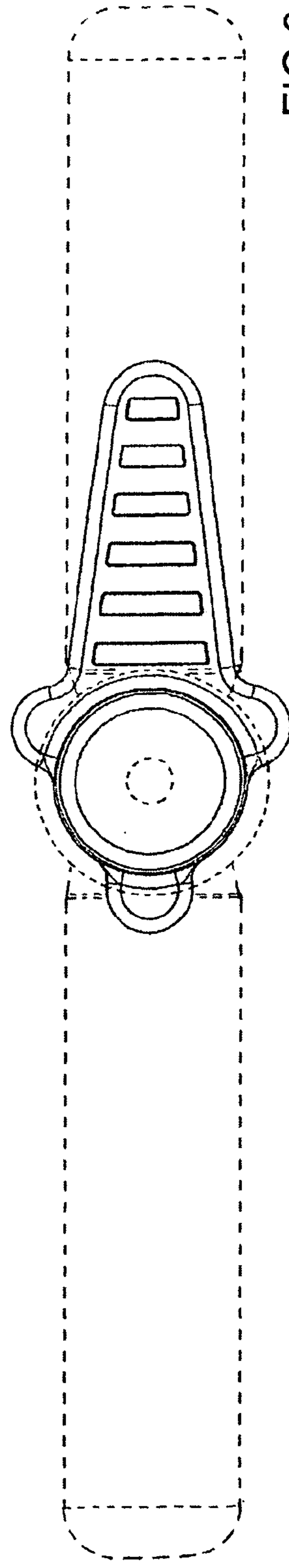


FIG. 6