



US00D687681S

(12) **United States Design Patent**
Barber

(10) **Patent No.:** **US D687,681 S**
(45) **Date of Patent:** **** Aug. 13, 2013**

(54) **CAKE POP MOLD**

(75) Inventor: **Tom Barber**, Redondo Beach, CA (US)

(73) Assignee: **Bradshaw International, Inc.**, Rancho Cucamonga, CA (US)

(**) Term: **14 Years**

(21) Appl. No.: **29/429,316**

(22) Filed: **Aug. 9, 2012**

(51) **LOC (9) Cl.** **07-04**

(52) **U.S. Cl.**
USPC **D7/674**

(58) **Field of Classification Search**
USPC D7/672-677, 300, 354-364, 368, D7/369.4, 402, 410, 505, 506, 554.3-554.4, D7/601, 611, 654, 669, 680, 681, 683, 684, D7/685, 686, 687, 693; D9/341, 424-432, D9/449, 456, 737, 757, 758, 762; 249/91, 249/92, 105, 168, 117, 118, 119, 121, 123, 249/124, 130, 132, 135, 126, 170, 94, 95, 249/96, 97, 120, 122, 125, 127, 129, 136, 249/137, 173, 171, 162, 139, 140; 426/134, 426/421, 515, 67, 68, 91, 95, 96; 206/521.1-521.8, 746, 747, 748, 749, 755, 206/757, 759, 773, 81; 220/675; D1/101, D1/102, 105, 103, 705

See application file for complete search history.

(56) **References Cited**

U.S. PATENT DOCUMENTS

D50,076 S *	12/1916	Riess	D7/352
D77,875 S *	3/1929	Bedel	D7/674
D130,479 S *	11/1941	Baker	D7/677
D170,663 S *	10/1953	Smith	D7/611
3,122,441 A *	2/1964	Smith	426/91
D270,302 S *	8/1983	Starzec	D3/258
D279,538 S *	7/1985	Throm	D7/357
D346,552 S *	5/1994	Krupa	D9/757
D368,414 S *	4/1996	VanHalteren et al.	D7/675

D395,208 S *	6/1998	VanHalteren et al.	D7/675
D421,369 S *	3/2000	Samarasinghe	D7/673
D459,988 S *	7/2002	Hogman	D9/757
D484,919 S *	1/2004	Campos	D21/335
D504,286 S *	4/2005	de Cleir	D7/675
D506,397 S *	6/2005	Hall	D9/761
D512,330 S *	12/2005	Hall	D9/761
D577,950 S *	10/2008	Courington et al.	D7/357
D579,262 S *	10/2008	Courington et al.	D7/357

OTHER PUBLICATIONS

Round Cake Pop Press Mold, [online], retrieved on Mar. 21, 2013. Retrieved from, <URL: <http://www.enasco.com/product/WA31312H>>, 1 page.*

* cited by examiner

Primary Examiner — Ian Simmons

Assistant Examiner — Shannon Weekley

(74) *Attorney, Agent, or Firm* — Birch, Stewart, Kolasch & Birch, LLP

(57) **CLAIM**

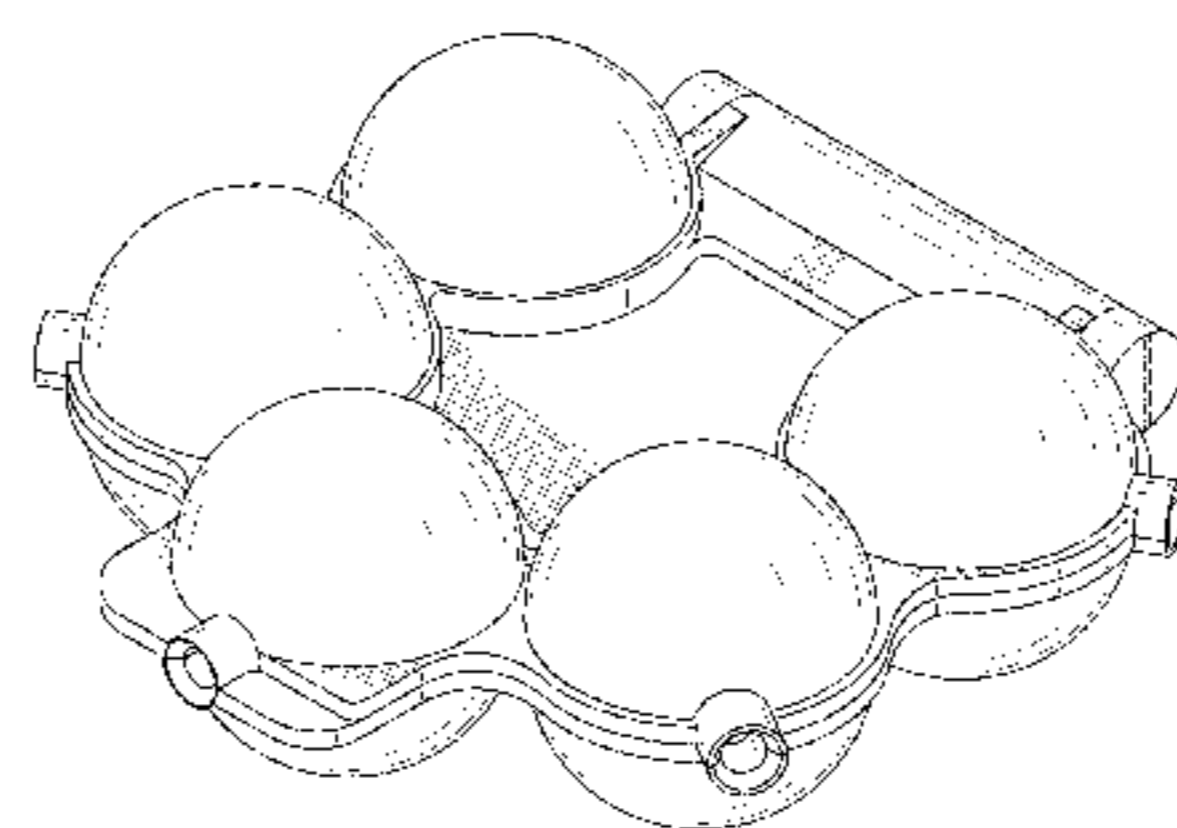
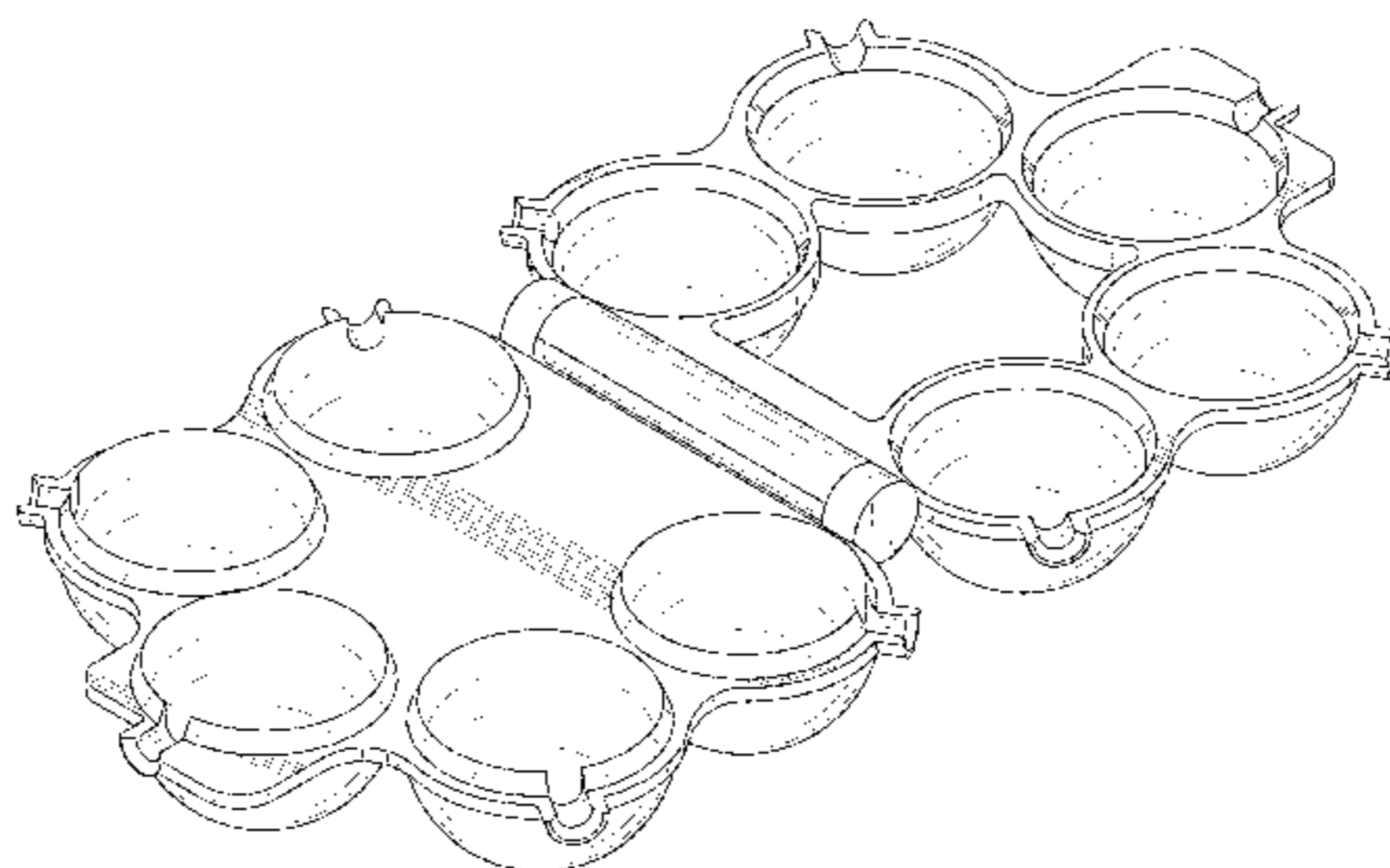
The ornamental design for a cake pop mold, as shown and described.

DESCRIPTION

FIG. 1 is a top, perspective view of the cake pop mold showing my new design;
FIG. 2 is a top view thereof;
FIG. 3 is a bottom view thereof;
FIG. 4 is a front thereof;
FIG. 5 is a rear view thereof;
FIG. 6 is a left side view thereof;
FIG. 7 is a right side view thereof; and,
FIG. 8 is a perspective view illustrating the cake pop mold in the closed position.

The portions in the drawings illustrated in broken lines represent the environment of the design and therefore form no part of the claimed design.

1 Claim, 6 Drawing Sheets



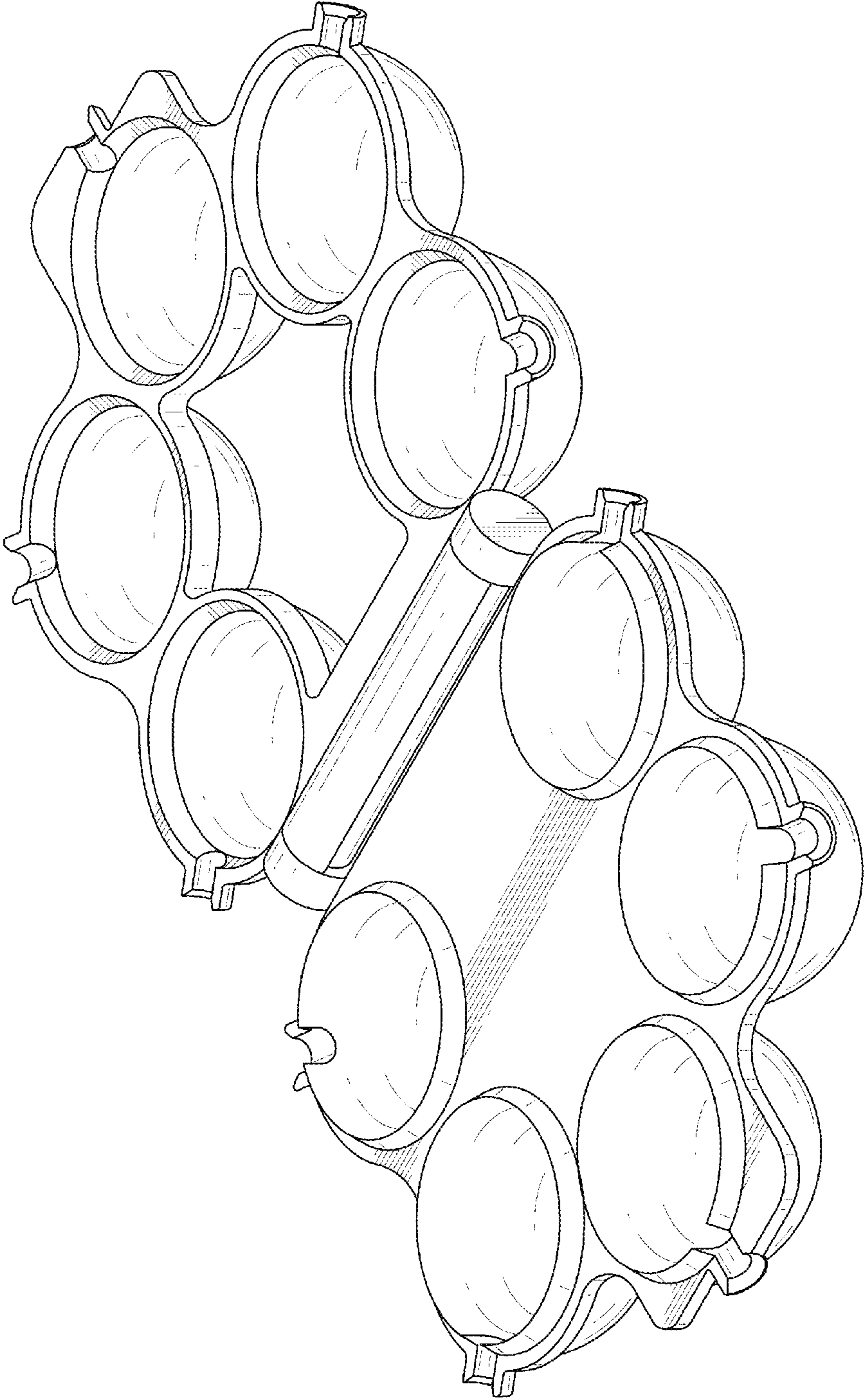


FIG.1

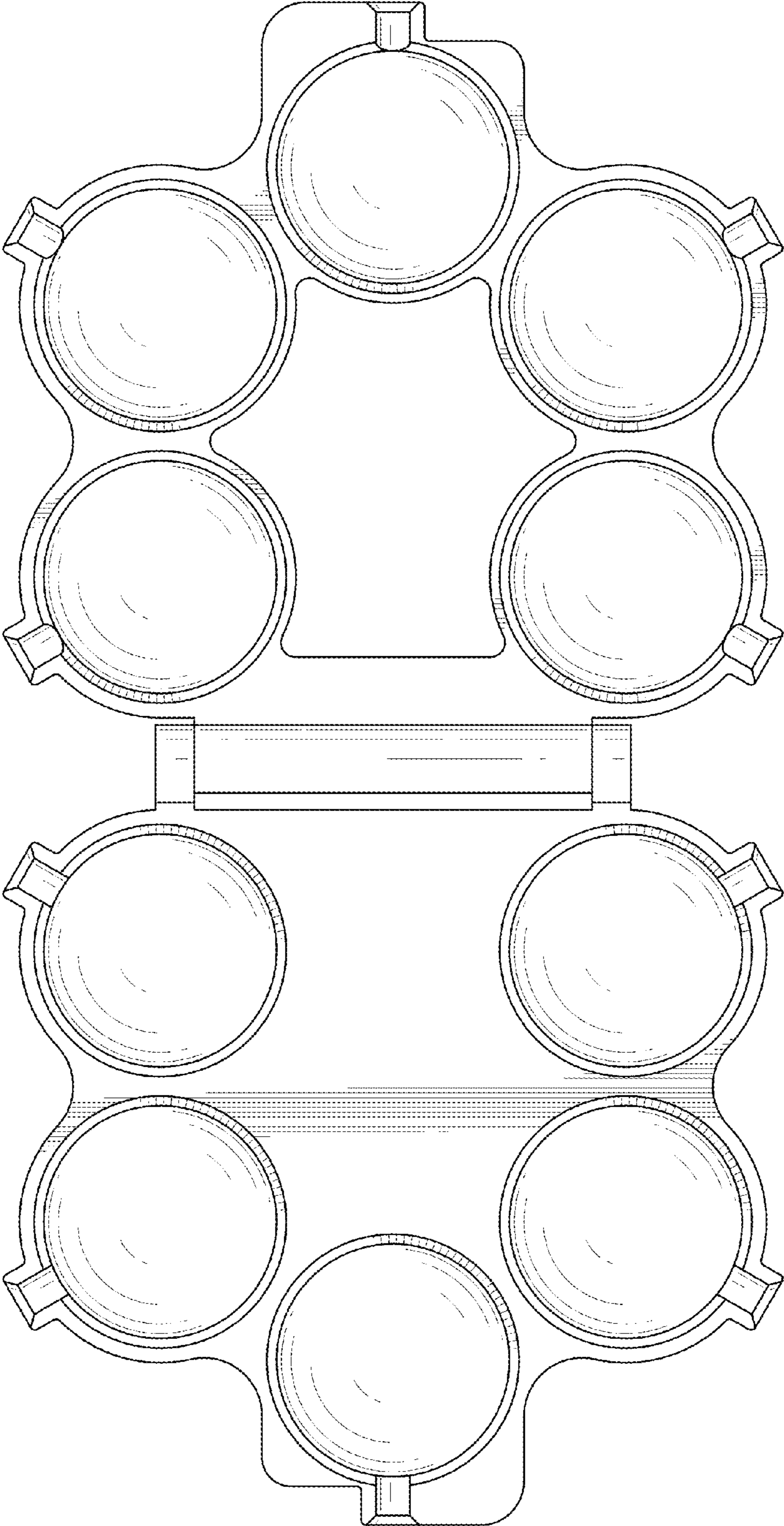


FIG.2

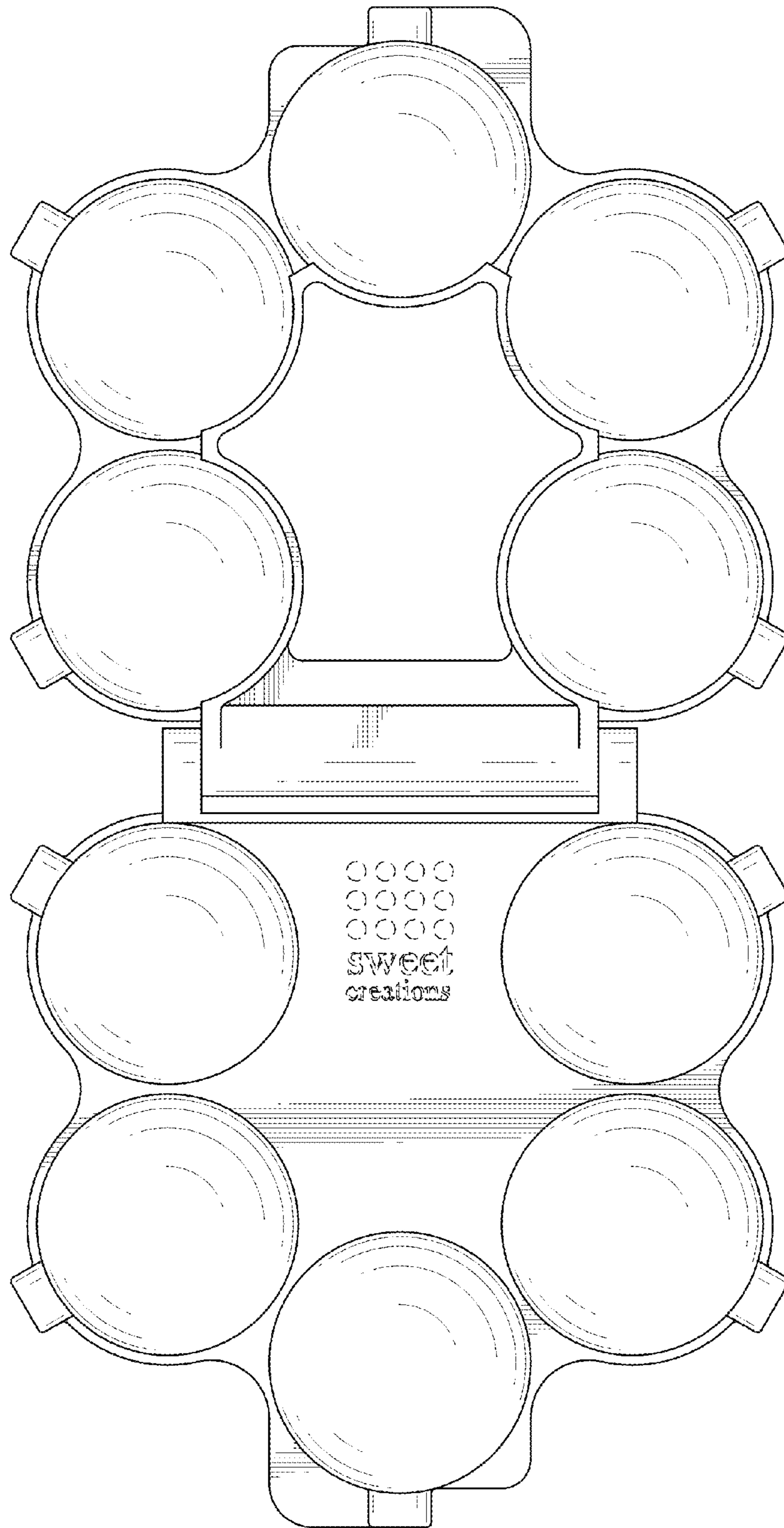


FIG.3

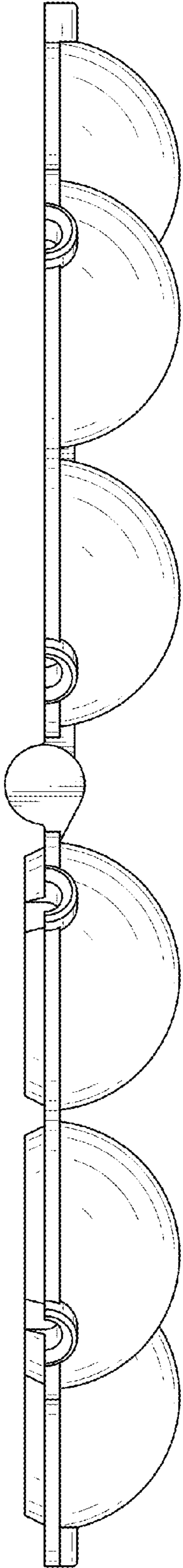


FIG. 4

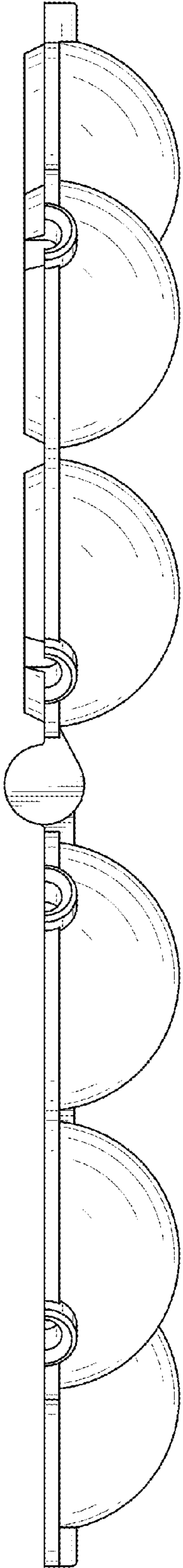


FIG. 5

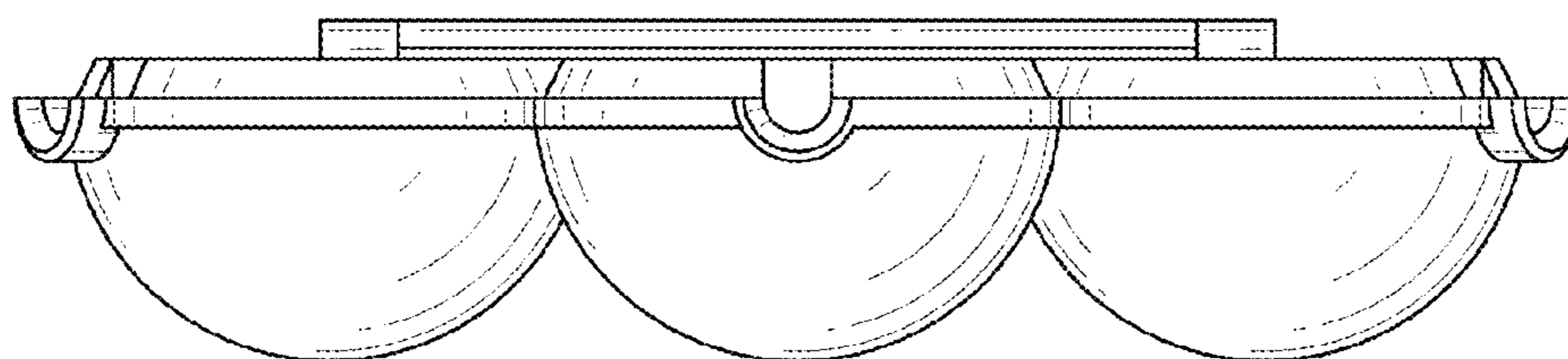


FIG. 6

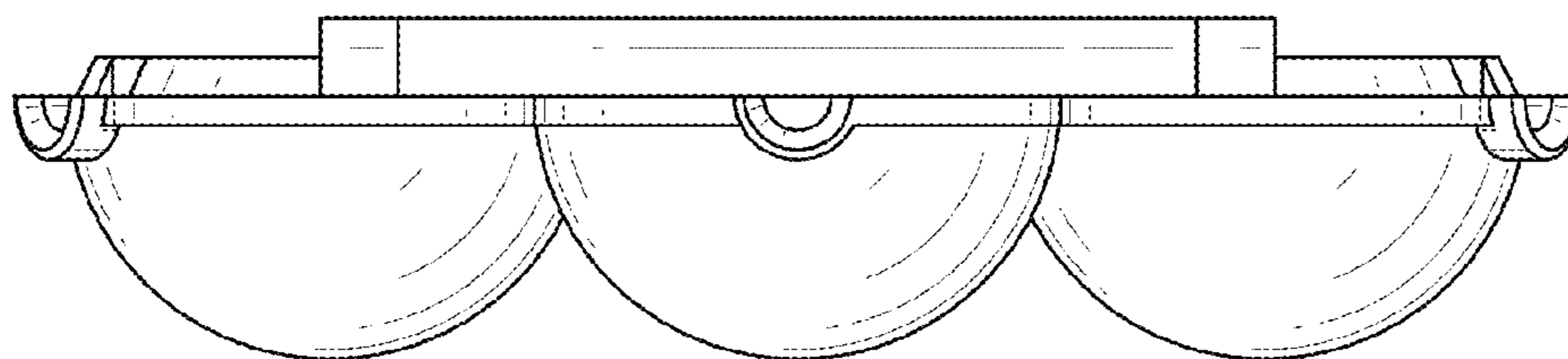


FIG. 7

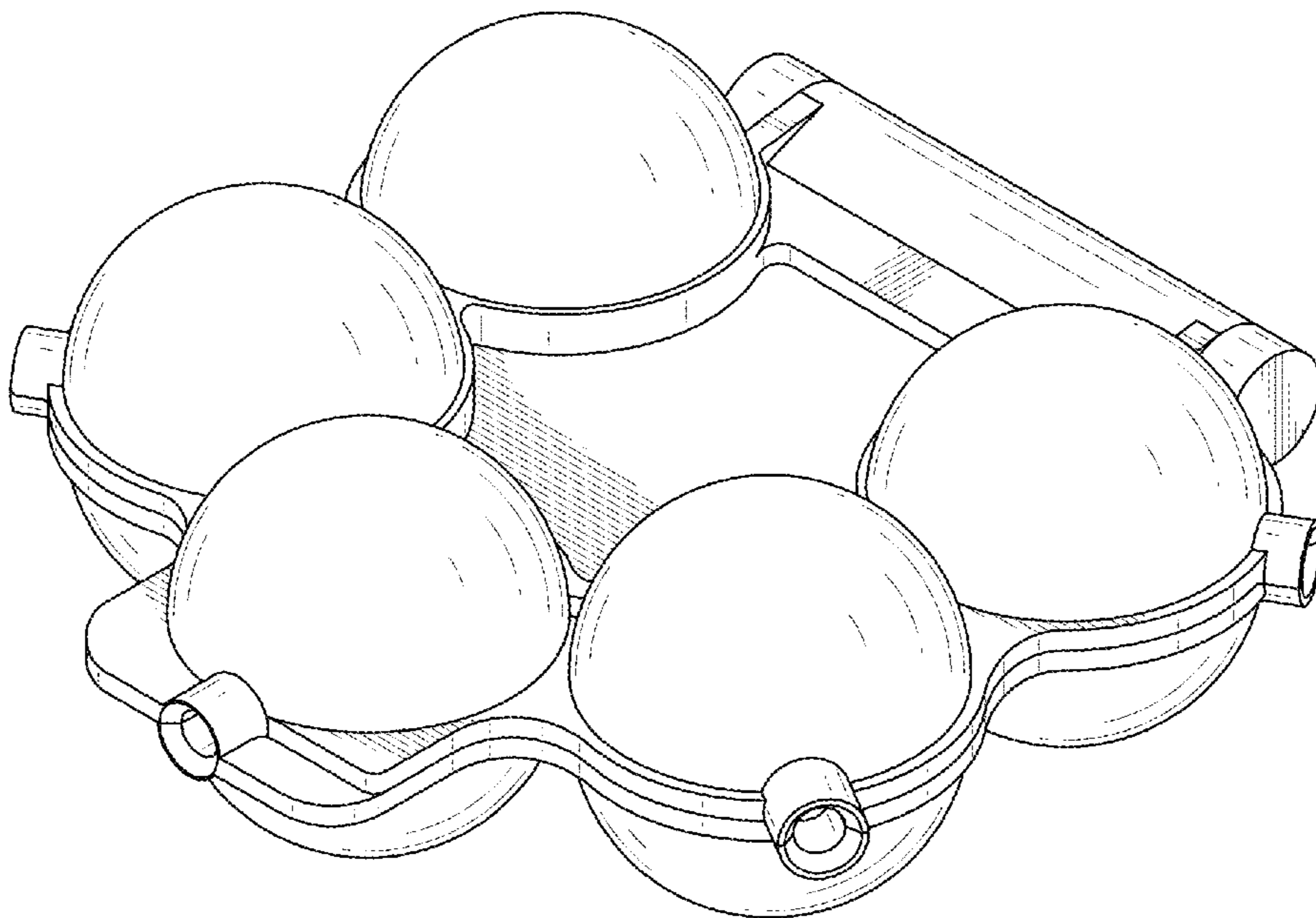


FIG.8