



US00D687680S

(12) **United States Design Patent**
Betesh

(10) **Patent No.:** **US D687,680 S**

(45) **Date of Patent:** **** Aug. 13, 2013**

(54) **SUPPLY POD DISPENSER**

(75) Inventor: **Michael Betesh**, Brooklyn, NY (US)

(73) Assignee: **EMS Mind Reader LLC**, Newark, NJ (US)

(**) Term: **14 Years**

(21) Appl. No.: **29/423,954**

(22) Filed: **Jun. 6, 2012**

(51) **LOC (9) Cl.** **07-06**

(52) **U.S. Cl.**
USPC **D7/600.4**

(58) **Field of Classification Search**
USPC D7/600.4, 392, 397, 549, 550.1, D7/553.1, 553.2, 553.6, 554.2, 554.3, 554.1, D7/590, 596, 597, 600, 600.1, 600.2, 600.3, D7/601, 602, 612, 614, 615, 620, 630-632, D7/701-708.1, 709, 710; D3/201, 203.1-203.4, D3/203.8, 275, 276, 283, 291, 295-298, 302, D3/304, 306, 307, 313, 315, 319; D9/432, D9/455, 456, 737, 738, 743, 744, 745, 759, D9/755, 756, 758, 760, 761; D6/436, 449, D6/458, 462, 509, 510, 512, 514, 521, 525, D6/573, 574; D19/75, 77, 78, 83, 86, 92, D19/95; 211/77, 78, 126.11, 126.15, 129.1, 211/131.1, 133.1, 133.2, 133.4, 133.5, 133.6; 312/323, 330.1, 333.4, 334.27, 408; 206/6.1; D28/73, 78, 83; 220/4.01, 4.07, 4.22, 4.23, 220/523, 524, 525, 526, 544, 565, 811, 812
See application file for complete search history.

(56) **References Cited**

U.S. PATENT DOCUMENTS

2,052,475 A * 8/1936 Jones et al. 206/503
2,138,560 A 11/1938 Stuart

D147,482 S * 9/1947 Winterfeld D6/441
D184,963 S * 4/1959 Roesch D6/450
3,013,853 A 12/1961 Toms
3,392,868 A 7/1968 Pfrommer
3,498,471 A * 3/1970 Dirx 211/131.1
3,770,114 A * 11/1973 Jackson 206/8
4,239,308 A 12/1980 Bradley
D267,153 S * 12/1982 Lebowitz D19/77
4,502,741 A 3/1985 DeVries et al.
D280,739 S 9/1985 Wang
D282,874 S * 3/1986 Alessandro D26/93
5,095,579 A * 3/1992 Becker 15/339

(Continued)

Primary Examiner — Ian Simmons

Assistant Examiner — Shannon Weekley

(74) *Attorney, Agent, or Firm* — Dorsey & Whitney LLP

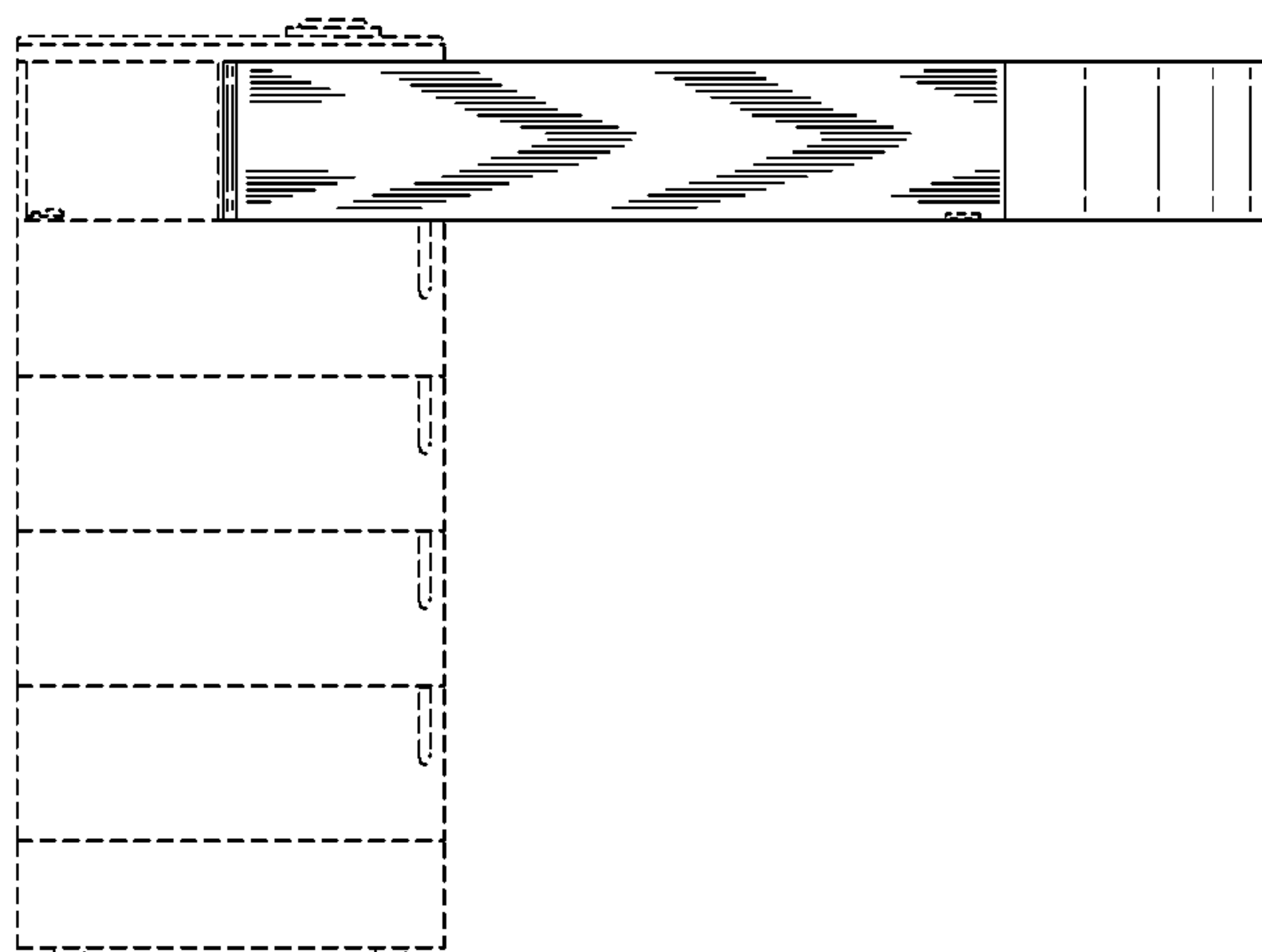
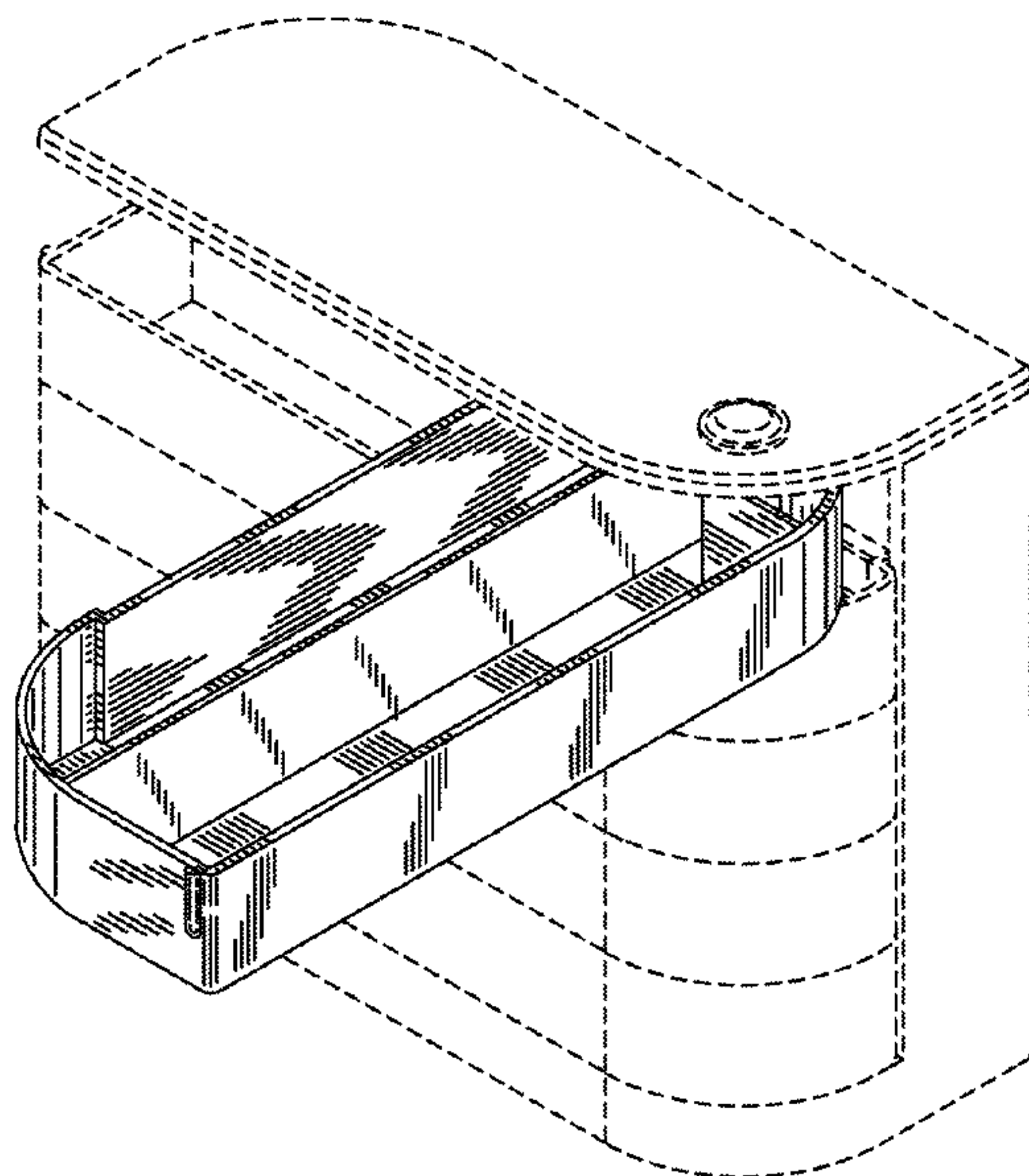
(57) **CLAIM**

The ornamental design of a supply pod dispenser, as shown and described.

DESCRIPTION

FIG. 1 is a front perspective view of the supply pod dispenser showing my new design;
FIG. 2 is a front view of the supply pod dispenser thereof;
FIG. 3 is a back view of the supply pod dispenser thereof;
FIG. 4 is a left side view of the supply pod dispenser thereof;
FIG. 5 is a right side view of the supply pod dispenser thereof;
FIG. 6 is a top view of the supply pod dispenser thereof; and, FIG. 7 is a bottom view of the supply pod dispenser thereof. The broken lines shown throughout the views of the supply pod dispenser, which are immediately adjacent to claimed surfaces, represent the bounds of the claimed design, while all other broken lines are directed to the environment and are for illustrative purposes only, and form no part of the claimed design.

1 Claim, 7 Drawing Sheets



US D687,680 S

Page 2

(56)

References Cited

U.S. PATENT DOCUMENTS				6,585,334 B2	7/2003	Cheng et al.
D358,030 S	5/1995	Ying		D510,953 S	10/2005	Chen et al.
D417,957 S	12/1999	Wolf		8,061,538 B2	11/2011	Seldon
D422,443 S *	4/2000	De Limur D6/574	2006/0201417 A1	9/2006	Radow
D422,846 S	4/2000	Swick		2008/0283481 A1	11/2008	Evans et al.

* cited by examiner

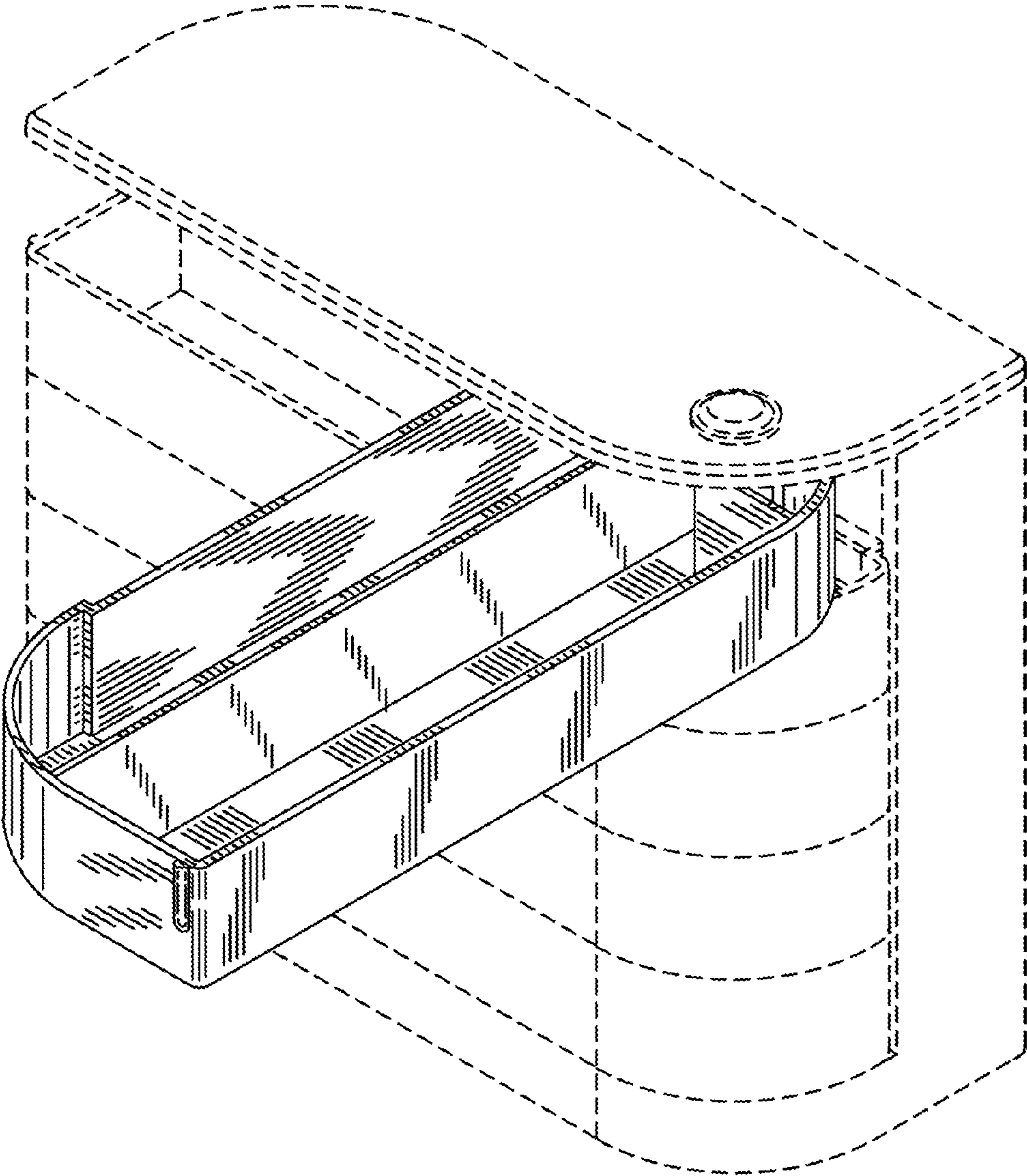


FIG. 1

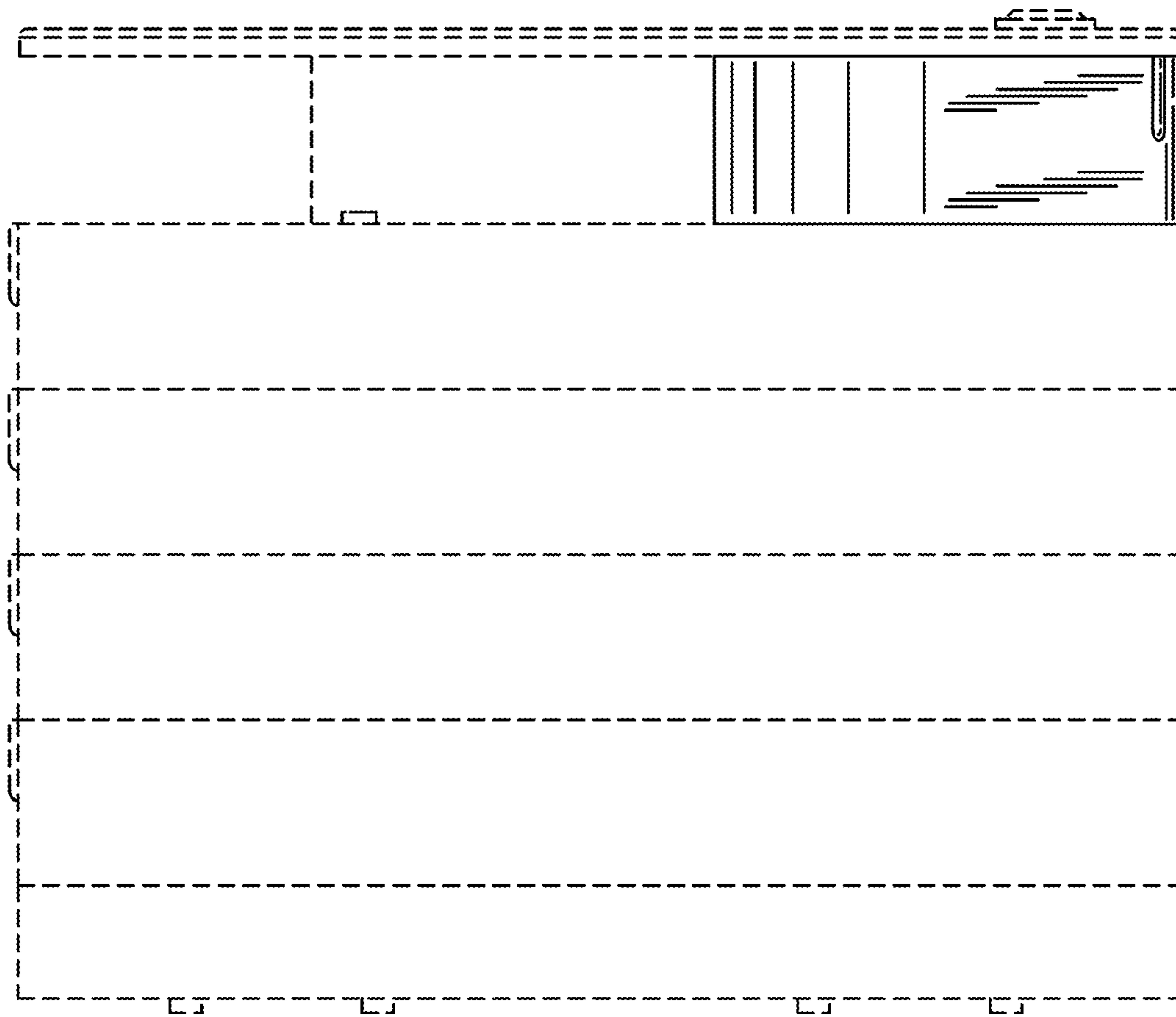


FIG. 2



FIG. 3

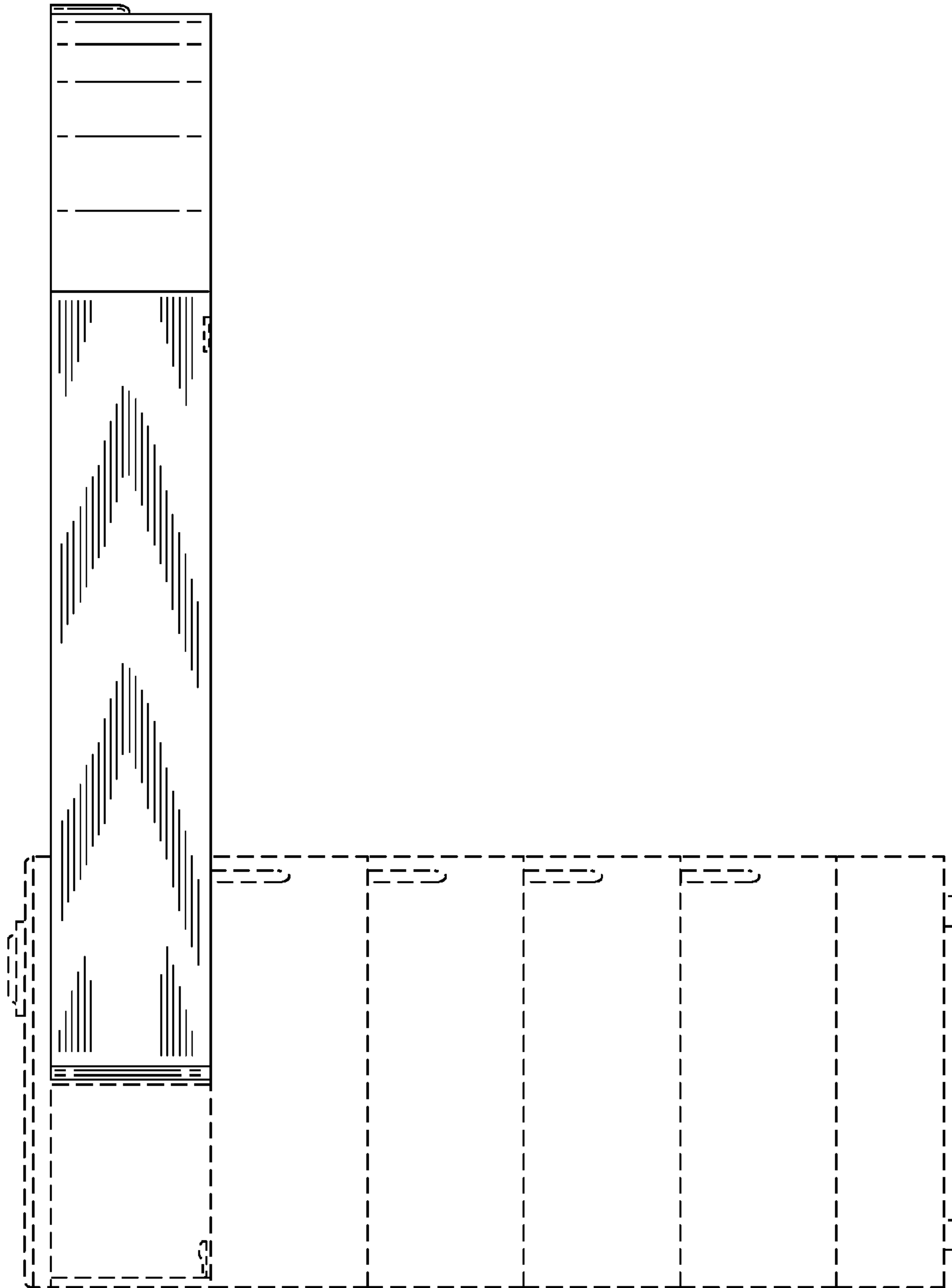


FIG. 4

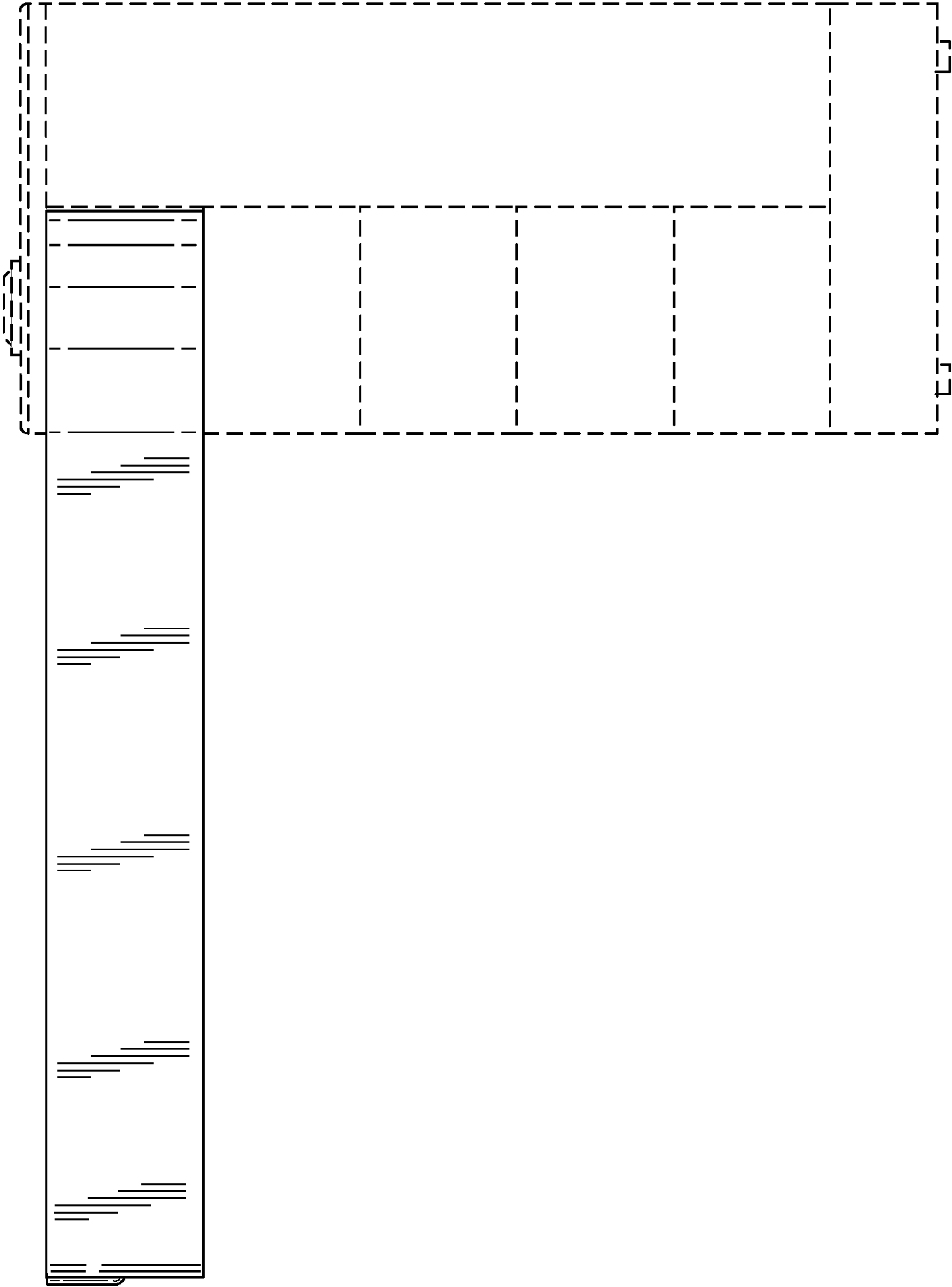


FIG. 5

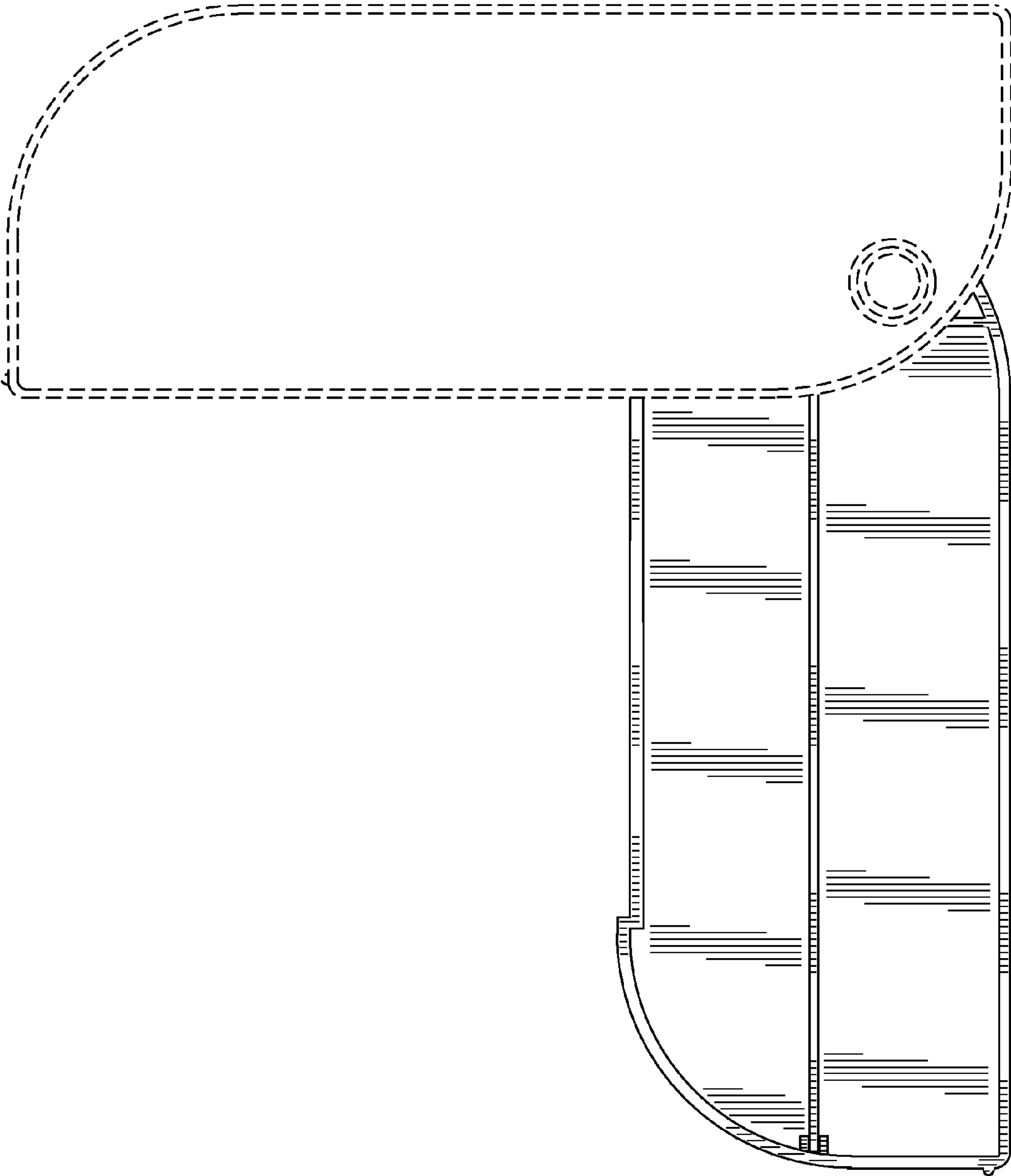


FIG. 6

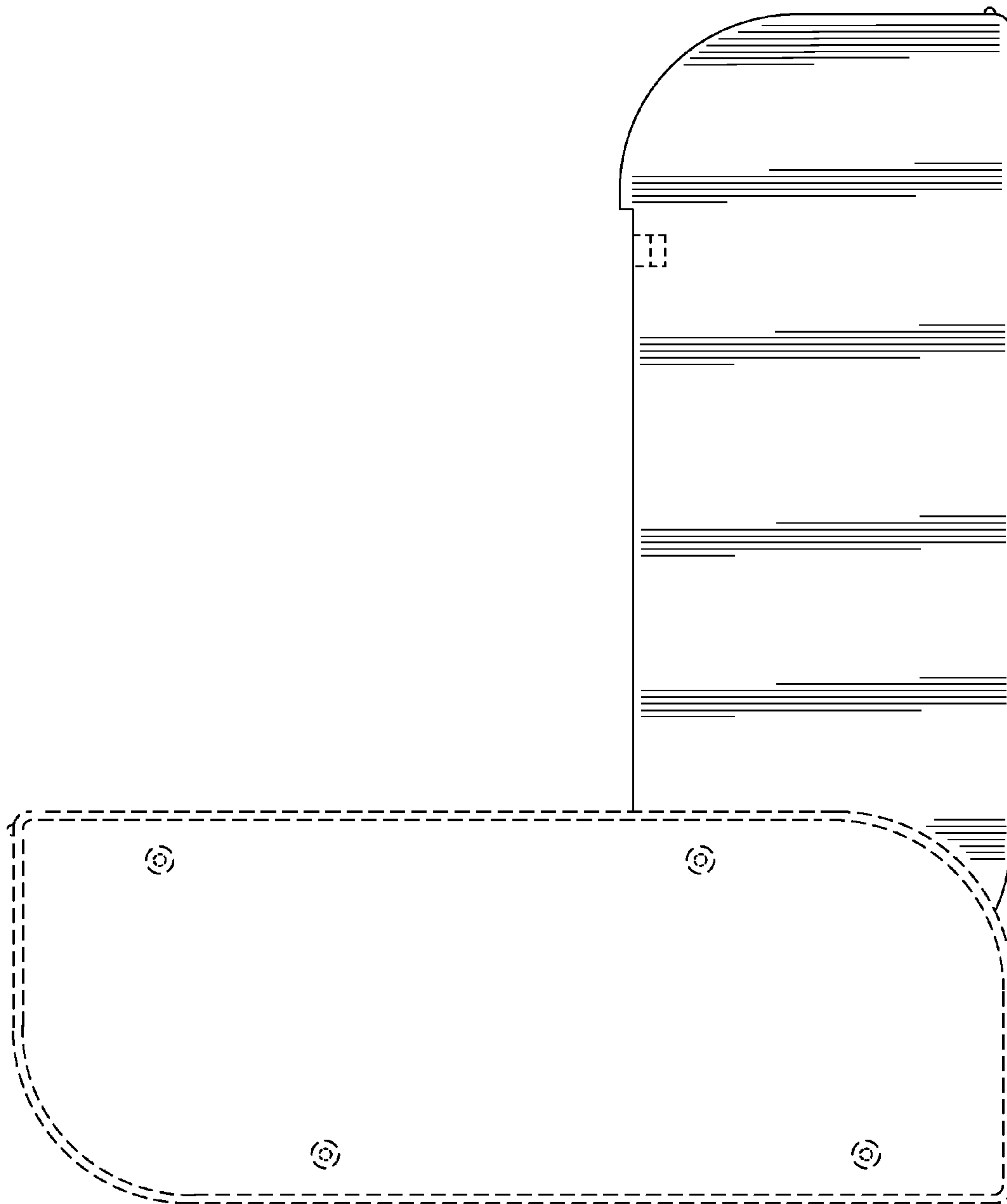


FIG. 7