



US00D687679S

(12) **United States Design Patent**  
**Mikulka**

(10) **Patent No.:** **US D687,679 S**

(45) **Date of Patent:** **\*\* Aug. 13, 2013**

(54) **ONE COMPARTMENT DEEP TRAY**

(76) Inventor: **John M. Mikulka**, Corona del Mar, CA  
(US)

(\*\*) Term: **14 Years**

(21) Appl. No.: **29/394,118**

(22) Filed: **Jun. 13, 2011**

(51) **LOC (9) Cl.** ..... **07-01**

(52) **U.S. Cl.**  
USPC ..... **D7/553.2**

(58) **Field of Classification Search**  
USPC ..... D7/354, 553.2-553.3, 554.3-554.4,  
D7/585-588, 602-604; D9/424-425, 430-432;  
220/1.5, 23.6, 561-562, 574-575; 206/503,  
206/518, 557, 563  
See application file for complete search history.

(56) **References Cited**

**U.S. PATENT DOCUMENTS**

D289,844 S *	5/1987	Daenen et al.	.....	D7/354
D363,662 S *	10/1995	Plater	.....	D9/425
D404,571 S *	1/1999	Evans	.....	D3/312
D415,656 S *	10/1999	Henry	.....	D7/545
D417,361 S *	12/1999	Mittmann et al.	.....	D7/396.1
D432,866 S *	10/2000	Harrison	.....	D7/545
D489,226 S *	5/2004	De Neubourg	.....	D7/554.3
D513,376 S *	1/2006	Shannon	.....	D7/629
D517,366 S *	3/2006	Oztiryaki	.....	D7/354
D536,608 S *	2/2007	Arkins	.....	D9/414
D540,122 S *	4/2007	Wasserman et al.	.....	D7/584
D555,476 S *	11/2007	Nielsen et al.	.....	D9/425
D614,919 S *	5/2010	Carlson	.....	D7/602
D622,540 S *	8/2010	Sarnoff et al.	.....	D7/354
D630,899 S *	1/2011	Samartgis	.....	D7/602

D642,904 S *	8/2011	Turvey	.....	D9/424
D644,884 S *	9/2011	Samartgis	.....	D7/602
D645,738 S *	9/2011	Shiffer et al.	.....	D9/428
D646,160 S *	10/2011	Shiffer et al.	.....	D9/428
D653,901 S *	2/2012	Sarnoff et al.	.....	D7/354
D655,577 S *	3/2012	Samartgis	.....	D7/602
D655,578 S *	3/2012	Samartgis	.....	D7/602
D657,992 S *	4/2012	Moodie et al.	.....	D7/354

**OTHER PUBLICATIONS**

Be Green Packaging LLC, Be Green Packaging LLC Live The Color,  
<http://www.begreenpackaging.com/products-manufacturing/product-list.pdf>, 2011, total pp. 7.

\* cited by examiner

*Primary Examiner* — Kelley Donnelly

(74) *Attorney, Agent, or Firm* — Novak Druce Connolly  
Bove + Quigg; John L. Paik

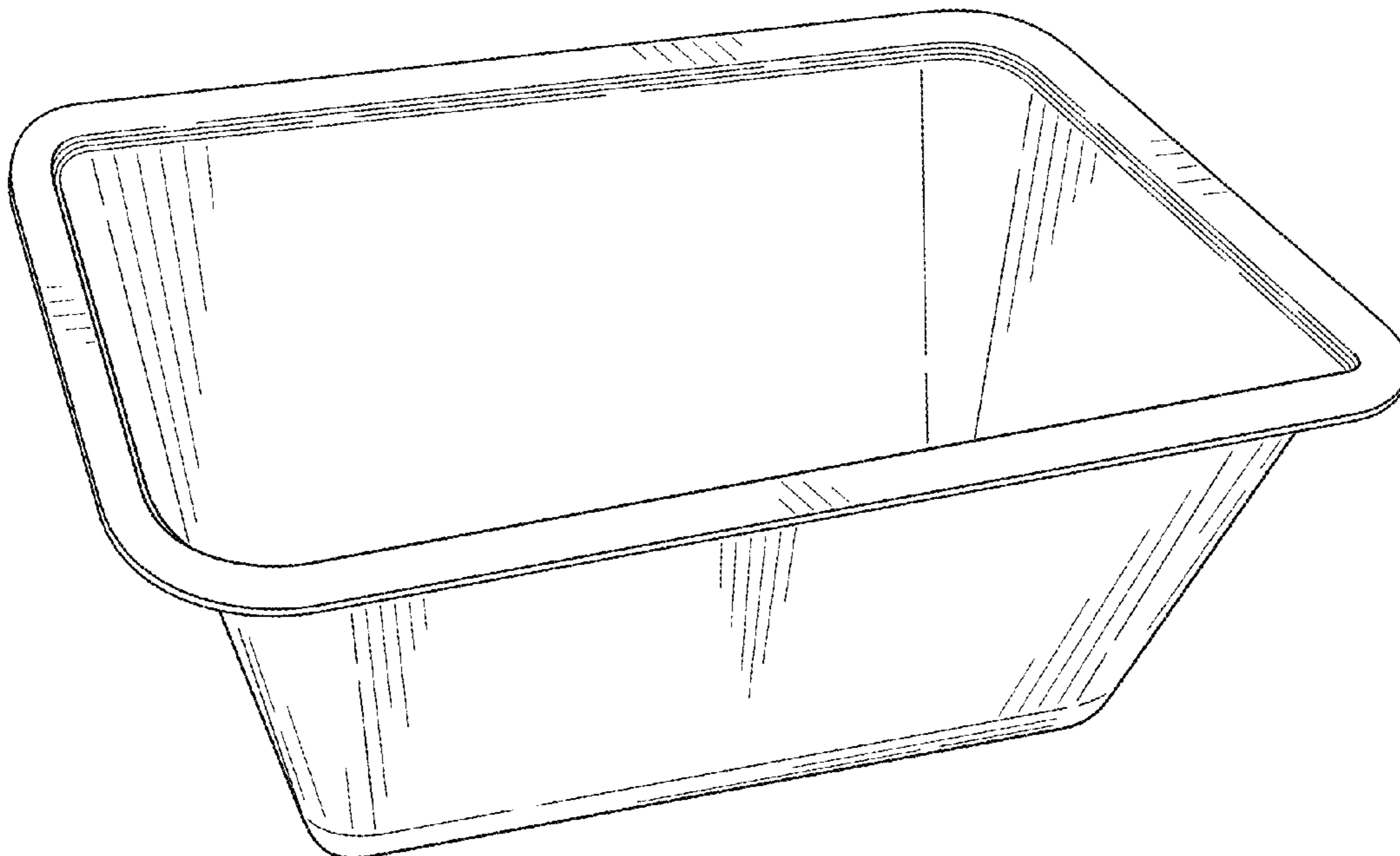
(57) **CLAIM**

The ornamental design for a one compartment deep tray, as shown and described.

**DESCRIPTION**

FIG. 1 is a perspective view of a one compartment deep tray showing my new design;  
FIG. 2 is a front side elevational view thereof, the rear side view being identical;  
FIG. 3 is a left side elevational view thereof, the right side elevational view being identical;  
FIG. 4 is a top plan view thereof; and,  
FIG. 5 is a bottom plan view thereof.

**1 Claim, 3 Drawing Sheets**



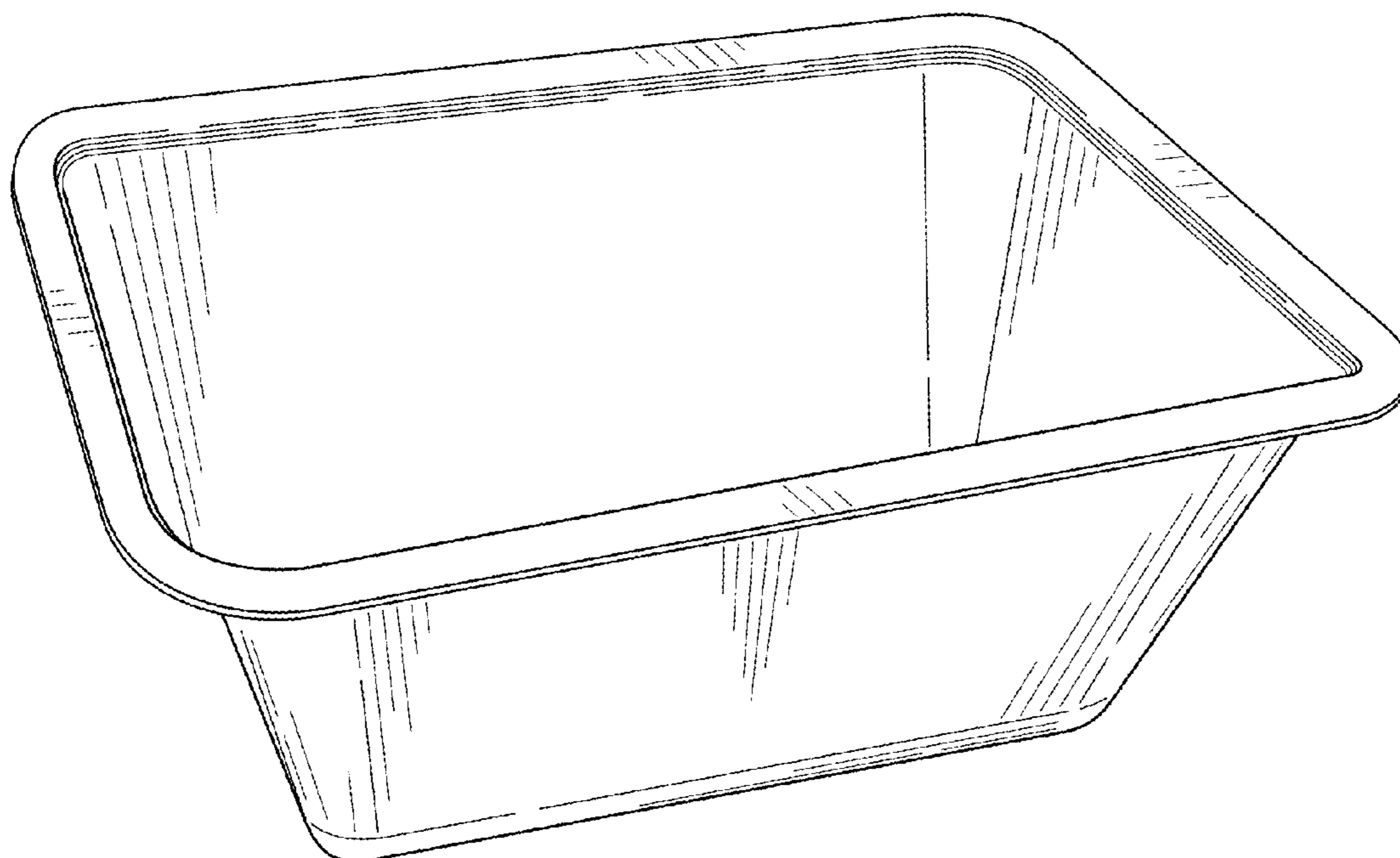


FIG. 1

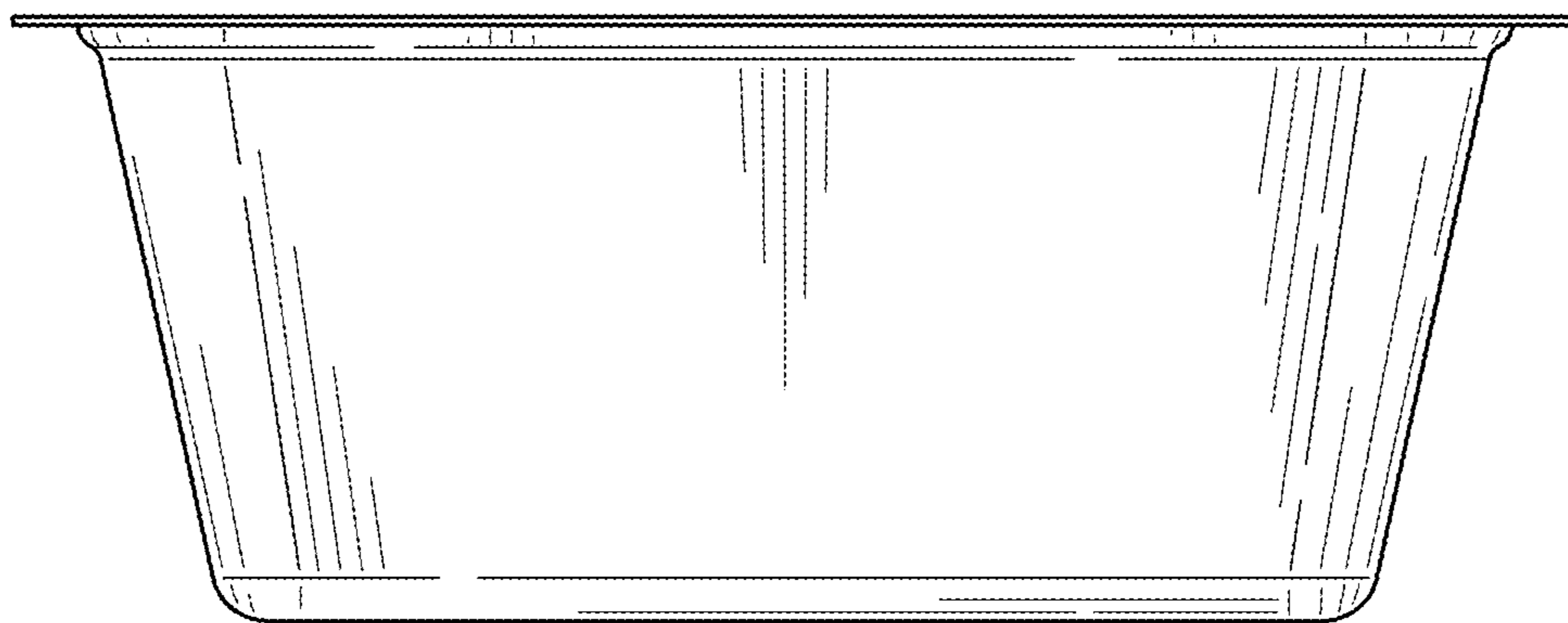


FIG. 2

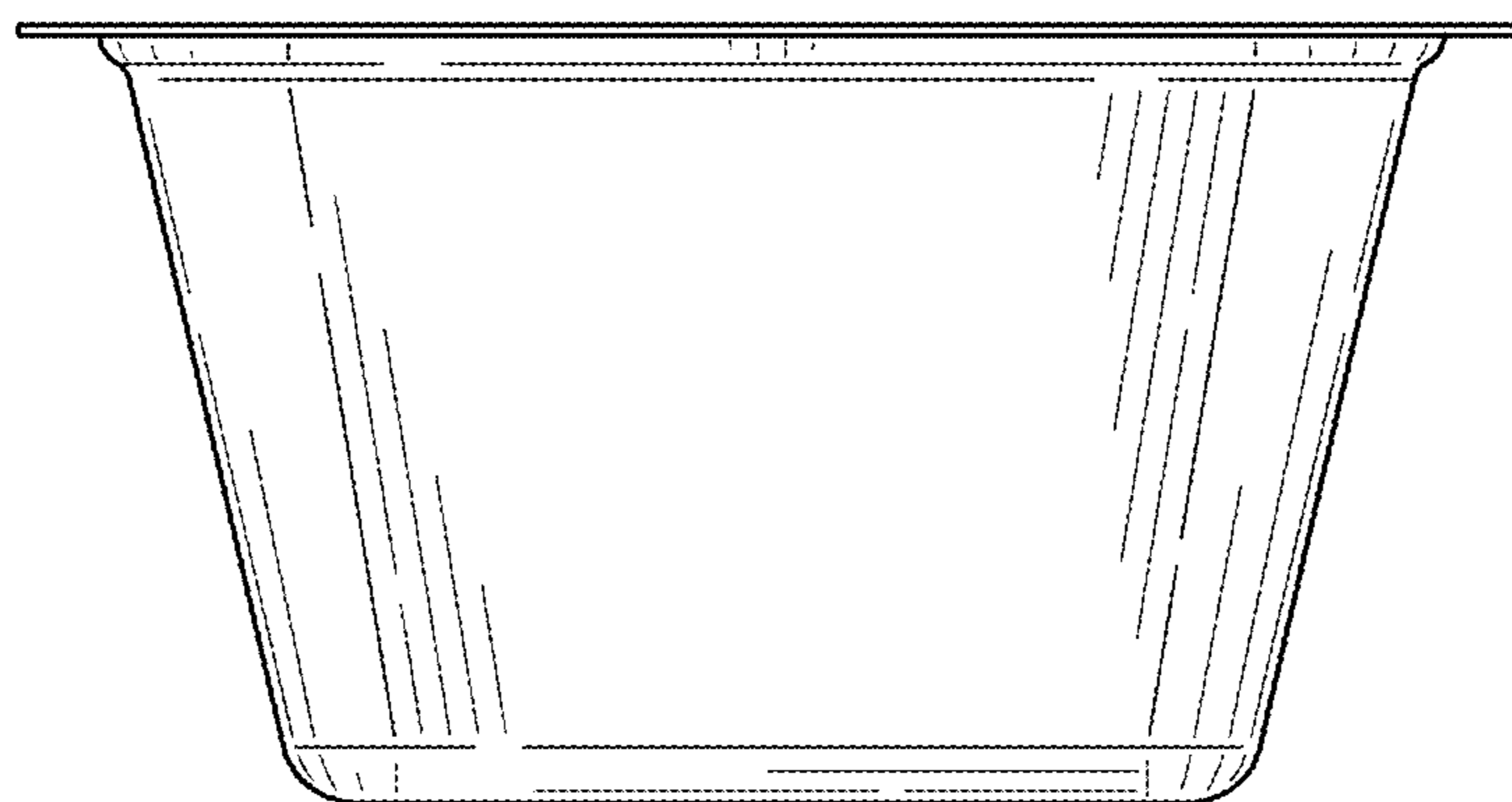


FIG. 3

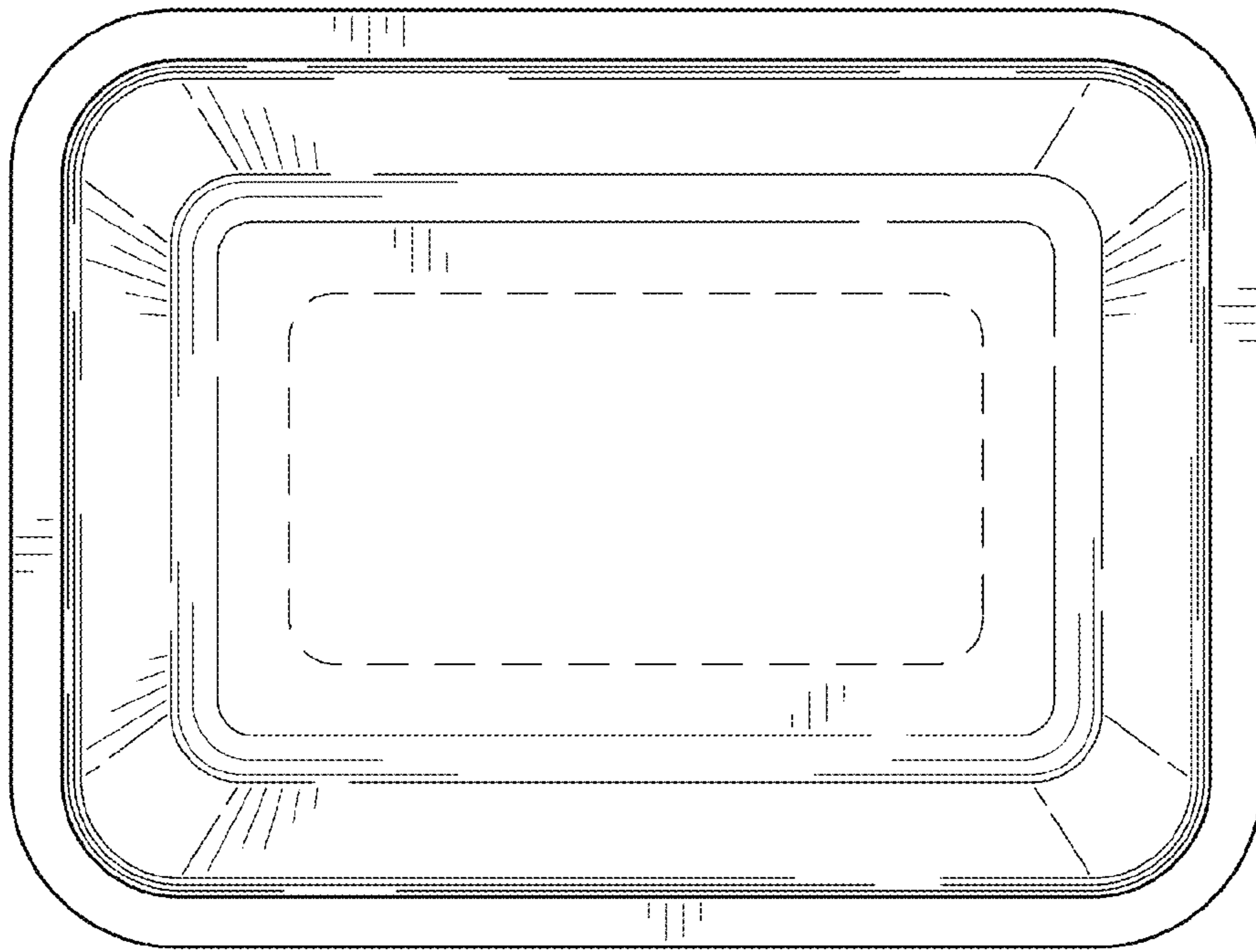


FIG. 4

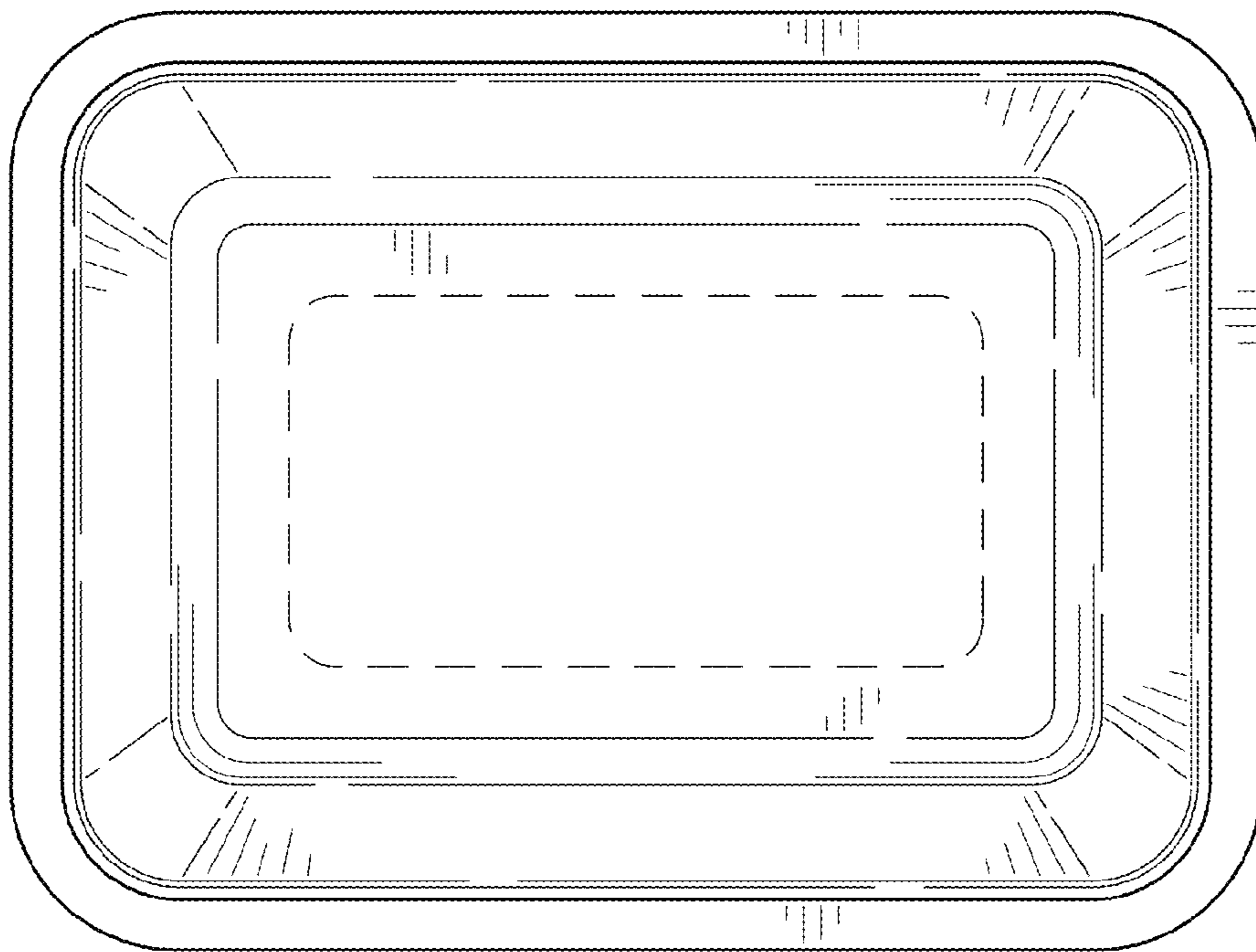


FIG. 5