



US00D687678S

(12) **United States Design Patent**
Del Solar et al.

(10) **Patent No.:** **US D687,678 S**

(45) **Date of Patent:** **** Aug. 13, 2013**

(54) **BOWL WITH LID**

(75) Inventors: **Maria Alexandra Del Solar**, Stamford, CT (US); **Diana Sierra**, North Bergen, NJ (US)

(73) Assignee: **Playtex Products, LLC**, Shelton, CT (US)

(**) Term: **14 Years**

(21) Appl. No.: **29/389,713**

(22) Filed: **Apr. 15, 2011**

(51) **LOC (9) Cl.** **07-01**

(52) **U.S. Cl.**

USPC **D7/538**; D7/629

(58) **Field of Classification Search**

USPC D7/542, 500, 538, 601, 602, 587, D7/584, 629, 354; D9/424, 425, 426, 427, D9/428, 429, 430, 431, 432; 206/561; 220/575, 220/574; 29/527.1

See application file for complete search history.

(56) **References Cited**

U.S. PATENT DOCUMENTS

4,471,880	A	9/1984	Taylor et al.	
4,809,868	A	3/1989	Pomroy	
D419,394	S *	1/2000	Wilson et al.	D7/629
D476,861	S *	7/2003	Zettle et al.	D7/629
D508,188	S	8/2005	Zettle et al.	
D539,098	S	3/2007	Tucker et al.	
D555,982	S *	11/2007	Tucker et al.	D7/629
D562,640	S *	2/2008	Tucker et al.	D7/629
D566,483	S *	4/2008	Tucker et al.	D7/629

D613,125	S *	4/2010	Sierra et al.	D7/584
D621,664	S *	8/2010	Heiberg et al.	D7/587
D641,212	S *	7/2011	Olivari et al.	D7/587

(Continued)

OTHER PUBLICATIONS

International Search Report and Written Opinion Dated July 2, 2012 From PCT Application No. PCT/US2012/033772.

Primary Examiner — Cynthia Underwood

(74) *Attorney, Agent, or Firm* — Ohlandt, Greeley, Ruggiero & Perle, L.L.P.

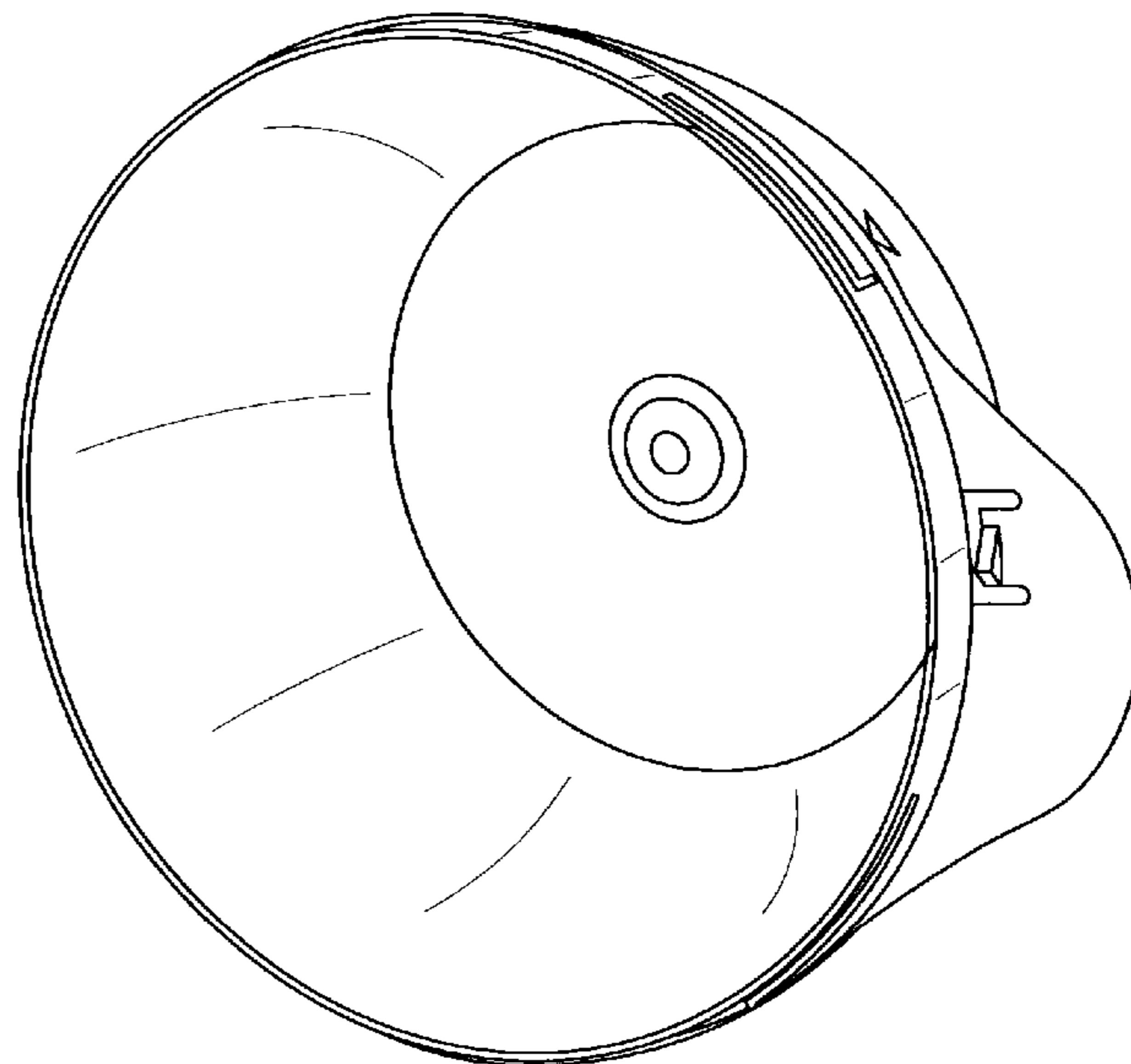
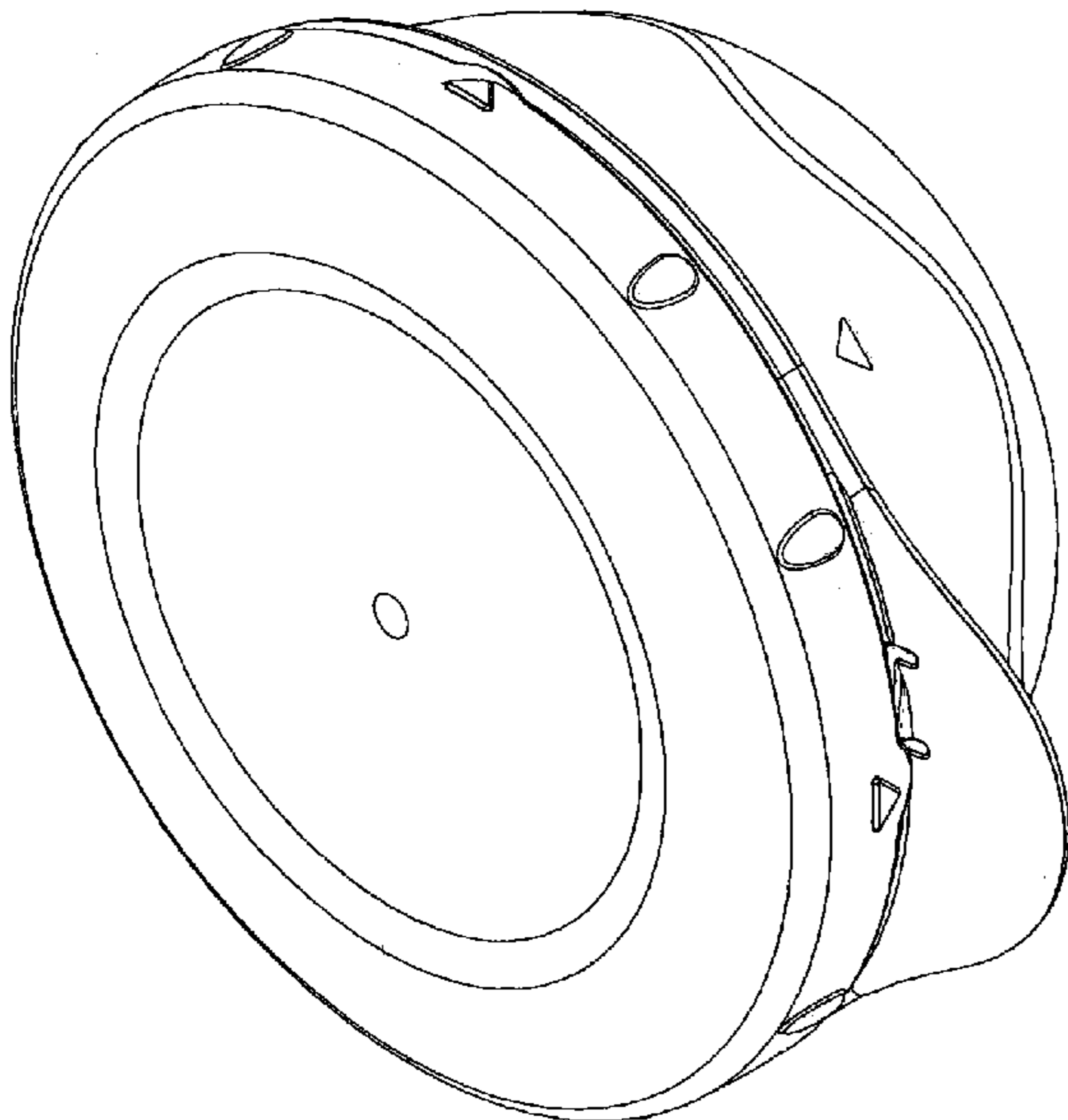
(57) **CLAIM**

The ornamental design for a bowl with lid, as shown and described.

DESCRIPTION

FIG. 1 is a front, top perspective view of the bowl with lid according to the present design;
 FIG. 2 is a top view of the bowl with lid of FIG. 1;
 FIG. 3 is a bottom view of the bowl with lid of FIG. 1;
 FIG. 4 is a rear view of the bowl with lid of FIG. 1;
 FIG. 5 is a front view of the bowl with lid of FIG. 1;
 FIG. 6 is a right side view of the bowl with lid of FIG. 1;
 FIG. 7 is a left side view of the bowl with lid of FIG. 1;
 FIG. 8 is the front, perspective view of a bowl of the bowl with lid of FIG. 1 in an open configuration with the lid removed;
 FIG. 9 is the rear view of the bowl of the bowl with lid of FIG. 1 in the open configuration with the lid removed;
 FIG. 10 is the top view of the bowl of the bowl with lid of FIG. 1 in the open configuration with the lid removed;
 FIG. 11 is the bottom view of the lid of the bowl with lid of FIG. 1 in the open configuration with the bowl removed; and,
 FIG. 12 is the left side view of the lid of the bowl with lid of FIG. 1 in the open configuration with the bowl removed.

1 Claim, 12 Drawing Sheets



US D687,678 S

Page 2

(56)

References Cited

U.S. PATENT DOCUMENTS

D658,931 S * 5/2012 Joutras D7/354
D666,875 S * 9/2012 Rusnak D7/602

D666,876 S * 9/2012 Rusnak D7/602
2008/0110850 A1 5/2008 Tilton
2009/0242562 A1 10/2009 Valderrama et al.

* cited by examiner

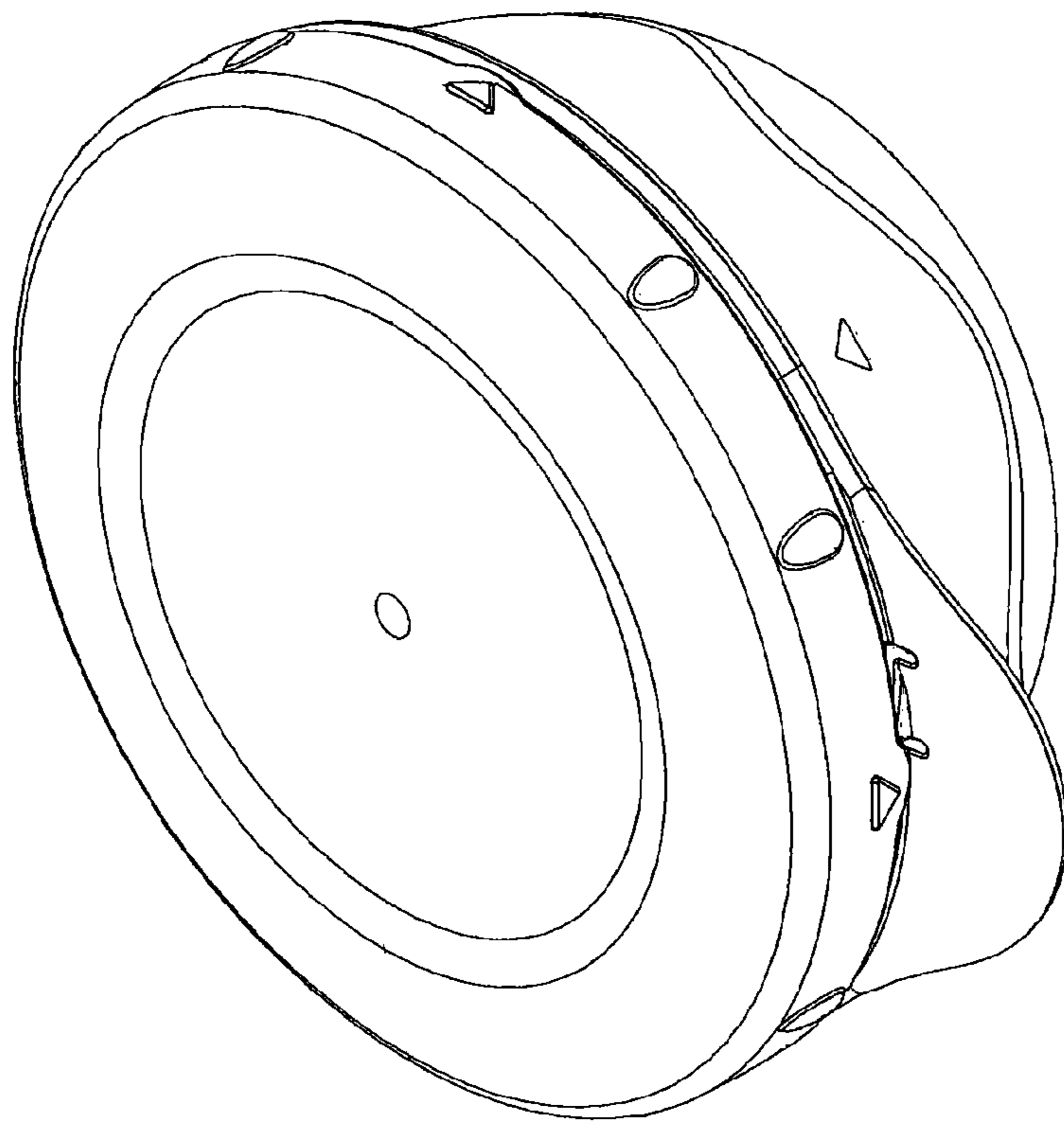


FIG. 1

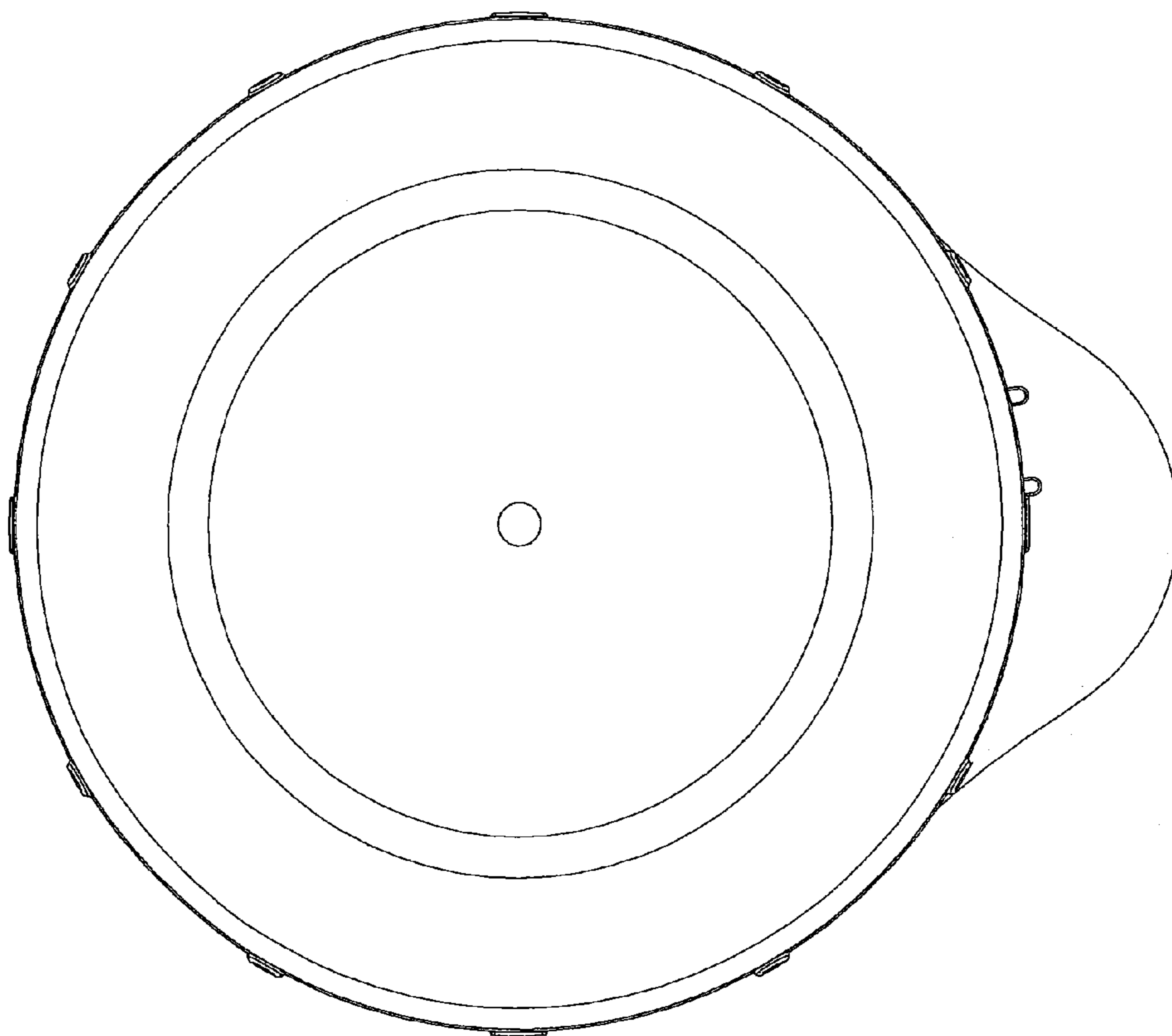


FIG. 2

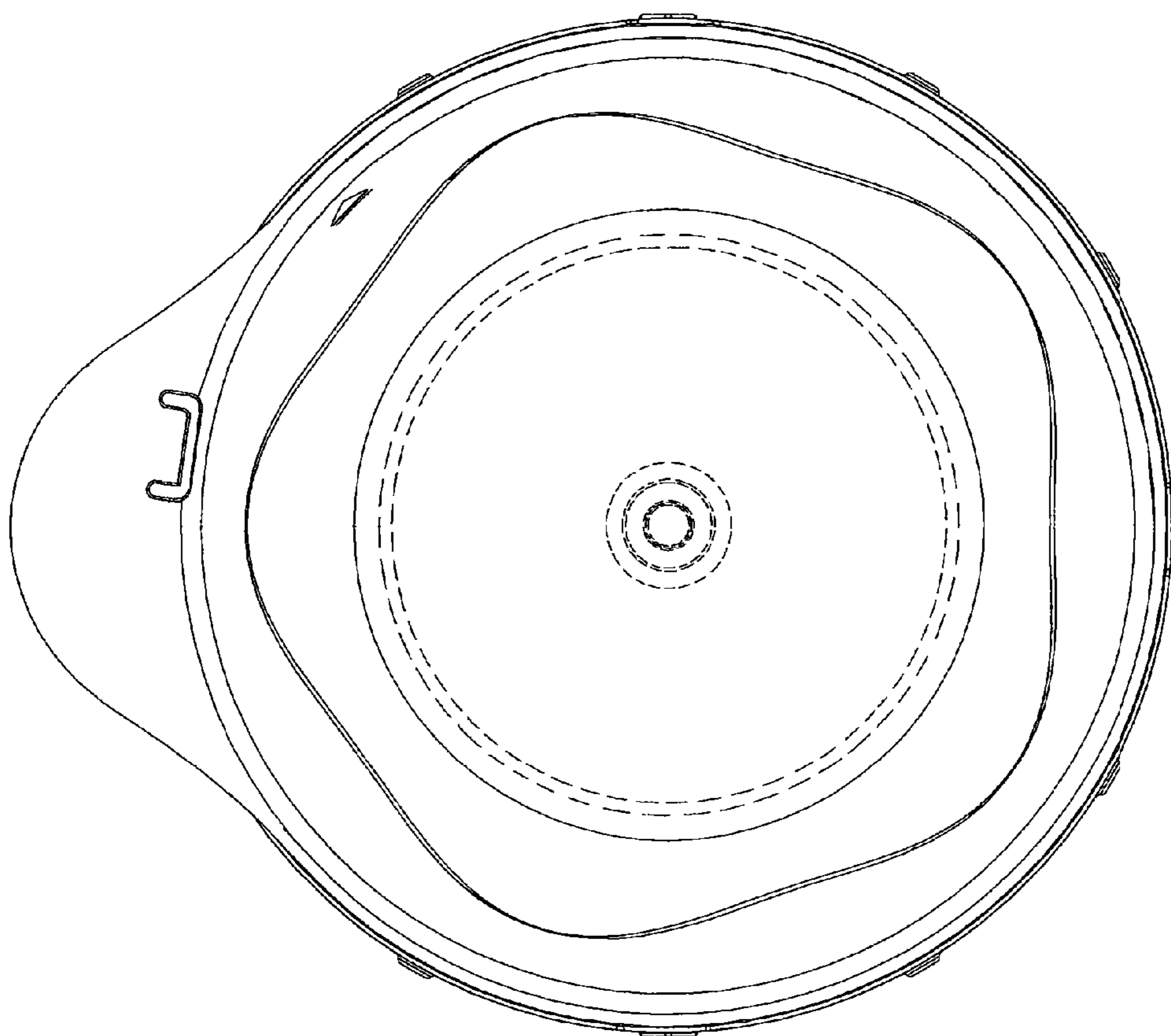


FIG. 3

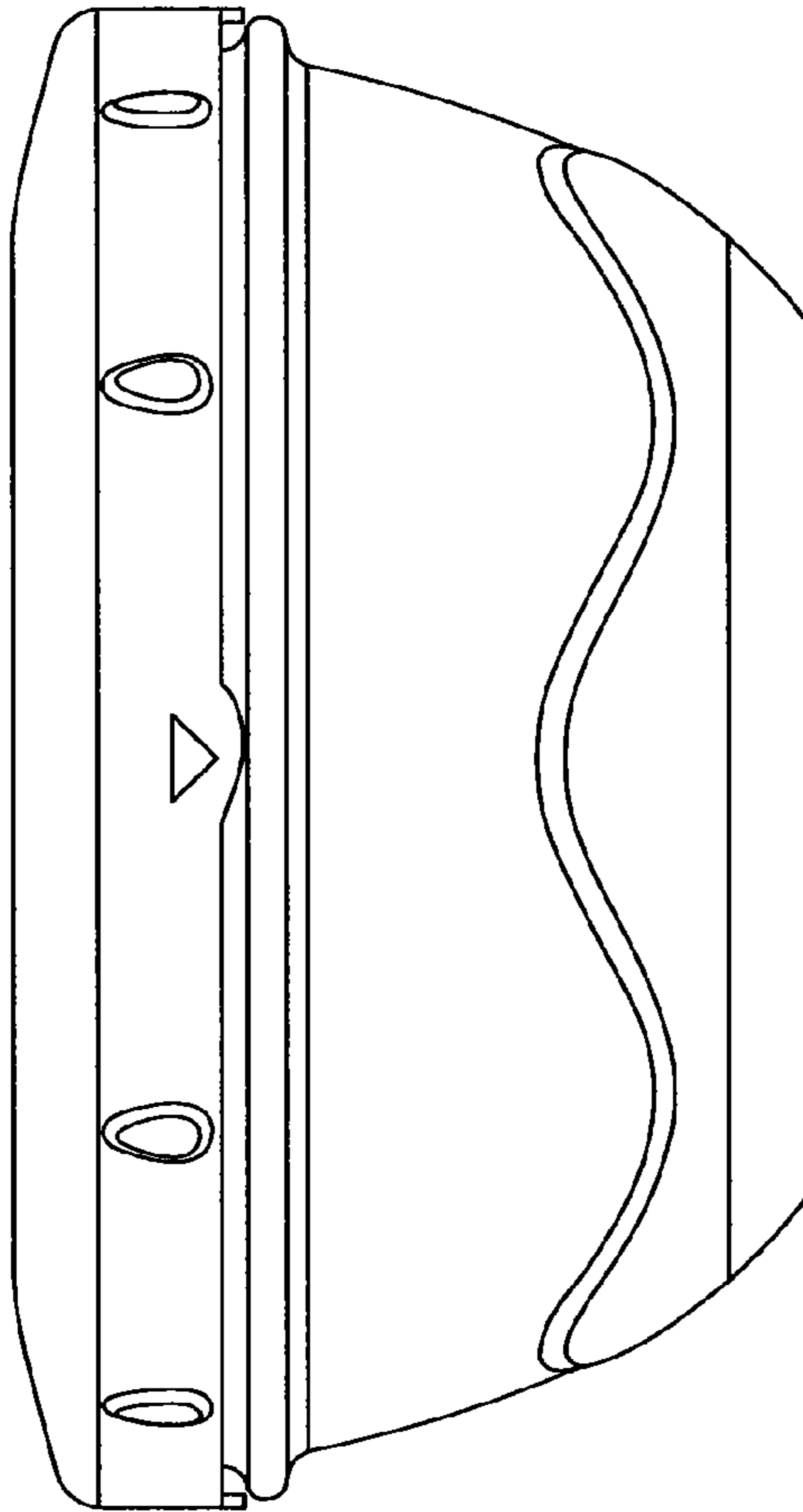


FIG. 4

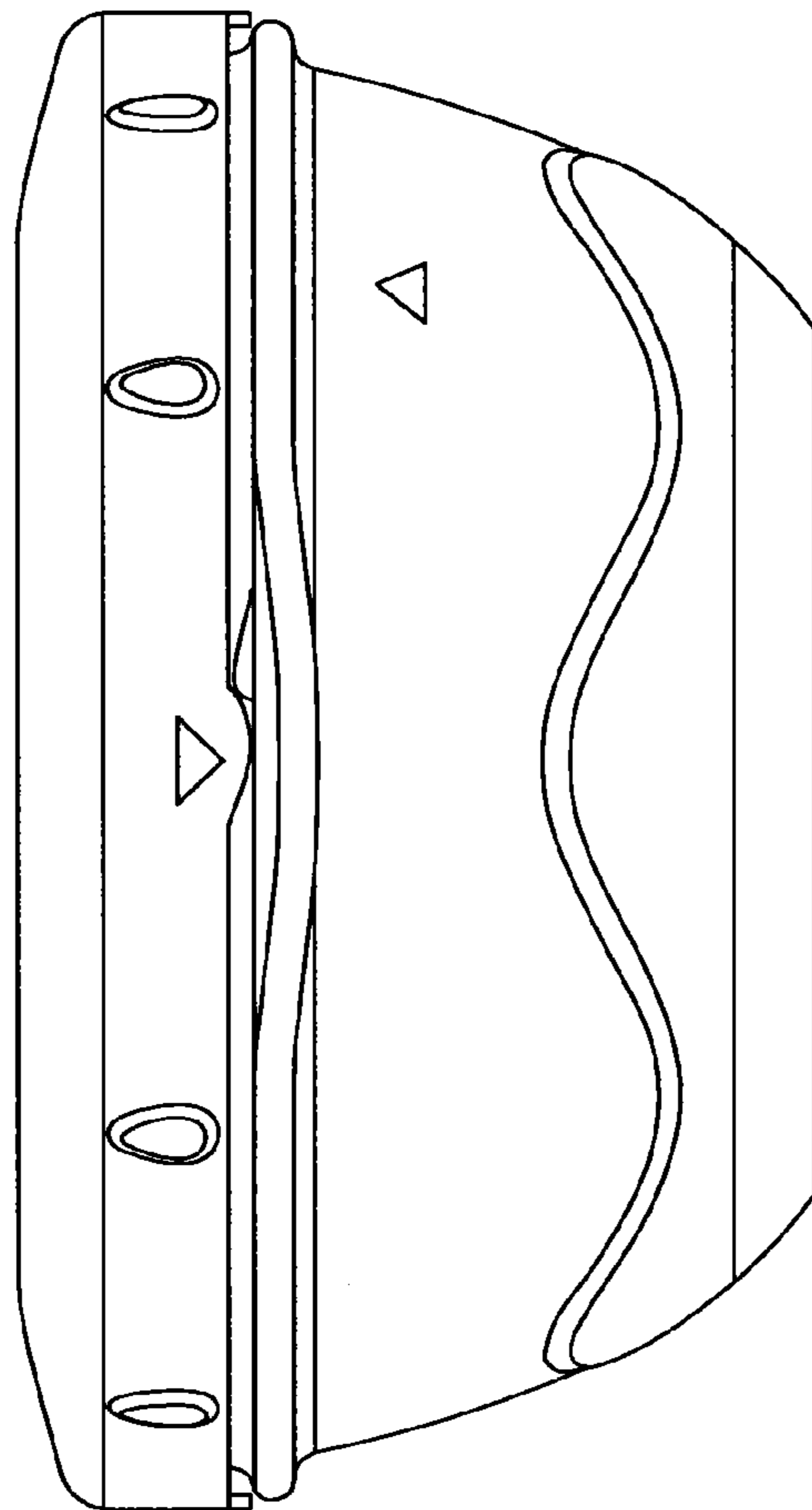


FIG. 5

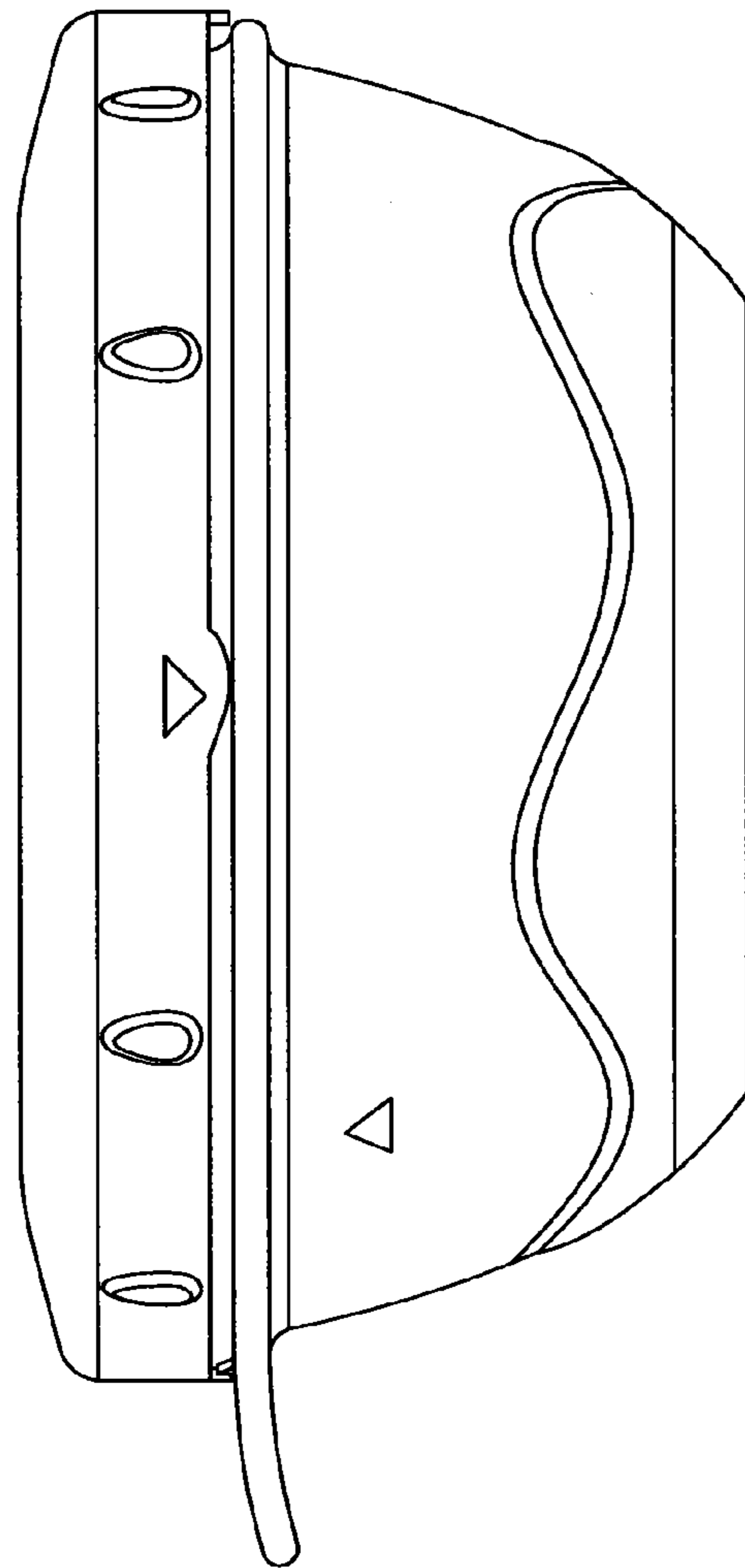


FIG. 6

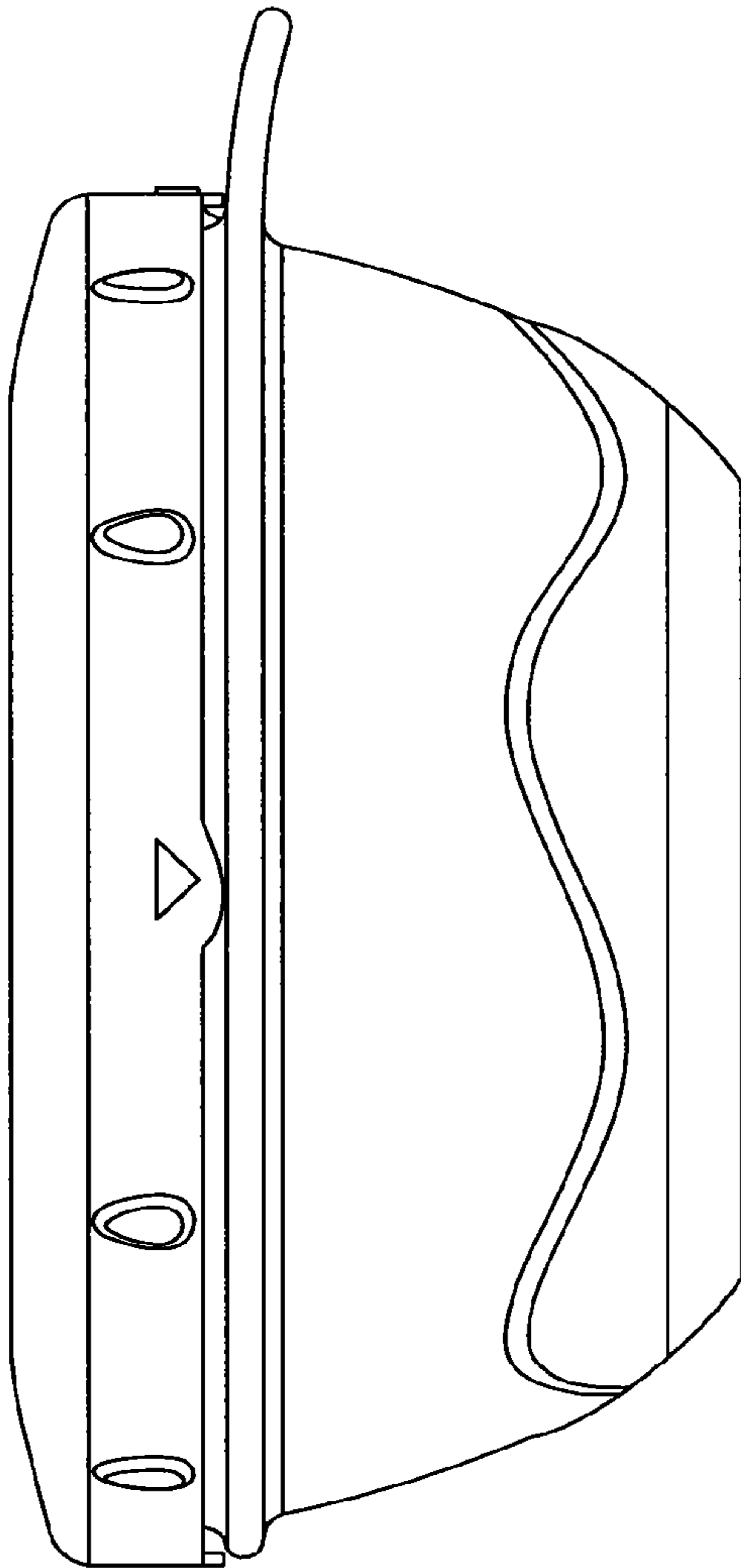


FIG. 7

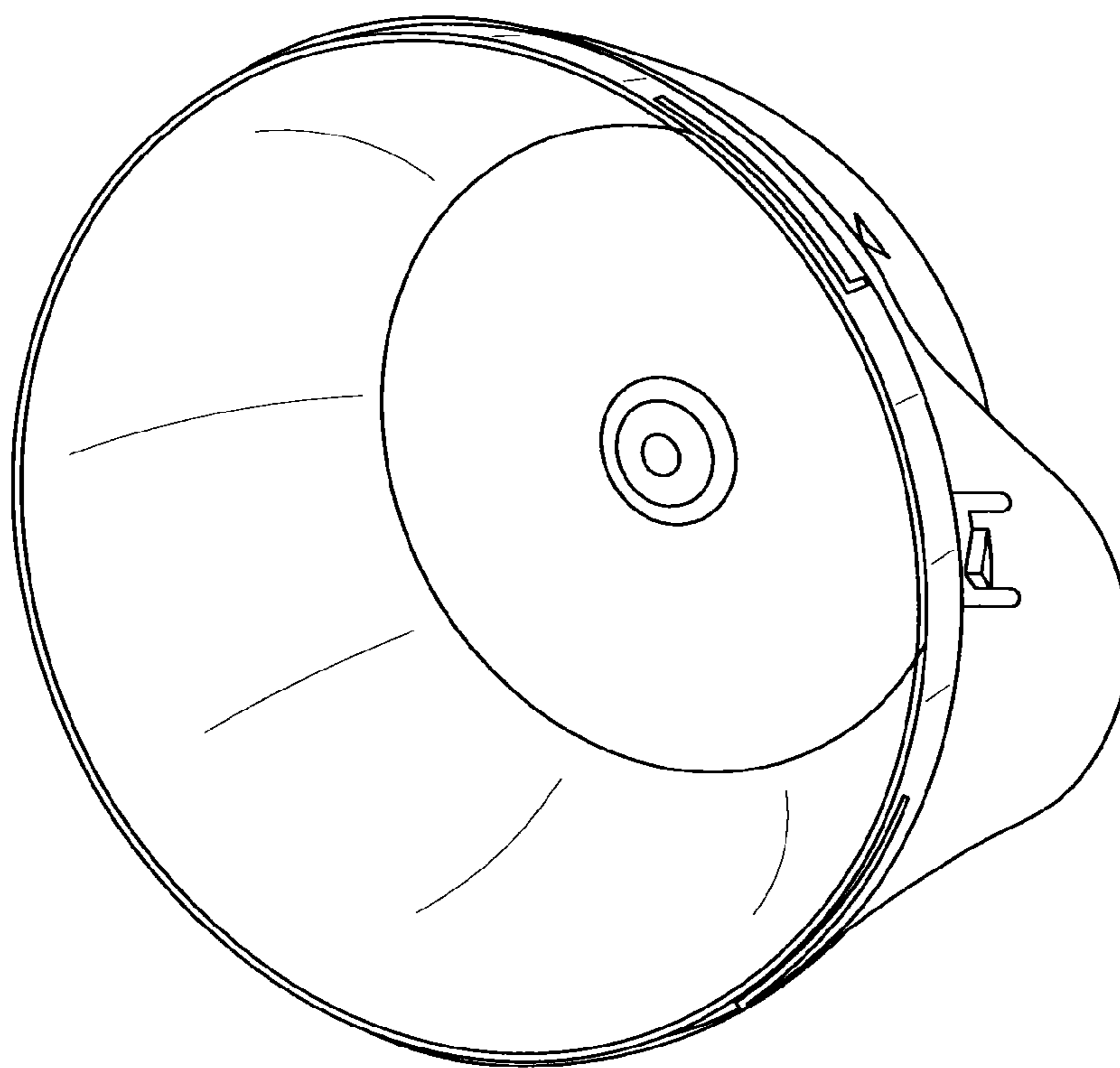


FIG. 8

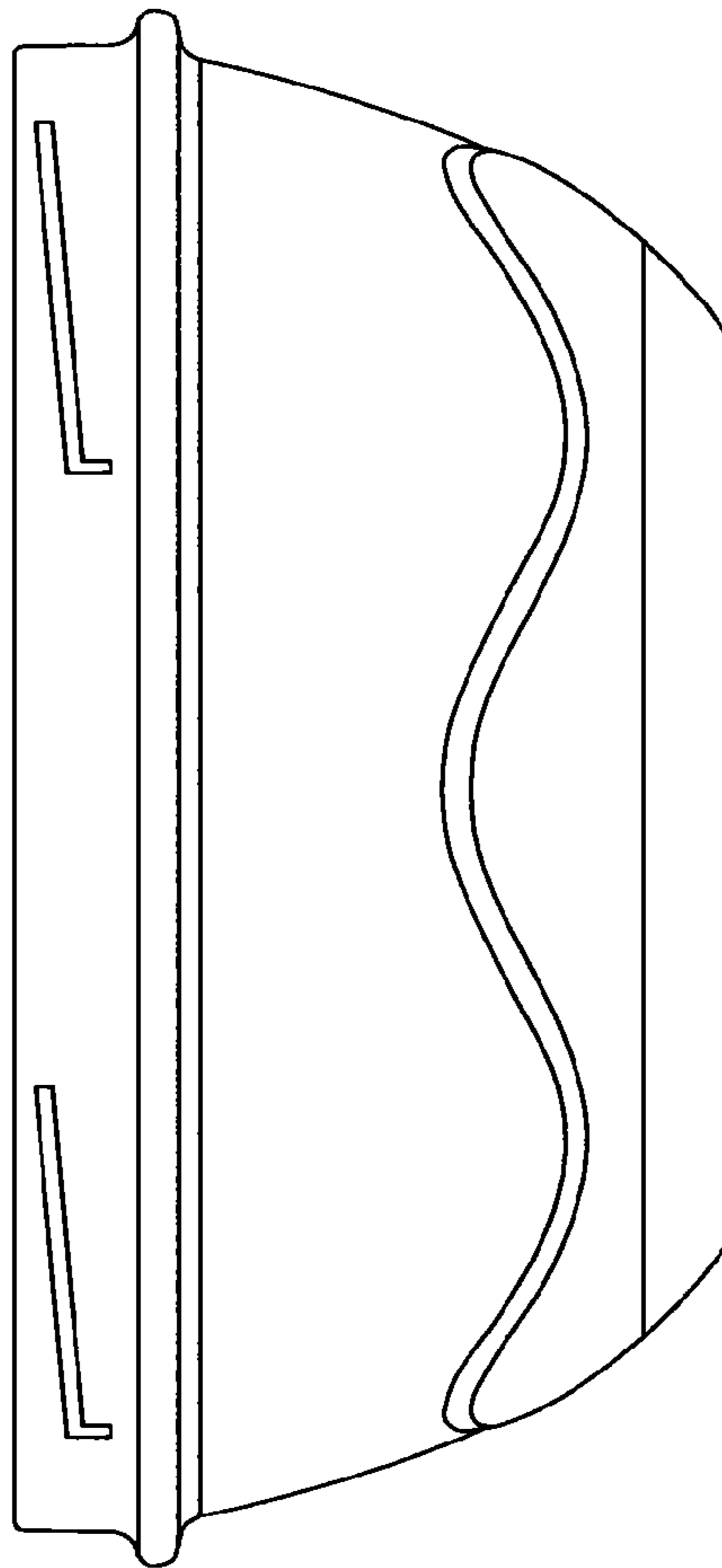


FIG. 9

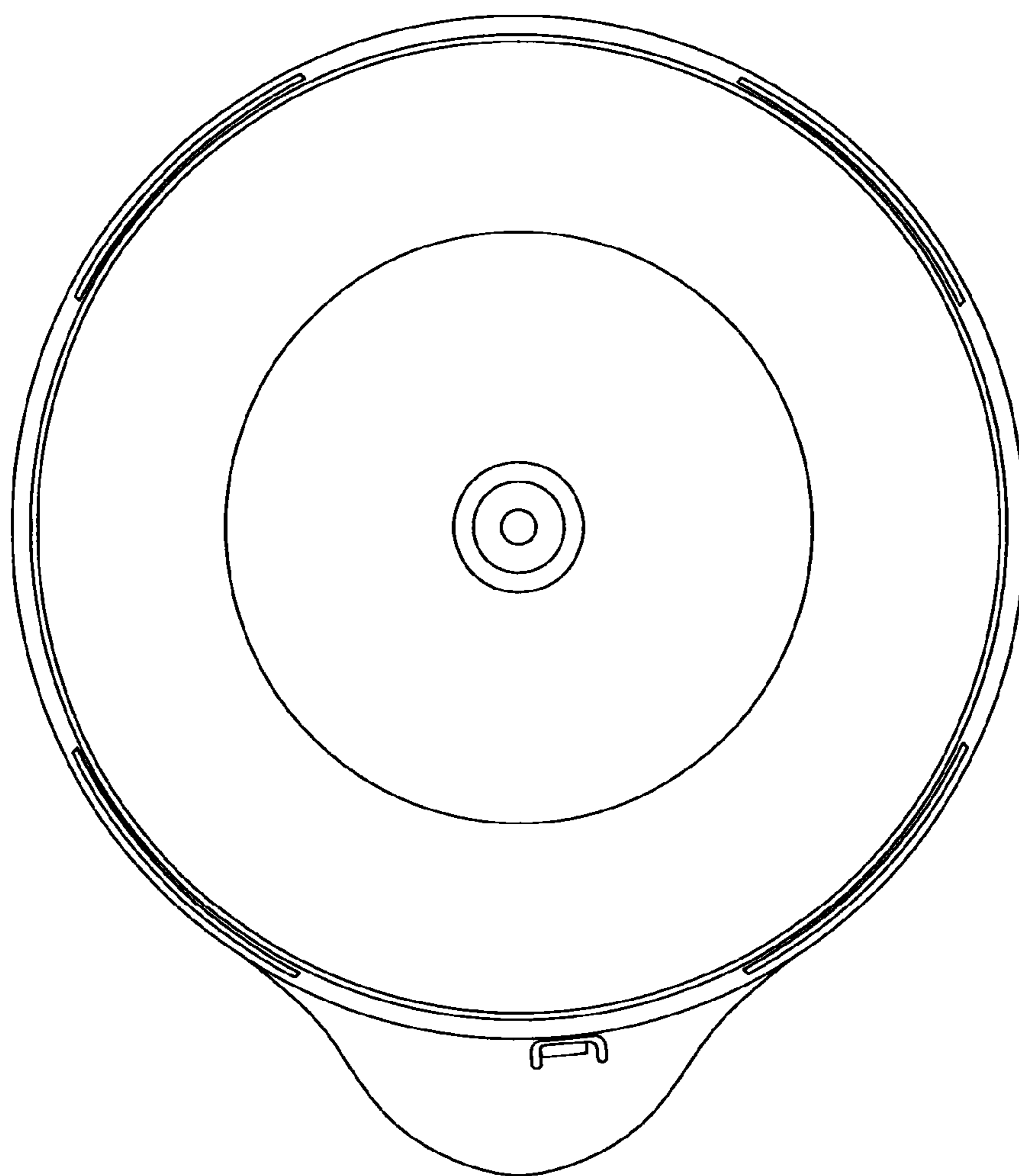


FIG. 10

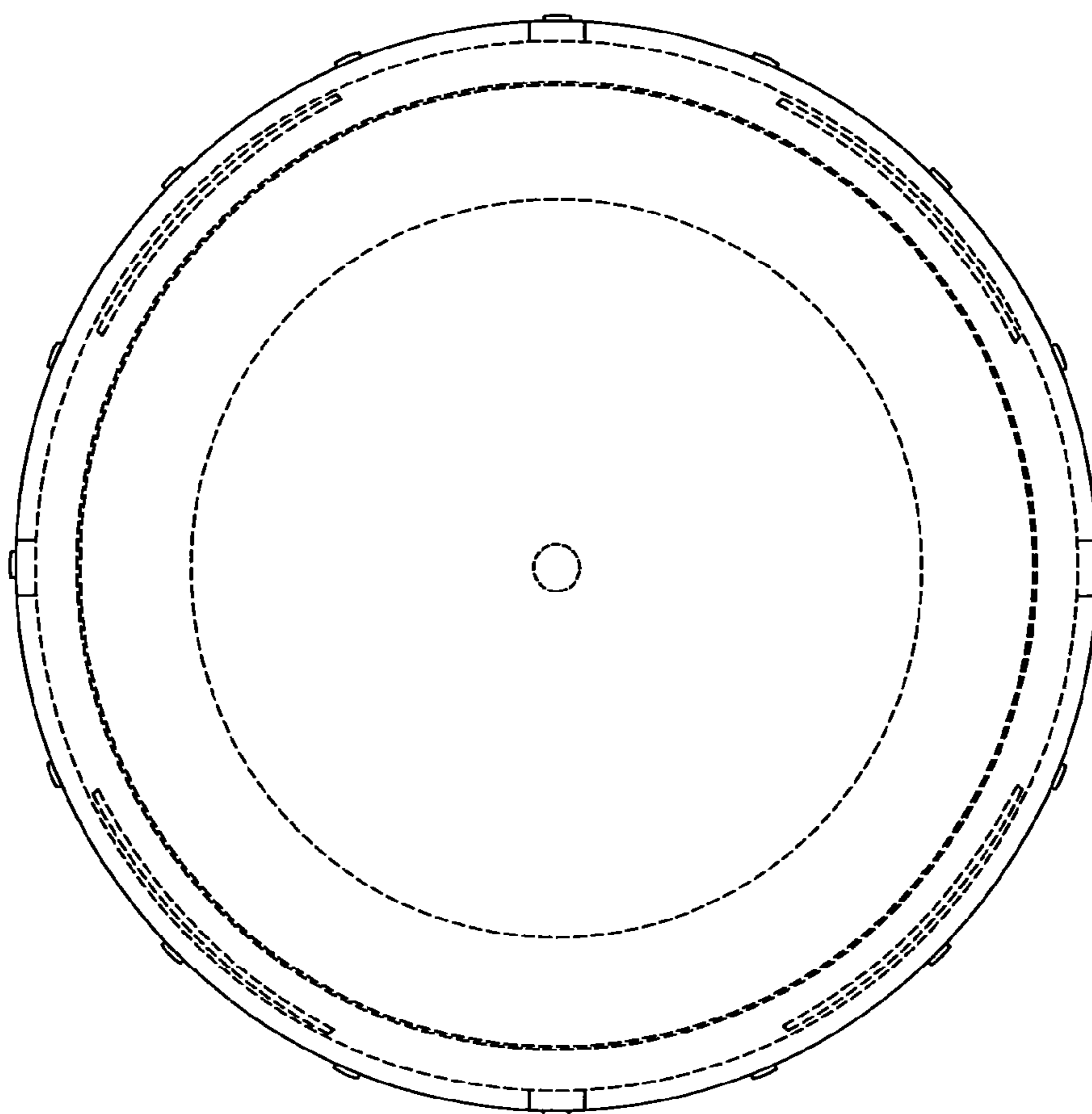


FIG. 11

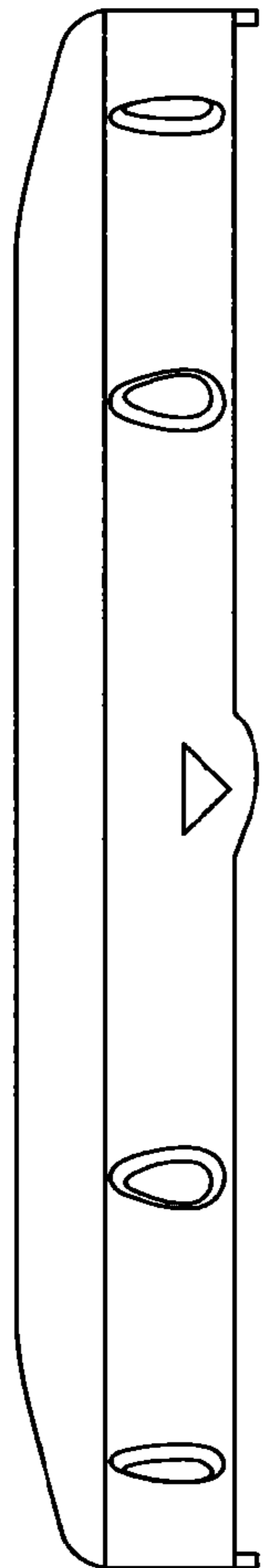


FIG. 12