



US00D687675S

(12) **United States Design Patent**
Filho et al.

(10) **Patent No.:** **US D687,675 S**

(45) **Date of Patent:** **** Aug. 13, 2013**

(54) **GAS BURNER**

(75) Inventors: **Ricardo Kolb Filho**, Joinville (BR);
Emmanuel Machado Vieira, Joinville
(BR); **Henrique Cesar de Gaspari**,
Joinville (BR)

(73) Assignee: **Whirlpool S.A.**, Sao Paulo (BR)

(**) Term: **14 Years**

(21) Appl. No.: **29/352,186**

(22) Filed: **Dec. 17, 2009**

(30) **Foreign Application Priority Data**

Jun. 19, 2009 (BR) DI6902173

(51) **LOC (9) Cl.** **07-02**

(52) **U.S. Cl.**
USPC **D7/407**

(58) **Field of Classification Search**
USPC D7/332, 334-337, 402-405, 407,
D7/392.1; 126/25 R, 39 C, 41 R, 25 A, 29-30,
126/25 AA, 9 R, 37-38, 40, 39 E, 39 H;
99/481-482; D26/118; D23/335, 386, 342,
D23/415; 392/357

See application file for complete search history.

(56) **References Cited**

U.S. PATENT DOCUMENTS

D42,339 S * 3/1912 Sherman D7/407
D48,913 S * 4/1916 Parisen D7/407
D102,760 S * 1/1937 Maul D7/407
D125,112 S * 2/1941 Reeves D7/407
D191,085 S * 8/1961 Kindl D7/407

D228,766 S * 10/1973 Stoher D23/415
D236,418 S * 8/1975 Deperrow D7/407
5,397,234 A * 3/1995 Kwiatek 431/264
D369,517 S * 5/1996 Ferlin D7/407
D414,377 S * 9/1999 Huang D7/407
D439,801 S * 4/2001 Measom D7/407
D468,963 S * 1/2003 Pai D7/407
7,017,572 B2 * 3/2006 Cadima 126/39 E
D524,105 S * 7/2006 Poltronieri D7/407
D564,296 S * 3/2008 Koch et al. D7/407
D565,893 S * 4/2008 Pryor et al. D7/407
D565,895 S * 4/2008 Pryor et al. D7/407
D581,214 S * 11/2008 Rosa et al. D7/407
D581,736 S * 12/2008 Besseas D7/407

* cited by examiner

Primary Examiner — T. Chase Nelson

Assistant Examiner — Mark Cavanna

(74) *Attorney, Agent, or Firm* — Woodcock Washburn LLP

(57) **CLAIM**

The ornamental design for a gas burner, as shown and described.

DESCRIPTION

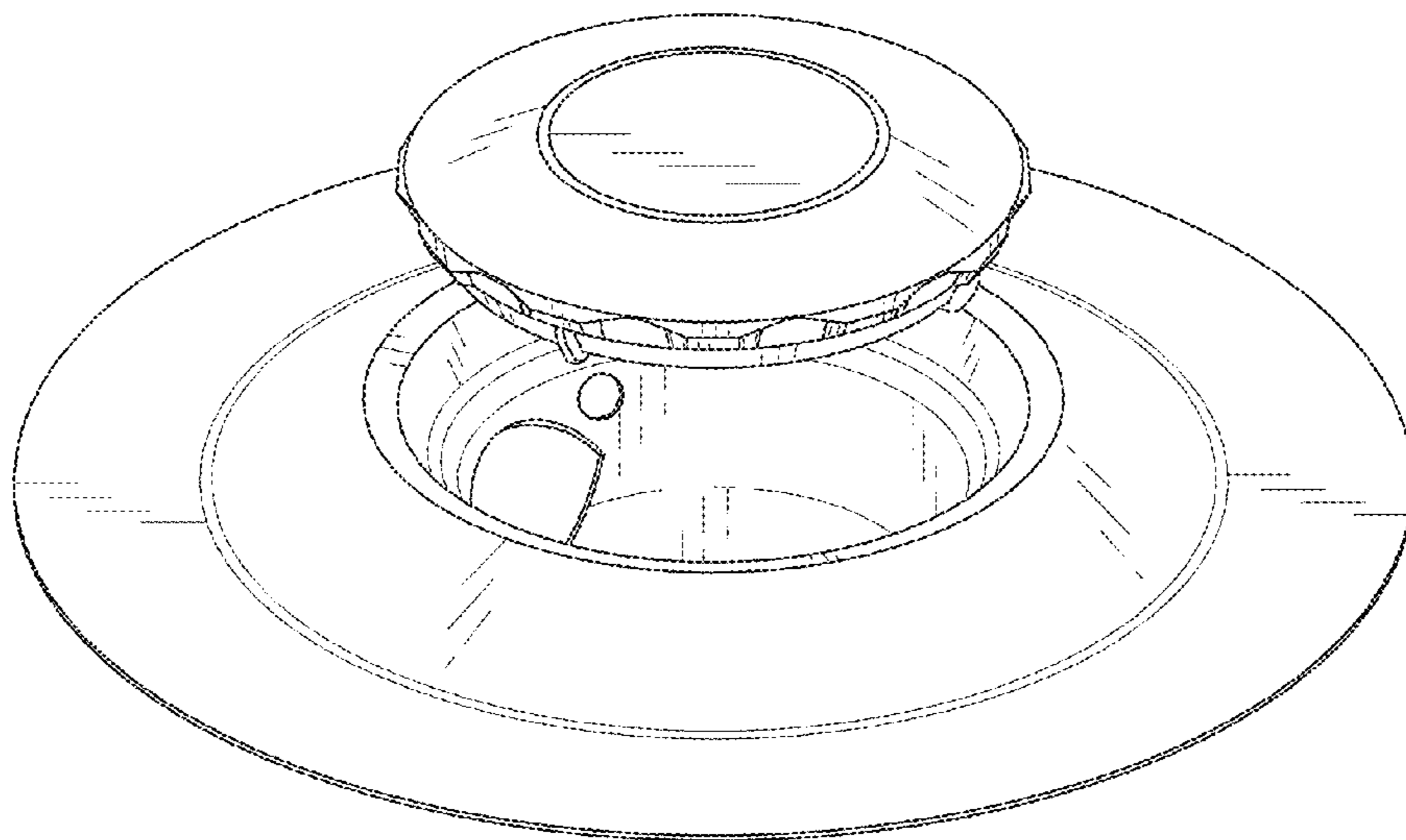
FIG. 1— an exploded perspective view of the gas burner of the present application, pointing out its cover and its base;

FIG. 2— a side view of the burner in the condition of cover mounted to the base;

FIG. 3— a second side view of the gas burner of the present application in the condition of cover mounted to the base, pointing out an inlet of the gas-injecting nozzle, as shown in FIG. 1; and,

FIG. 4— a top view of the gas burner of the present application, as shown in FIG. 2.

1 Claim, 2 Drawing Sheets



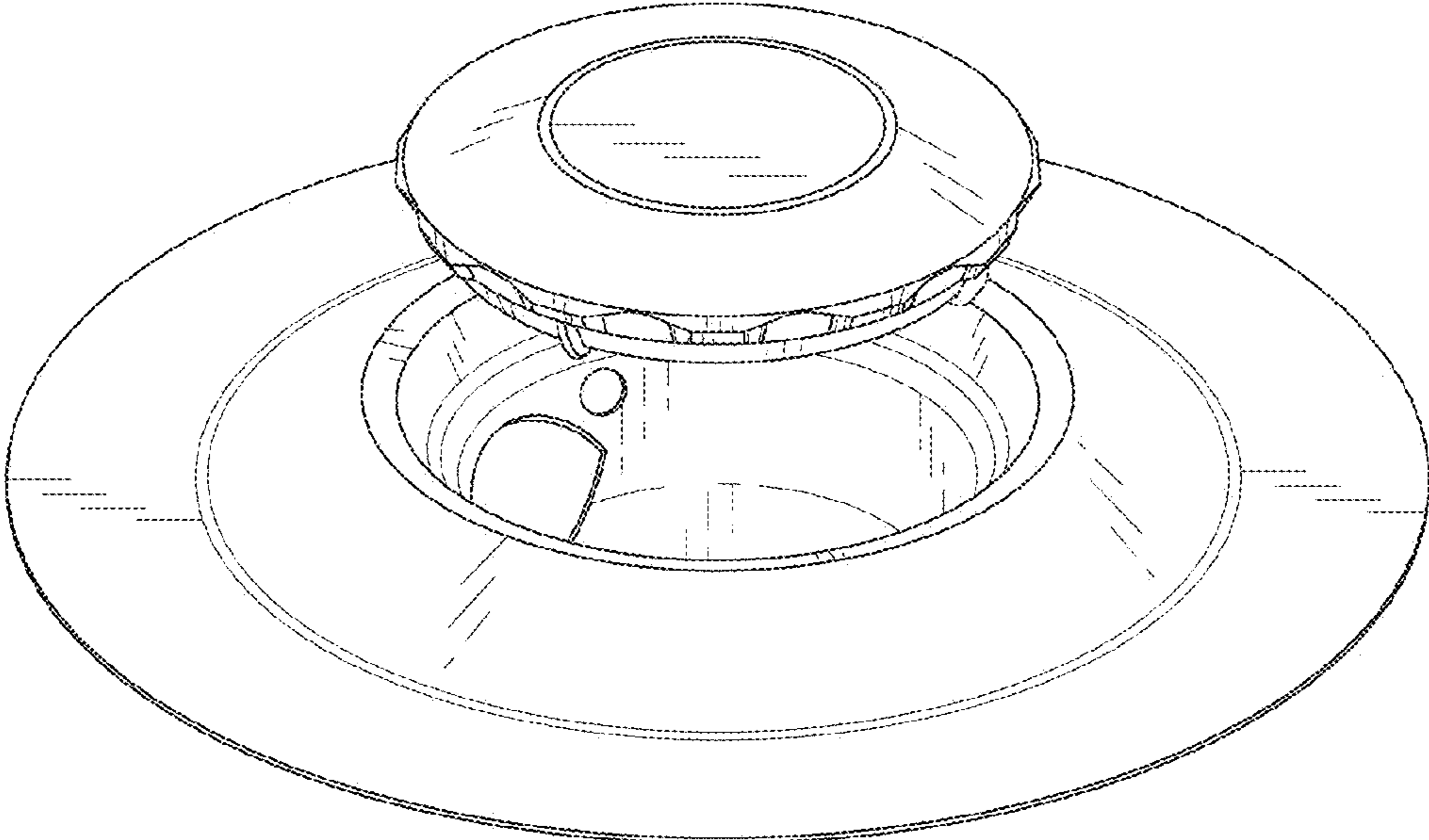


FIG. 1

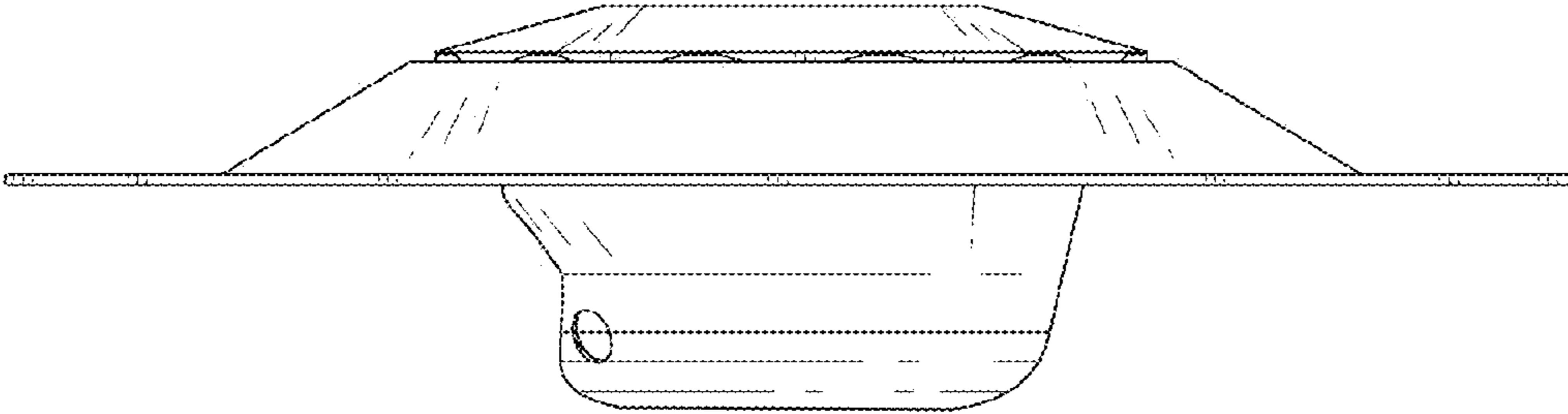


FIG. 2

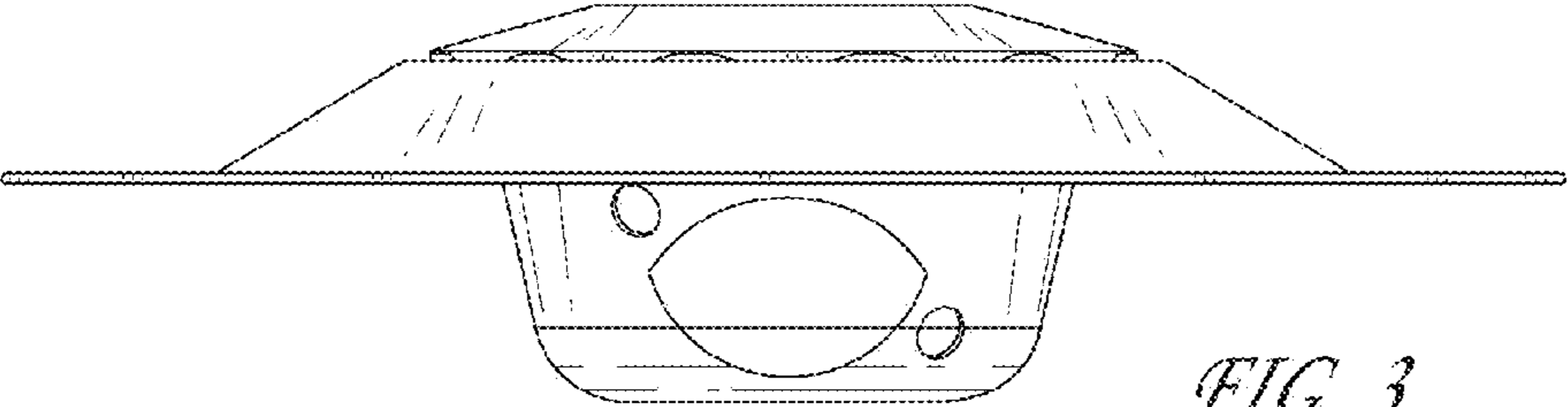


FIG. 3

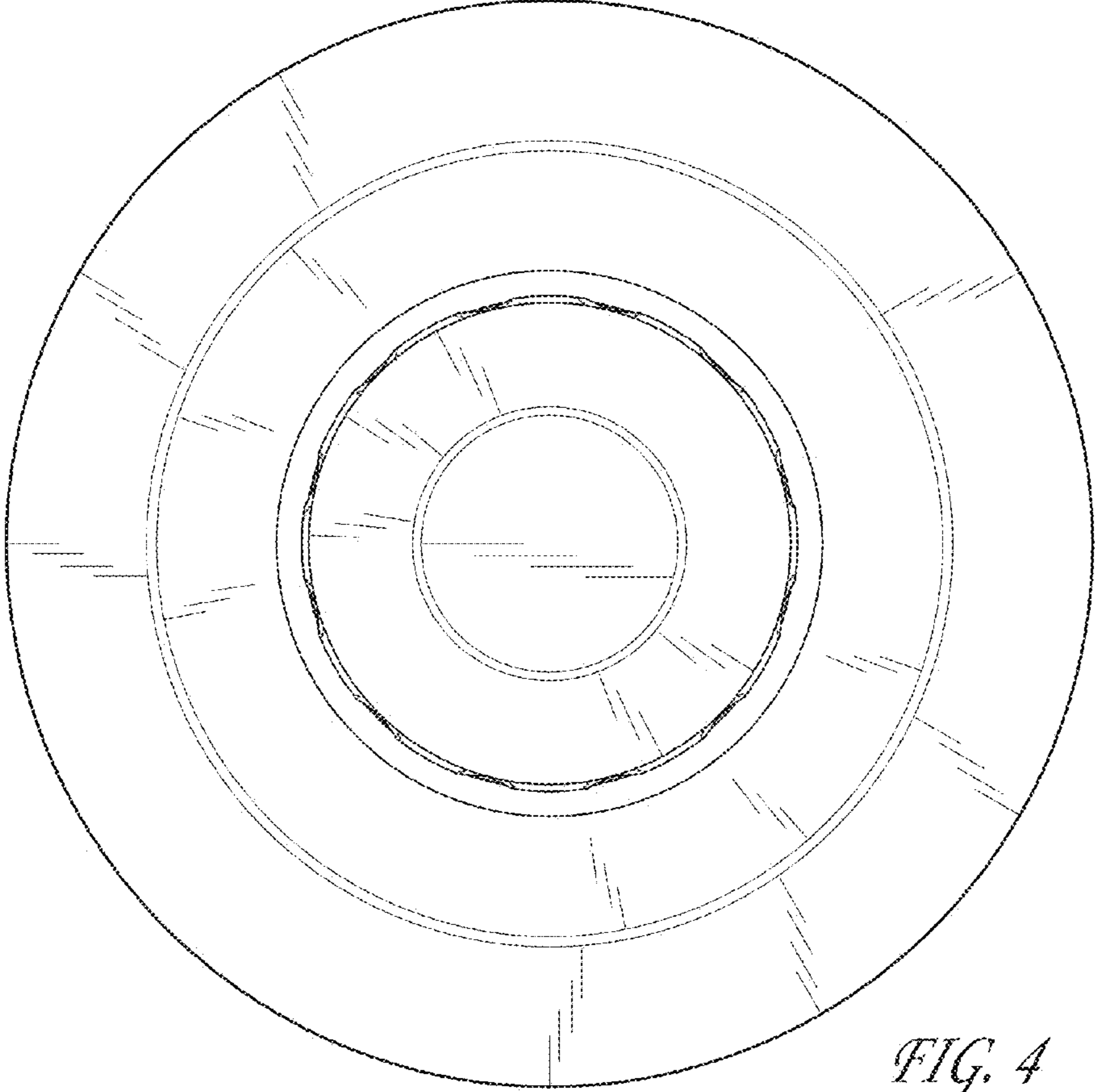


FIG. 4