



US00D687670S

(12) **United States Design Patent**
Bach

(10) **Patent No.:** **US D687,670 S**

(45) **Date of Patent:** **** Aug. 13, 2013**

(54) **DESSERT CONTAINER**

(56) **References Cited**

(71) Applicant: **Larry Bach**, Winter Park, FL (US)

U.S. PATENT DOCUMENTS

(72) Inventor: **Larry Bach**, Winter Park, FL (US)

563,652	A *	7/1896	Bulette	83/435.15
4,179,040	A *	12/1979	Bateman et al.	220/796
D268,318	S *	3/1983	Lutzker	D7/669
D335,609	S *	5/1993	Cesaroni et al.	D7/693
D359,792	S *	6/1995	Chipalla, Jr.	D22/134
D585,709	S *	2/2009	Peterson et al.	D7/693
7,556,167	B2 *	7/2009	Giwargis et al.	220/8
7,779,739	B2 *	8/2010	Peterson et al.	83/858

(**) Term: **14 Years**

(21) Appl. No.: **29/440,117**

* cited by examiner

(22) Filed: **Dec. 19, 2012**

(51) **LOC (9) Cl.** **07-02**

Primary Examiner — Ricky Pham

(52) **U.S. Cl.**

(74) *Attorney, Agent, or Firm* — McKinney Law, PLLC

USPC **D7/354**

(58) **Field of Classification Search**

(57) **CLAIM**

The ornamental design for a dessert container, as shown and described.

USPC D7/301–313, 316–323, 354–364,
D7/368, 372–386, 391–398, 412–415, 503,
D7/515, 665, 679, 691–693, 669; D22/134;
83/435.15, 858;
99/326, 348, 492–495, 508–512; 220/8,
220/796; 241/30–37.5, 91, 101.01–101.2,
241/166–169.1, 172, 272, 285.1–285.3, 291,
241/292.1; 366/64–67, 98, 129, 142–144,
366/192–211, 241–254, 262, 279–292, 325.8,
366/325.92, 341–347; 416/75–77, 70 R,
416/163

DESCRIPTION

FIG. 1 is a front view of a dessert container showing my new design.

FIG. 2 is a rear view of the dessert container;

FIG. 3 is a left side view of the dessert container, the right side being a mirror image;

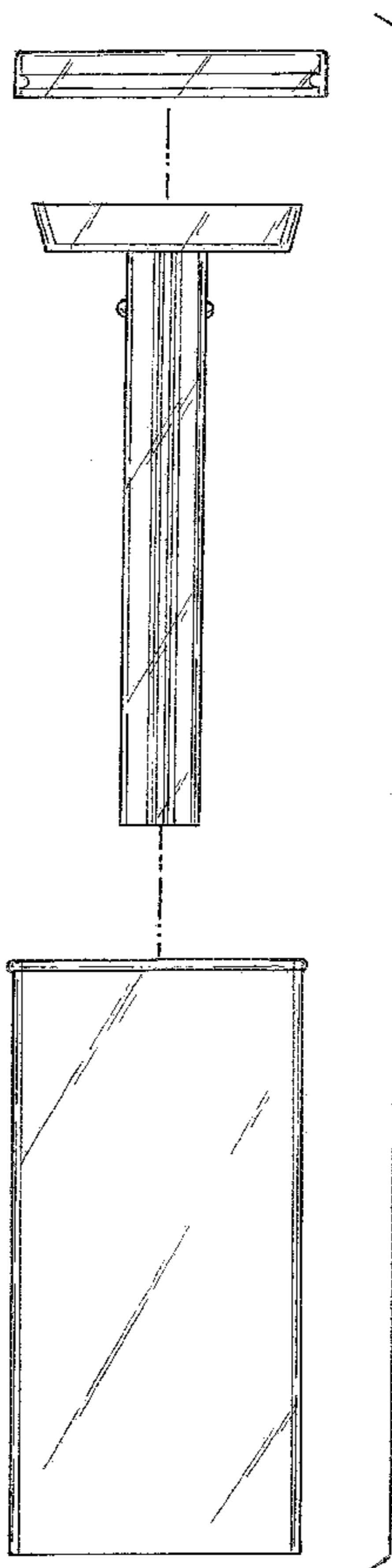
FIG. 4 is an exploded view of the dessert container;

FIG. 5 is a top view of the dessert container; and,

FIG. 6 is a bottom view of the dessert container.

See application file for complete search history.

1 Claim, 3 Drawing Sheets



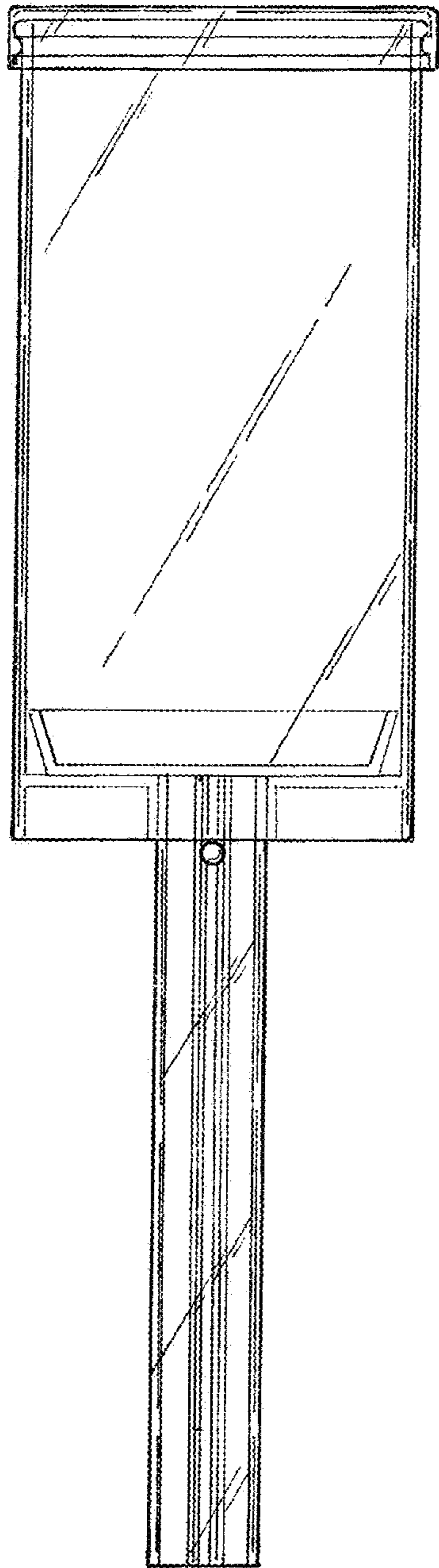


FIG. 1

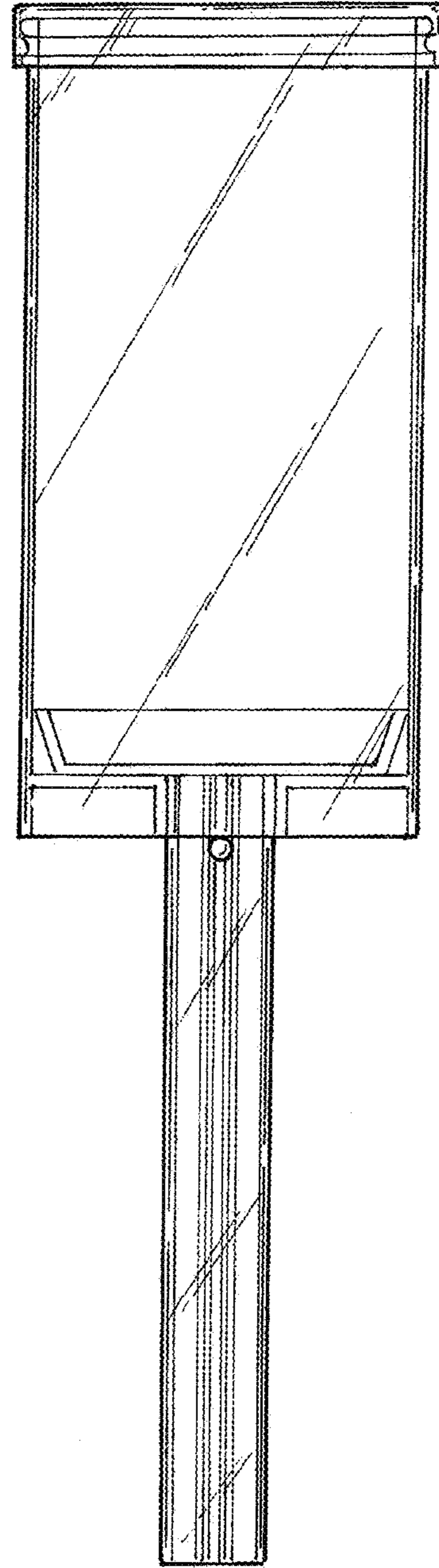


FIG. 2

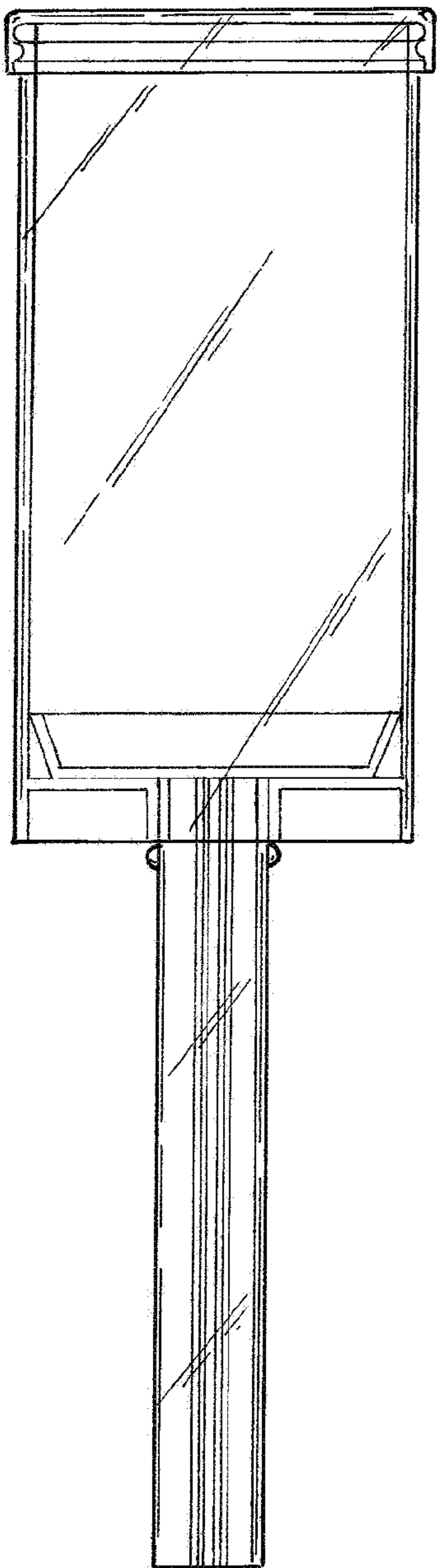


FIG. 3

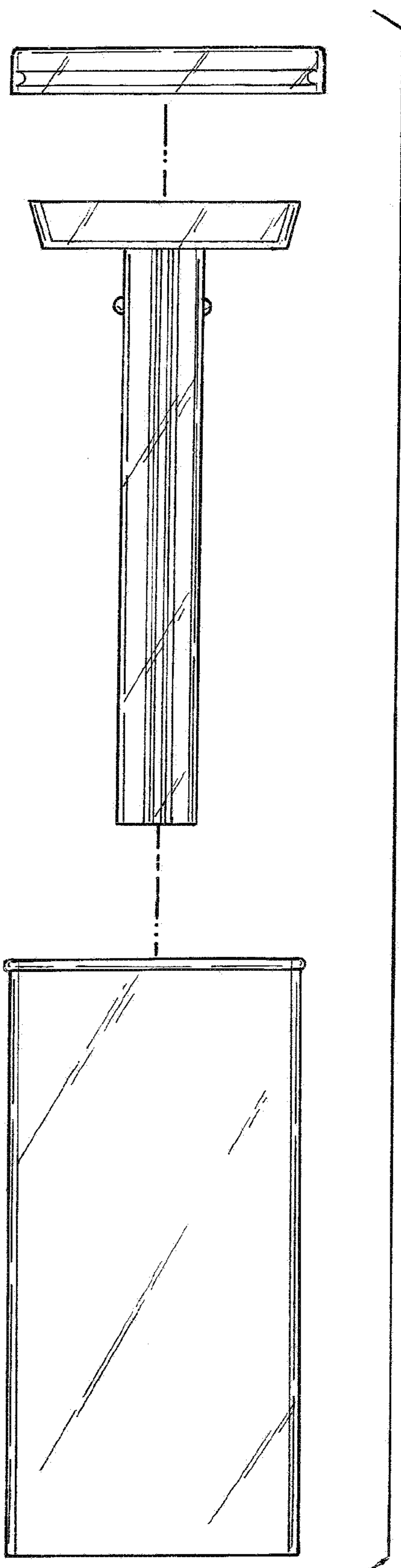


FIG. 4

FIG. 5

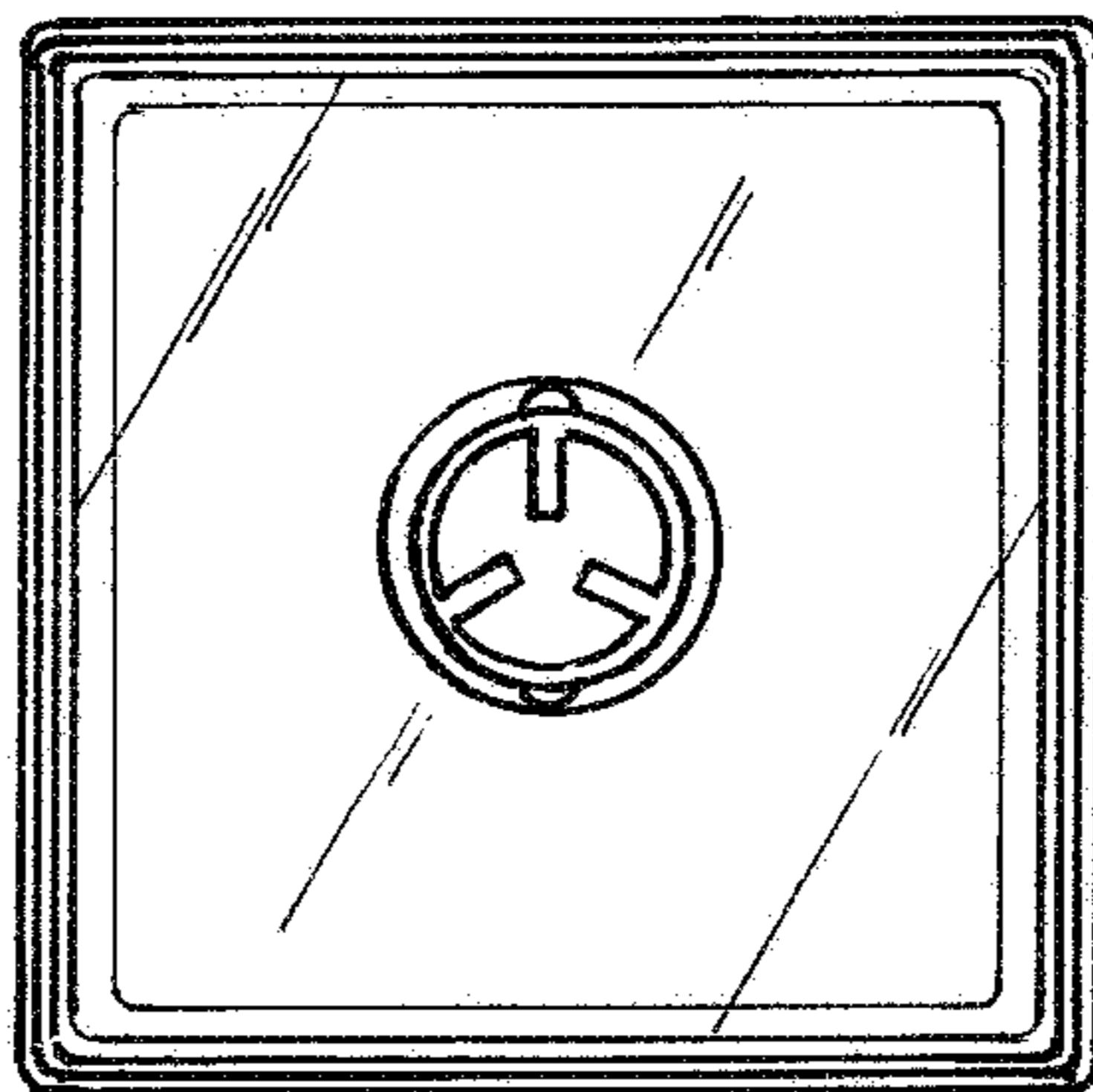
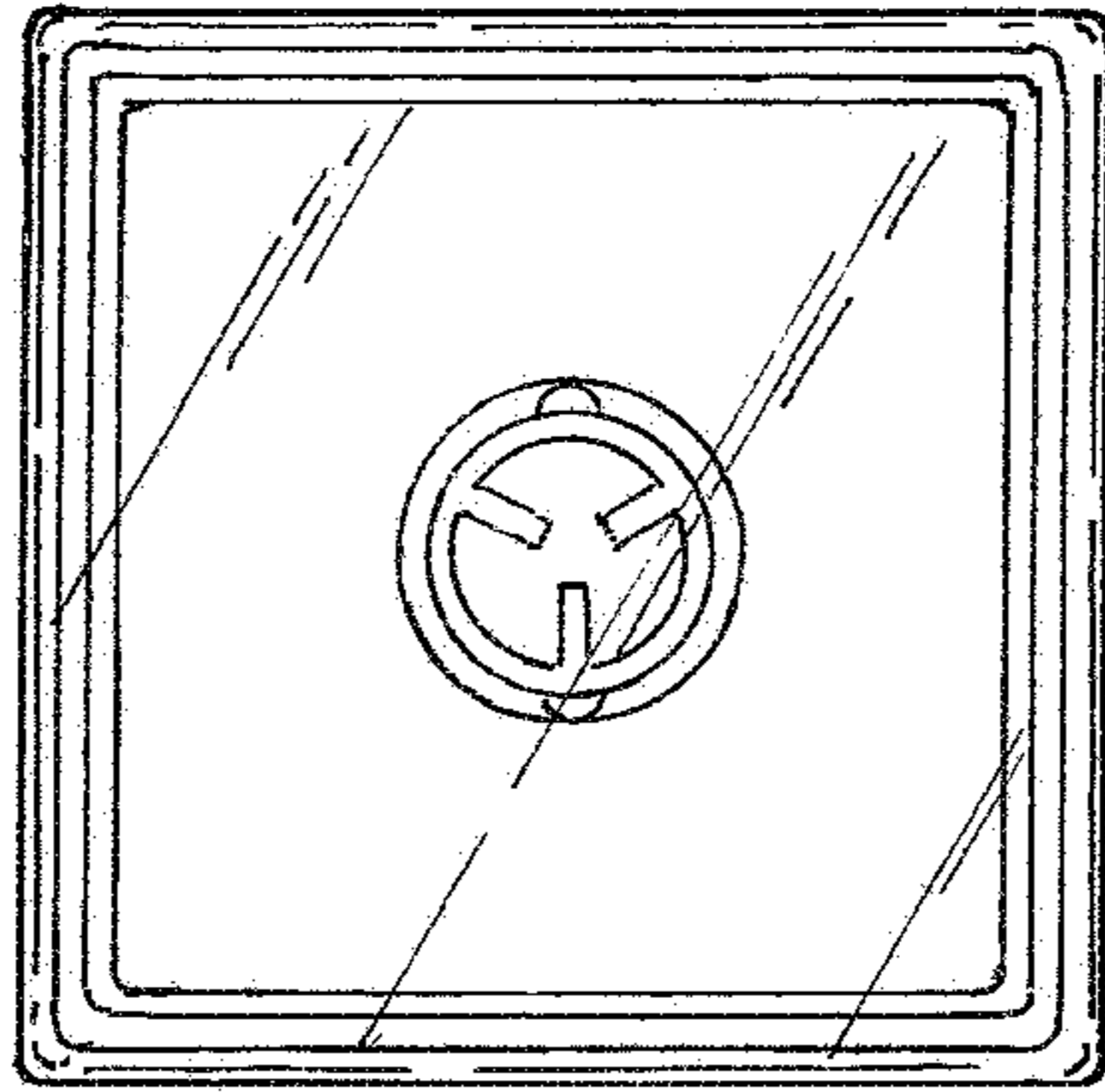


FIG. 6