



US00D687667S

(12) **United States Design Patent**  
**Chien et al.**

(10) **Patent No.:** **US D687,667 S**

(45) **Date of Patent:** **\*\* Aug. 13, 2013**

(54) **OVEN**

(75) Inventors: **Hsien Chih Chien**, Huizhou (CN); **Chih Jen Lin**, Huizhou (CN)

(73) Assignee: **Huizhou Sun Moon Metal & Wooden Product Co., Ltd** (CN)

(\*\*) Term: **14 Years**

(21) Appl. No.: **29/402,550**

(22) Filed: **Sep. 23, 2011**

(51) **LOC (9) Cl.** ..... **15-05**

(52) **U.S. Cl.**  
USPC ..... **D7/334**

(58) **Field of Classification Search**  
USPC ..... D7/332, 334, 337, 402-406, 409;  
126/27, 44, 25 R, 41 R, 9 R, 40, 50, 38, 39 H,  
126/39 N, 39 K, 39 M, 39 R, 39 J, 39 G,  
126/39 E, 285 R, 287, 290, 80, 243; 99/425,  
99/444-44, 450, 481, 482, 340; 431/247,  
431/207, 264

See application file for complete search history.

(56) **References Cited**

**U.S. PATENT DOCUMENTS**

D460,658 S *	7/2002	Wu	.....	D7/334
D463,709 S *	10/2002	Bossler	.....	D7/334
D472,757 S *	4/2003	Schulte et al.	.....	D7/334
D480,906 S *	10/2003	Pai	.....	D7/334
D485,116 S *	1/2004	Kwok	.....	D7/334

D614,435 S *	4/2010	Lin	.....	D7/334
D618,486 S *	6/2010	Bruno et al.	.....	D7/334
D621,212 S *	8/2010	Bruno et al.	.....	D7/402
D636,328 S *	4/2011	Woidtke et al.	.....	D12/531
8,074,635 B2 *	12/2011	Bruno et al.	.....	126/50

\* cited by examiner

*Primary Examiner* — Ruth McInroy

(74) *Attorney, Agent, or Firm* — Garcia-Zamor IP Law; Ruy M. Garcia-Zamor

(57) **CLAIM**

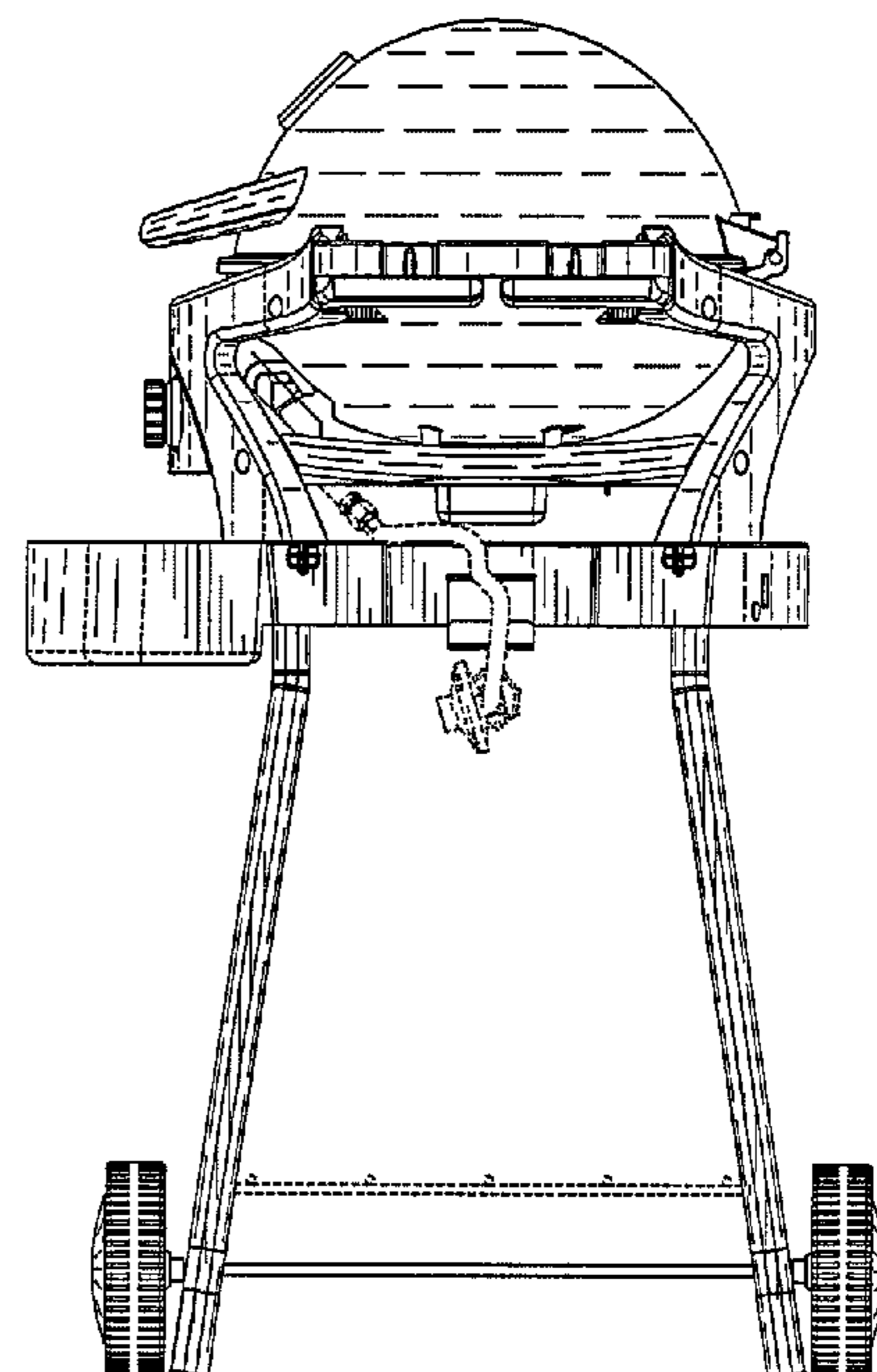
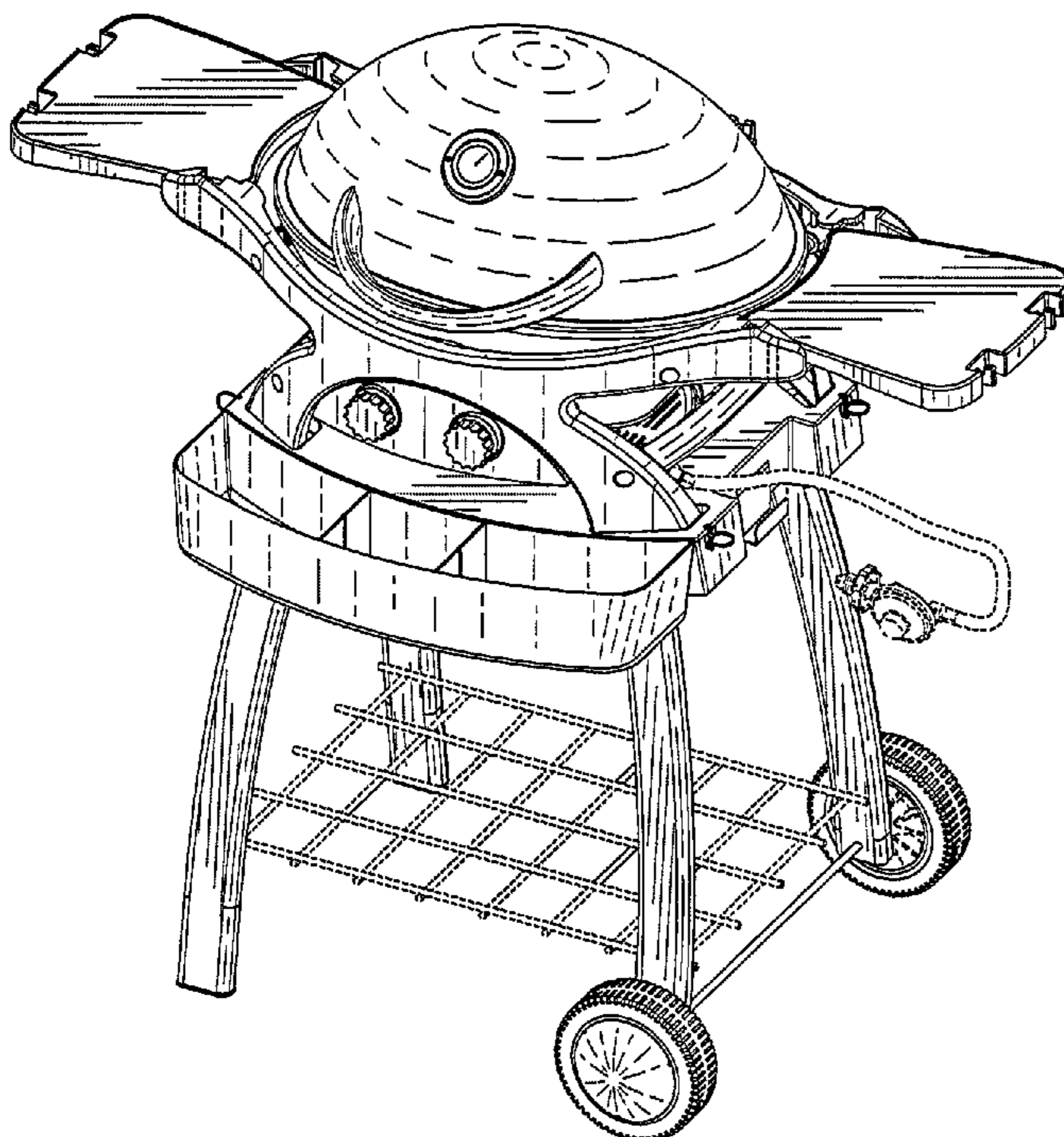
We claim the ornamental design for an oven, as shown and described.

**DESCRIPTION**

FIG. 1 is a perspective view of an oven showing our new design;  
FIG. 2 is a front elevational view of the oven of FIG. 1;  
FIG. 3 is a rear elevational view of the oven of FIG. 1;  
FIG. 4 is a left side elevational view of the oven of FIG. 1;  
FIG. 5 is a right side elevational view of the oven of FIG. 1;  
FIG. 6 is a top plan view of the oven of FIG. 1; and,  
FIG. 7 is a perspective view of the oven in FIG. 1 showing the shelves in a folded position.

The broken lines in FIGS. 1-7 represent environment and are for illustrative purposes only and do not constitute part of the claimed design.

**1 Claim, 7 Drawing Sheets**



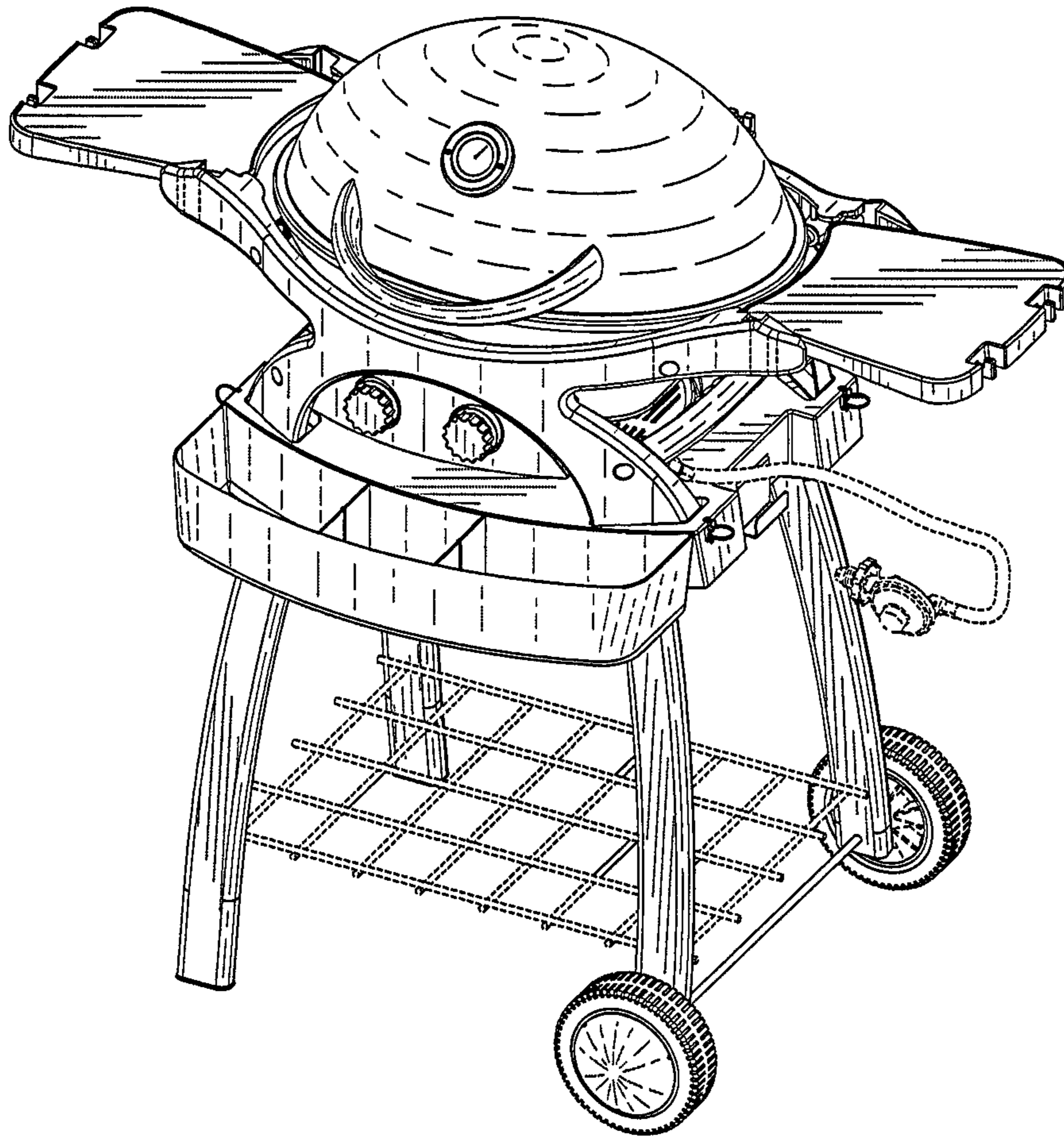


Fig. 1

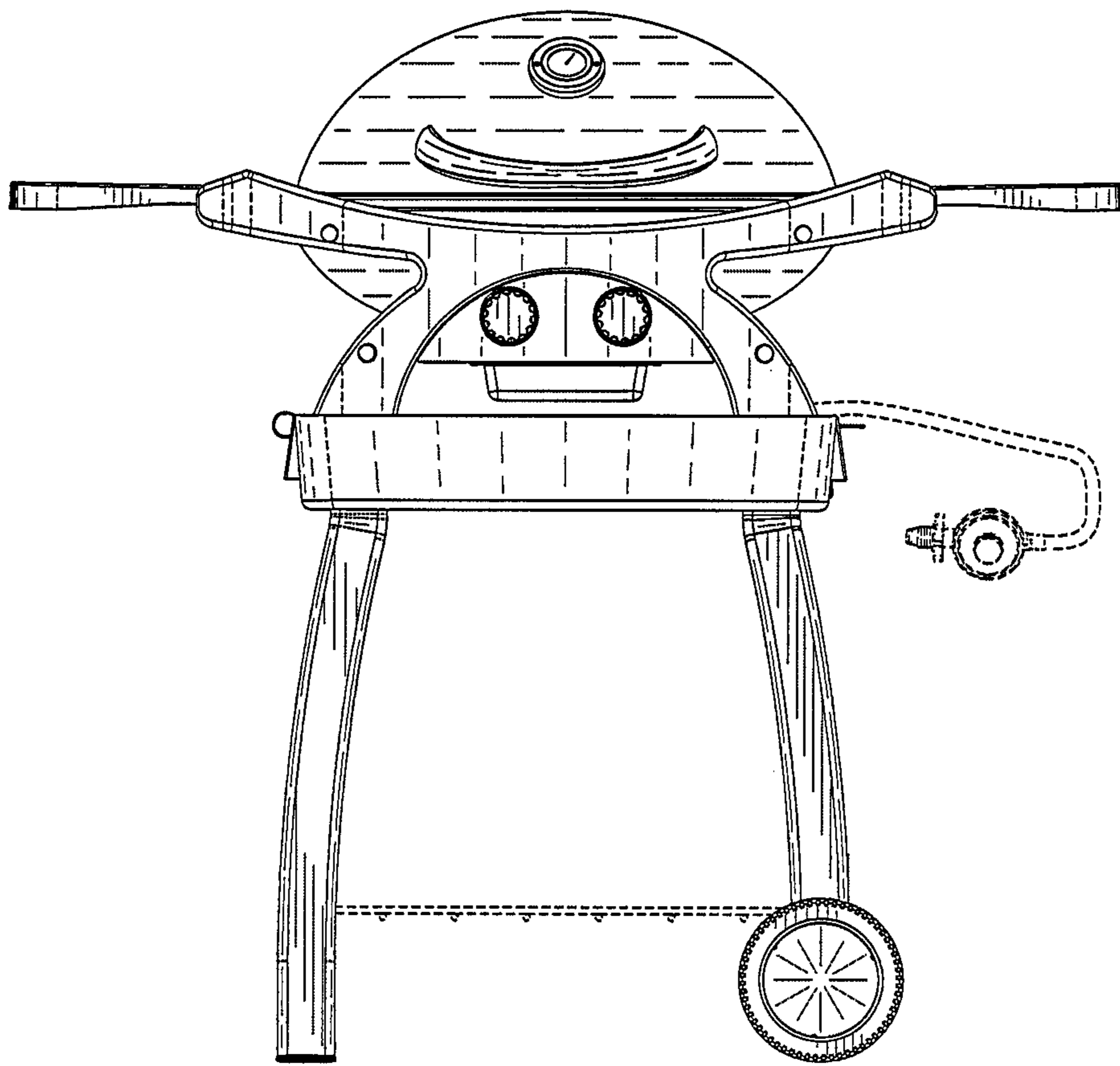


Fig. 2

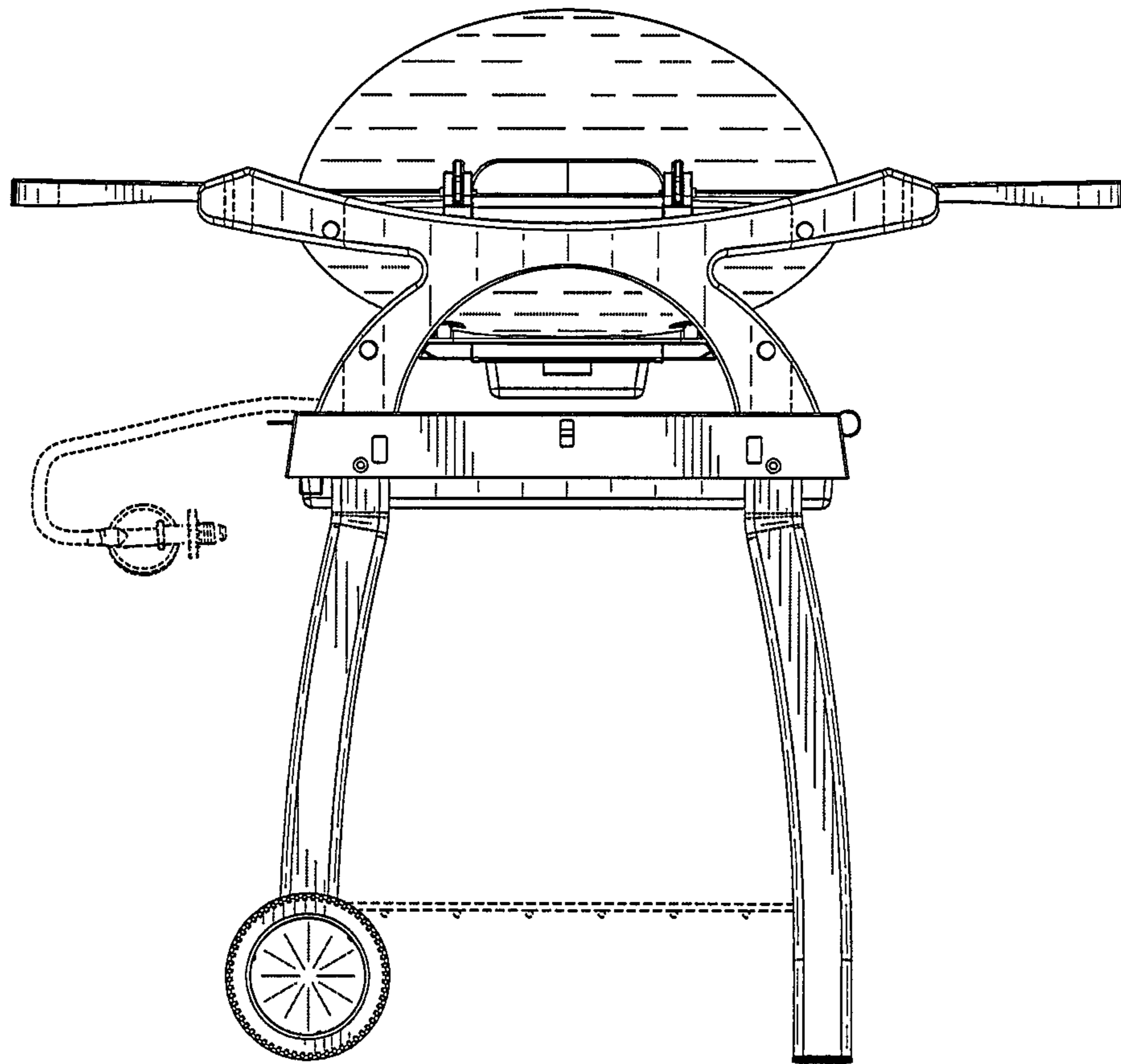


Fig. 3

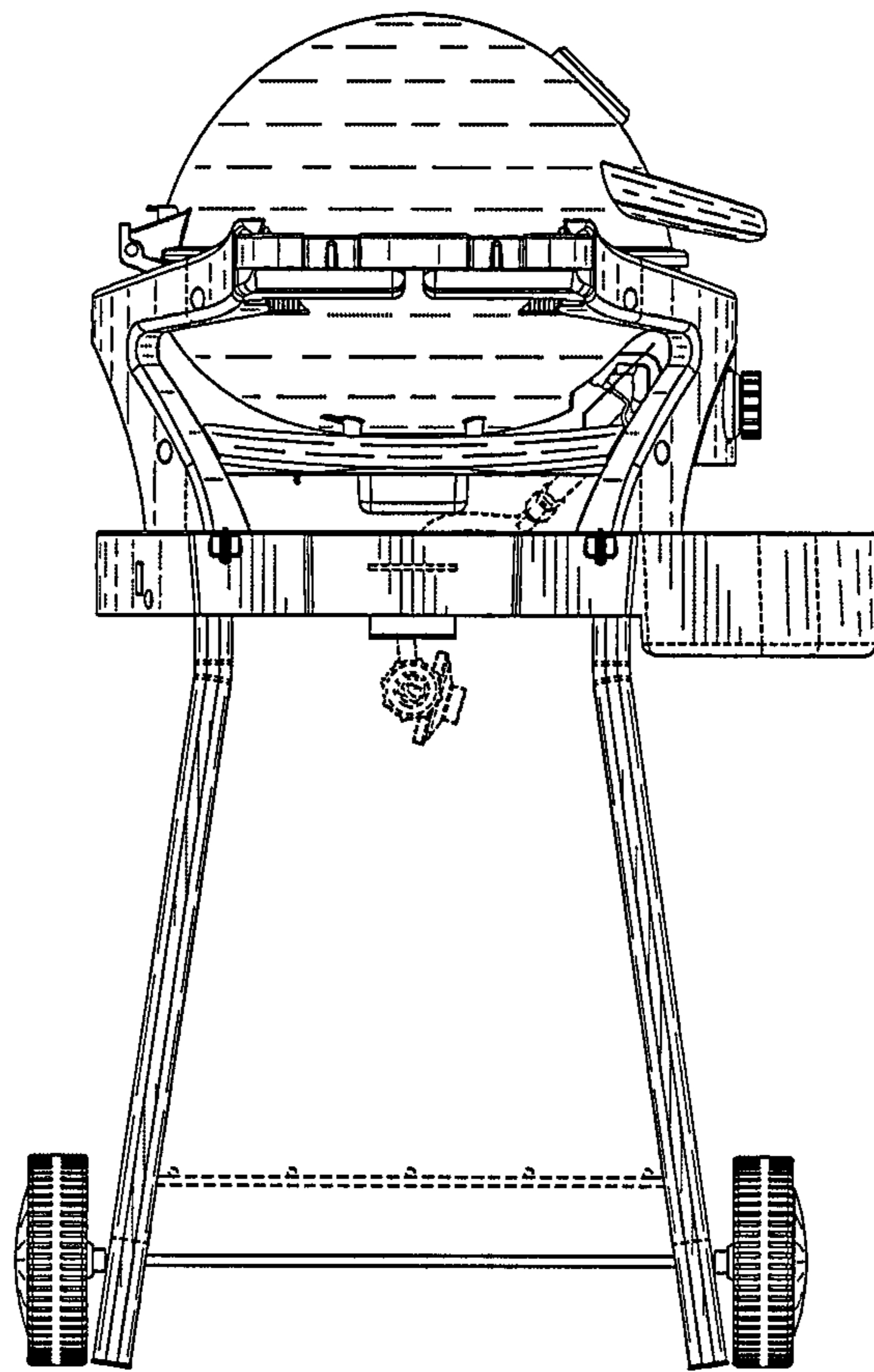


Fig. 4

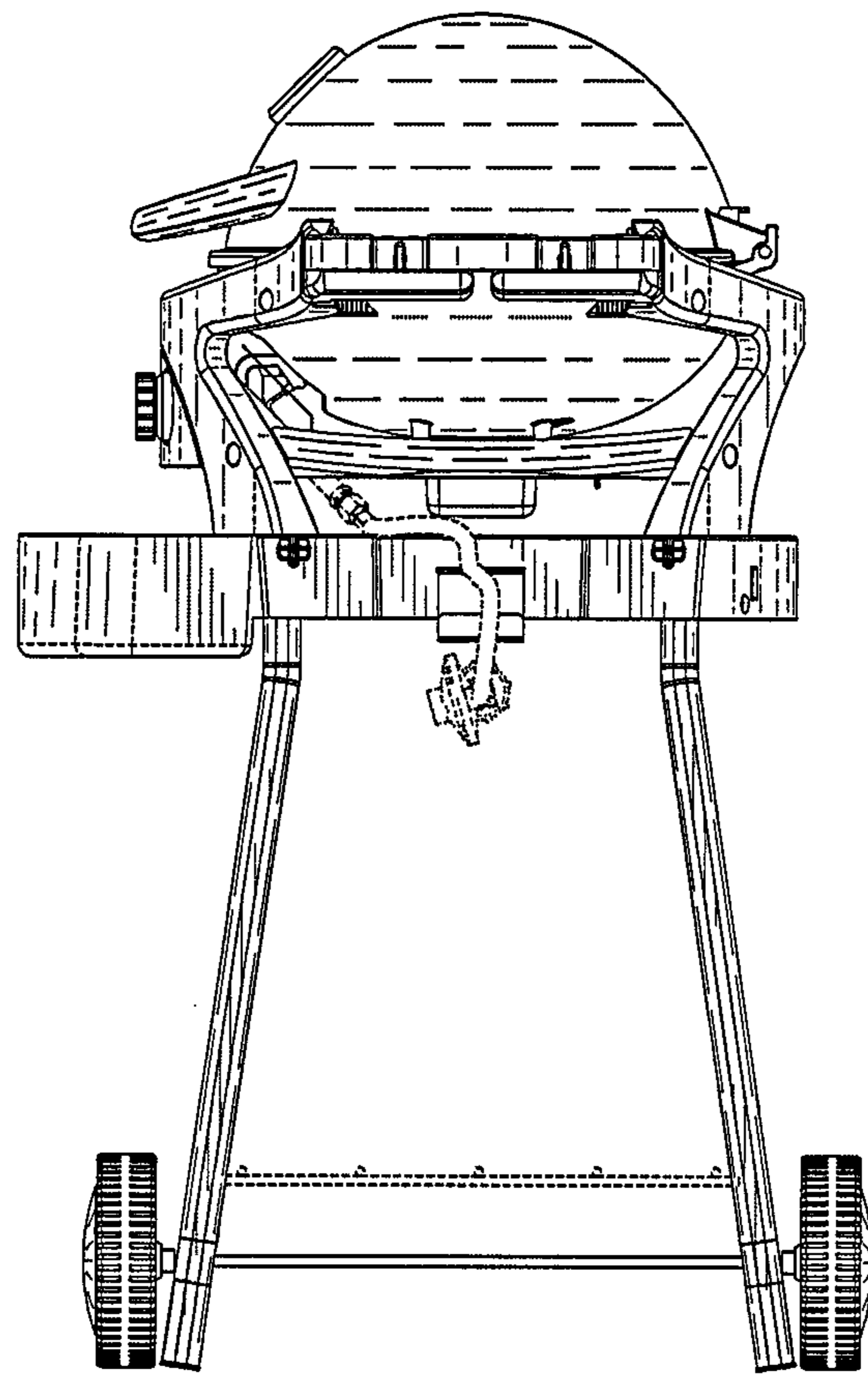


Fig. 5

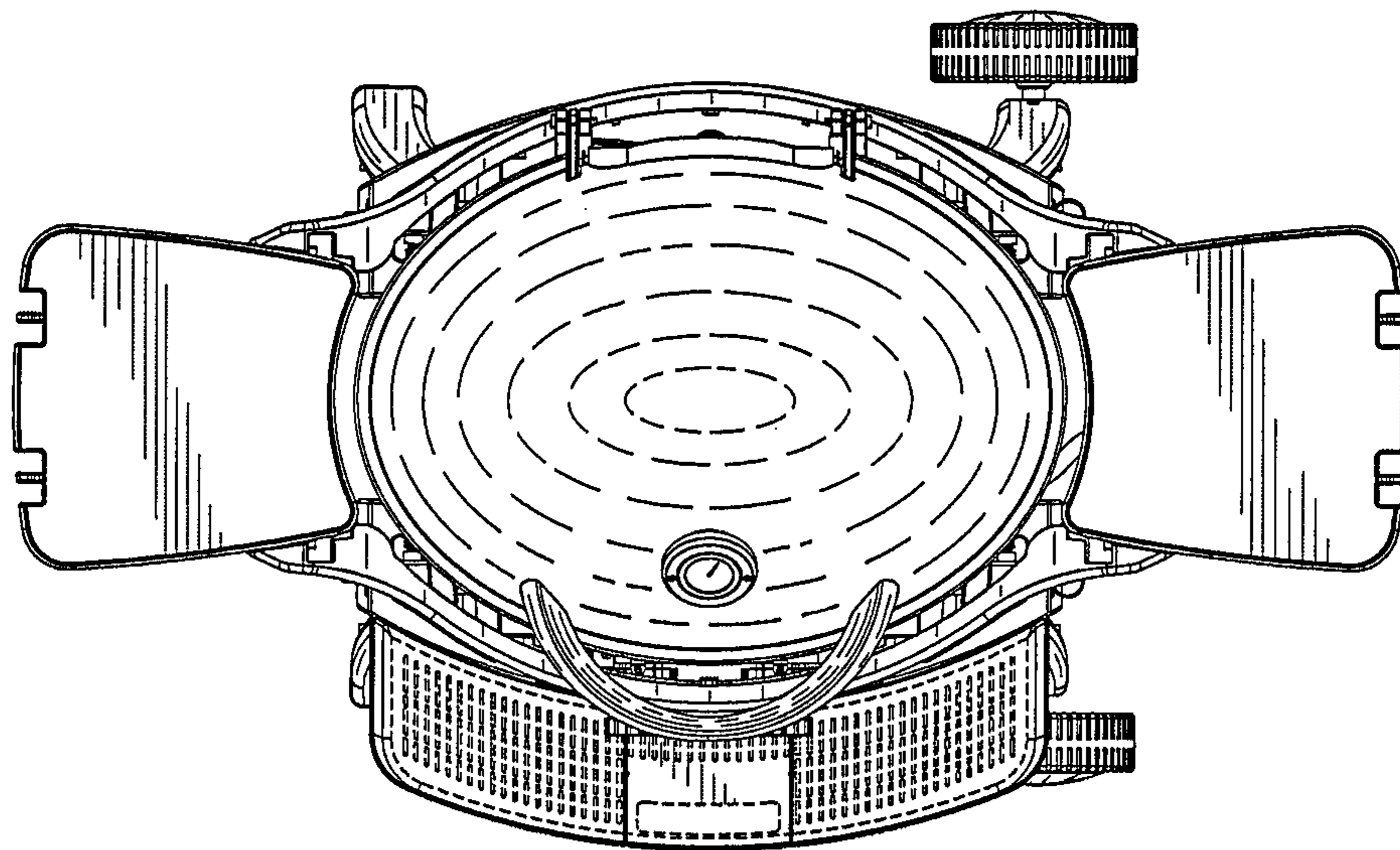


Fig. 6

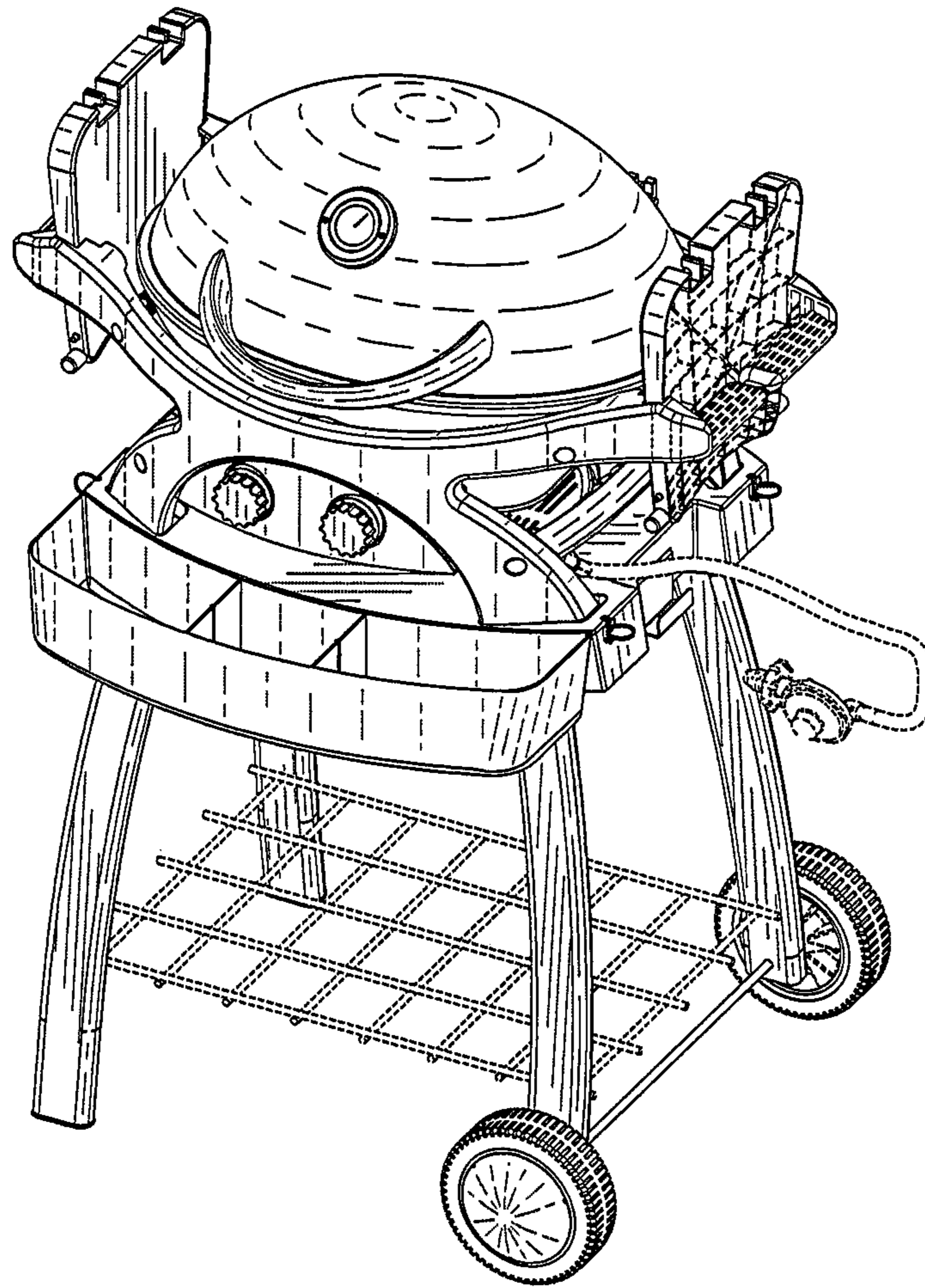


Fig. 7