



US00D687666S

(12) **United States Design Patent**
Mercier

(10) **Patent No.:** **US D687,666 S**

(45) **Date of Patent:** **** Aug. 13, 2013**

(54) **POPCORN MAKER**

(71) Applicant: **Pierre Mercier**, Laval (CA)

(72) Inventor: **Pierre Mercier**, Laval (CA)

(**) Term: **14 Years**

(21) Appl. No.: **29/440,784**

(22) Filed: **Dec. 27, 2012**

(51) **LOC (9) Cl.** **31-00**

(52) **U.S. Cl.**
USPC **D7/325**

(58) **Field of Classification Search**
USPC D7/323–331, 337, 339, 346–347,
D7/350.1–350.4, 352–367, 387; D20/1;
D21/370, 701, 811; D34/14; 99/323.4–323.9,
99/442–446; 426/101–107, 241–243

See application file for complete search history.

(56) **References Cited**

U.S. PATENT DOCUMENTS

D80,489 S *	2/1930	Meyer	D21/811
D95,156 S *	4/1935	Soellner	D21/811
D163,497 S *	5/1951	Waas	D7/325
D177,456 S *	4/1956	Altemiller	D7/325
D279,069 S *	6/1985	Goodlaxson	D7/325
5,419,238 A *	5/1995	Pinone	99/323.6
D366,304 S *	1/1996	Lewis	D21/811
5,630,357 A *	5/1997	Akiyama	99/323.6
D386,231 S *	11/1997	Wei	D21/811
D388,466 S *	12/1997	Yurchak	D20/1
D389,891 S *	1/1998	Kawasaki	D21/811
D421,284 S *	2/2000	Huang	D21/811

D460,846 S *	7/2002	Helman et al.	D34/14
D484,551 S *	12/2003	Seelig et al.	D21/370
D528,346 S *	9/2006	Brekke	D7/325
D551,016 S *	9/2007	Bond	D7/325
D552,405 S *	10/2007	Bond	D7/325
D628,428 S *	12/2010	Bond	D7/325
D628,847 S *	12/2010	Liu	D7/325
D632,123 S *	2/2011	Kauer	D7/325
D633,748 S *	3/2011	Haskin	D7/325
D645,292 S *	9/2011	Bond	D7/325
D650,627 S *	12/2011	Kauer	D7/325
D653,498 S *	2/2012	Bond	D7/387
D663,992 S *	7/2012	Kauer	D7/325
D677,969 S *	3/2013	Bond et al.	D7/325

* cited by examiner

Primary Examiner — Ricky Pham

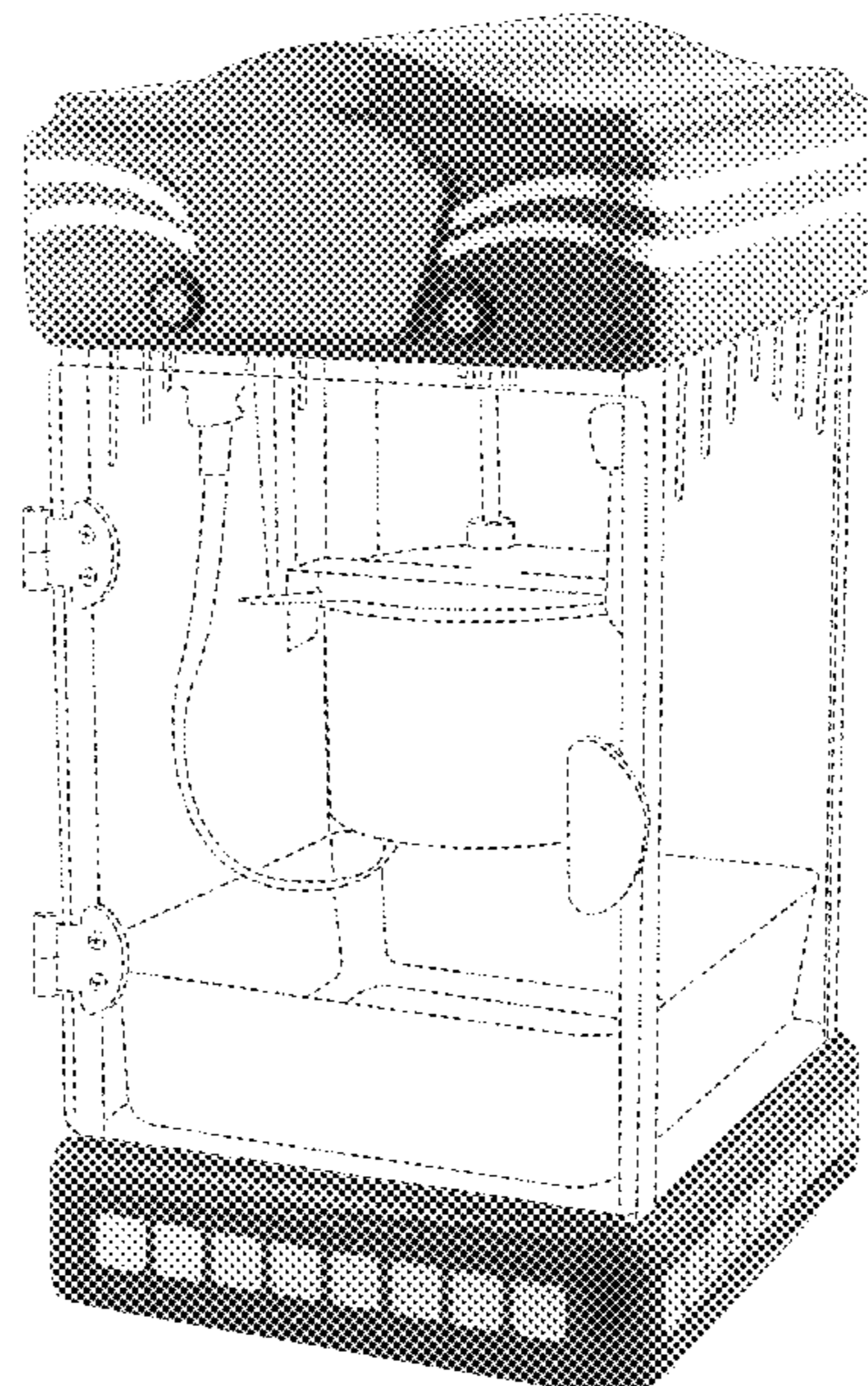
(57) **CLAIM**

The ornamental design for the “popcorn maker,” as shown and described.

DESCRIPTION

FIG. 1 is a front perspective view of the popcorn maker. FIG. 2 is a rear perspective view of the popcorn maker. FIG. 3 is a left side elevation view of the popcorn maker of FIG. 1. FIG. 4 is a front elevation view of the popcorn maker. FIG. 5 is a right side elevation view of the popcorn maker of FIG. 1. FIG. 6 is a rear elevation view of the popcorn maker; and, FIG. 7 is a top plan view of the popcorn maker. The broken lines shown in the drawings are for illustrative purposes only and form no part of the claimed design.

1 Claim, 7 Drawing Sheets



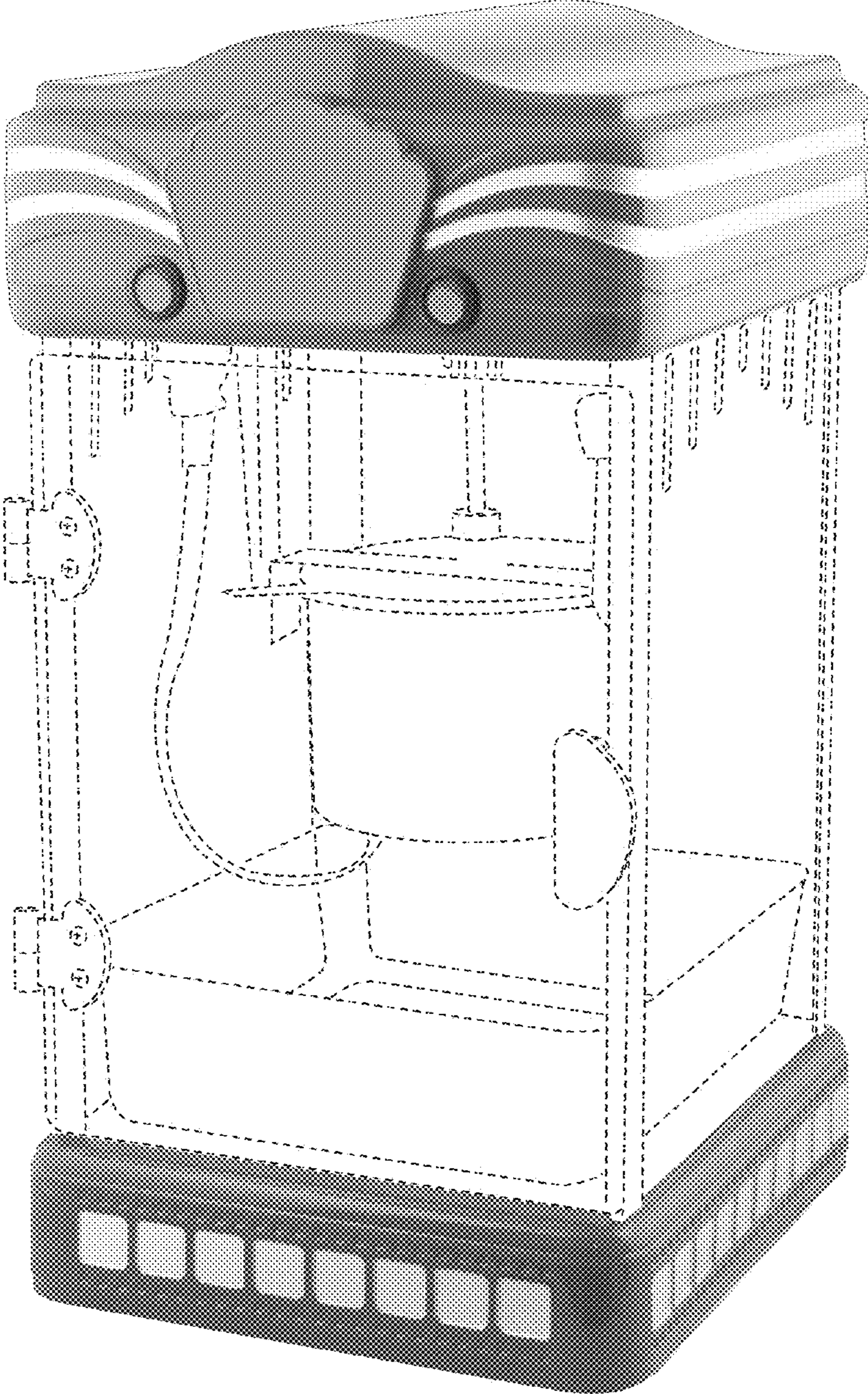


FIG. 1

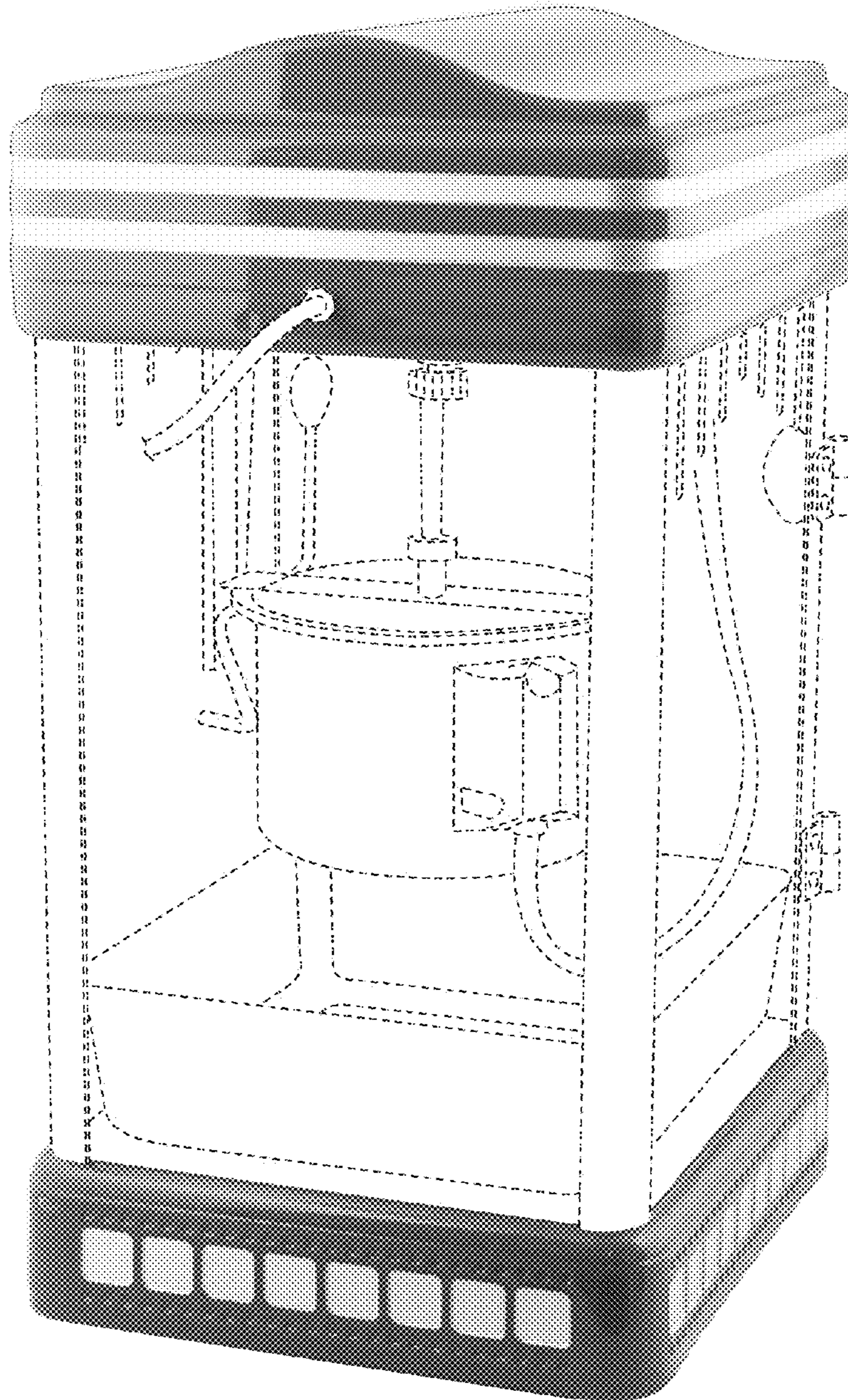


FIG. 2

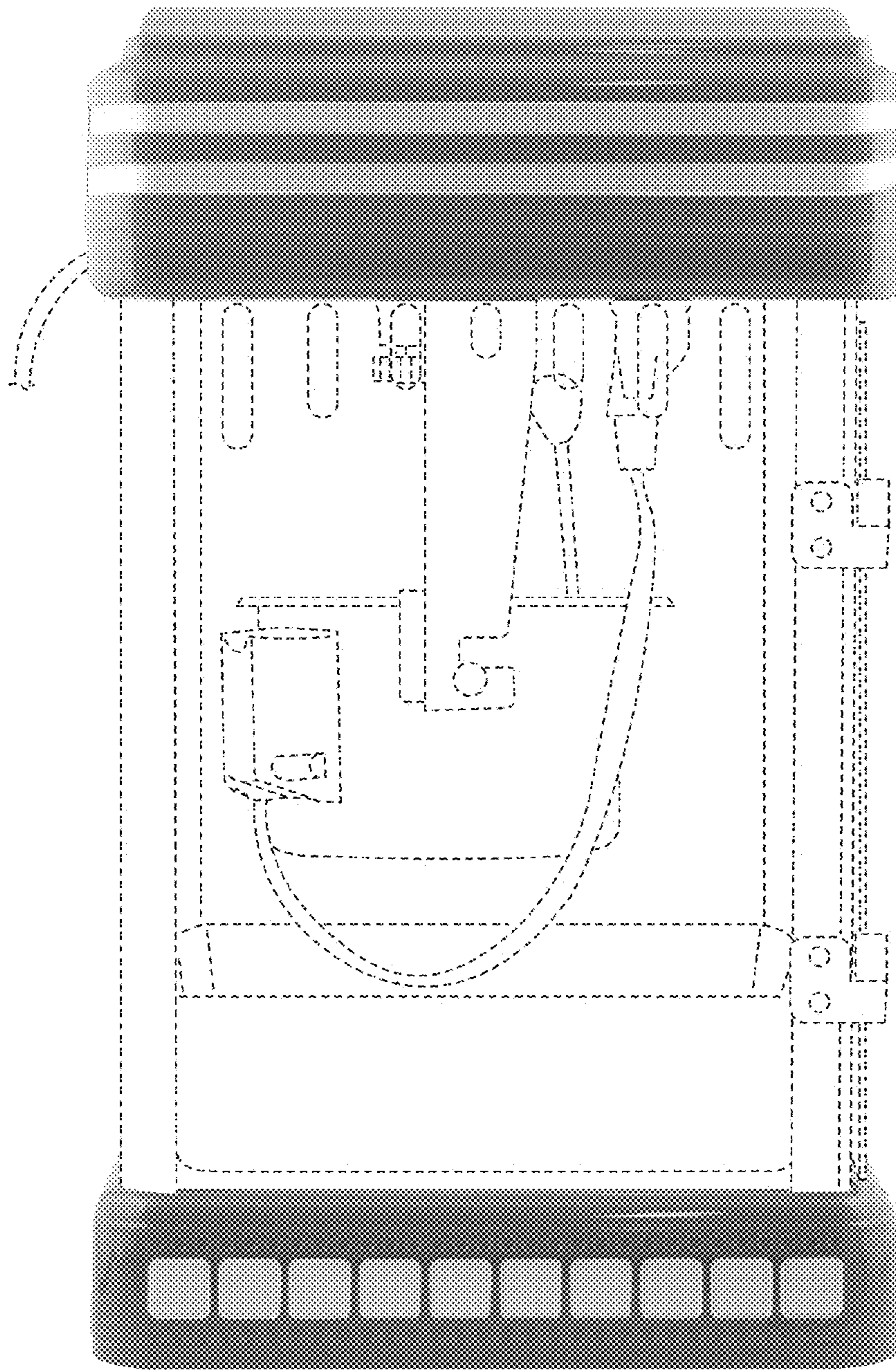


FIG. 3

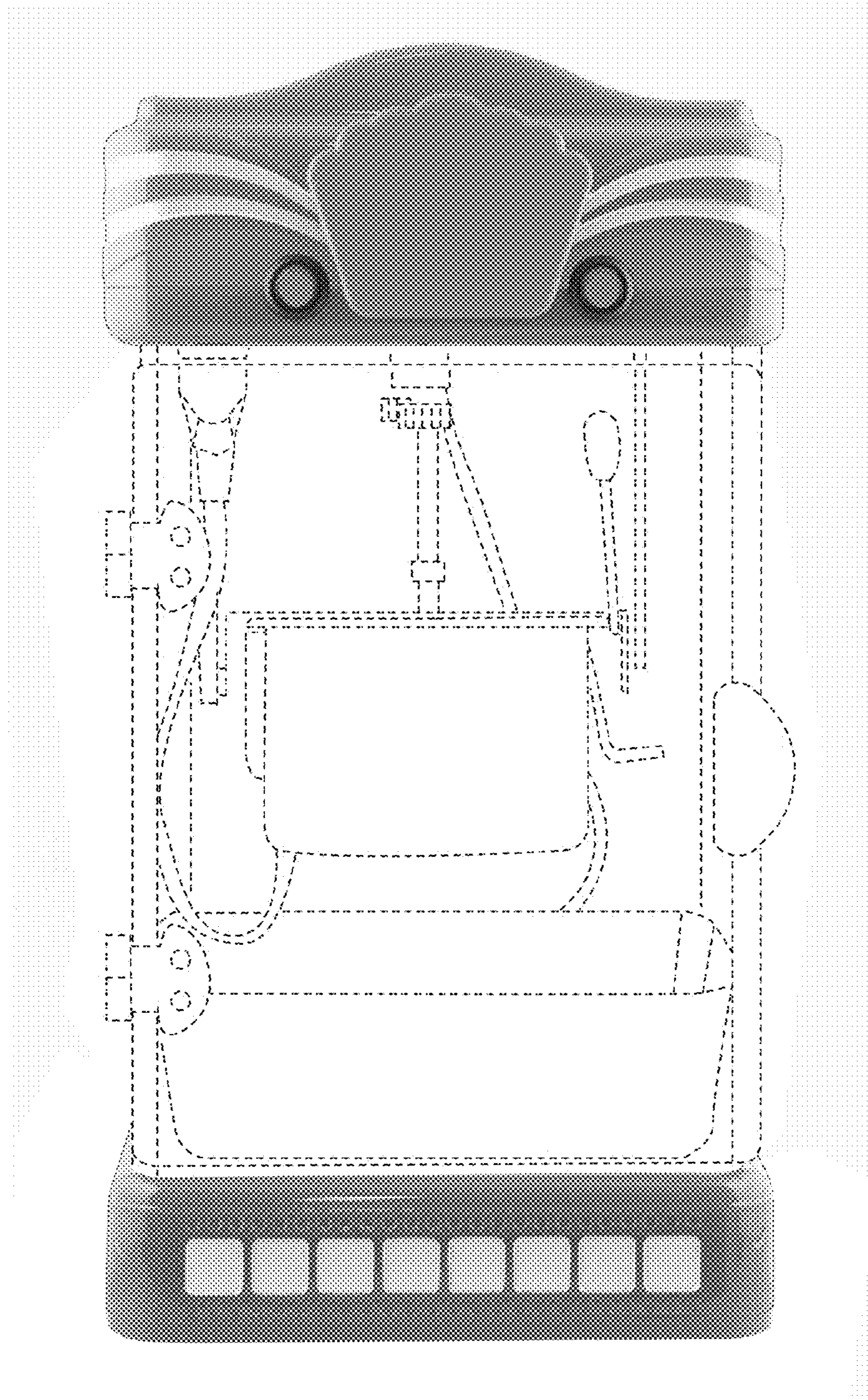


FIG. 4

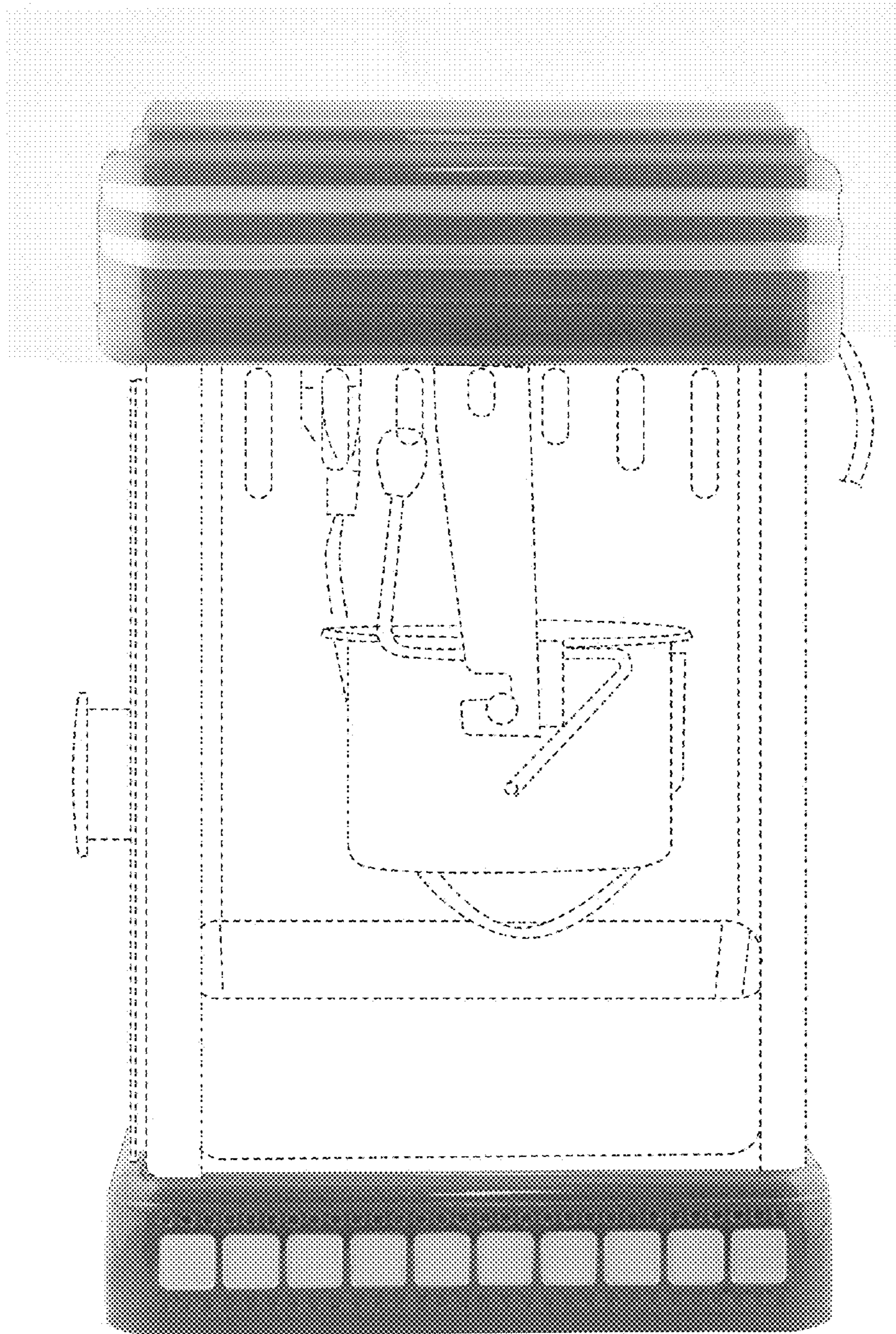


FIG. 5

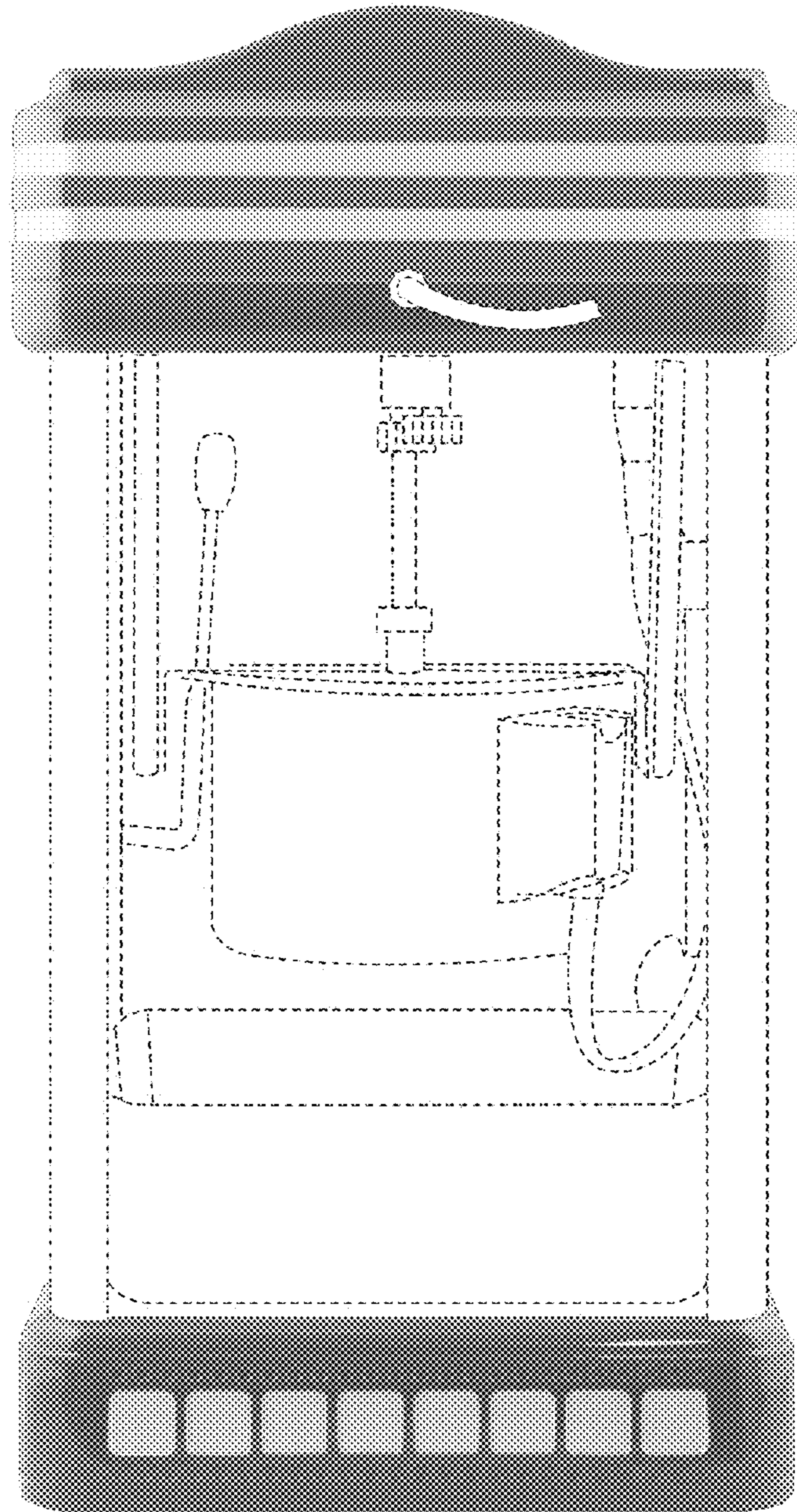


FIG. 6



FIG. 7