



US00D687664S

(12) **United States Design Patent**  
**Beghelli**

(10) **Patent No.:** **US D687,664 S**  
(45) **Date of Patent:** **\*\* Aug. 13, 2013**

(54) **WATER DISPENSER**

- (71) Applicant: **Beghelli S.P.A.**, Monteveglio (IT)
- (72) Inventor: **Gian P. Beghelli**, Monteveglio (IT)
- (73) Assignee: **Beghelli S.p.A.**, Monteveglio (BO) (IT)
- (\*\*) Term: **14 Years**
- (21) Appl. No.: **29/433,243**
- (22) Filed: **Sep. 27, 2012**
- (51) **LOC (9) Cl.** ..... **07-01**
- (52) **U.S. Cl.**  
USPC ..... **D7/306; D7/311**
- (58) **Field of Classification Search**  
USPC ..... D7/313, 306-311, 300; 220/630;  
222/185.1, 131; 99/306, 307, 289 R; D23/209  
See application file for complete search history.

(56) **References Cited**

**U.S. PATENT DOCUMENTS**

D166,527 S	4/1952	Byrd	
D199,037 S	9/1964	Jackson	
D213,796 S	4/1969	Marue	
4,495,404 A	1/1985	Carmichael	
D327,804 S	7/1992	Brown et al.	
5,665,224 A	9/1997	Levene et al.	
D408,206 S *	4/1999	Stafford et al.	D7/306
D428,756 S	8/2000	Miller	
6,649,045 B2	11/2003	Tanner et al.	
D497,278 S *	10/2004	Picozza et al.	D7/309
D506,346 S	6/2005	Matsumoto	
D524,087 S	7/2006	Ali	
D542,077 S	5/2007	Claypool et al.	
D600,492 S *	9/2009	Hammad et al.	D7/309
D637,859 S *	5/2011	Orkney et al.	D7/306
D649,826 S *	12/2011	Garman	D7/306
D666,864 S *	9/2012	Dahlstrom	D7/309
D667,674 S *	9/2012	Wilder et al.	D7/306

**OTHER PUBLICATIONS**

- OHIM Design Registration No. 001962606-0001 filed/registered on Dec. 14, 2011.
- OHIM Design Registration No. 001962606-0002 filed/registered on Dec. 14, 2011.
- Design U.S. Appl. No. 29/433,241, filed Sep. 27, 2012.
- Design U.S. Application No. 29/433,242, filed Sep. 27, 2012.
- Design U.S. Appl. No. 29/424,693, filed Jun. 14, 2012.
- Design U.S. Appl. No. 29/424,691, filed Jun. 14, 2012.
- Design U.S. Appl. No. 29/424,866, filed Jun. 15, 2012.

\* cited by examiner

*Primary Examiner* — Marianne Pandozzi

(74) *Attorney, Agent, or Firm* — Roberts Mlotkowski Safran & Cole P.C.

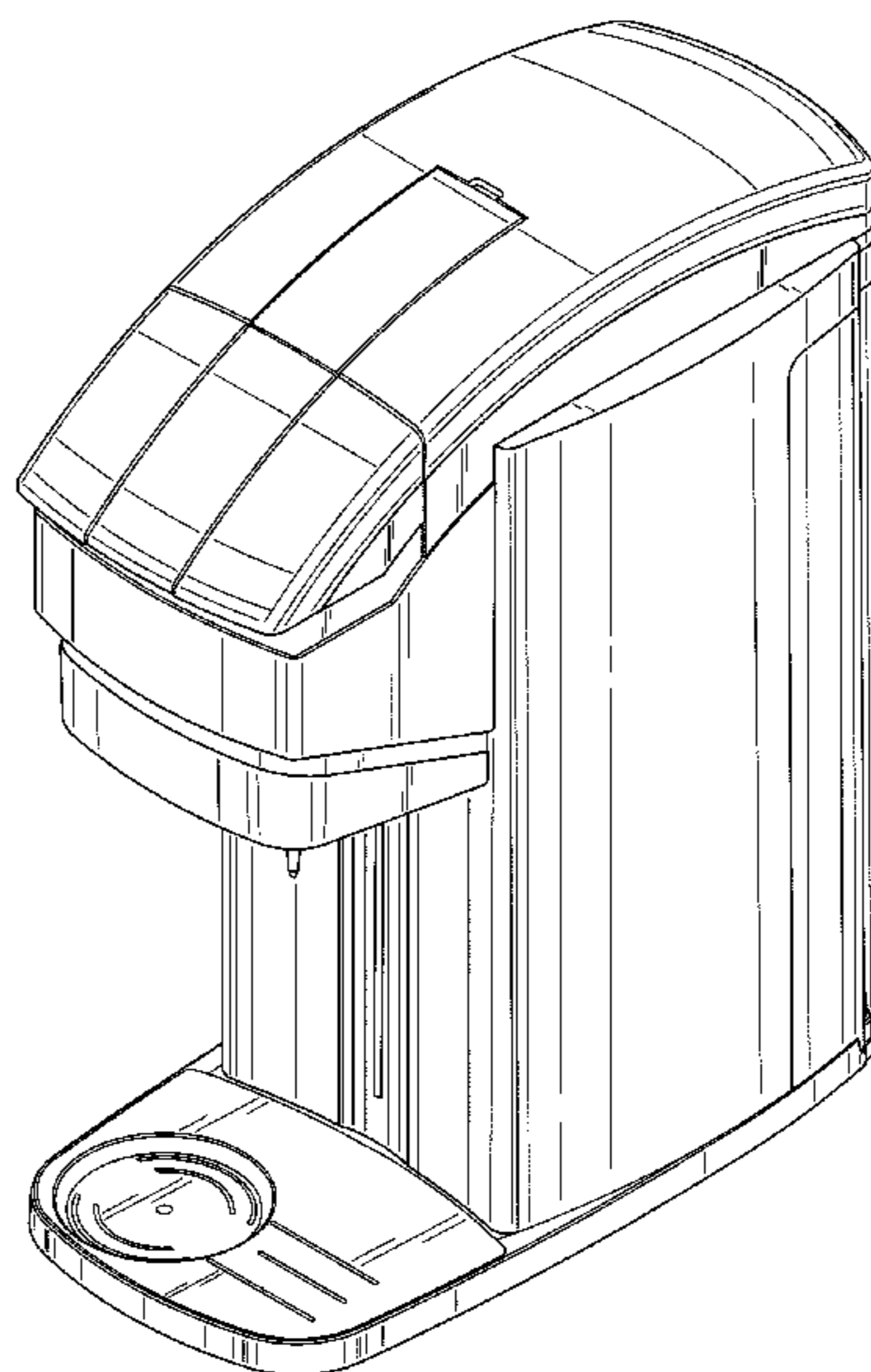
(57) **CLAIM**

The ornamental design for the water dispenser, as shown and described.

**DESCRIPTION**

FIG. 1 is a front perspective view of a water dispenser showing my new design;  
 FIG. 2 is a front view thereof;  
 FIG. 3 is a rear view thereof;  
 FIG. 4 is a left side view thereof;  
 FIG. 5 is a right side view thereof;  
 FIG. 6 is a top plan view thereof; and,  
 FIG. 7 is a bottom plan view thereof.  
 The bottom view is plain and unadorned and not visible in use.  
 The broken lines in all figures are illustrative and form no part of the claimed design.

**1 Claim, 7 Drawing Sheets**



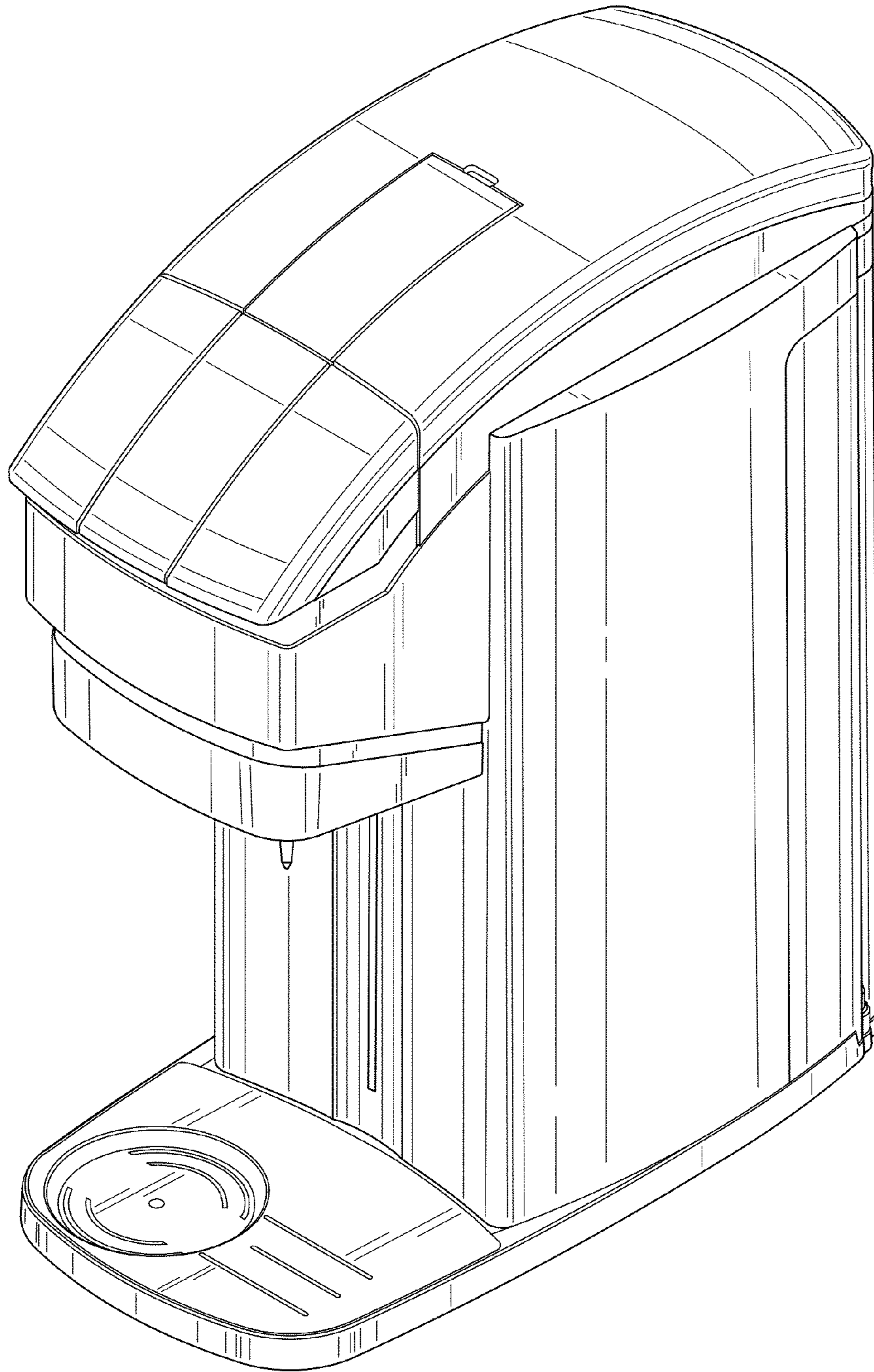


FIG. 1

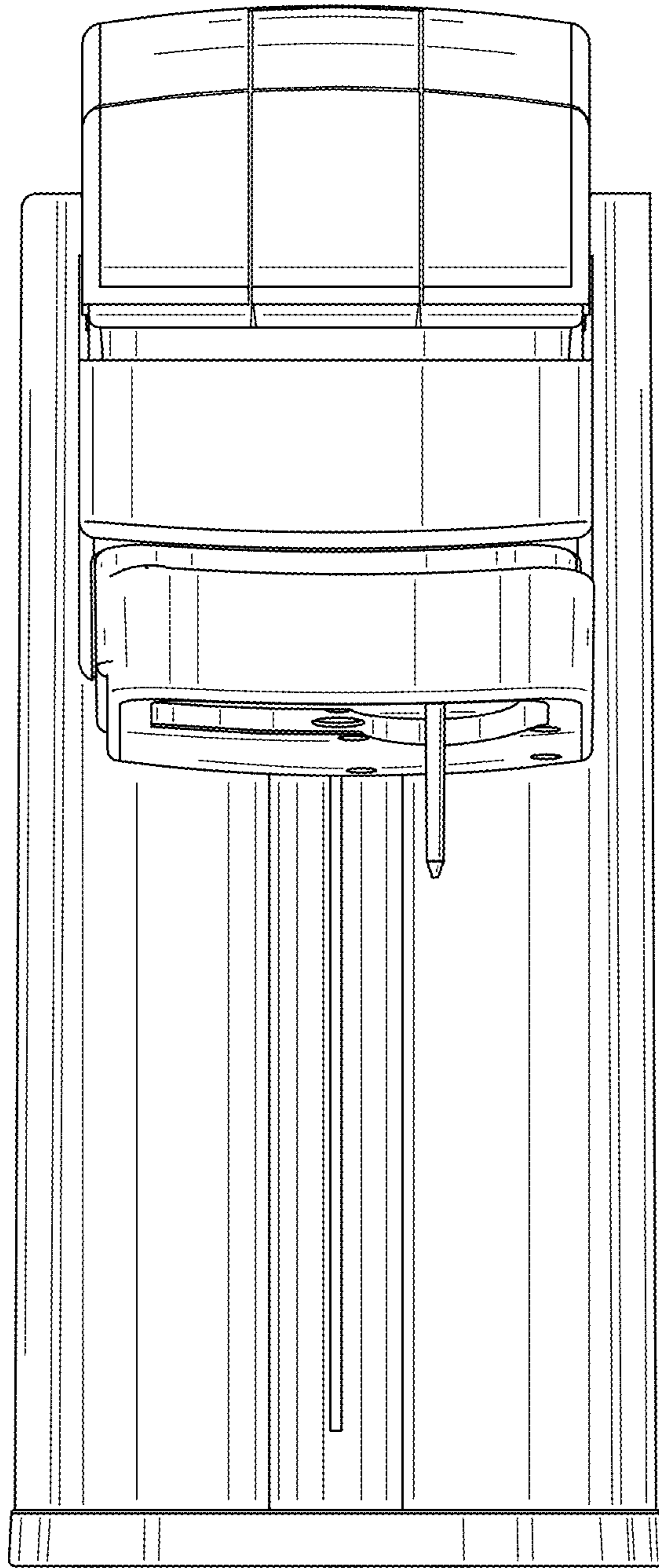


FIG. 2

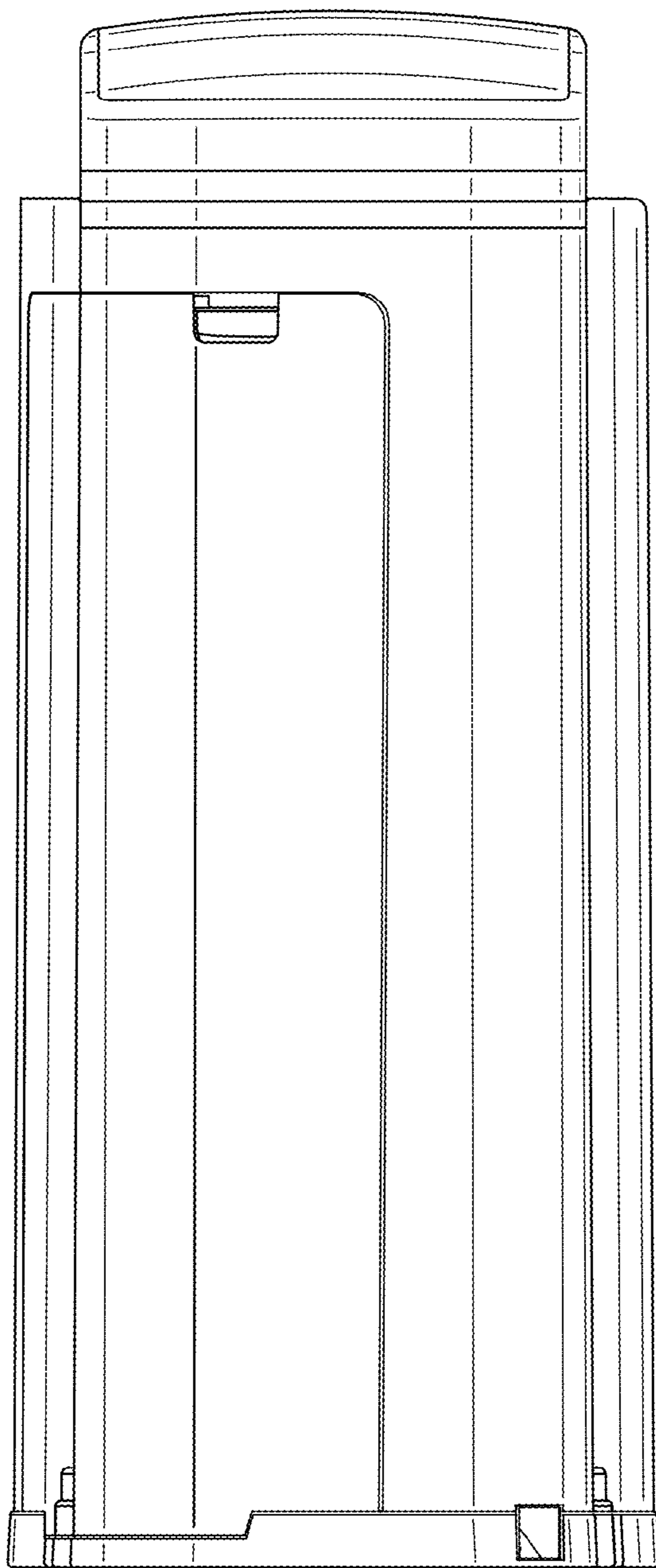


FIG. 3

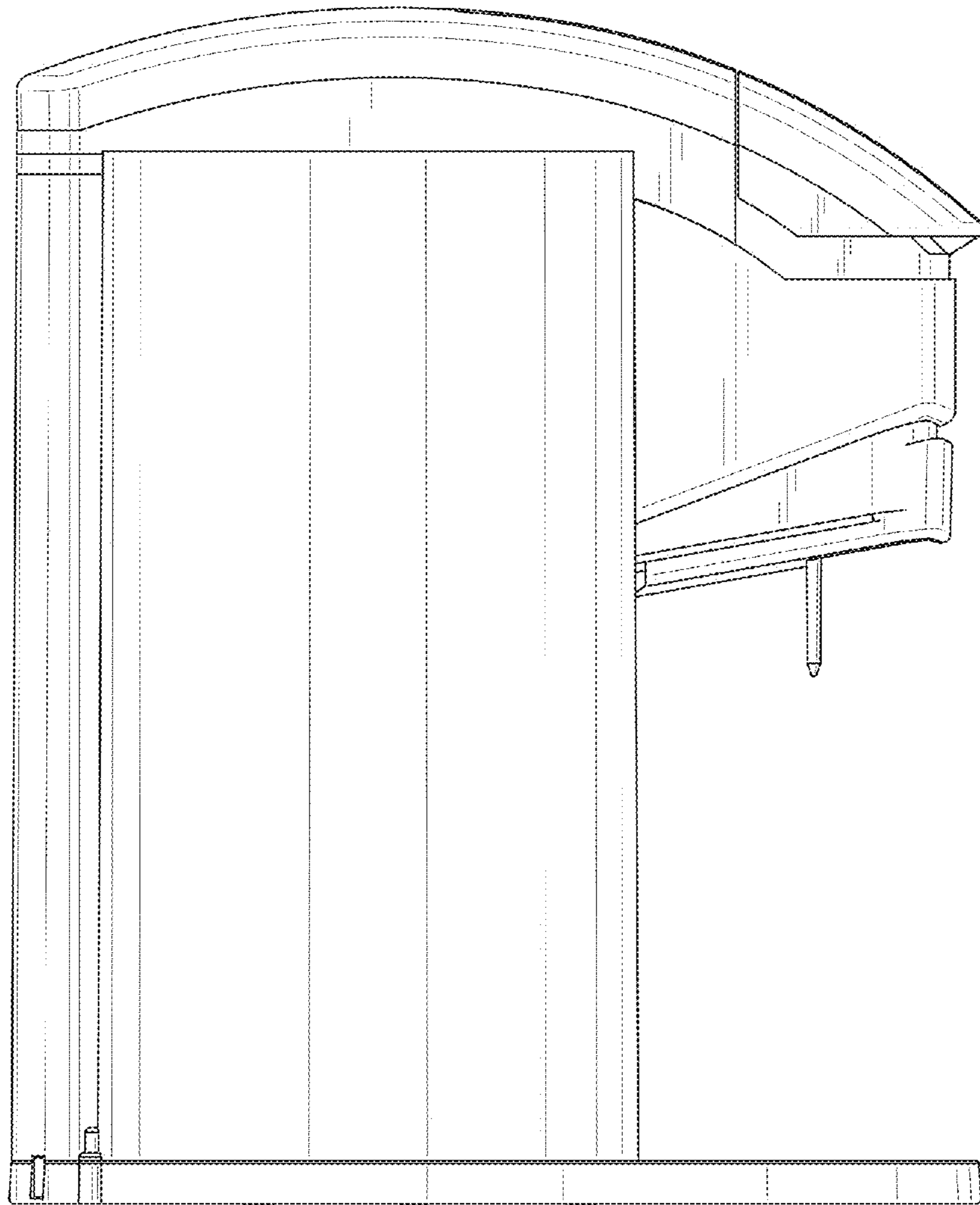


FIG. 4

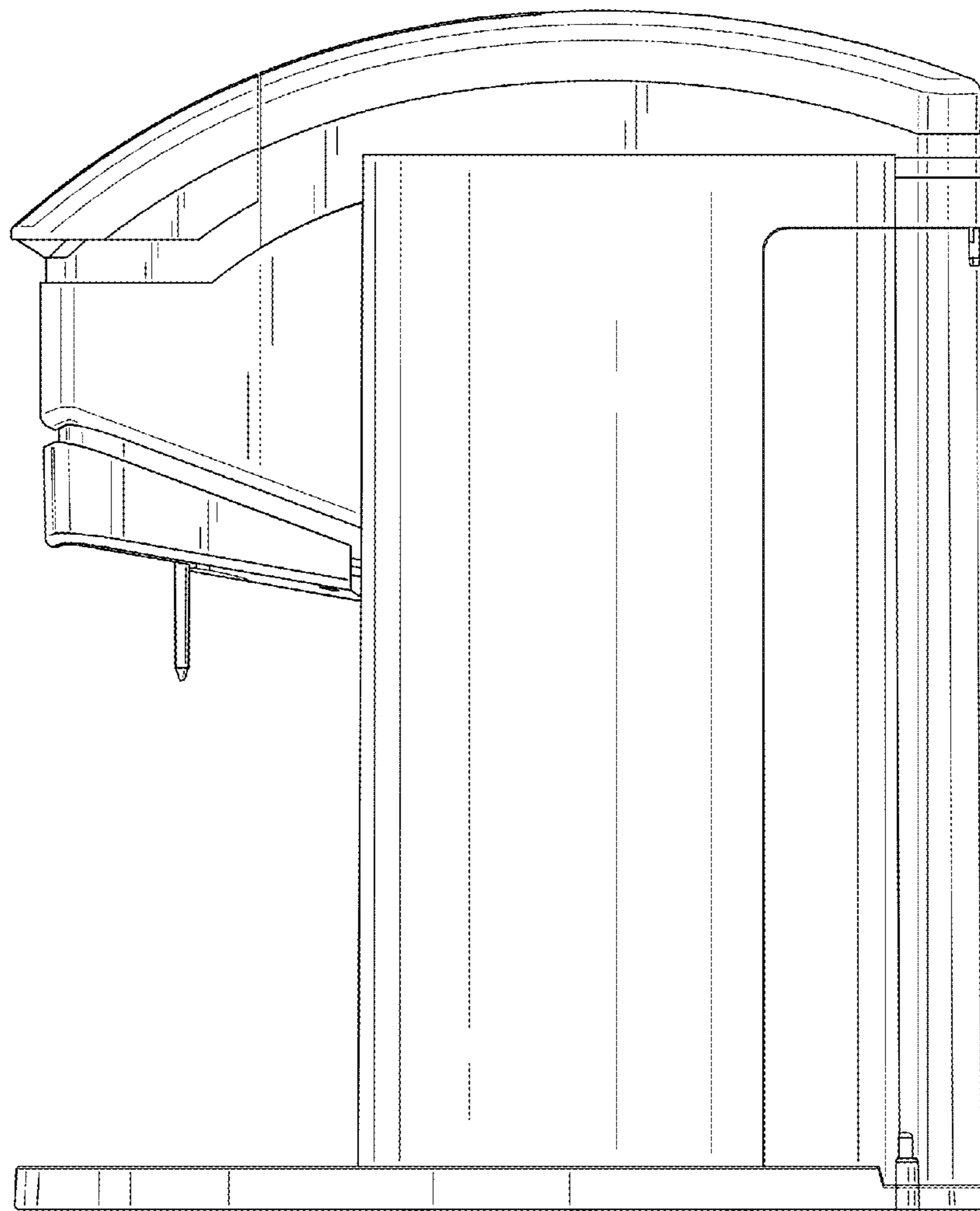


FIG. 5

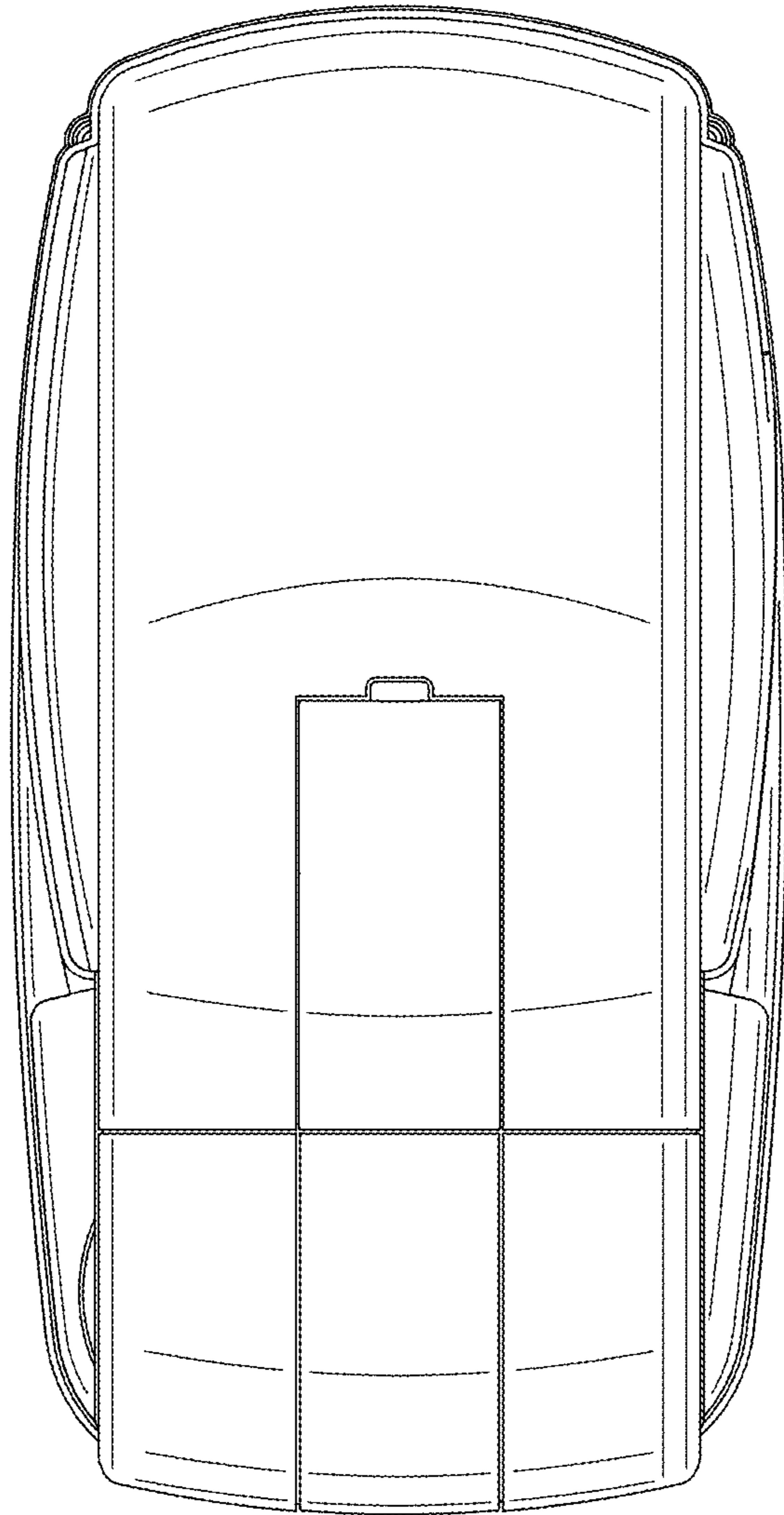


FIG. 6

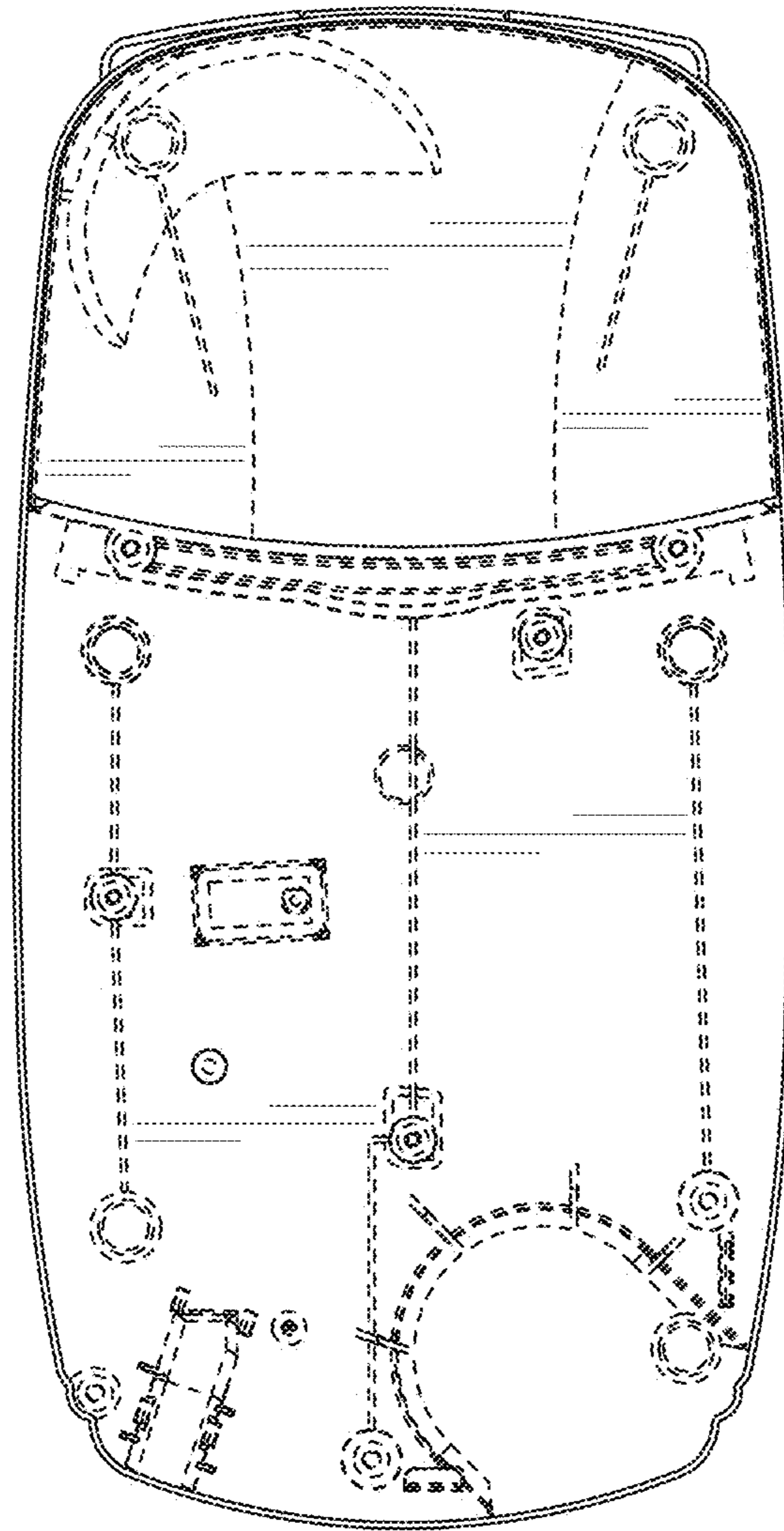


FIG. 7