



US00D687663S

(12) **United States Design Patent**  
**Beghelli**

(10) **Patent No.:** **US D687,663 S**

(45) **Date of Patent:** **\*\* Aug. 13, 2013**

(54) **WATER DISPENSER**

- (71) Applicant: **Beghelli S.p.A.**, Monteveglio (IT)
- (72) Inventor: **Gian P. Beghelli**, Monteveglio (BO) (IT)
- (73) Assignee: **Beghelli S.p.A.**, Monteveglio (BO) (IT)
- (\*\*) Term: **14 Years**
- (21) Appl. No.: **29/433,242**

- (22) Filed: **Sep. 27, 2012**
- (51) **LOC (9) Cl.** ..... **07-01**
- (52) **U.S. Cl.**  
USPC ..... **D7/306; D7/311**
- (58) **Field of Classification Search**  
USPC ..... D7/313, 306–311, 300; 220/630;  
222/185.1, 131; 99/306, 307, 289 R; D23/209  
See application file for complete search history.

(56) **References Cited**

**U.S. PATENT DOCUMENTS**

D166,527 S	4/1952	Byrd	
D199,037 S	9/1964	Jackson	
D213,796 S	4/1969	Marue	
4,495,404 A	1/1985	Carmichael	
D327,804 S	7/1992	Brown et al.	
5,665,224 A	9/1997	Levene et al.	
D408,206 S *	4/1999	Stafford et al.	D7/306
D428,756 S	8/2000	Miller	
6,649,045 B2	11/2003	Tanner et al.	
D497,278 S *	10/2004	Picozza et al.	D7/309
D506,346 S	6/2005	Matsumoto	
D524,087 S	7/2006	Ali	
D542,077 S	5/2007	Claypool et al.	
D600,492 S *	9/2009	Hammad et al.	D7/309
D637,859 S *	5/2011	Orkney et al.	D7/306
D649,826 S *	12/2011	Garman	D7/306
D666,864 S *	9/2012	Dahlstrom	D7/309
D667,674 S *	9/2012	Wilder et al.	D7/306

**OTHER PUBLICATIONS**

- OHIM Design Registration No. 001962606-0001 filed/registered on Dec. 14, 2011.
- OHIM Design Registration No. 001962606-0002 filed/registered on Dec. 14, 2011.
- Design U.S. Appl. No. 29/433,241, filed Sep. 27, 2012.
- Design U.S. Appl. No. 29/433,243, filed Sep. 27, 2012.
- Design U.S. Appl. No. 29/424,693, filed Jun. 14, 2012.
- Design U.S. Appl. No. 29/424,691, filed Jun. 14, 2012.
- Design U.S. Appl. No. 29/424,866, filed Jun. 15, 2012.

\* cited by examiner

*Primary Examiner* — Marianne Pandozzi

(74) *Attorney, Agent, or Firm* — Roberts Mlotkowski Safran & Cole P.C.

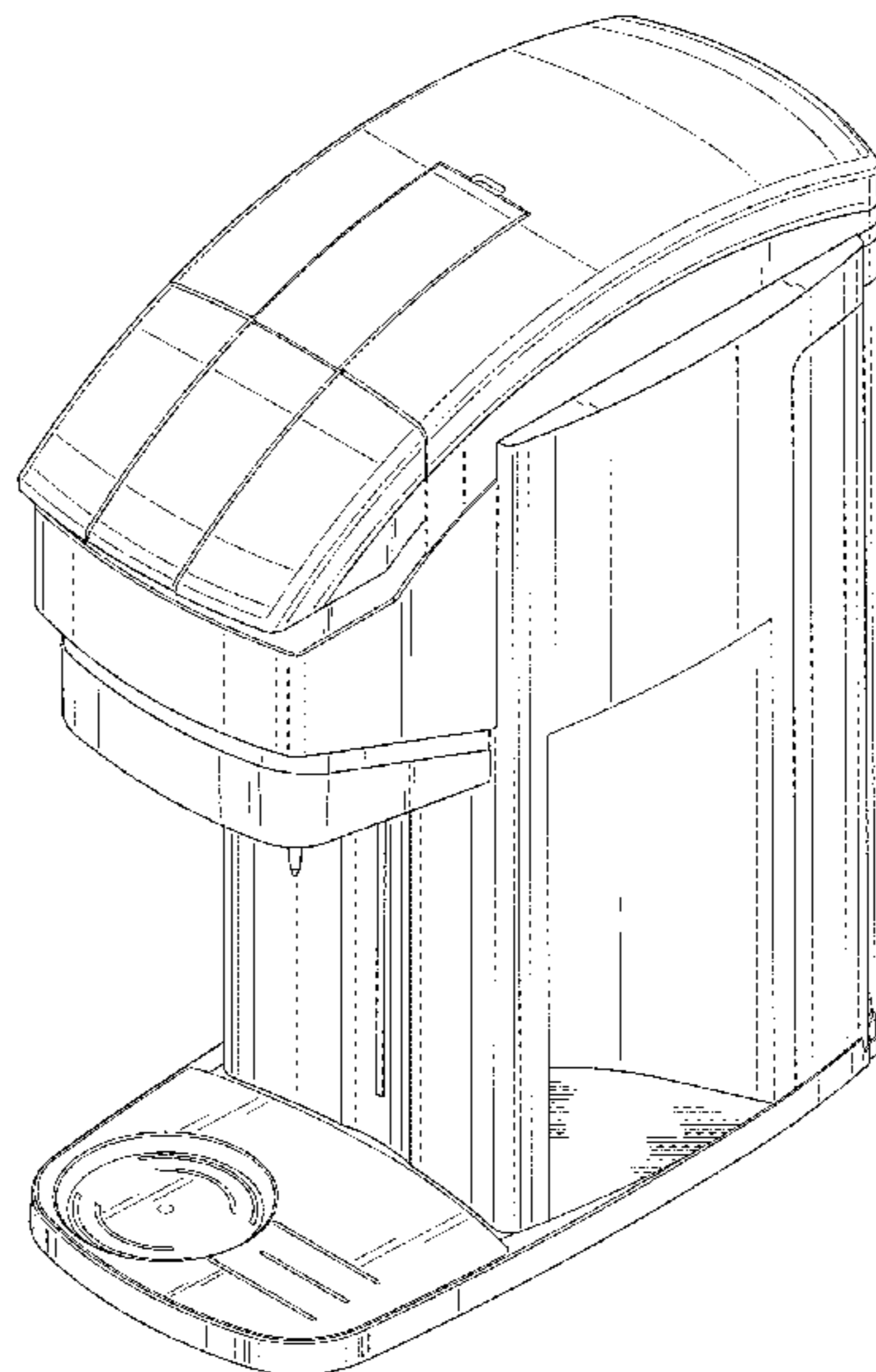
(57) **CLAIM**

The ornamental design for the water dispenser, as shown and described.

**DESCRIPTION**

FIG. 1 is a front perspective view of a water dispenser showing my new design;  
 FIG. 2 is a front view thereof;  
 FIG. 3 is a rear view thereof;  
 FIG. 4 is a left side view thereof;  
 FIG. 5 is a right side view thereof;  
 FIG. 6 is a top plan view thereof; and,  
 FIG. 7 is a bottom plan view thereof.  
 The bottom view is plain and unadorned and not visible in use.  
 The broken lines are illustrative and form no part of the claimed design.

**1 Claim, 7 Drawing Sheets**



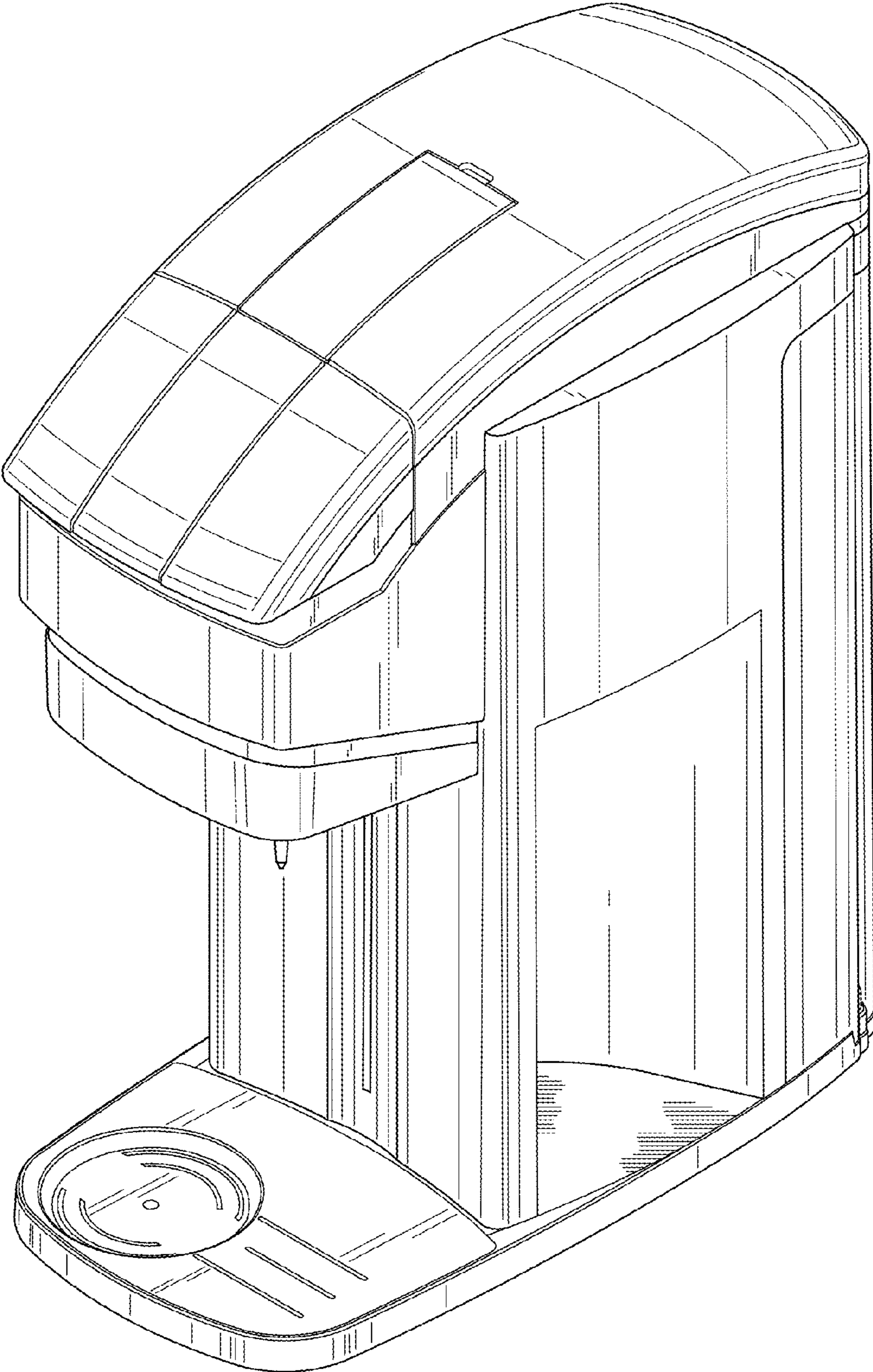


FIG. 1

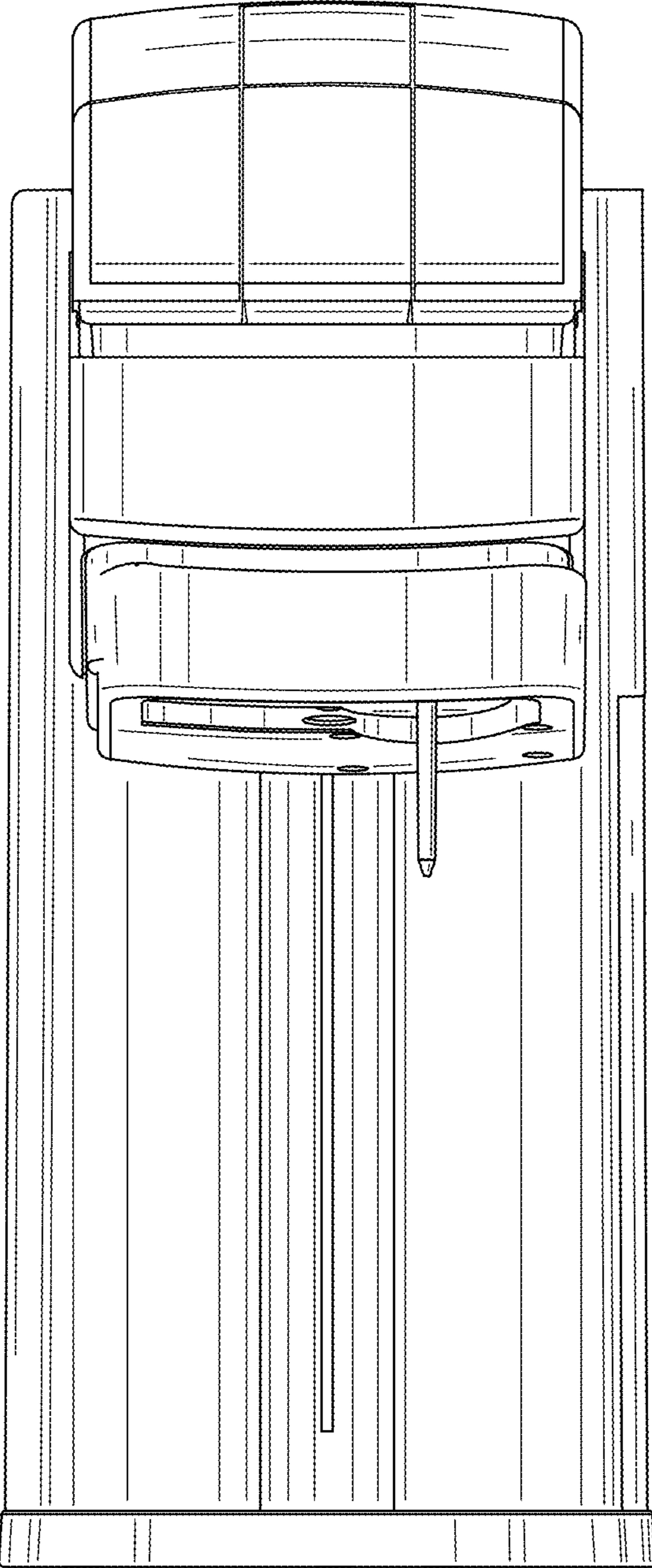


FIG. 2

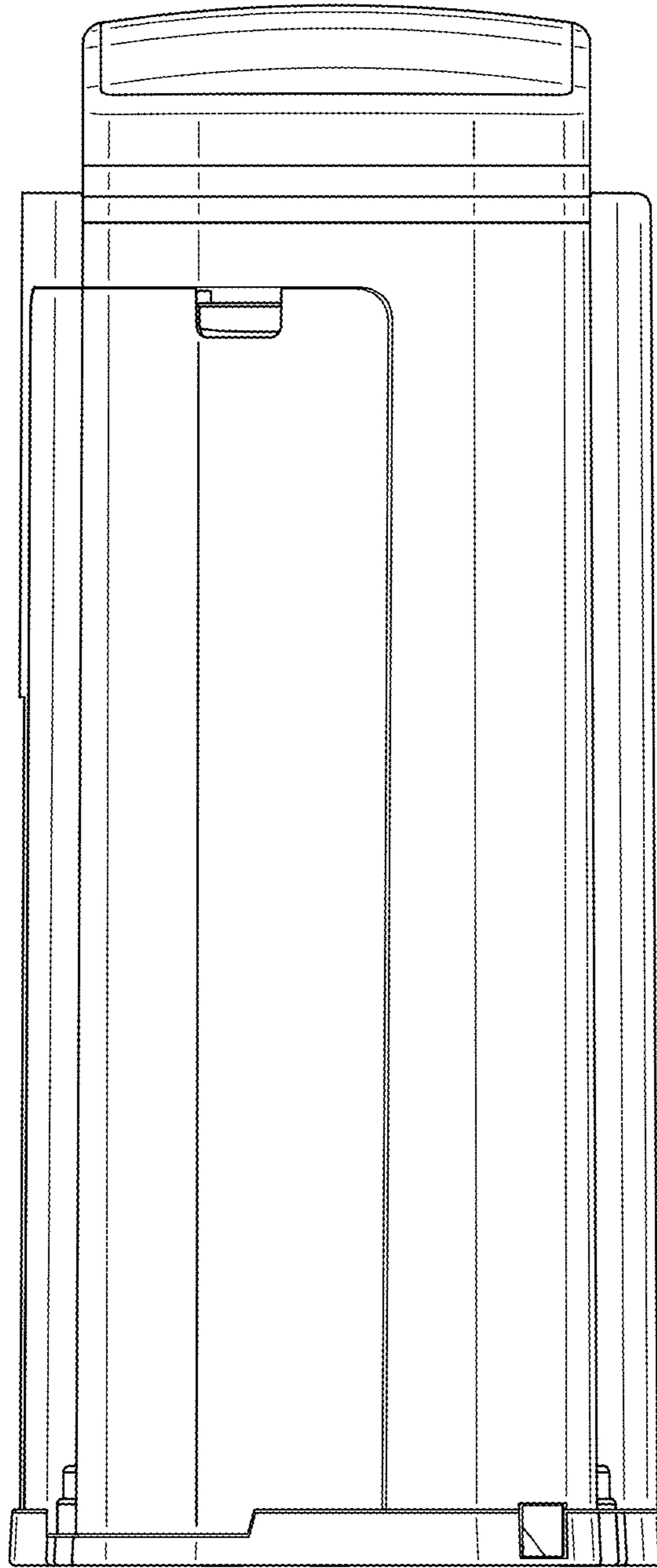


FIG. 3

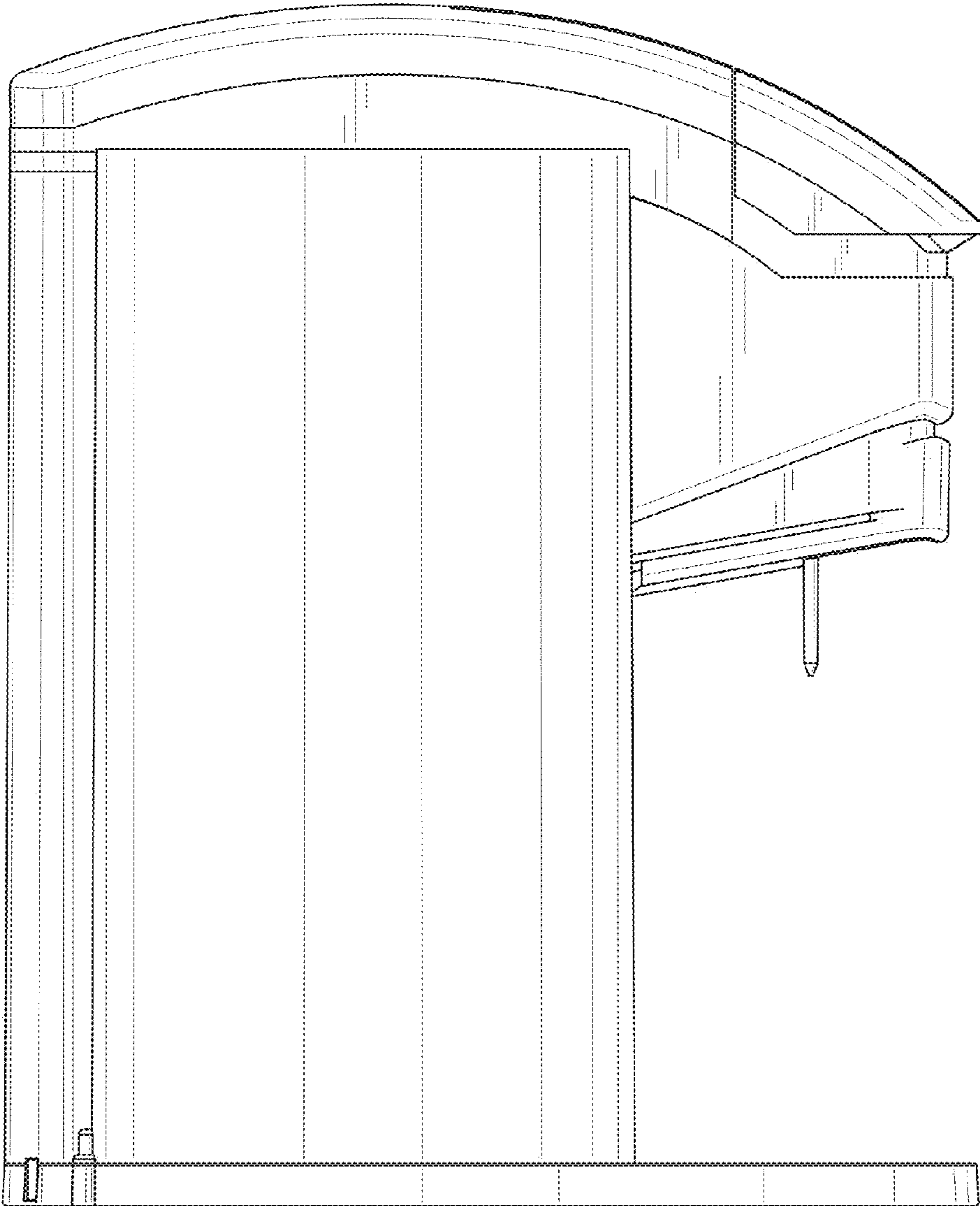


FIG. 4

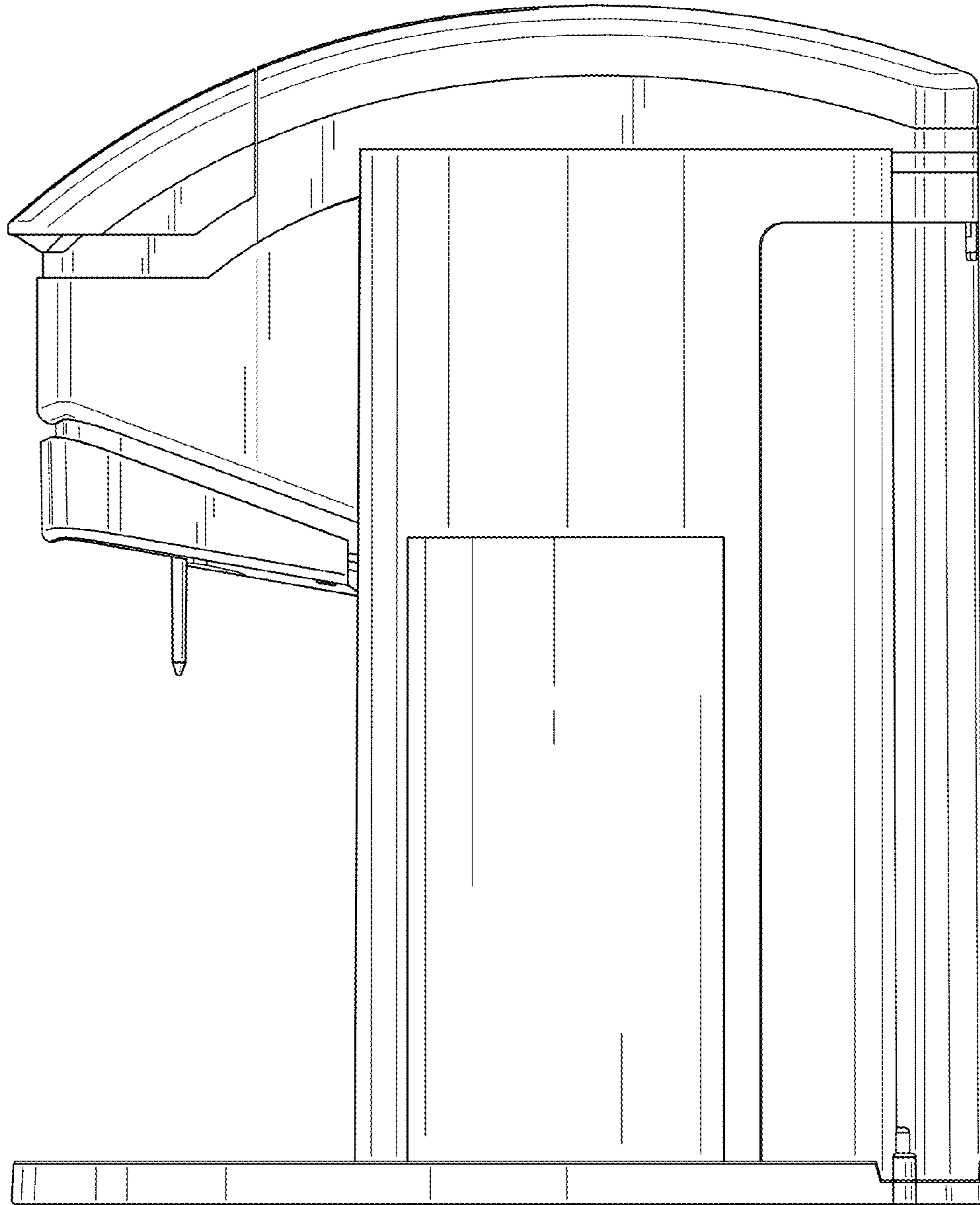


FIG. 5

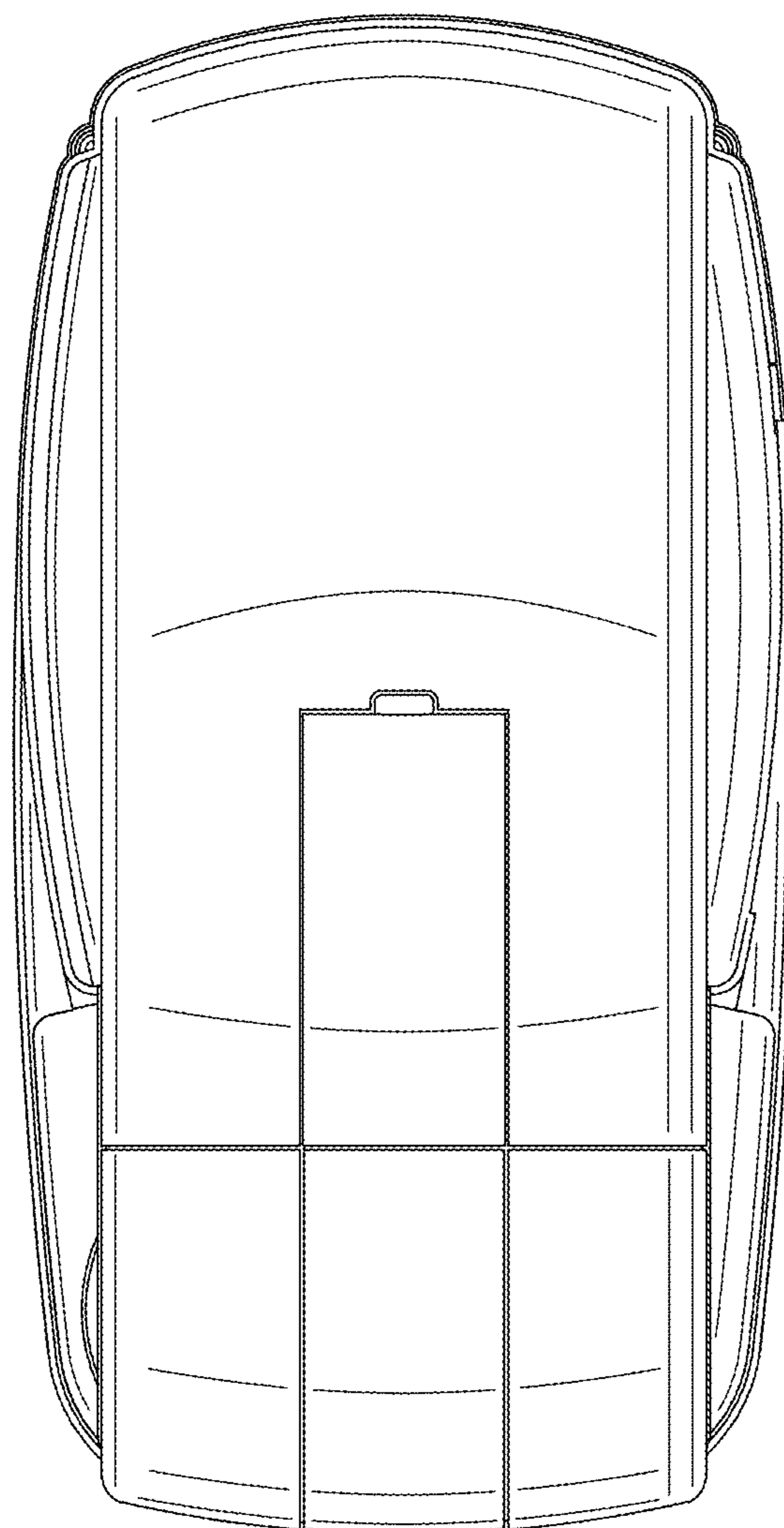


FIG. 6

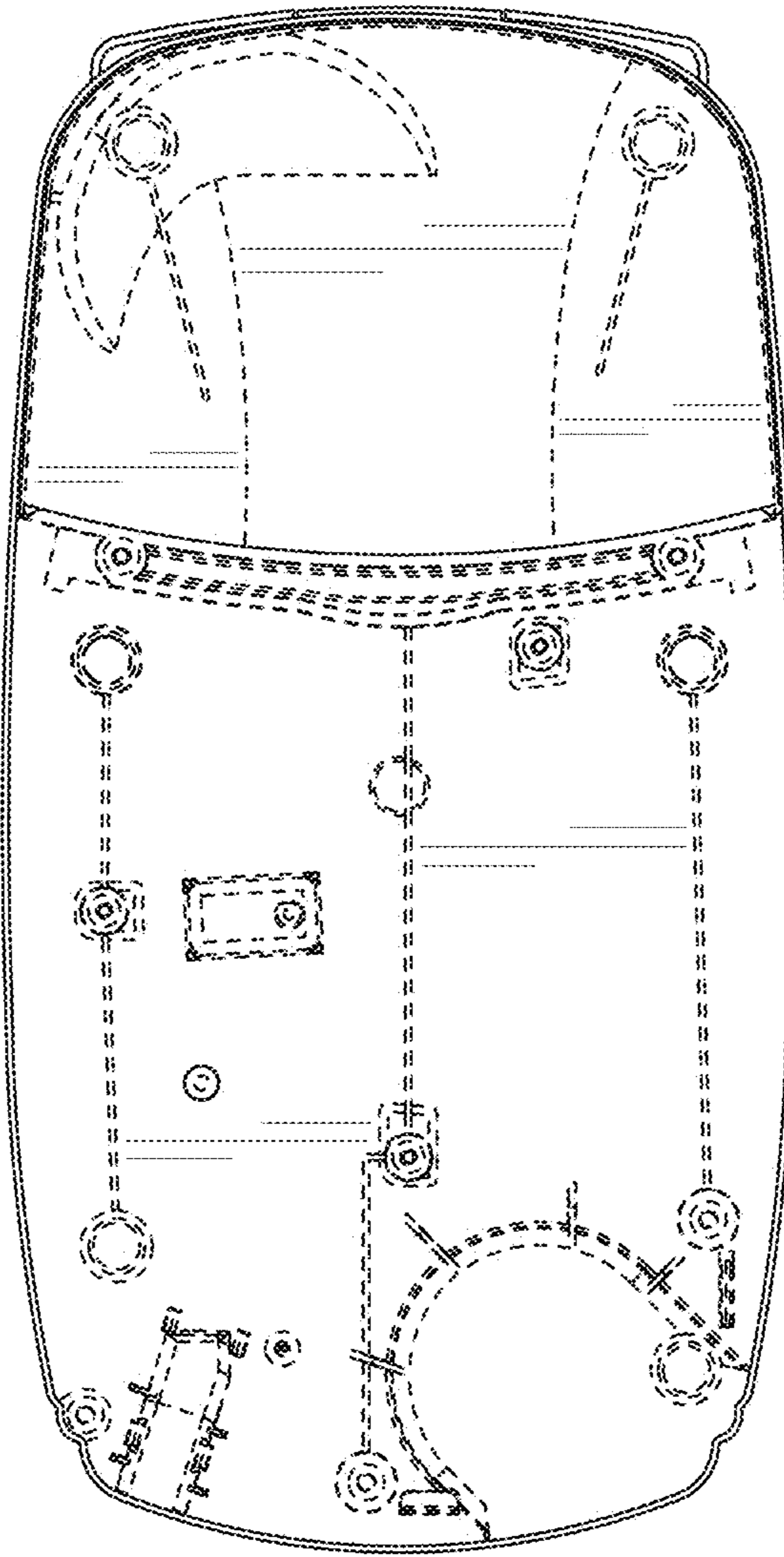


FIG. 7