



US00D687660S

(12) **United States Design Patent**  
**Hsuan-Chin**

(10) **Patent No.:** **US D687,660 S**

(45) **Date of Patent:** **\*\* Aug. 13, 2013**

(54) **CHAIR BACK FRAME**

(75) **Inventor:** **Tsai Hsuan-Chin, Chai-Yi Hsien (TW)**

(73) **Assignee:** **Zhongshan Shi Songlin Furniture Co., Ltd, Zhongshan (CN)**

(\*\*) **Term:** **14 Years**

(21) **Appl. No.:** **29/423,805**

(22) **Filed:** **Jun. 5, 2012**

(51) **LOC (9) Cl.** ..... **06-01**

(52) **U.S. Cl.**  
USPC ..... **D6/716.4; D6/366**

(58) **Field of Classification Search**  
USPC ..... D6/334-336, 364, 365, 366, 369,  
D6/374, 379, 380, 716, 716.1, 716.2, 716.3,  
D6/716.4; 297/284.4, 284.7, 452.13, 452.29,  
297/452.3, 452.46, 452.56, 452.64  
See application file for complete search history.

(56) **References Cited**

**U.S. PATENT DOCUMENTS**

D540,578 S *	4/2007	Chen	.....	D6/716.4
D540,580 S *	4/2007	Su	.....	D6/716.4
D545,076 S *	6/2007	Dallmann et al.	.....	D6/366
D558,994 S *	1/2008	Machael et al.	.....	D6/366

D579,695 S *	11/2008	Wu	.....	D6/716
D580,198 S *	11/2008	Wu	.....	D6/716.4
D580,199 S *	11/2008	Su	.....	D6/716.4
D641,573 S *	7/2011	Tsai	.....	D6/716.4
D645,683 S *	9/2011	Chen	.....	D6/716.4
D650,617 S *	12/2011	Chen	.....	D6/716.4
D652,223 S *	1/2012	Fujita	.....	D6/366
D652,646 S *	1/2012	Fujita	.....	D6/366
2003/0001425 A1 *	1/2003	Koepke et al.	.....	297/452.56

\* cited by examiner

*Primary Examiner* — Mimoso De

(74) *Attorney, Agent, or Firm* — Alan Kamrath; Kamrath IP Lawfirm, P.A.

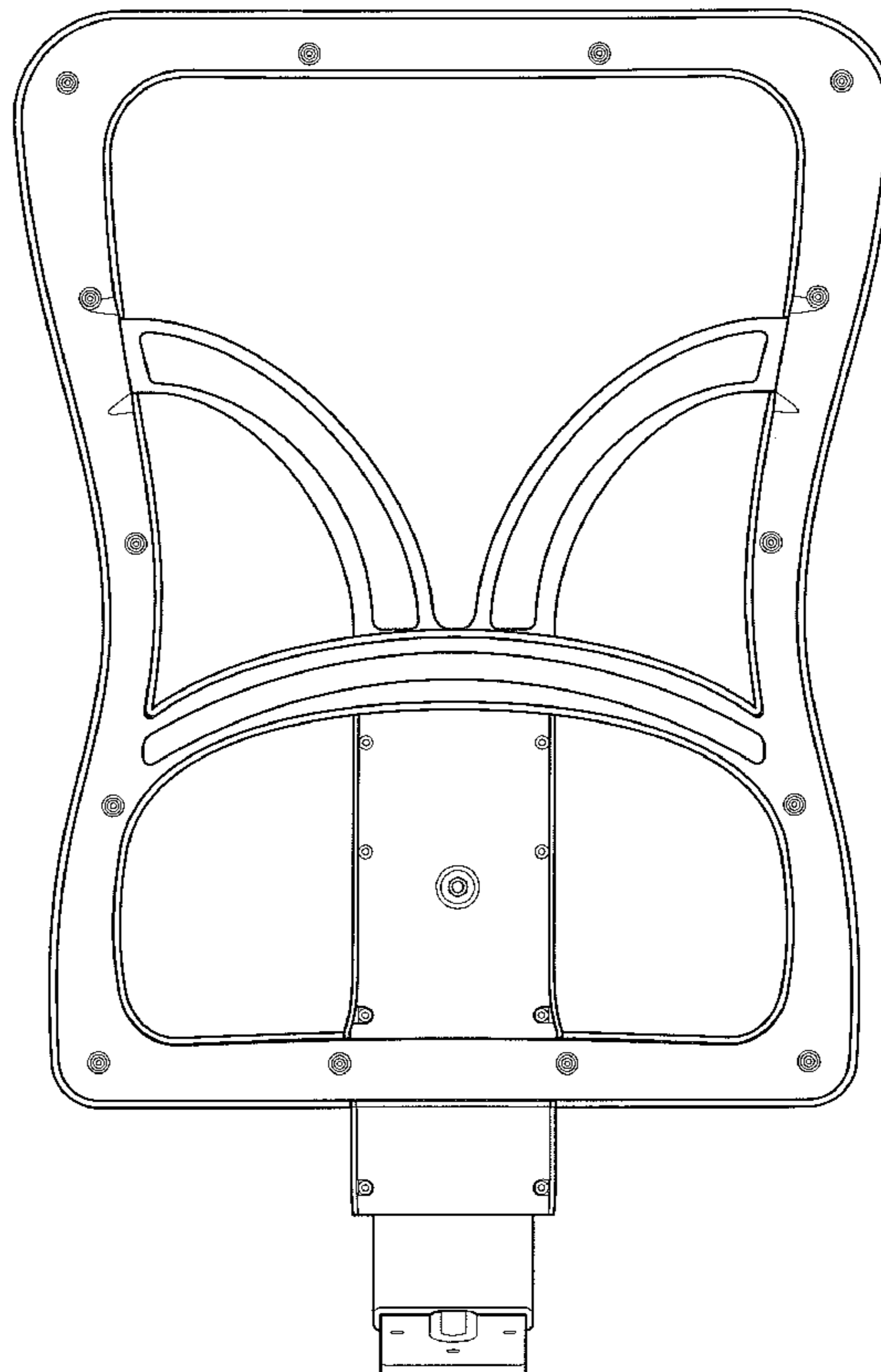
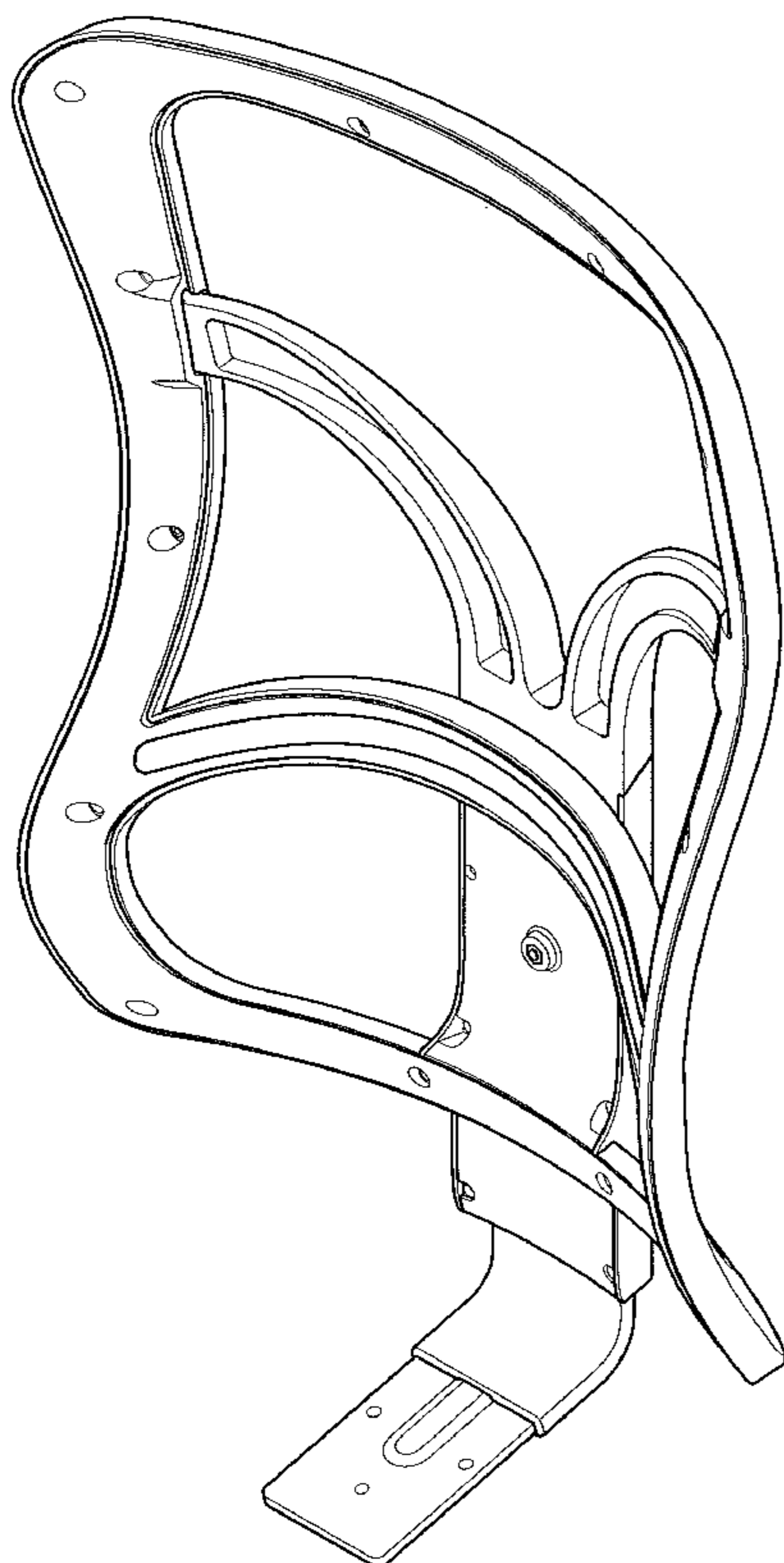
(57) **CLAIM**

The ornamental design for a chair back frame, as shown and described.

**DESCRIPTION**

FIG. 1 is a perspective view of an applicator, showing my new design;  
FIG. 2 is a front elevational view thereof;  
FIG. 3 is a rear elevational view thereof;  
FIG. 4 is a left side view thereof;  
FIG. 5 is a right side view thereof;  
FIG. 6 is a top plan view thereof; and,  
FIG. 7 is a bottom plan view thereof.

**1 Claim, 5 Drawing Sheets**



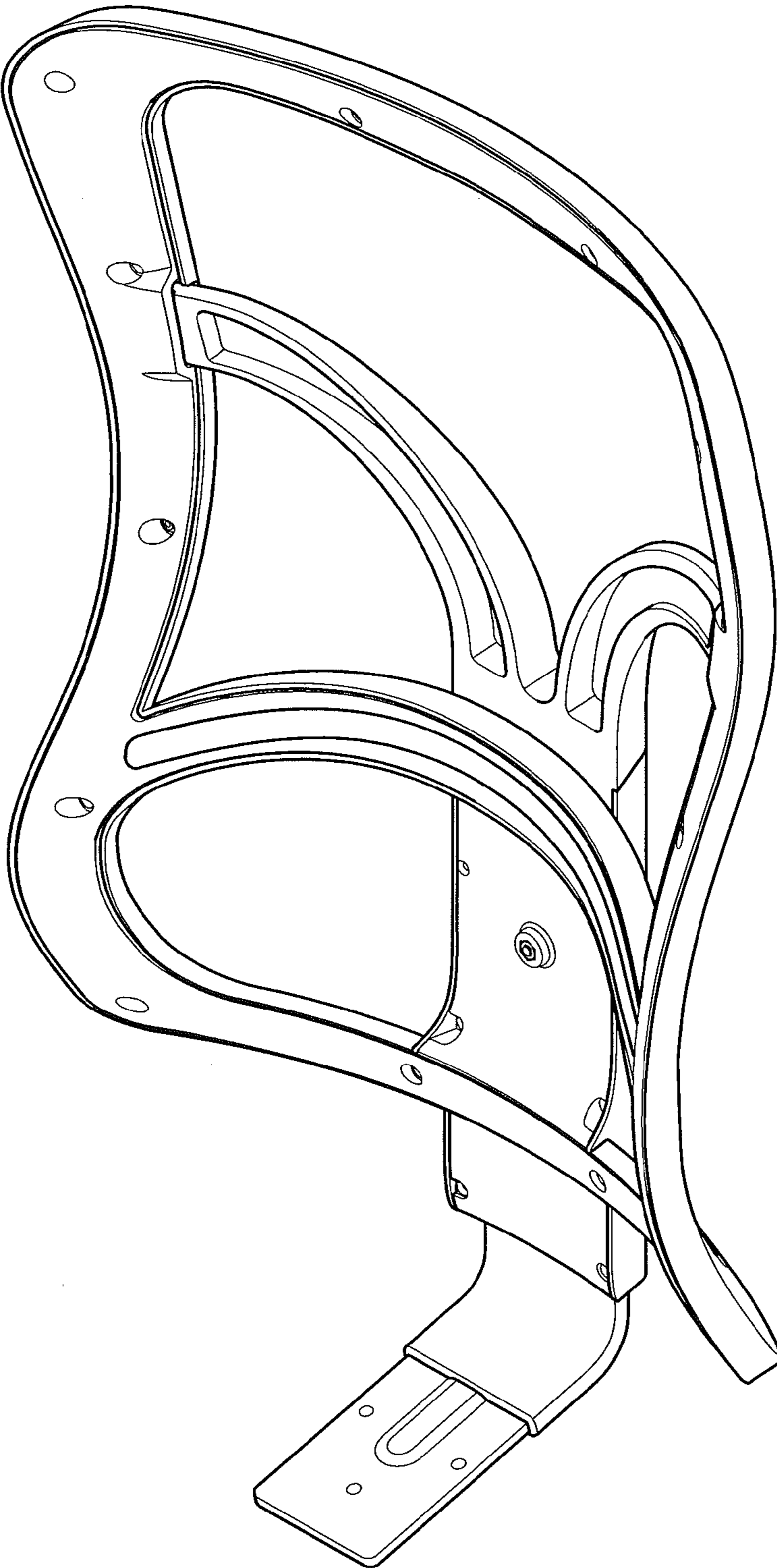


FIG .1

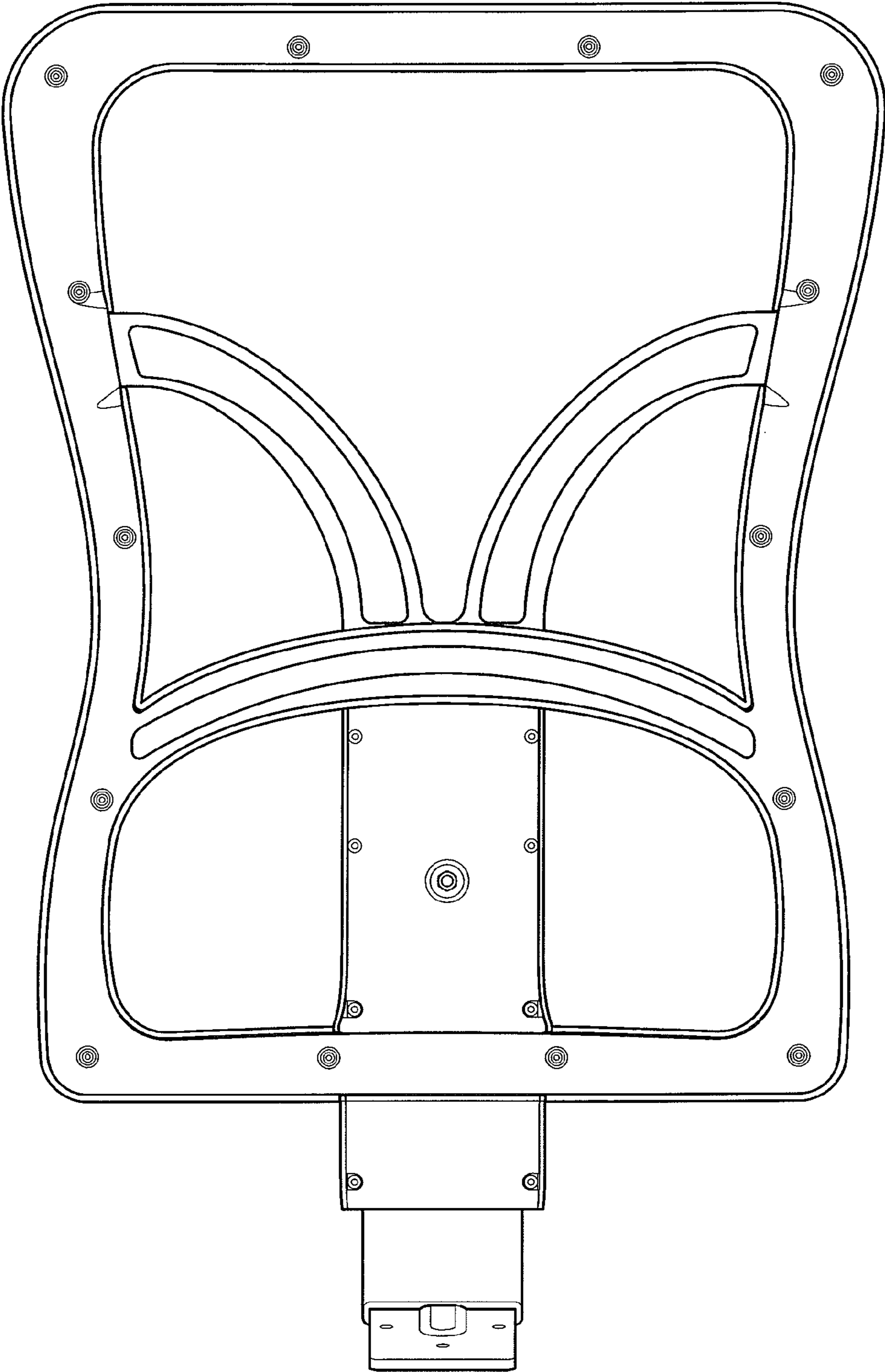


FIG . 2

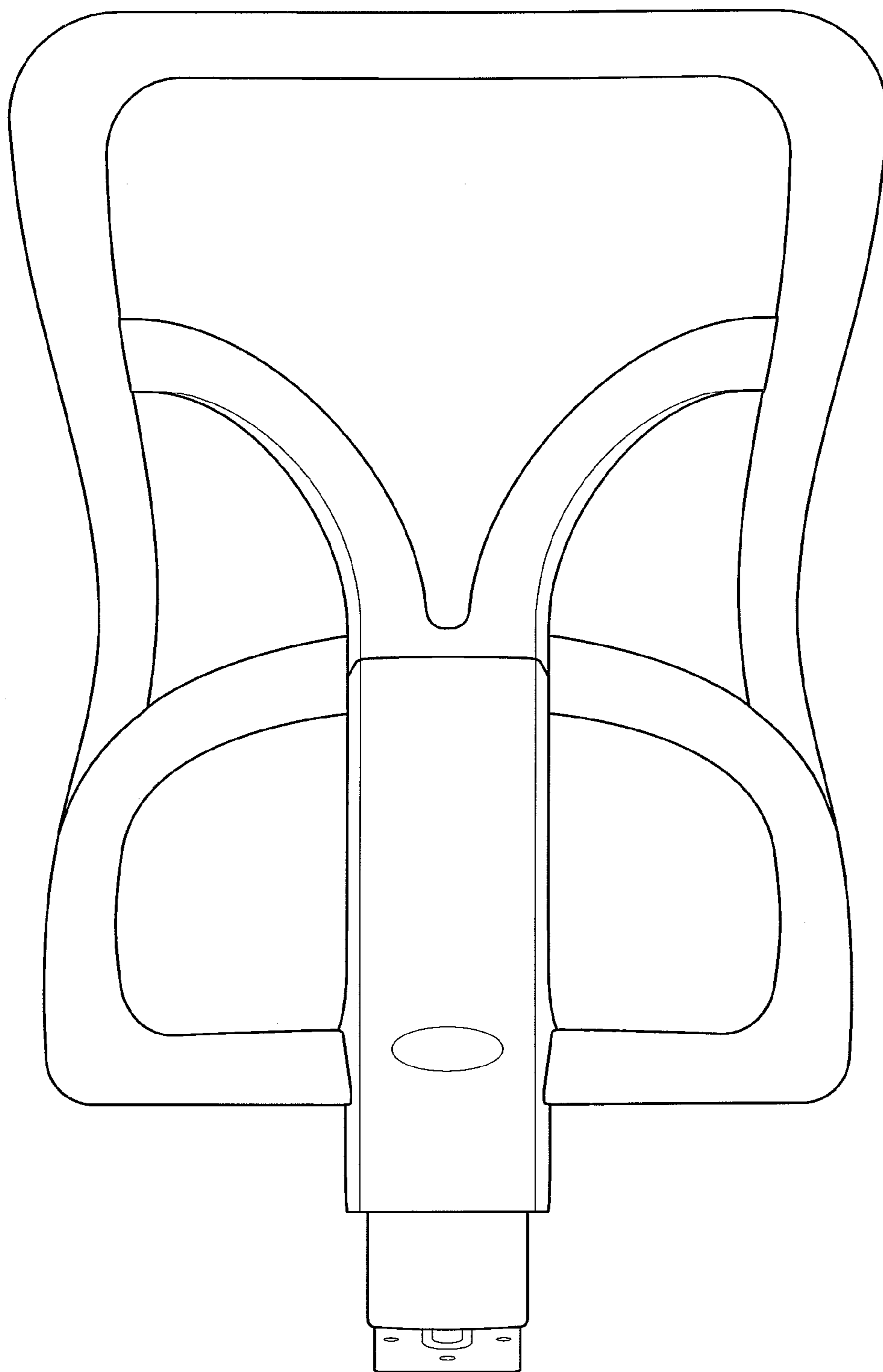


FIG .3

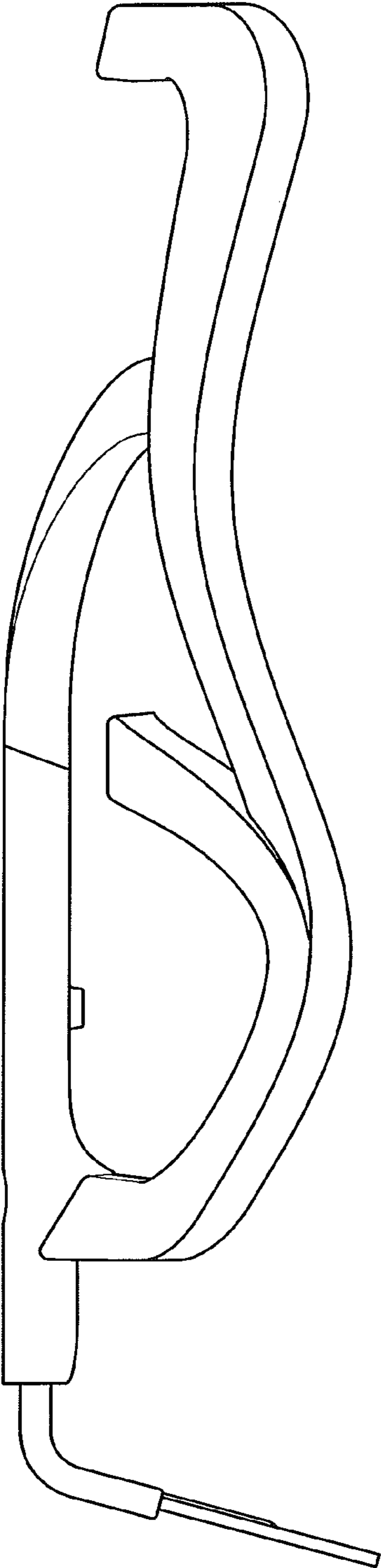


FIG .4

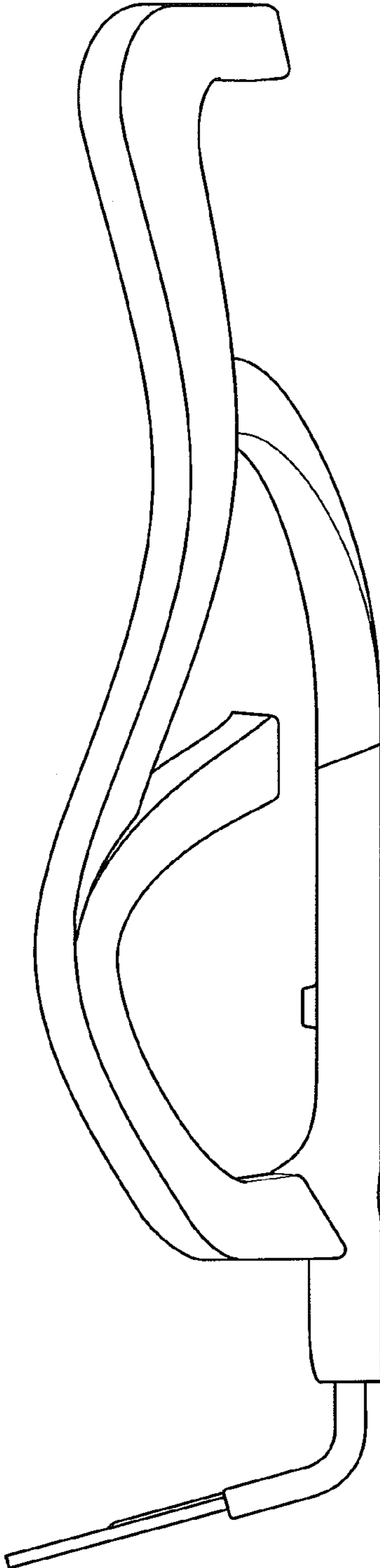


FIG .5

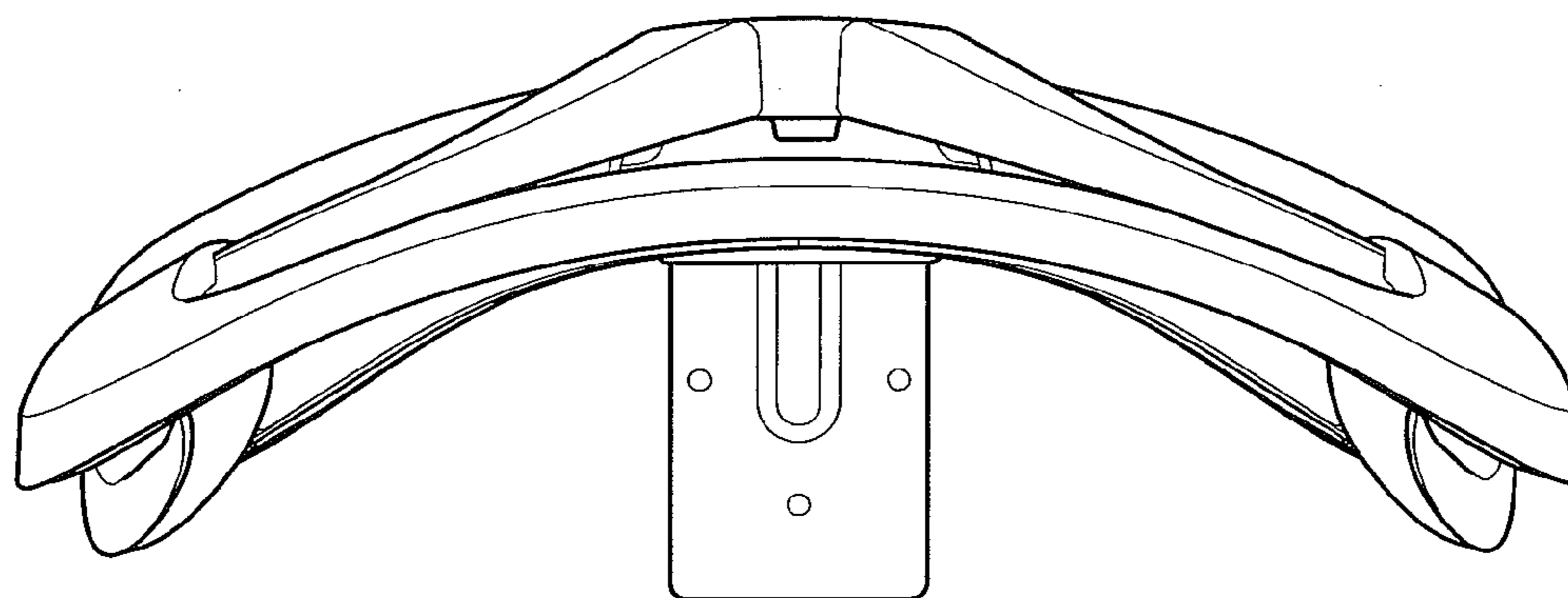


FIG .6

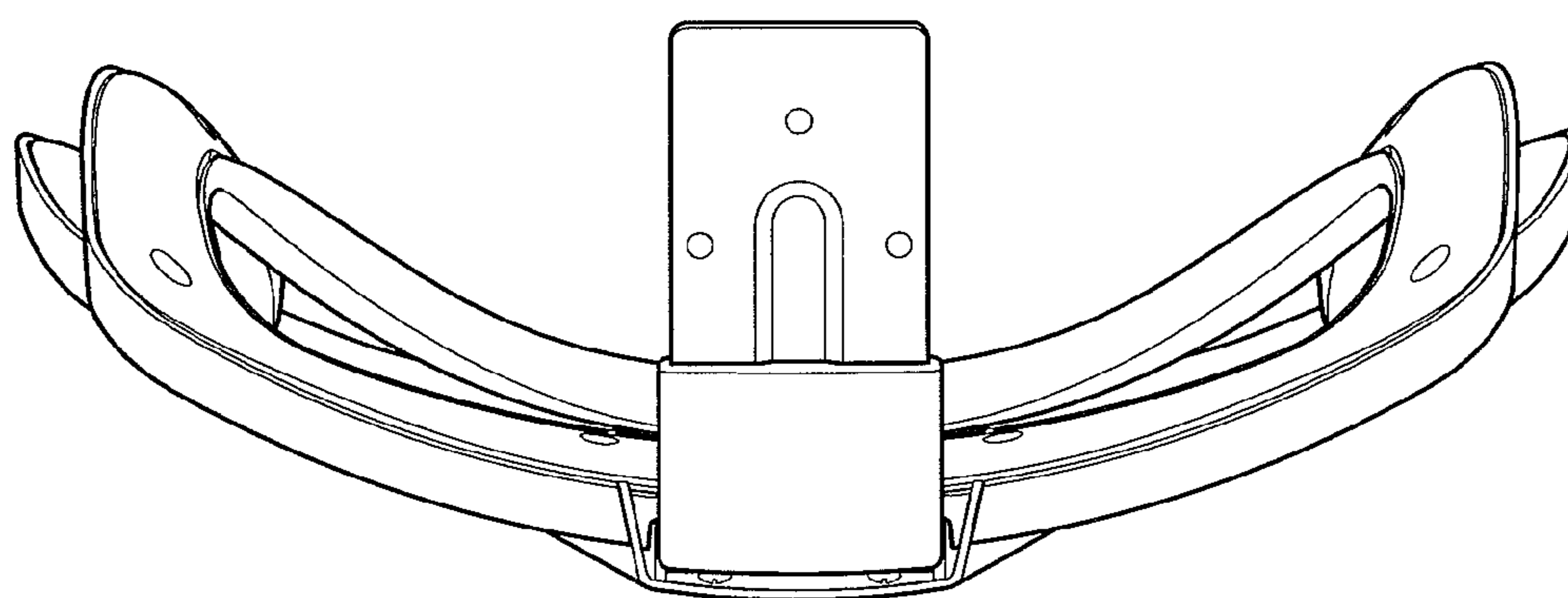


FIG .7