



US00D687657S

(12) **United States Design Patent**
Ruiter et al.

(10) **Patent No.:** **US D687,657 S**

(45) **Date of Patent:** **** Aug. 13, 2013**

(54) **TABLE WITH ADJUSTABLE TOP**

(75) Inventors: **Joel T. Ruiter**, Grand Rapids, MI (US);
Robert J. Bockheim, Grand Rapids, MI (US)

(73) Assignee: **Nucraft Furniture Company**,
Comstock Park, MI (US)

(**) Term: **14 Years**

(21) Appl. No.: **29/423,932**

(22) Filed: **Jun. 6, 2012**

(51) **LOC (9) Cl.** **06-06**

(52) **U.S. Cl.**

USPC **D6/656.15**; D6/692.3

(58) **Field of Classification Search**

USPC D6/656, 656.13, 656.15, 691, 691.3,
D6/691.4, 692.3, 696.1; 108/150, 50.01,
108/50.02, 153.1, 156, 161, 137, 143; 248/188,
248/188.1, 188.7

See application file for complete search history.

(56) **References Cited**

U.S. PATENT DOCUMENTS

2,284,917	A	6/1942	Nelson	
4,130,070	A	12/1978	Herrin	
D292,545	S *	11/1987	Peacock D6/486
5,549,055	A	8/1996	Kusch	
D562,599	S *	2/2008	Everson et al. D6/486
D611,997	S *	3/2010	De Viveiros Ortiz D21/397

D664,792 S * 8/2012 Gustafson et al. D6/486

* cited by examiner

Primary Examiner — Janice Seeger

(74) *Attorney, Agent, or Firm* — Gardner, Linn, Burkhart & Flory, LLP

(57) **CLAIM**

The ornamental design for a table with adjustable top, as shown and described.

DESCRIPTION

FIG. 1 is a perspective view of a table with adjustable top in accordance with the present invention, shown with its table top generally centered on its pedestal;

FIG. 2 is a top plan view of the table of FIG. 1;

FIG. 3 is a bottom plan view of the table of FIG. 1;

FIG. 4 is a side elevation of the table of FIG. 1, with the opposite side elevation being a mirror image thereof;

FIG. 5 is an end elevation of the table of FIG. 1, with the opposite end elevation being a mirror image thereof;

FIG. 6 is another perspective view of the table of the present invention, shown with the table top extended from one end of the pedestal;

FIG. 7 is a top plan view of the table of FIG. 6;

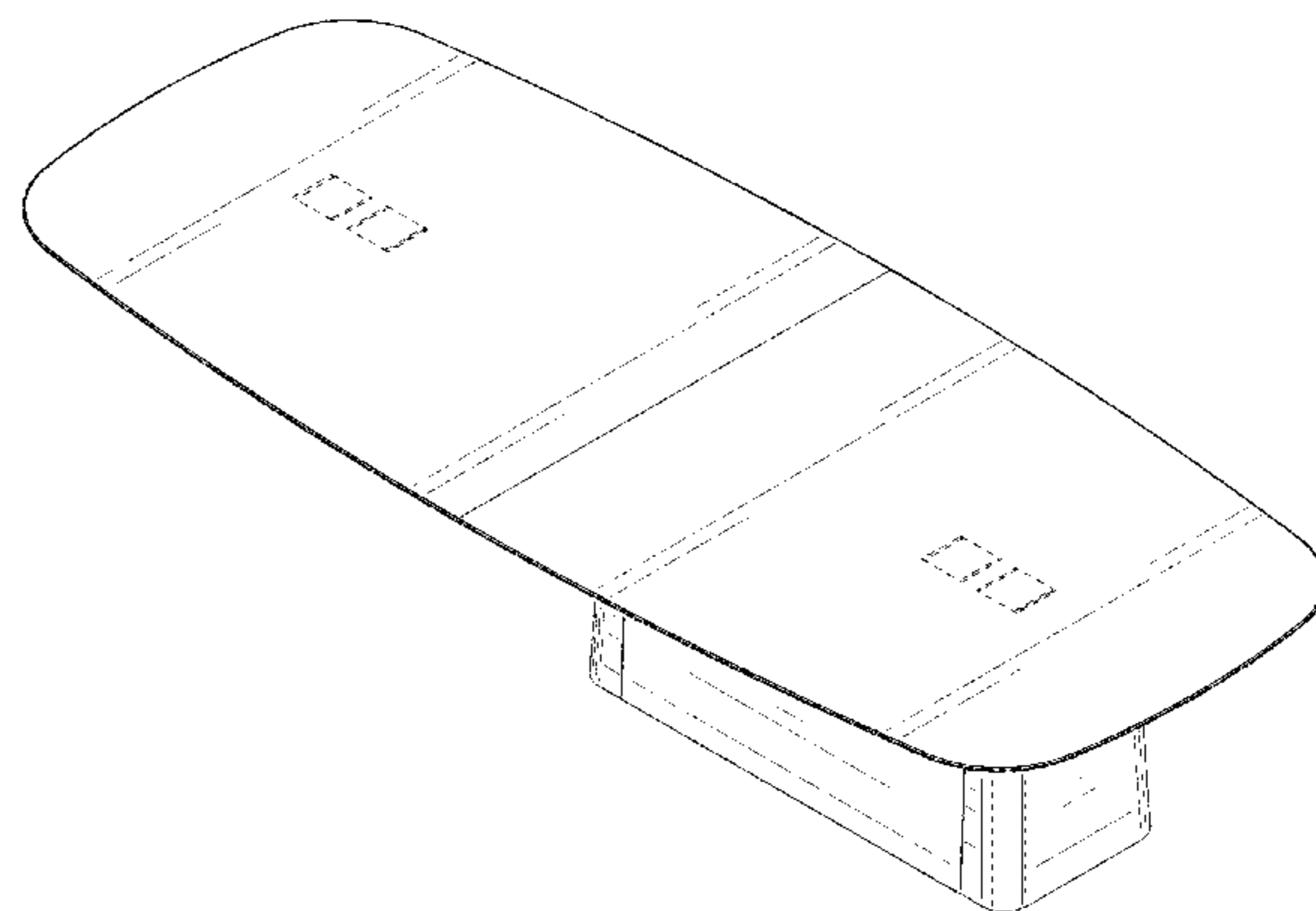
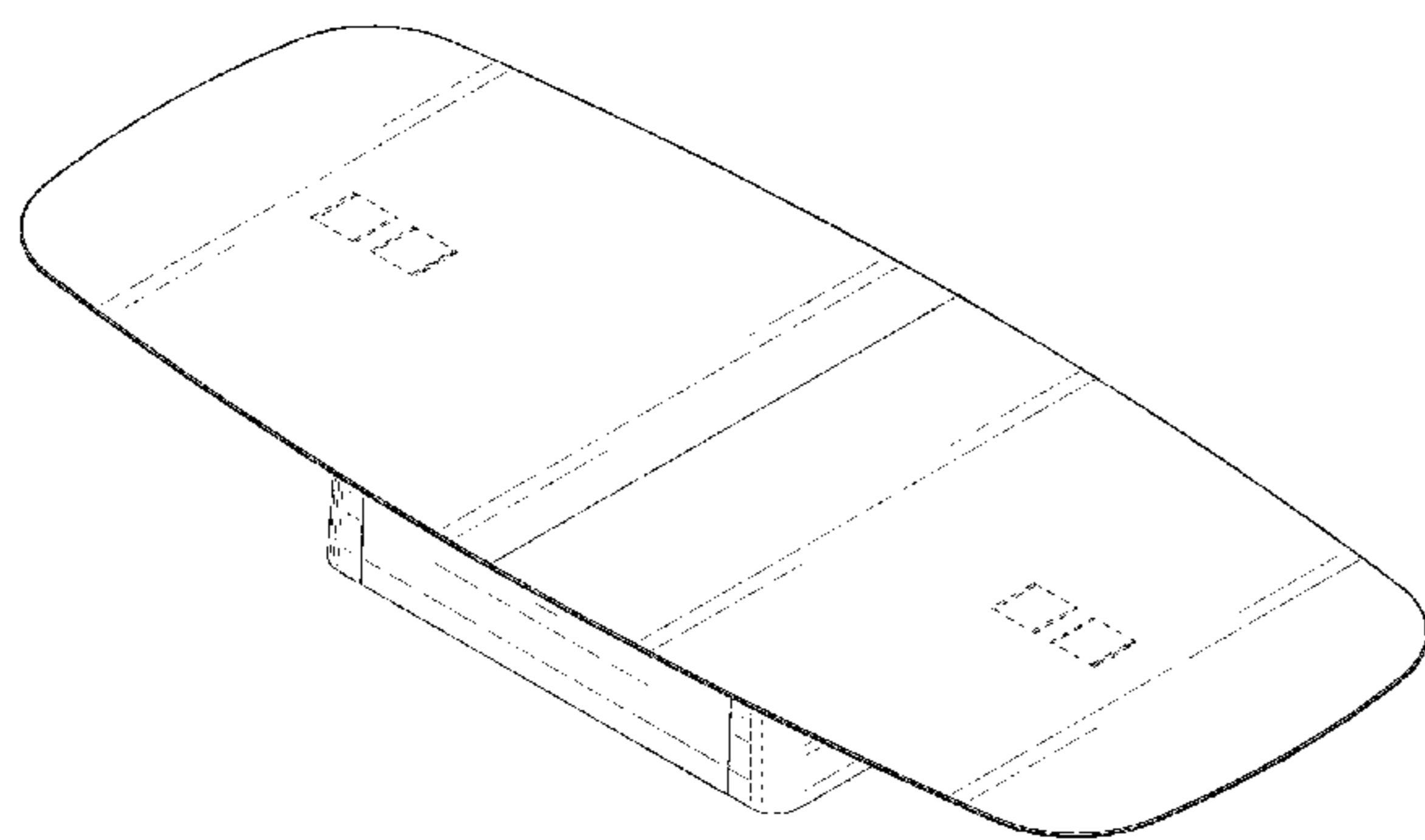
FIG. 8 is a bottom plan view of the table of FIG. 6;

FIG. 9 is a side elevation of the table of FIG. 6, with the opposite side elevation being a mirror image thereof; and,

FIG. 10 is an end elevation of the table of FIG. 6, with the opposite end elevation being a mirror image thereof.

In the drawings, the dashed lines in FIGS. 1-10 are for illustrative purposes only and form no part of the claim.

1 Claim, 10 Drawing Sheets



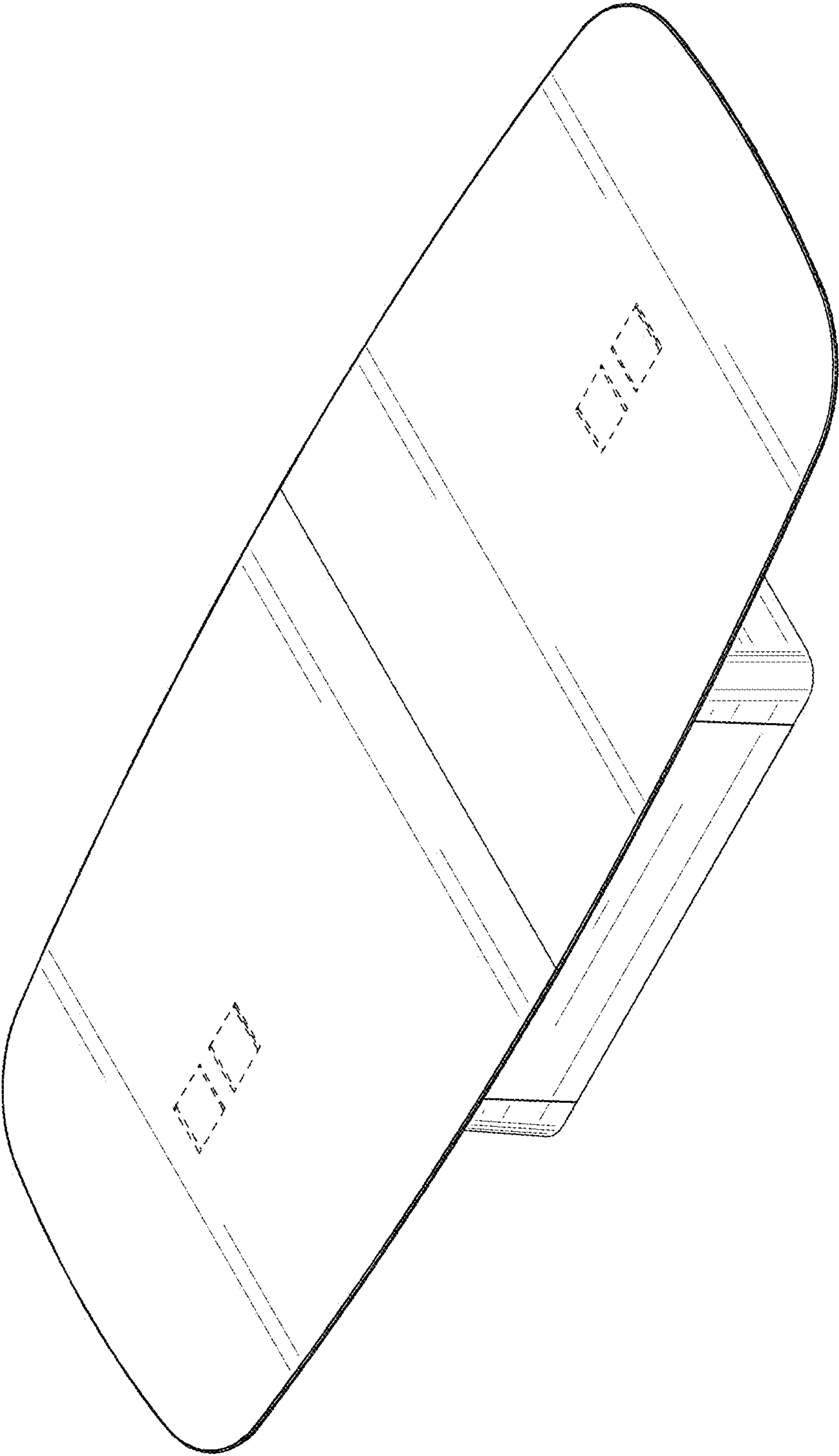


FIG. 1

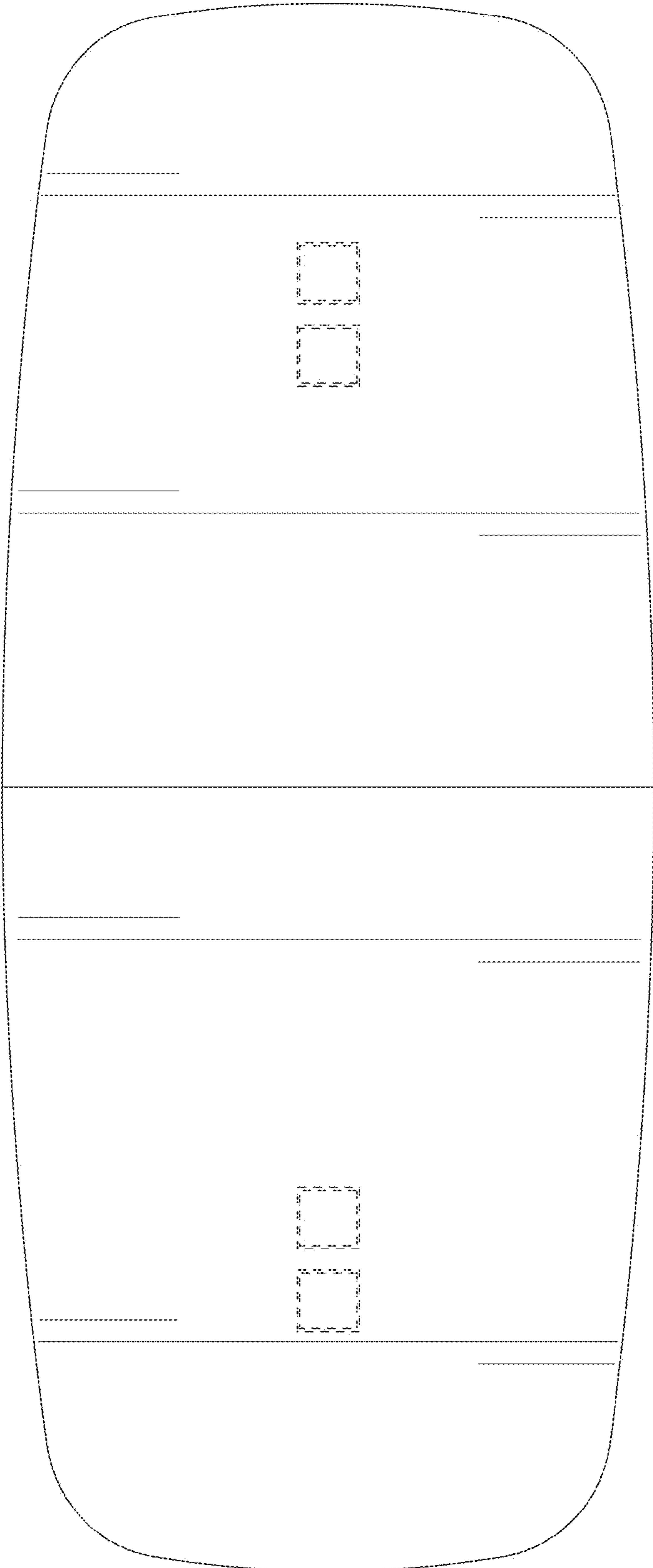


FIG. 2

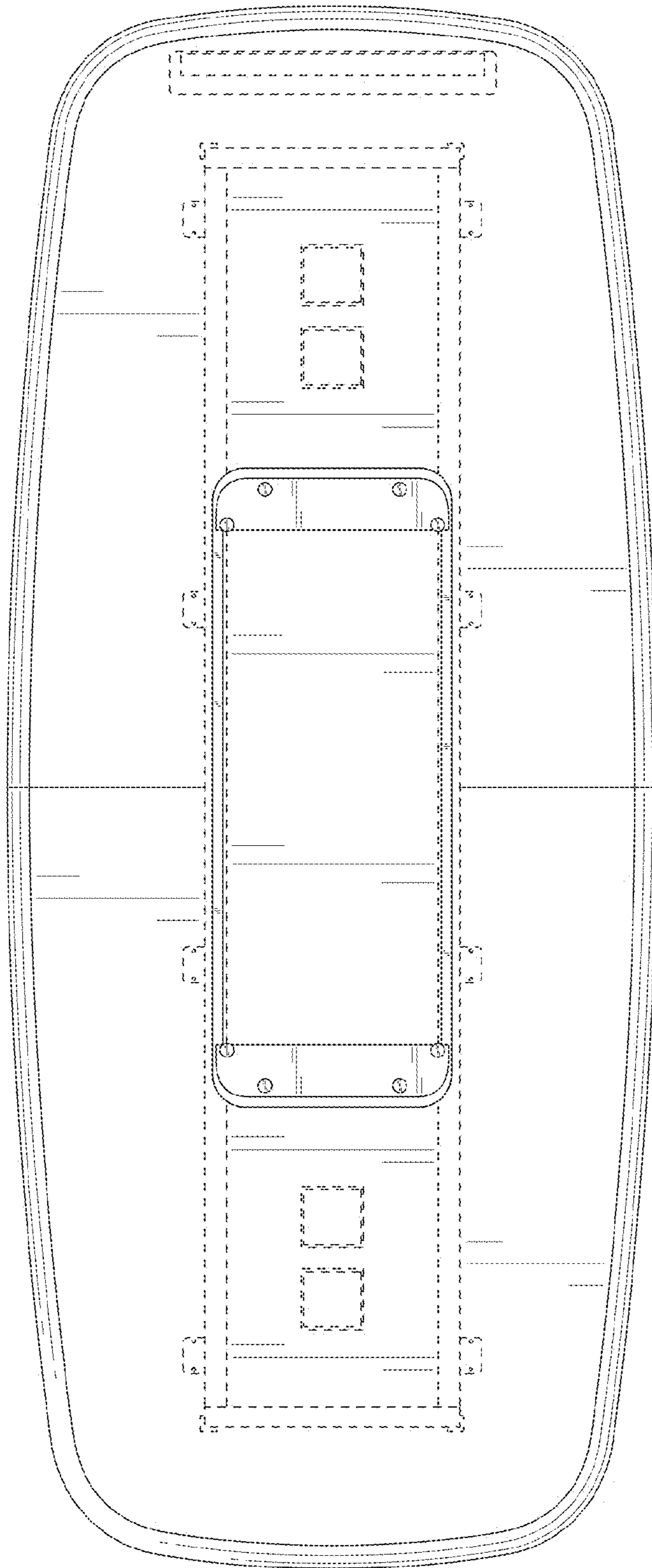


FIG. 3

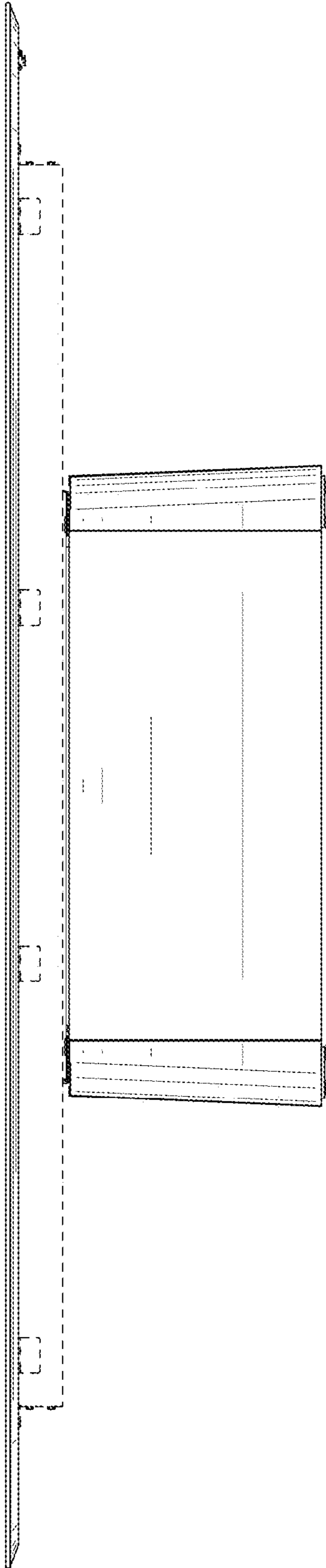


FIG. 4

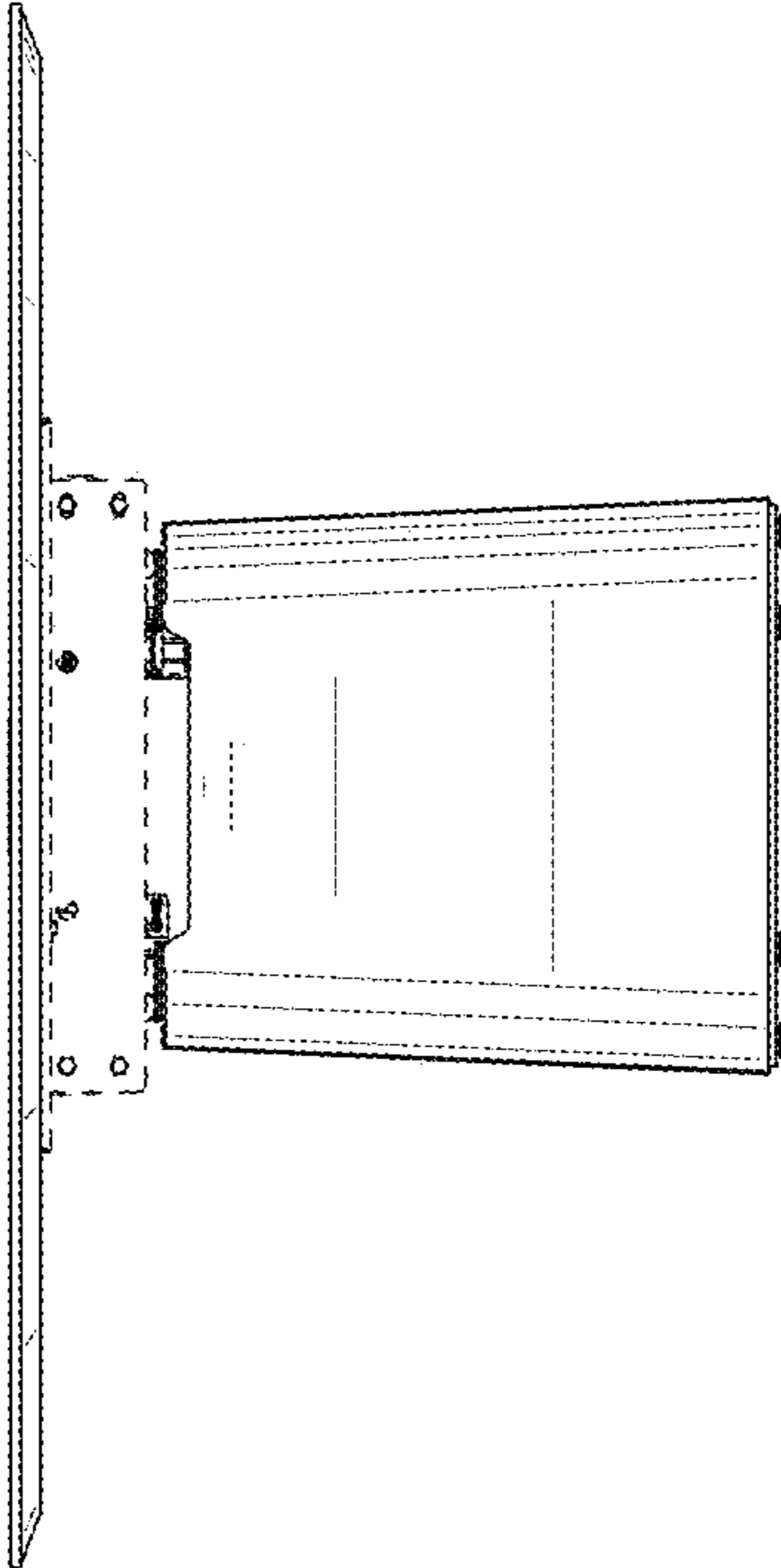


FIG. 5

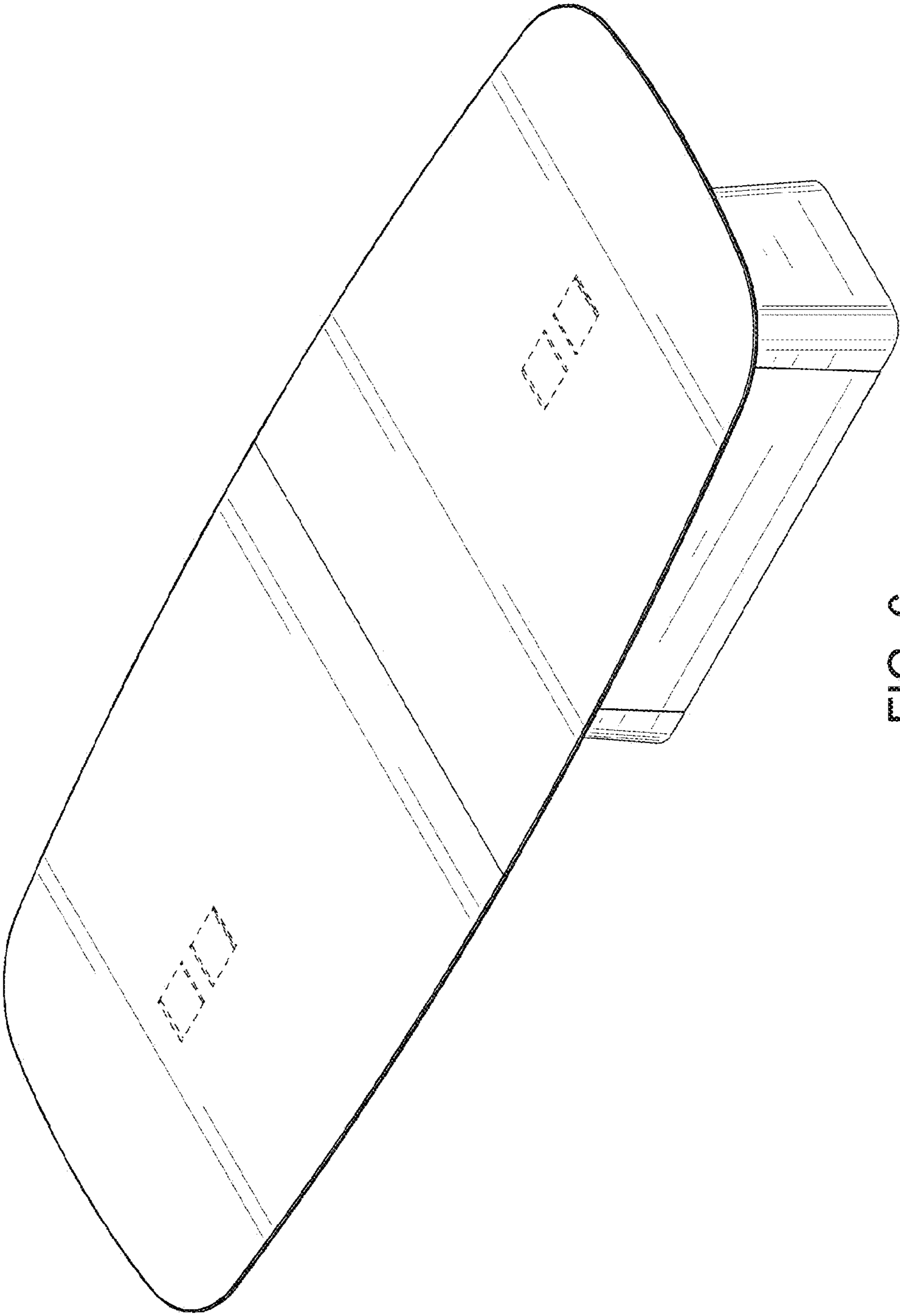


FIG. 6

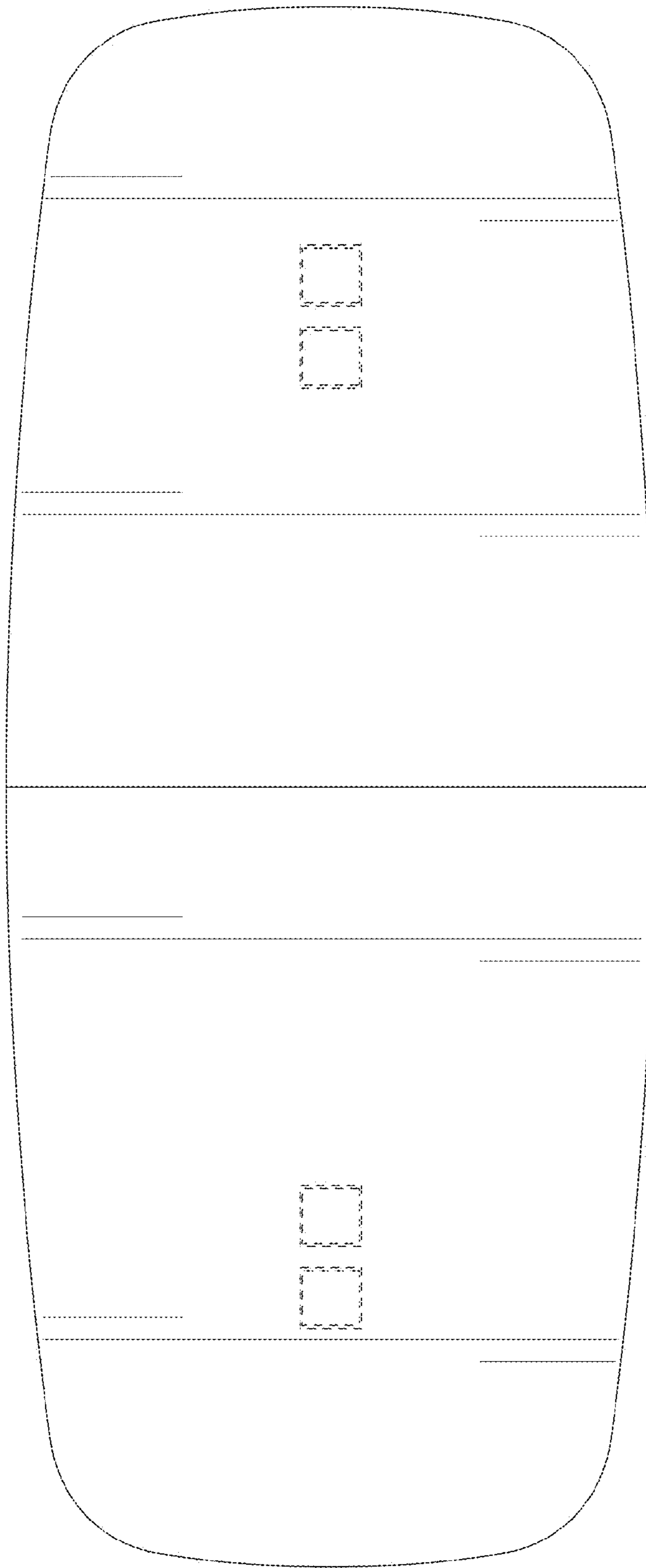


FIG. 7

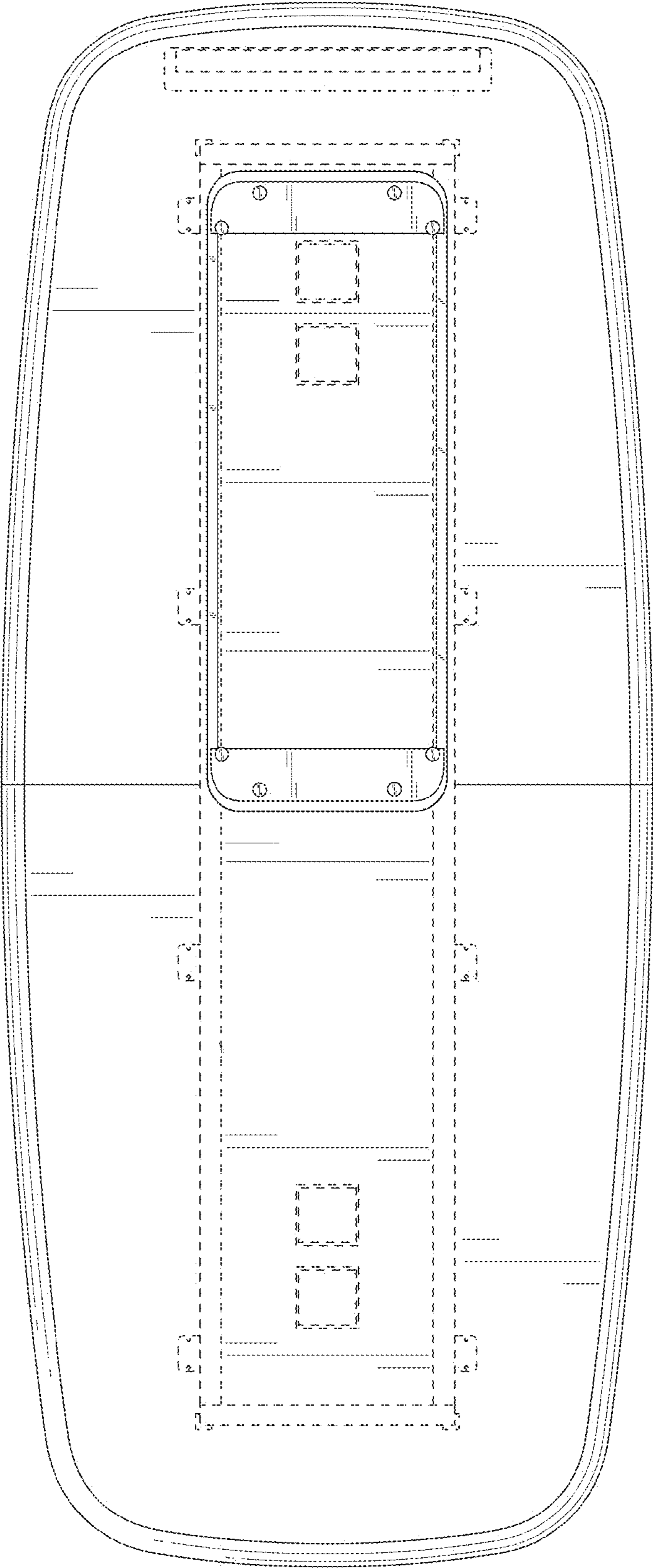


FIG. 8

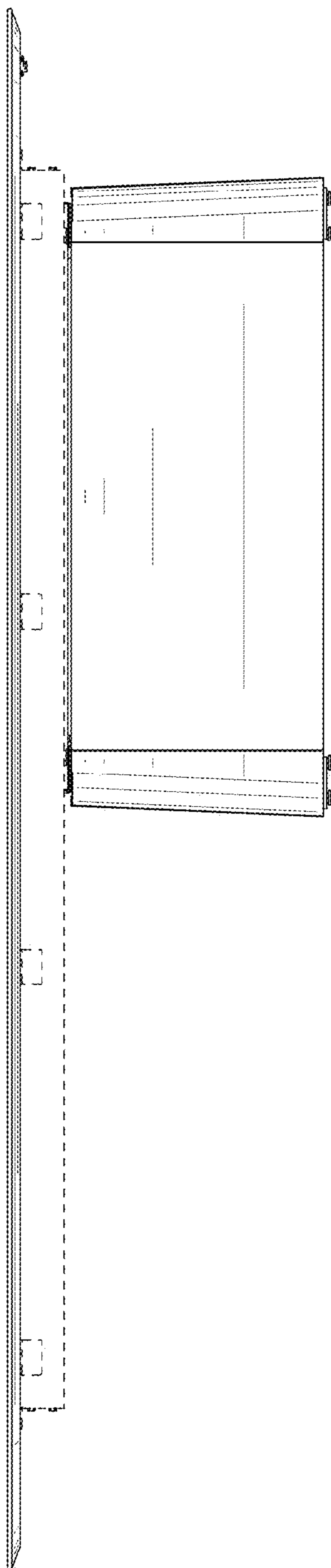


FIG. 9

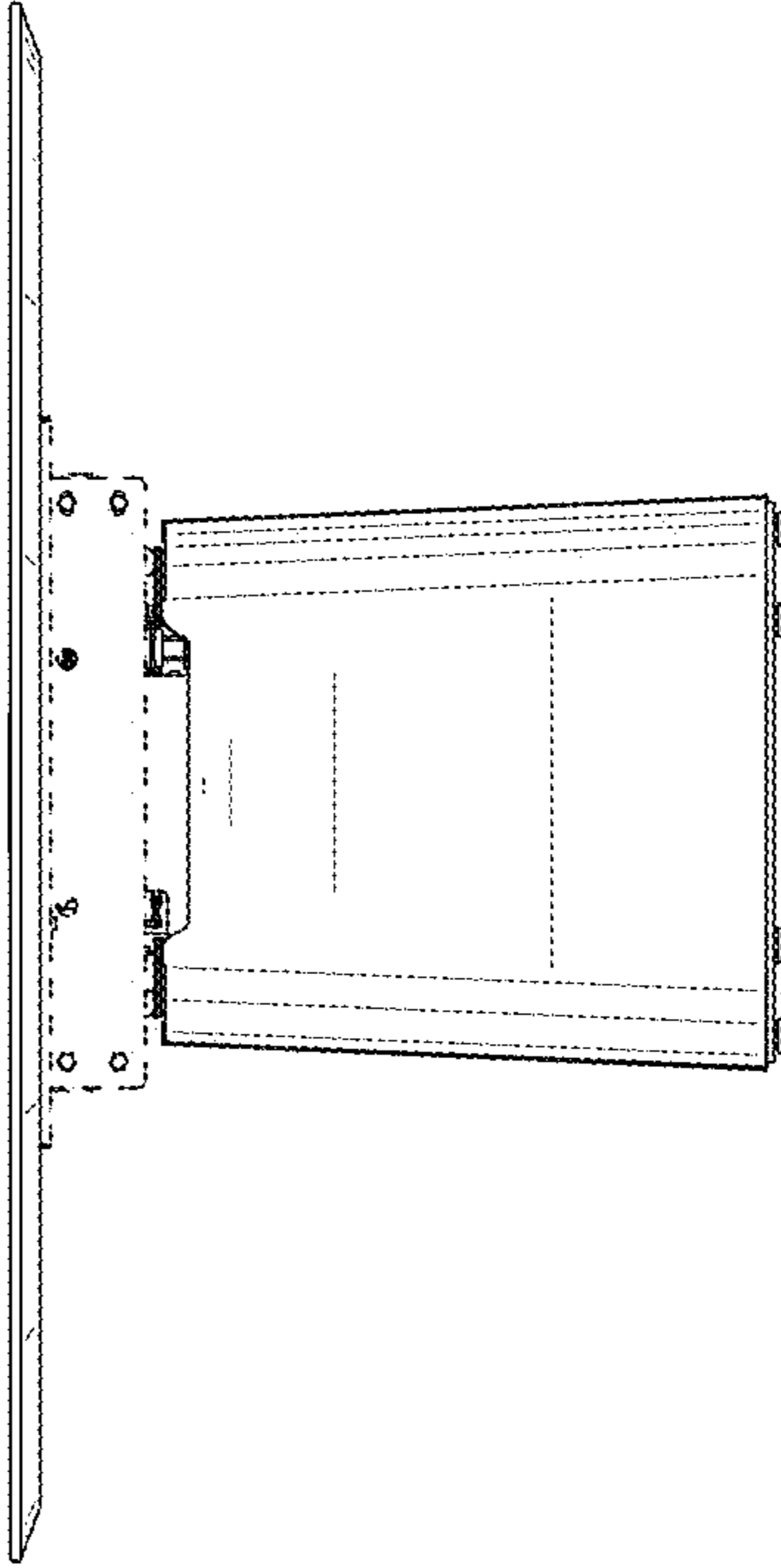


FIG. 10