



US00D687654S

(12) **United States Design Patent**
Jalan

(10) **Patent No.:** **US D687,654 S**

(45) **Date of Patent:** **** Aug. 13, 2013**

(54) **REVERSIBLE SHEET**

(75) Inventor: **Neeraj Jalan**, Mumbai (IN)

(73) Assignee: **GHCL Limited**, Uttar Pradesh (IN)

(**) Term: **14 Years**

(21) Appl. No.: **29/430,819**

(22) Filed: **Aug. 30, 2012**

(51) **LOC (9) Cl.** **06-09**

(52) **U.S. Cl.**
USPC **D6/602**

(58) **Field of Classification Search**
USPC D6/596, 602, 603, 608, 597; 5/482,
5/485, 486, 488, 495-502, 417, 420
See application file for complete search history.

(56) **References Cited**

U.S. PATENT DOCUMENTS

1,425,952	A *	8/1922	Fidler	5/485
4,005,499	A *	2/1977	Klein	5/485
4,384,380	A *	5/1983	Glaha et al.	5/485
D589,735	S *	4/2009	Kaiser et al.	D6/602
2005/0273930	A1	12/2005	Phillipps		
2006/0195985	A1 *	9/2006	Keith	5/502
2006/0282950	A1	12/2006	Shuster et al.		

* cited by examiner

Primary Examiner — Janice Seeger

(74) *Attorney, Agent, or Firm* — Buchanan Ingersoll & Rooney PC

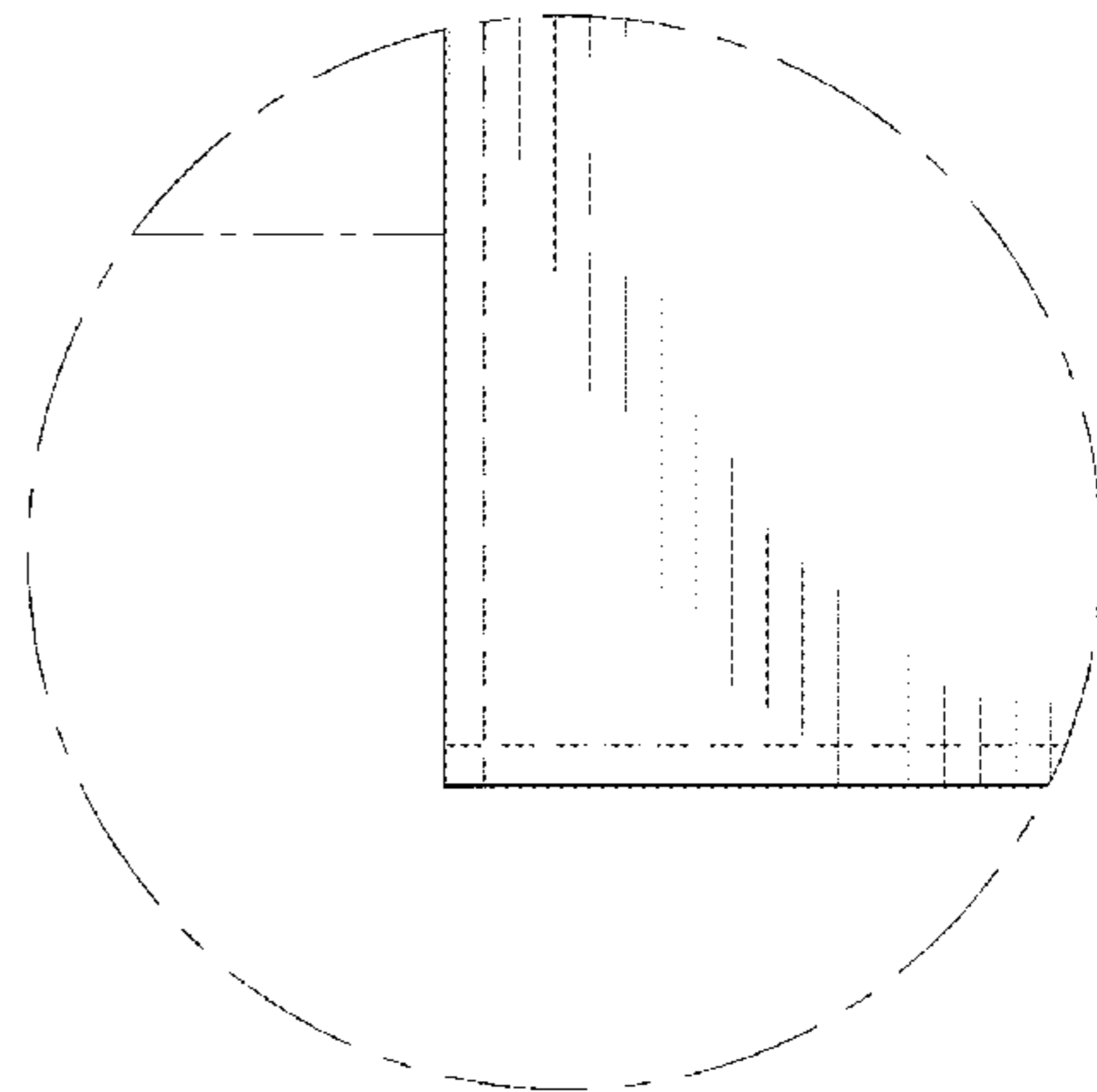
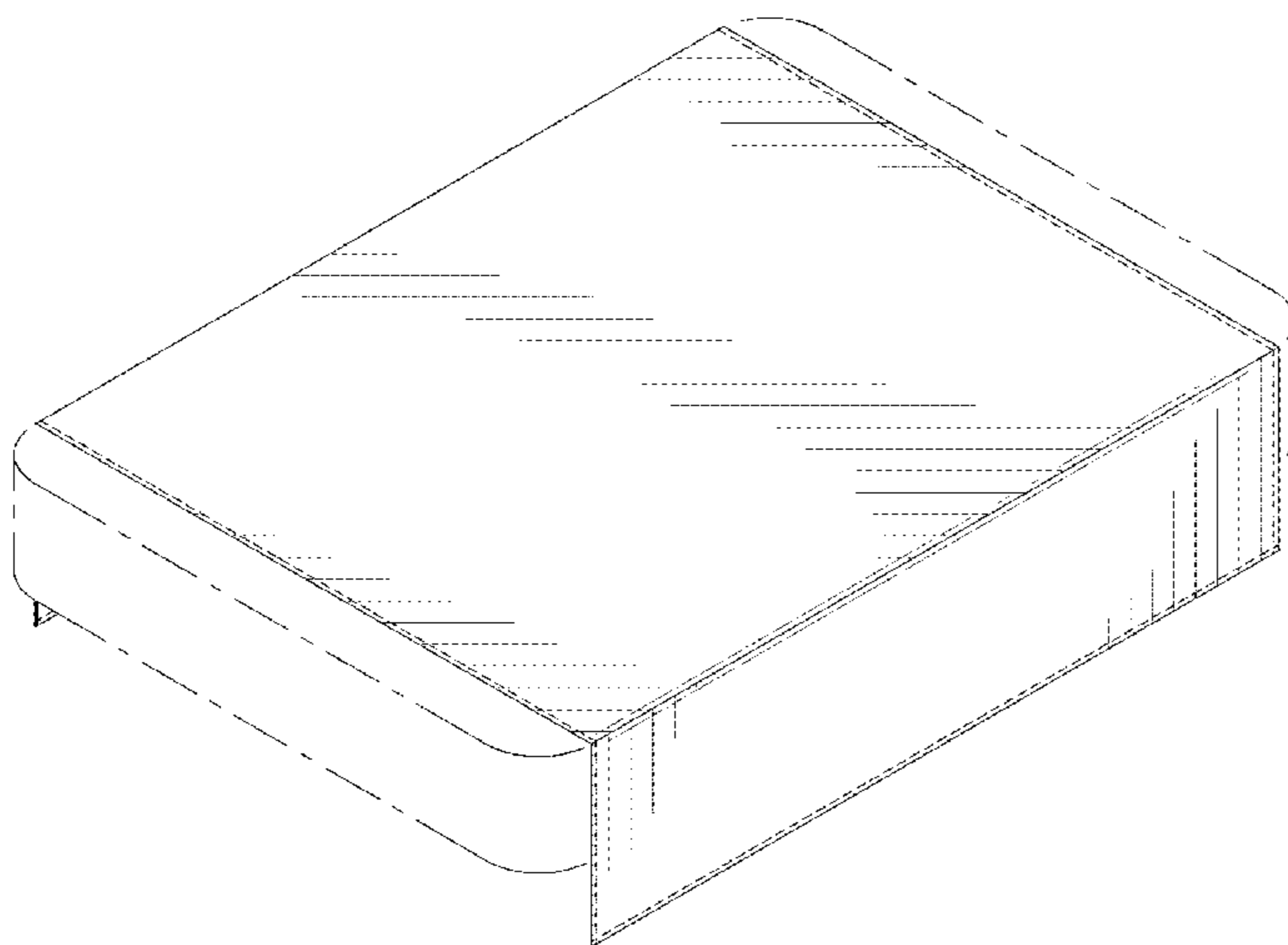
(57) **CLAIM**

The ornamental design for a reversible sheet, as shown and described.

DESCRIPTION

FIG. 1 is a perspective view of the top of my reversible sheet as it would appear when draped over a mattress;
 FIG. 2 is an end view thereof;
 FIG. 3 is a side view of my reversible sheet as shown in FIG. 1;
 FIG. 4 is a top view thereof;
 FIG. 5 is a top plan view showing the sheet in reversed position with the bottom sheet facing up;
 FIG. 6 is a side view of my reversible sheet when positioned as shown in FIG. 5.
 FIG. 7 is an enlarged view, of a portion of the top of my reversible sheet within the circle drawn in broken line in FIG. 3 showing the stitching at the corner; and,
 FIG. 8 is an enlarged view of a portion of the bottom of my reversible sheet within the circle drawn in broken line in FIG. 6 showing the stitching at the corner.
 Portions of a mattress over which my reversible sheet has been placed are shown in broken line in drawings and form no part of the claimed design.
 The dash lines in FIGS. 1 and 3 through 8 indicate stitching.

1 Claim, 3 Drawing Sheets



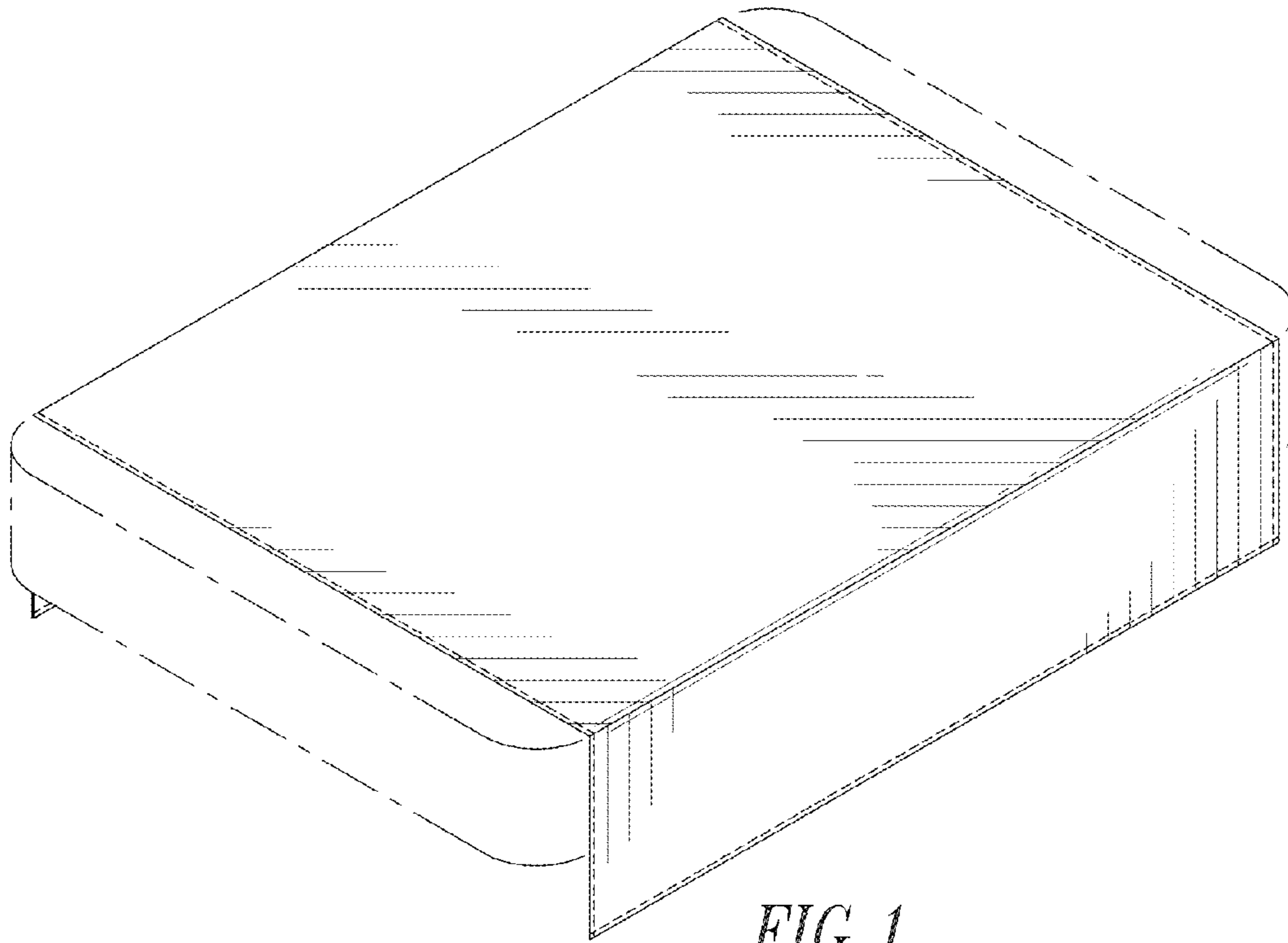


FIG. 1

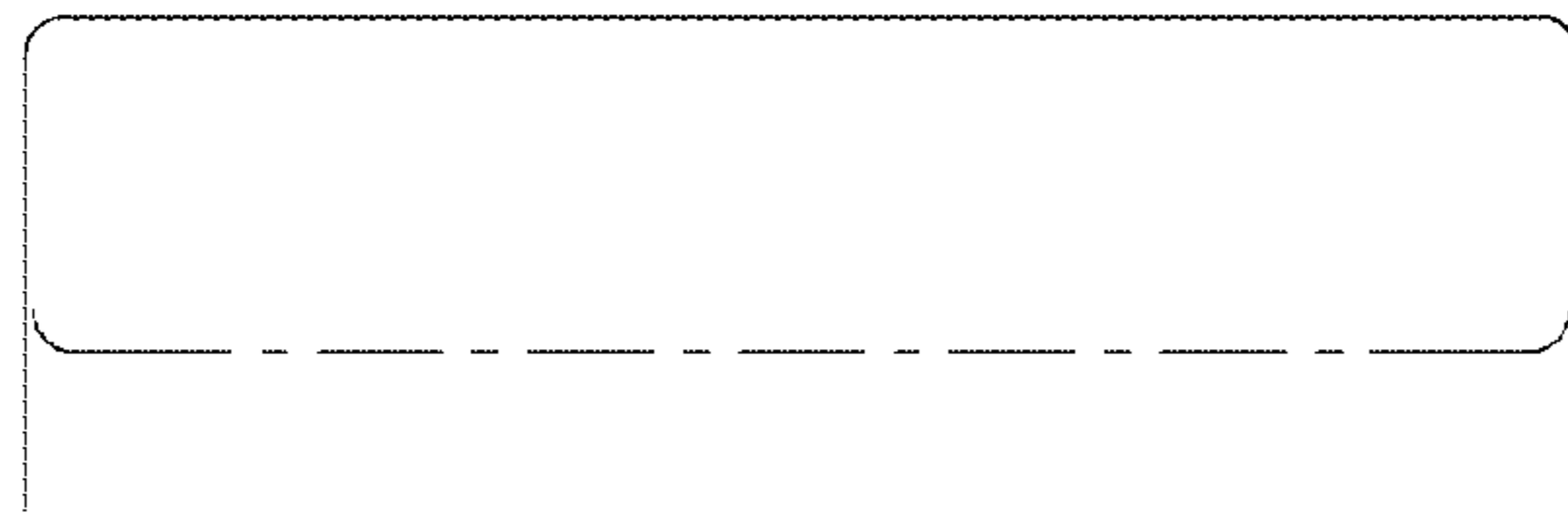


FIG. 2

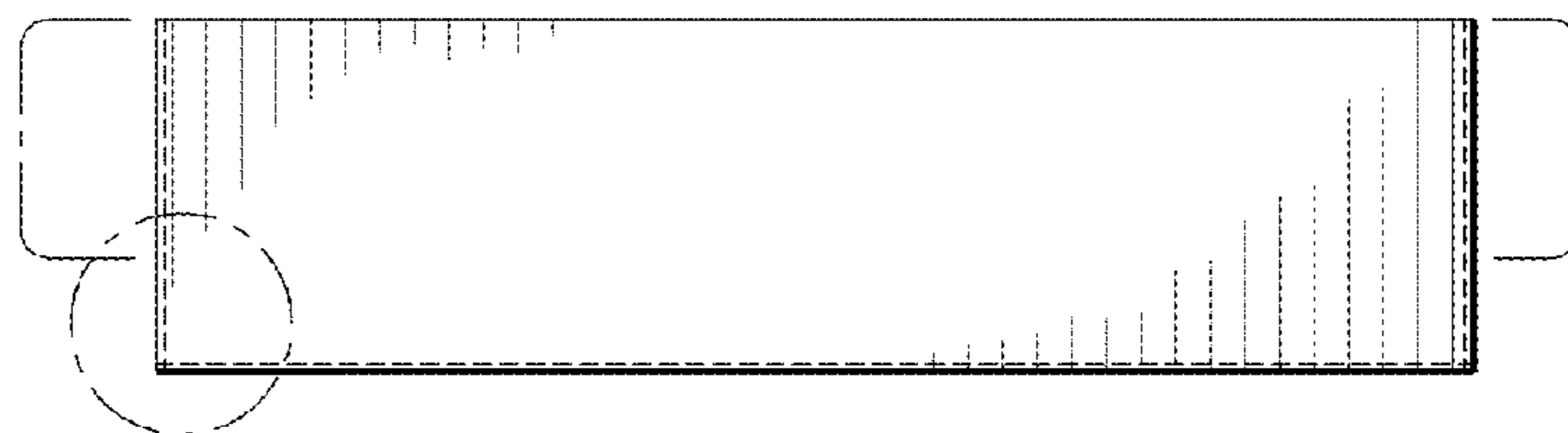


FIG. 3

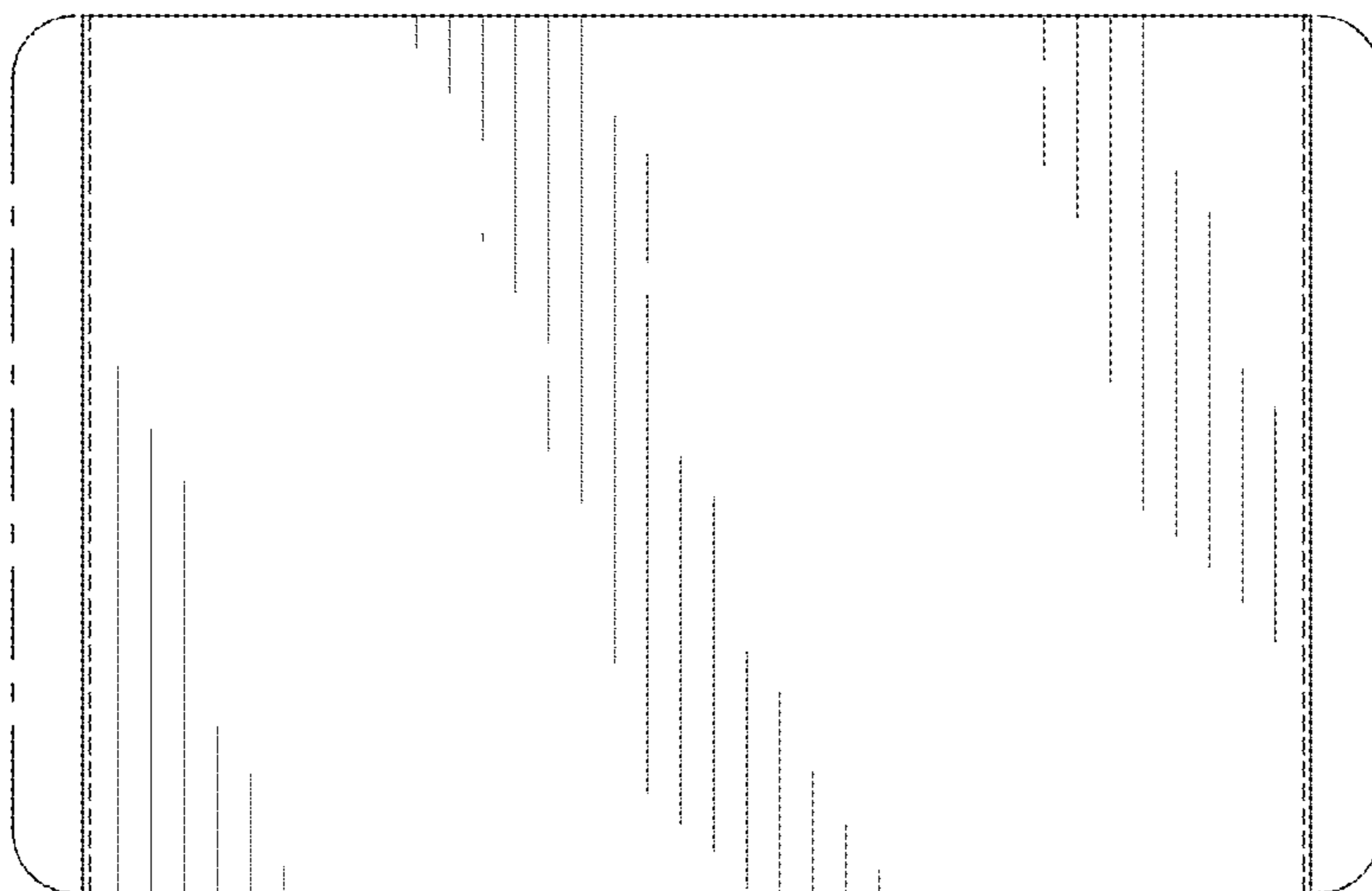


FIG. 4

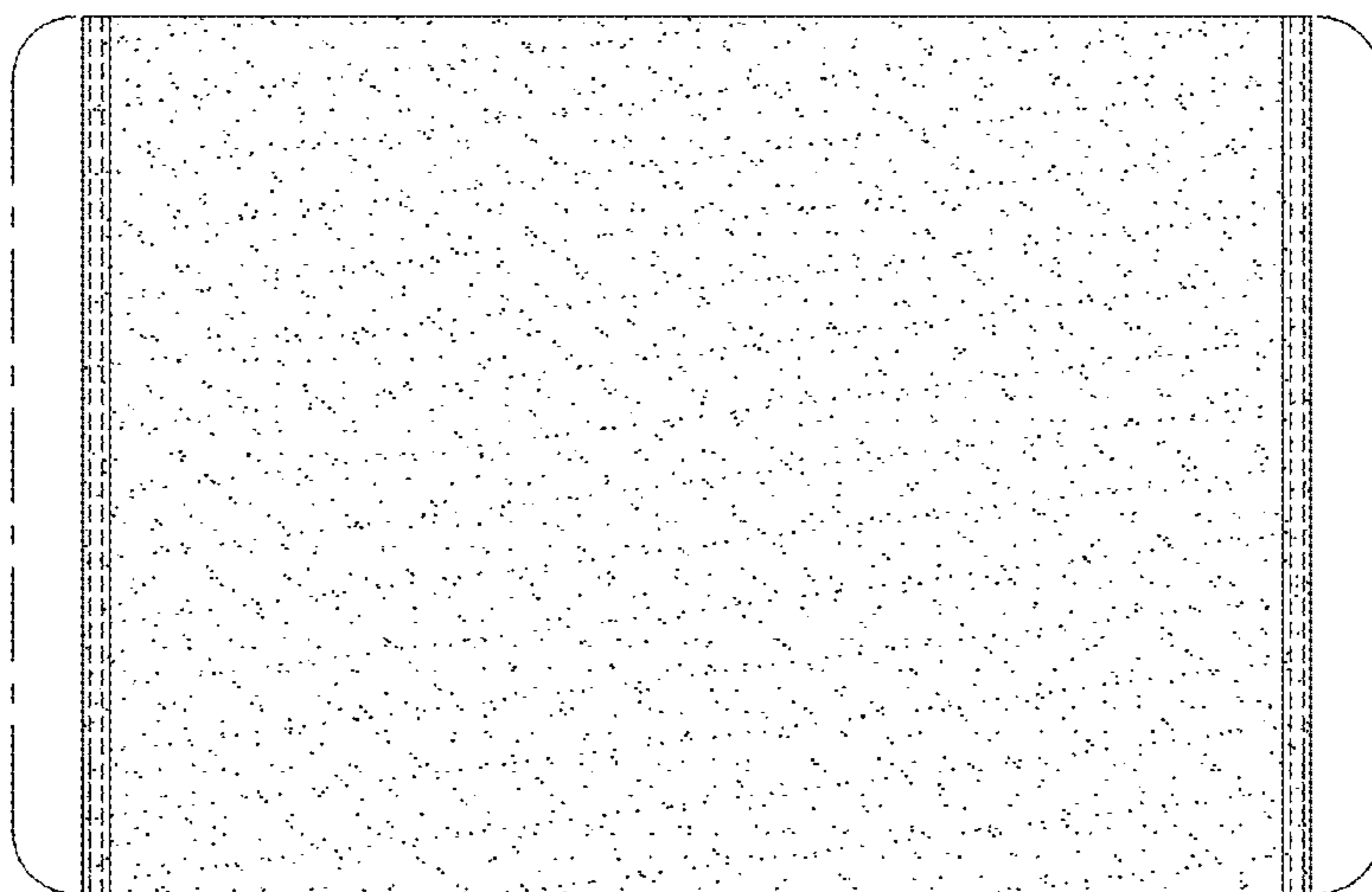


FIG. 5

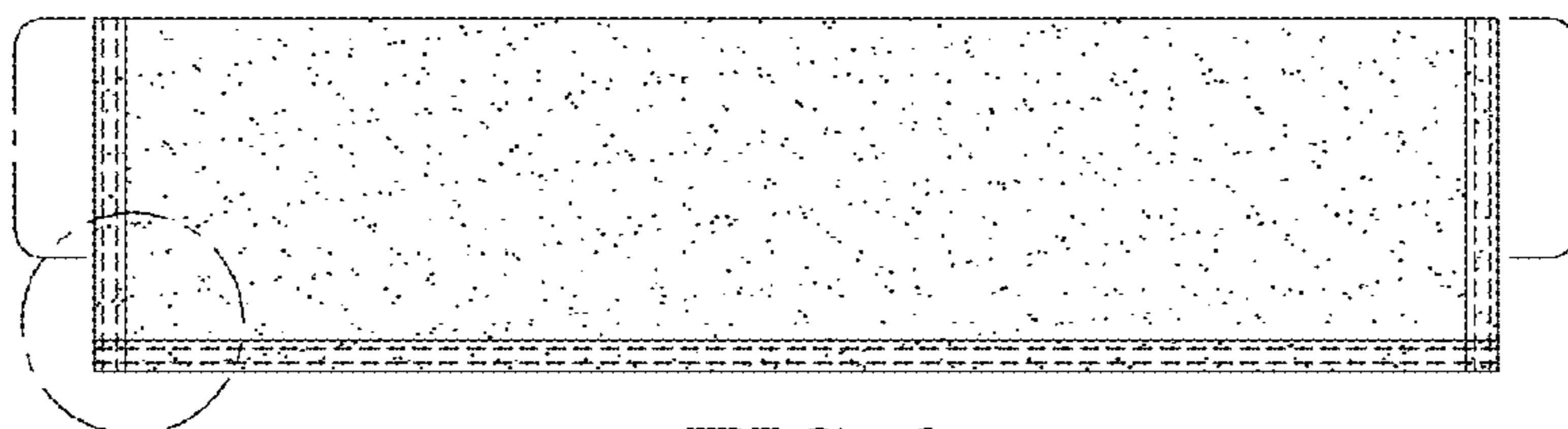


FIG. 6

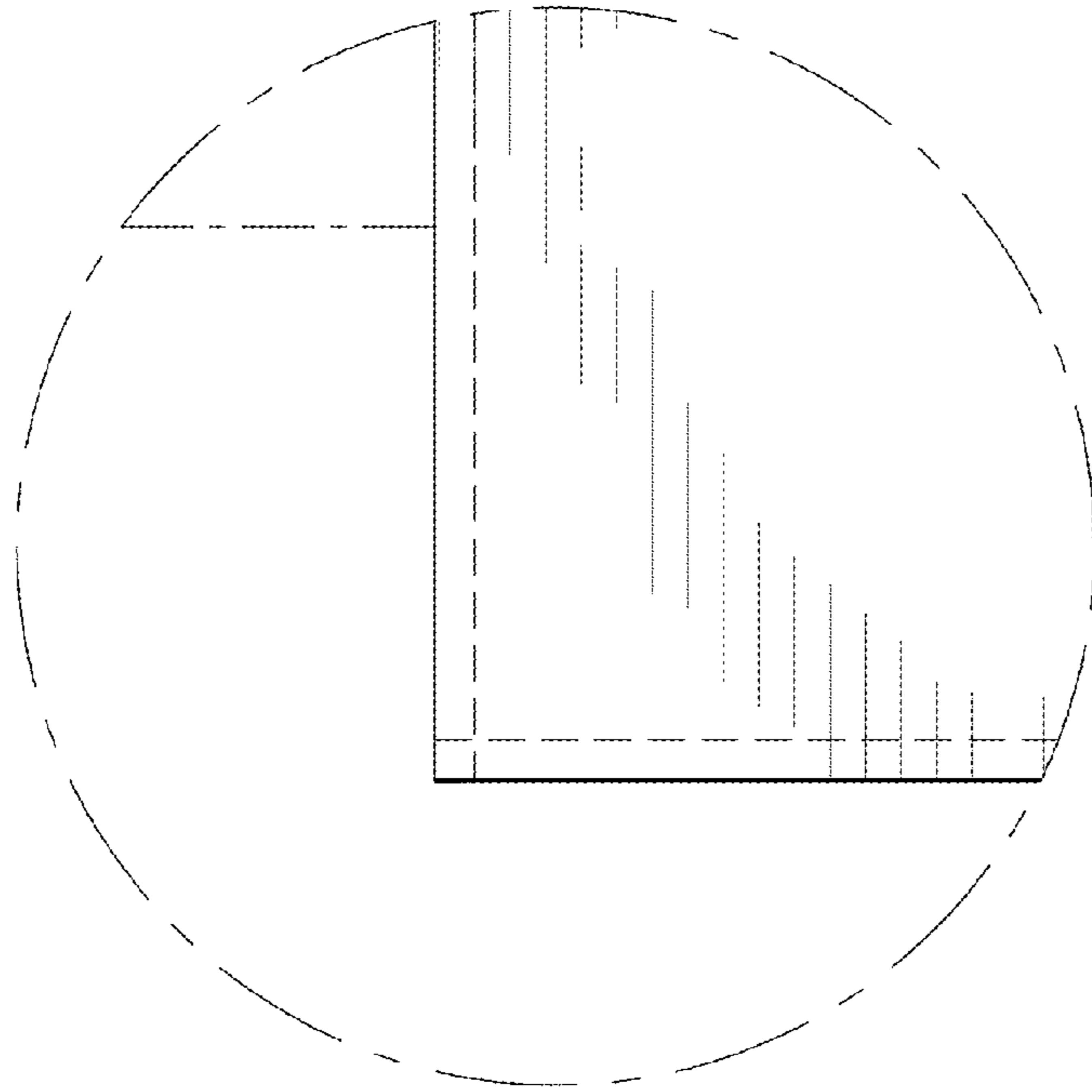


FIG. 7

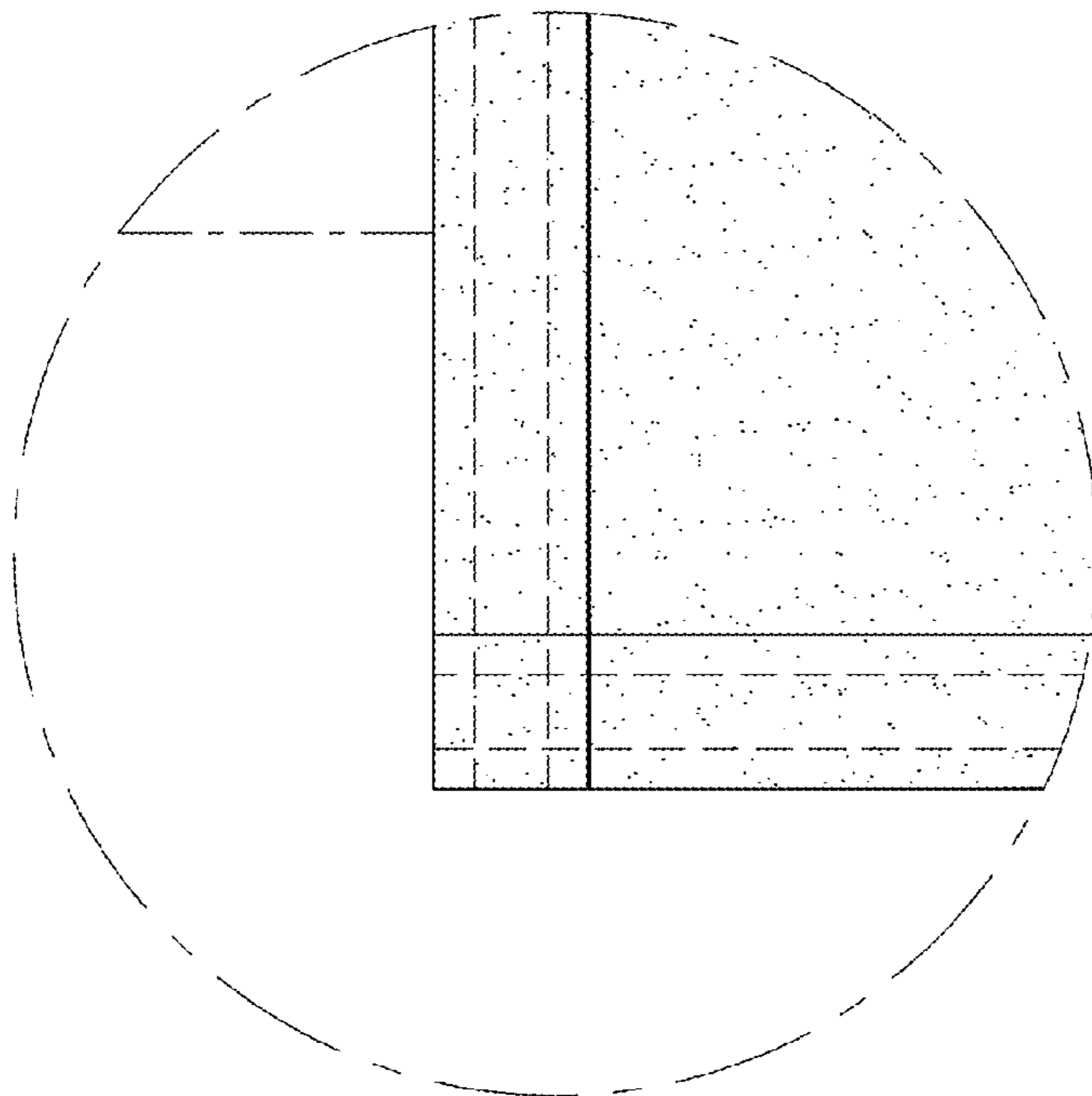


FIG. 8