



US00D687649S

(12) **United States Design Patent**
Kozak

(10) **Patent No.:** **US D687,649 S**
(45) **Date of Patent:** **** Aug. 13, 2013**

(54) **PRODUCT DISPLAY RACK**

DESCRIPTION

(71) Applicant: **Burton Kozak**, Chicago, IL (US)
(72) Inventor: **Burton Kozak**, Chicago, IL (US)
(**) Term: **14 Years**
(21) Appl. No.: **29/437,828**
(22) Filed: **Nov. 21, 2012**
(51) **LOC (9) Cl.** **06-02**
(52) **U.S. Cl.**
USPC **D6/510**
(58) **Field of Classification Search**
USPC D6/510–511, 512–514, 315, 320,
D6/327, 553, 566–567, 569; D8/349, 354,
D8/367, 372; 248/301–304, 309.1–309.2;
211/13.1, 30, 32, 70.6, 56.01, 82.01, 181.1
See application file for complete search history.

FIG. 1 is a front and side perspective view of a first embodiment of a product display rack according to the present invention;
FIG. 2 is an elevation left side view (when viewed from the front) of the product display rack of FIG. 1. The right side view is a mirror image thereof.
FIG. 3 is an elevation front view of the product display rack of FIG. 1.
FIG. 4 is an elevation back view of the product display rack of FIG. 1.
FIG. 5 is a top view of the product display rack of FIG. 1.
FIG. 6 is a bottom view of the product display rack of FIG. 1.
FIG. 7 is a front and side perspective view of a second embodiment of a product display rack according to the present invention;
FIG. 8 is an elevation left side view (when viewed from the front) of the product display rack of FIG. 7. The right side view is a mirror image thereof.
FIG. 9 is an elevation back view of the product display rack of FIG. 7.
FIG. 10 is a top view of the product display rack of FIG. 7.
FIG. 11 is a bottom view of the product display rack of FIG. 7.
FIG. 12 is a front and side perspective view of a third embodiment of a product display rack according to the present invention.
FIG. 13 is an elevation front view of the product display rack of FIG. 12.
FIG. 14 is an elevation back view of the product display rack of FIG. 12.
FIG. 15 is a top view of the product display rack of FIG. 12; and
FIG. 16 is a bottom view of the product display rack of FIG. 12.
The break lines shown in FIGS. 12 through 16 are not part of the claimed design and represent that no particular length is claimed.

(56) **References Cited**

U.S. PATENT DOCUMENTS

D200,617 S * 3/1965 Smith D6/566
3,288,303 A * 11/1966 Dahl 211/51
4,072,246 A * 2/1978 Paulin 221/307
D275,434 S * 9/1984 Taub D6/511
4,694,966 A * 9/1987 Sorenson et al. 211/88.01
D298,713 S * 11/1988 Hinderaker et al. D6/552

(Continued)

OTHER PUBLICATIONS

U.S. Appl. No. 29/422,218, filed May 17, 2012.

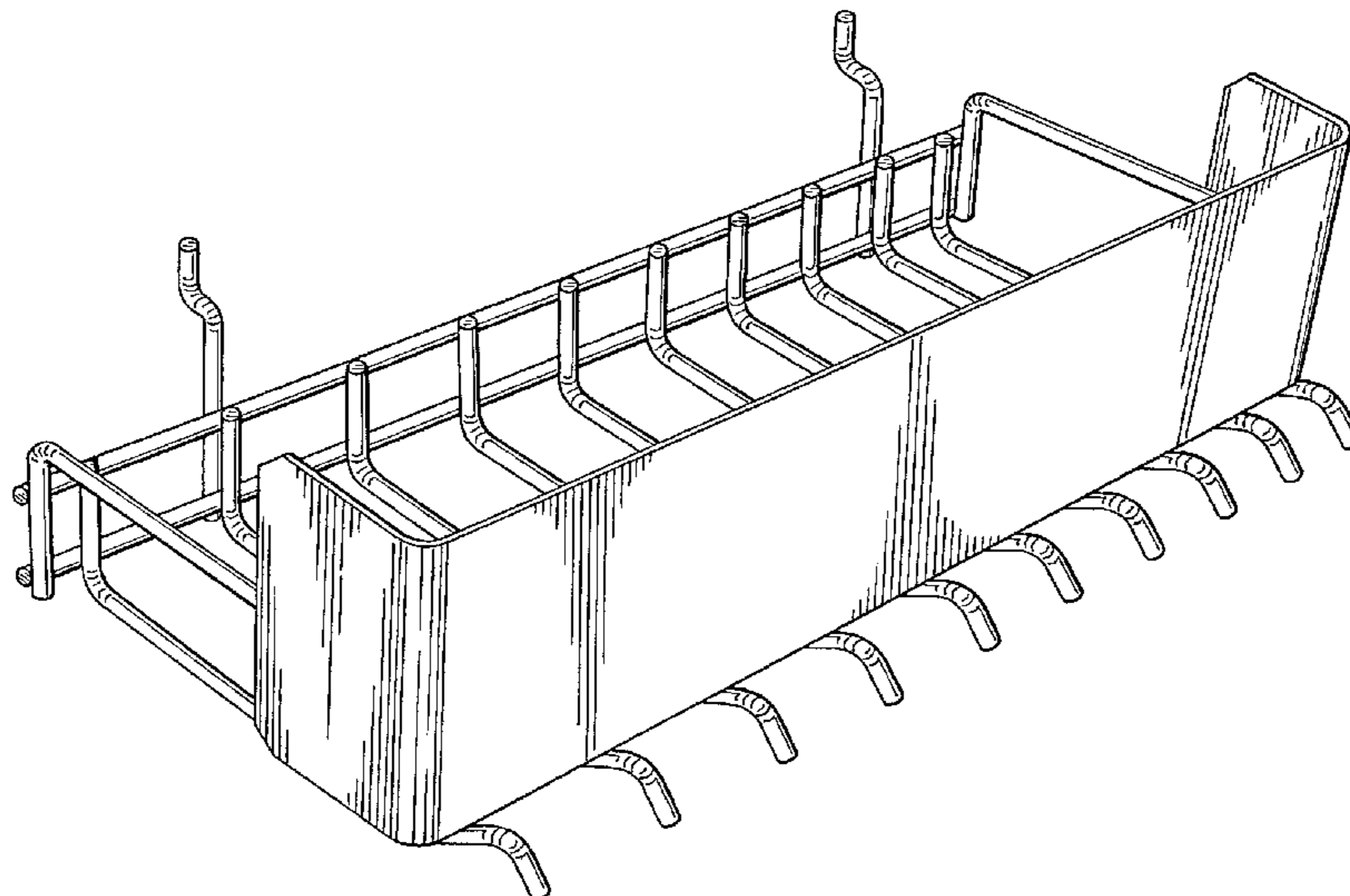
Primary Examiner — Kelley Donnelly

(74) *Attorney, Agent, or Firm* — Factor Intellectual Property Law Group

(57) **CLAIM**

The ornamental design of a product display rack, as shown.

1 Claim, 12 Drawing Sheets



US D687,649 S

Page 2

U.S. PATENT DOCUMENTS

| | | | | | | | | | |
|-----------|------|---------|-----------------------|----------|--------------|-----|---------|-------------------|----------|
| 5,133,463 | A * | 7/1992 | Merl | 211/190 | D547,955 | S * | 8/2007 | Johnson et al. | D6/566 |
| D330,987 | S * | 11/1992 | Rosenthal | D6/566 | D636,203 | S * | 4/2011 | Kozak et al. | D6/566 |
| D356,916 | S * | 4/1995 | Chadwick | D6/566 | D637,852 | S * | 5/2011 | Black, Jr. et al. | D6/572 |
| 5,449,076 | A * | 9/1995 | Van Noord | 211/59.3 | D639,592 | S * | 6/2011 | Spencer et al. | D6/566 |
| 5,641,083 | A * | 6/1997 | Metcalf | 211/187 | D651,031 | S | 12/2011 | Kozak | |
| D381,854 | S * | 8/1997 | Moeller et al. | D6/566 | D651,437 | S * | 1/2012 | Zurn | D6/566 |
| D418,349 | S * | 1/2000 | Schumacher | D6/566 | D661,935 | S * | 6/2012 | Kozak et al. | D6/566 |
| 6,092,674 | A * | 7/2000 | Rothstein et al. | 211/59.1 | D671,779 | S * | 12/2012 | Kozak et al. | D6/566 |
| D457,014 | S * | 5/2002 | Miller | D6/462 | D671,780 | S * | 12/2012 | Kozak et al. | D6/566 |
| D458,501 | S * | 6/2002 | Battaglia et al. | D6/566 | D672,594 | S * | 12/2012 | Kozak et al. | D6/566 |
| D462,220 | S * | 9/2002 | Battaglia, Jr. et al. | D6/566 | D672,992 | S * | 12/2012 | Kozak et al. | D6/566 |
| 6,612,448 | B2 * | 9/2003 | Plutsky | 211/43 | D673,799 | S * | 1/2013 | Kozak et al. | D6/566 |
| D533,002 | S * | 12/2006 | Recknagel et al. | D6/566 | D677,077 | S * | 3/2013 | Selby | D6/678.4 |
| D533,745 | S * | 12/2006 | Rodrigue | D6/566 | D677,092 | S * | 3/2013 | Kozak et al. | D6/566 |
| D547,138 | S * | 7/2007 | Goodman et al. | D7/704 | 2010/0288714 | A1 | 11/2010 | Kozak | |

* cited by examiner

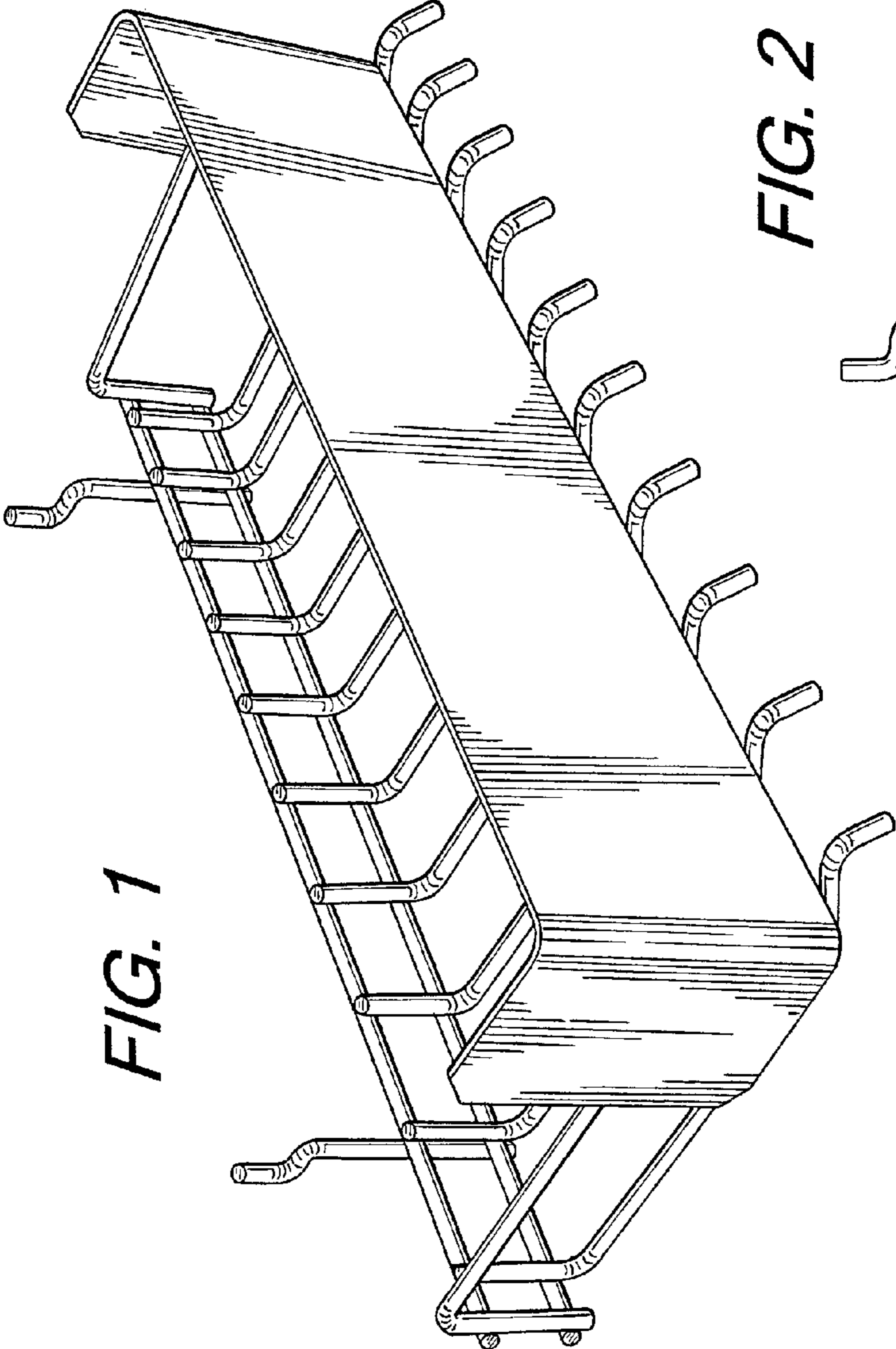


FIG. 1

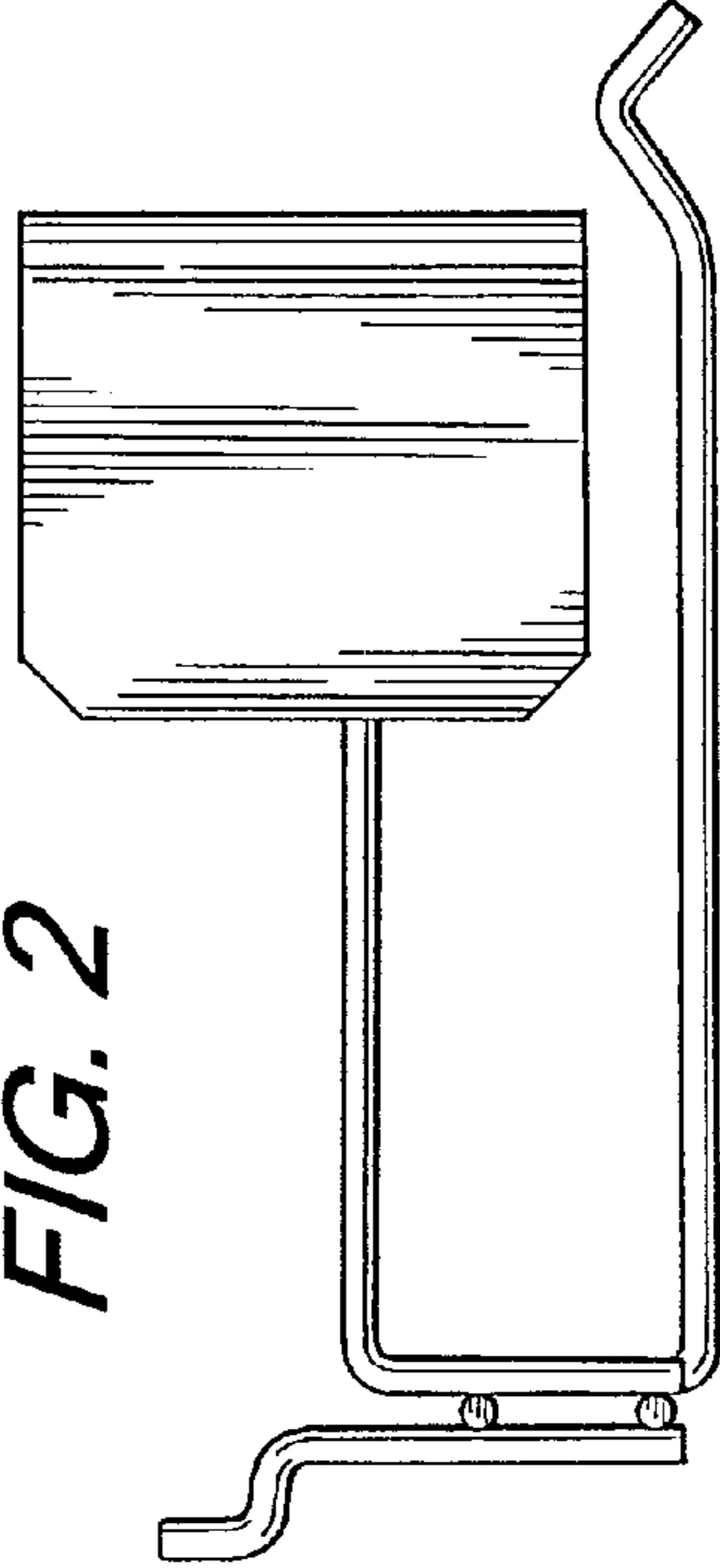


FIG. 2

FIG. 3

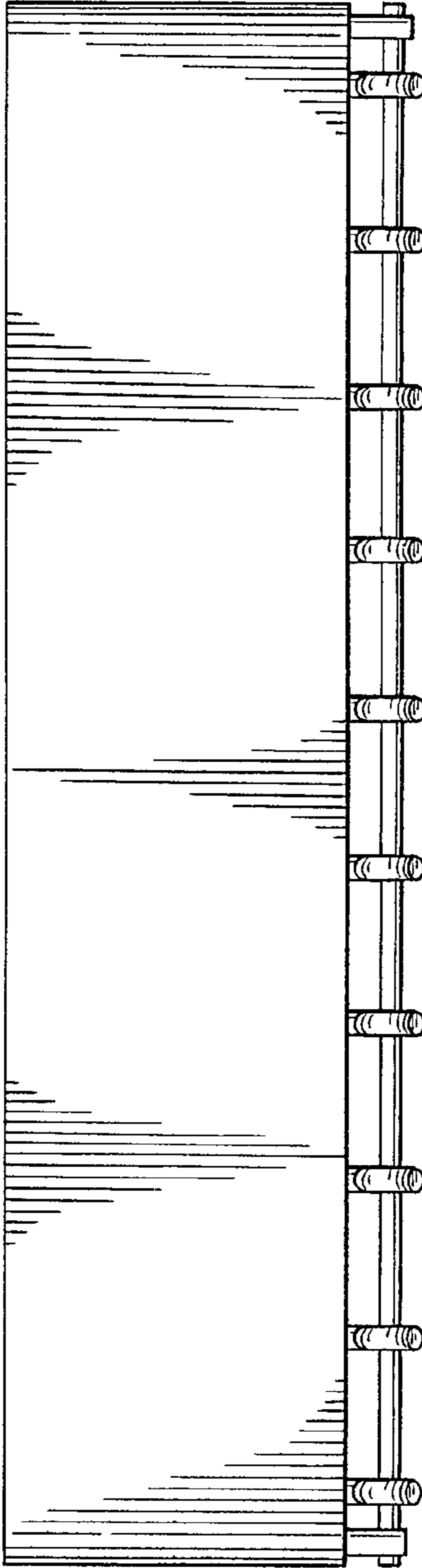


FIG. 4

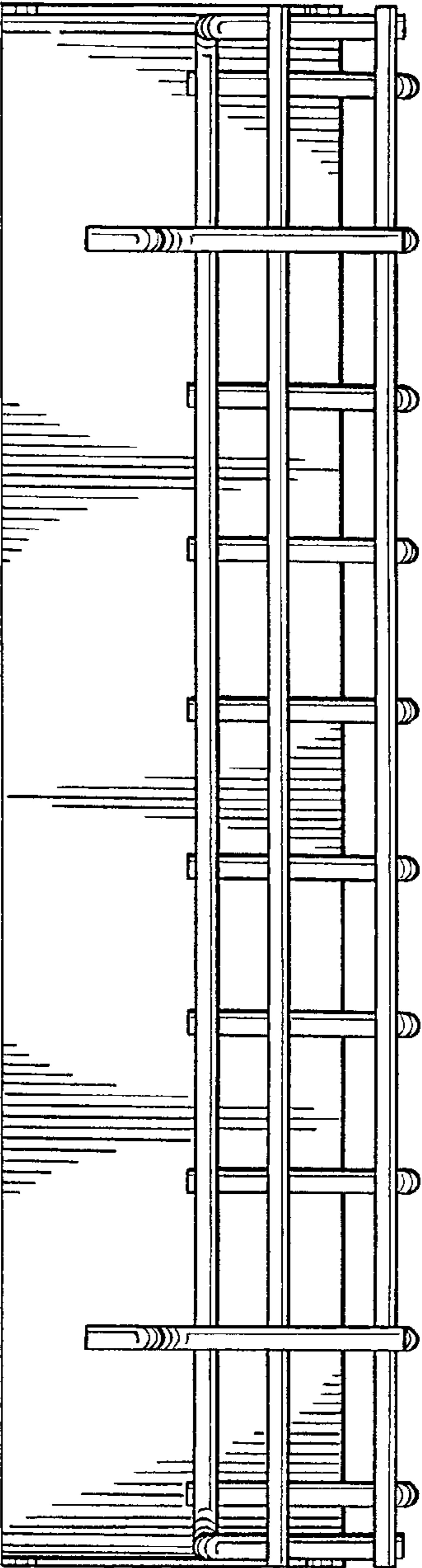


FIG. 5

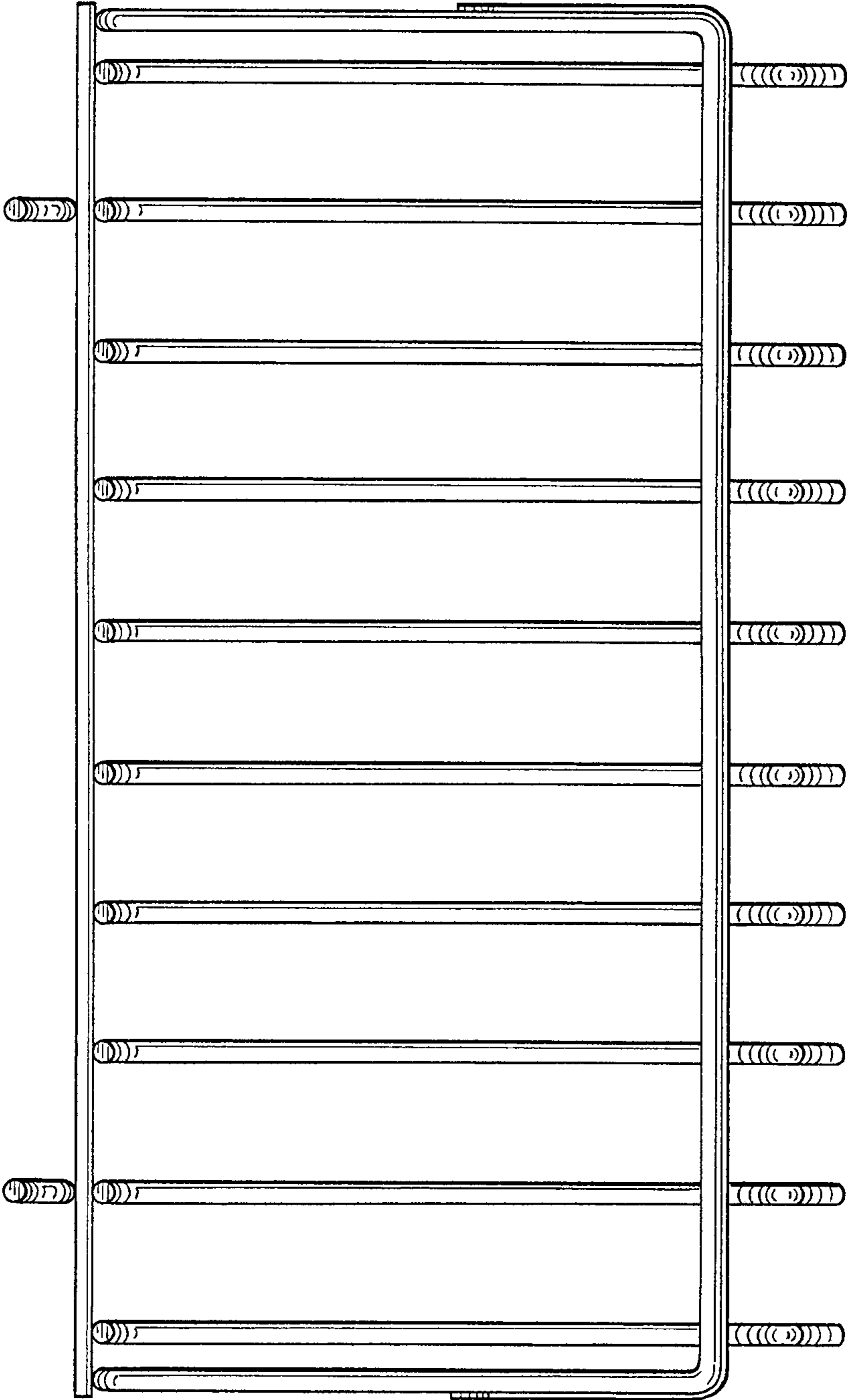
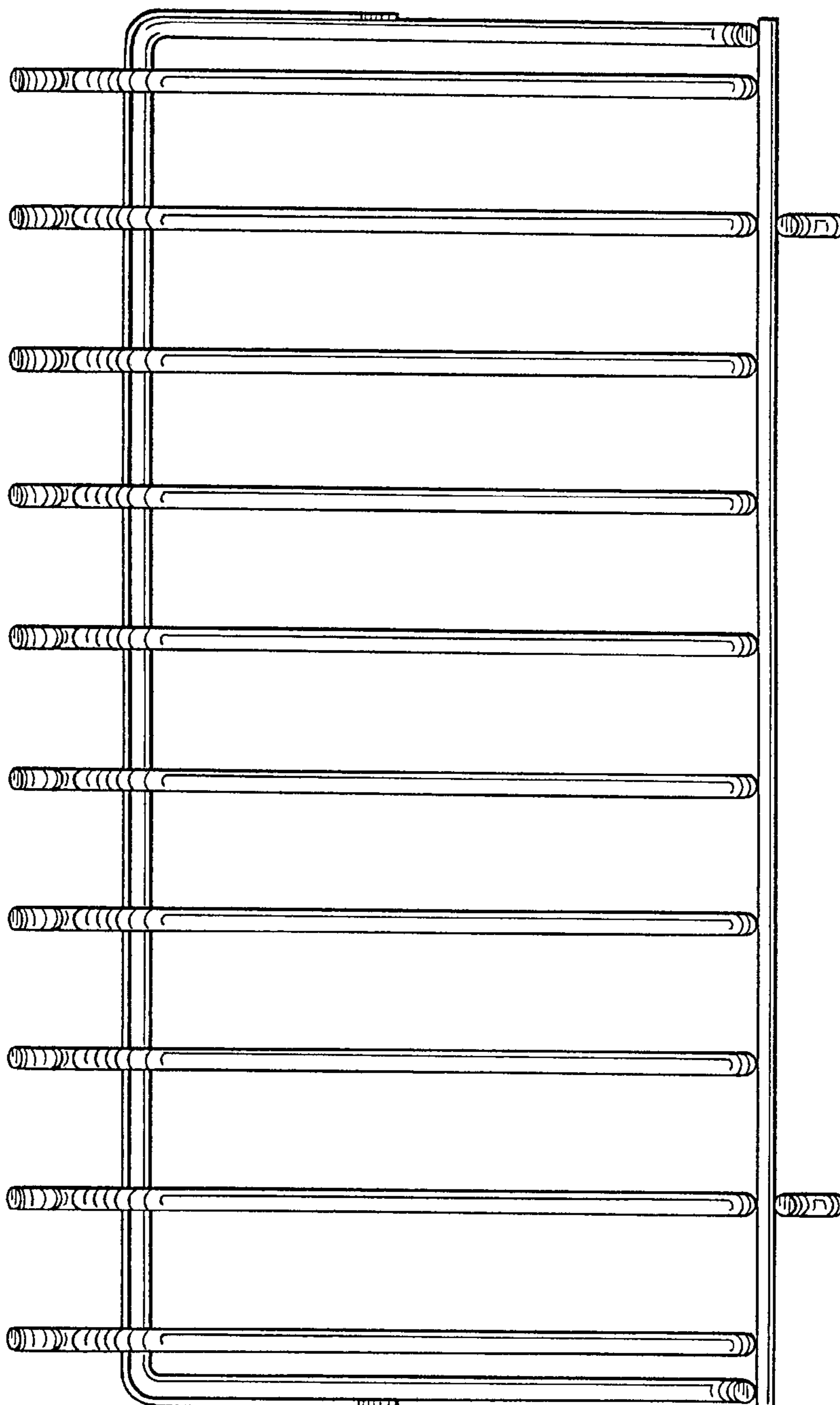


FIG. 6



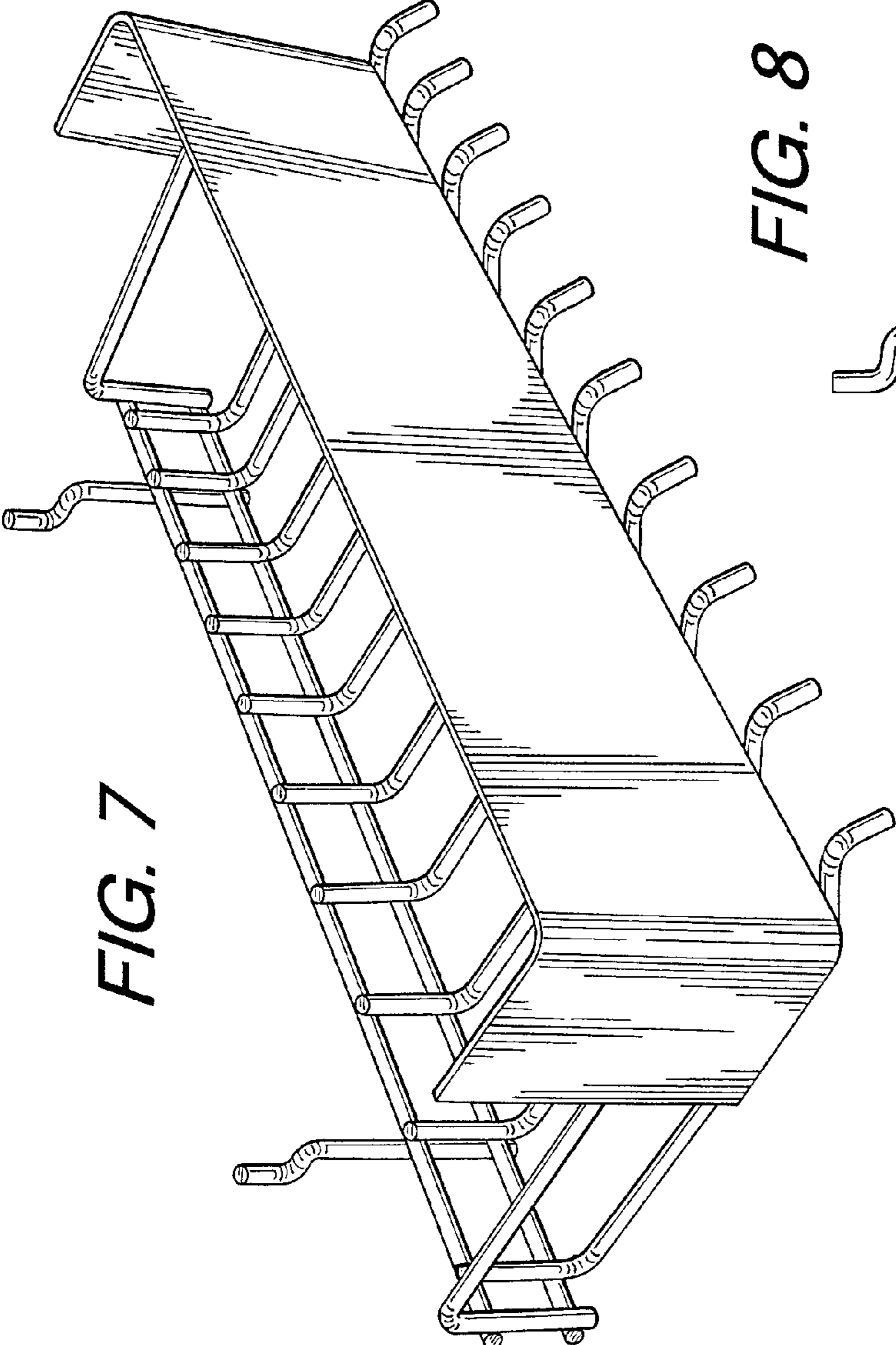


FIG. 7

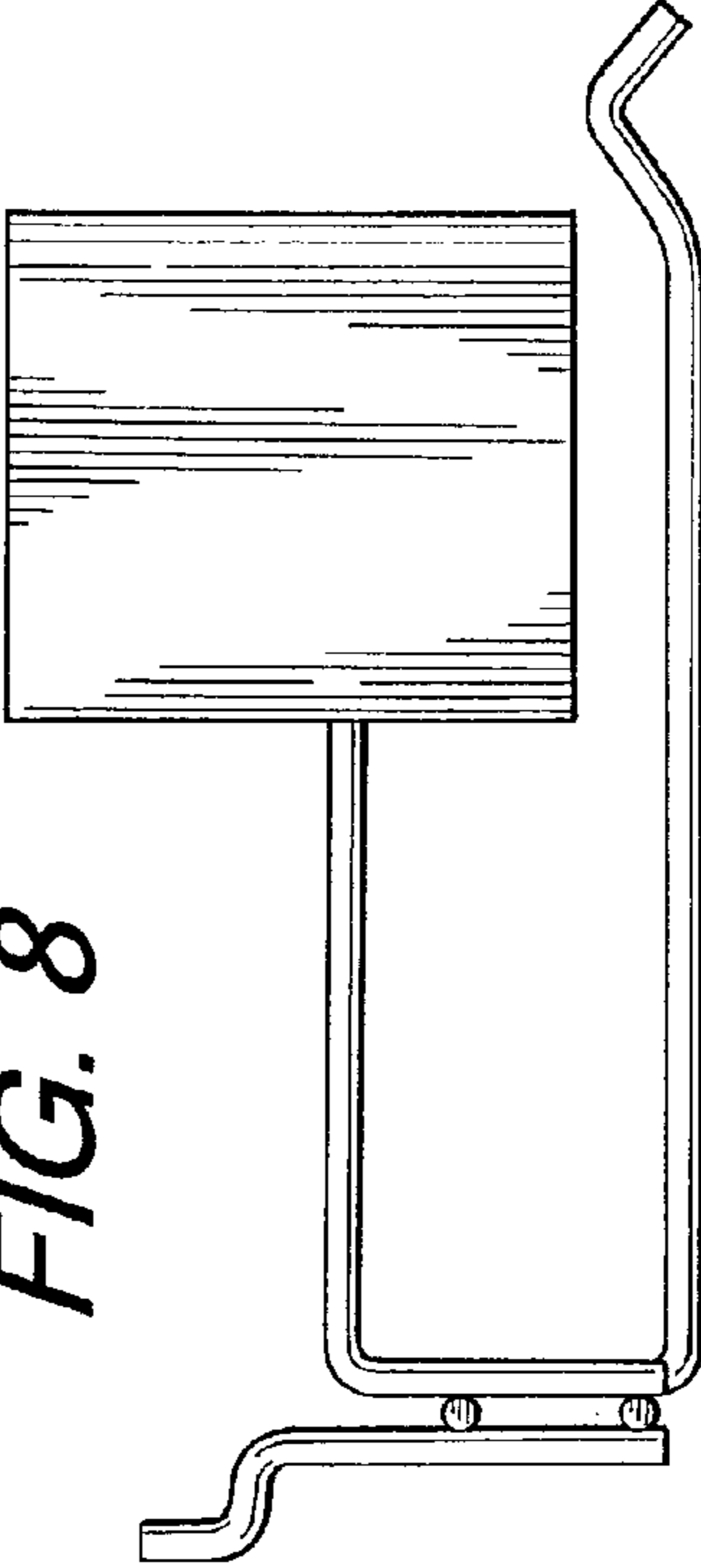


FIG. 8

FIG. 9

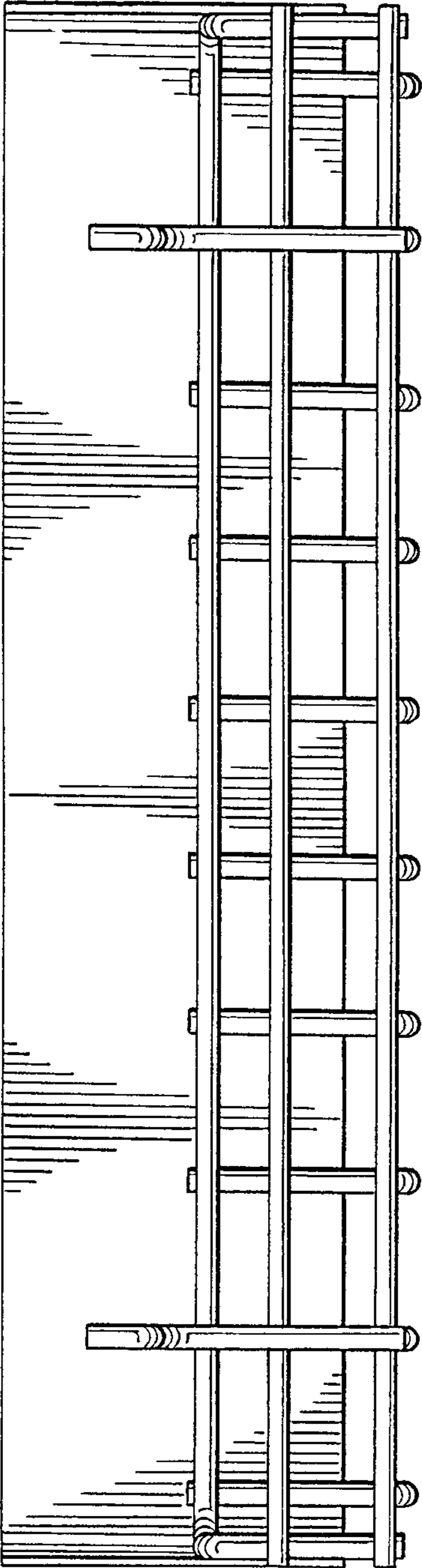


FIG. 10

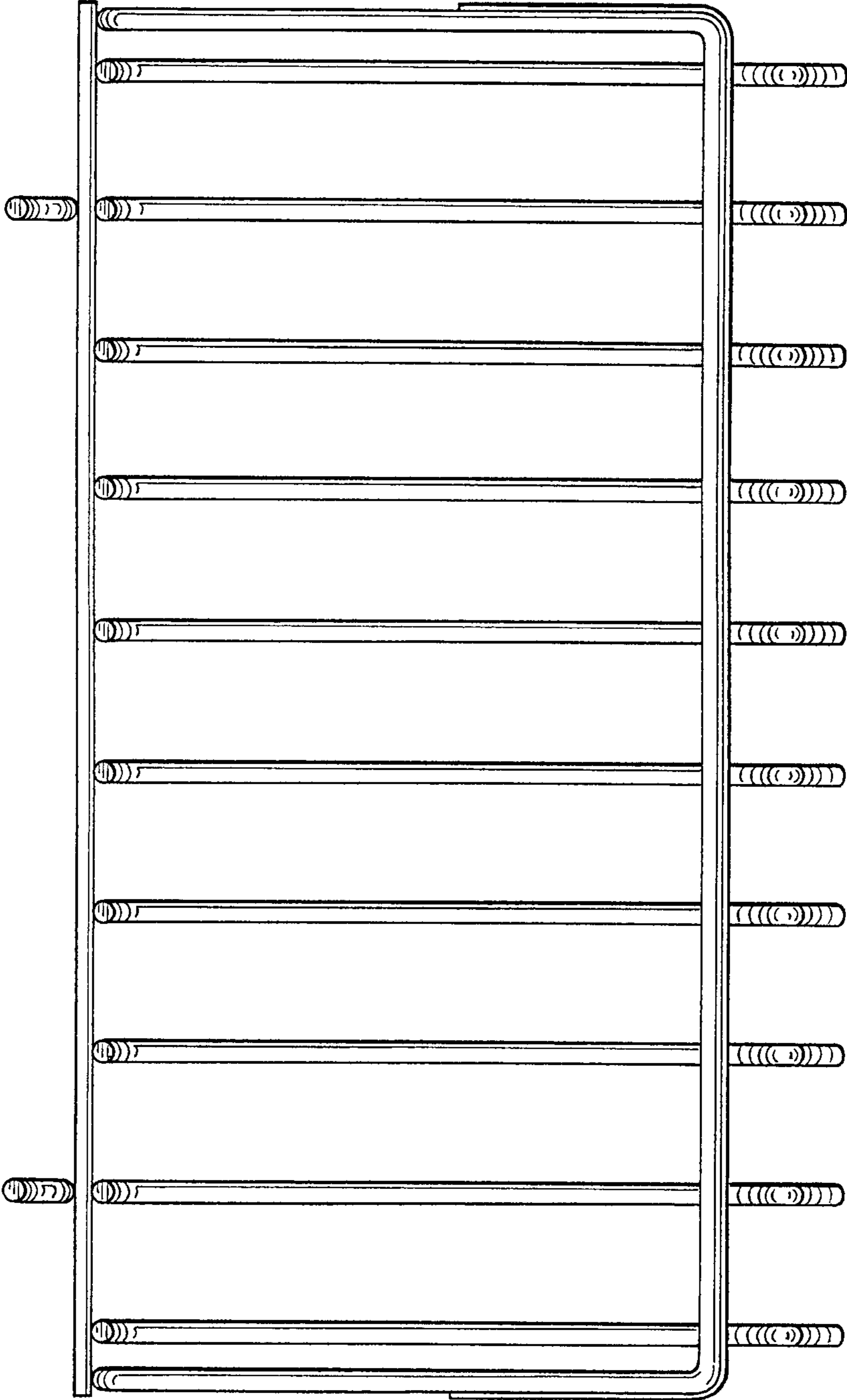
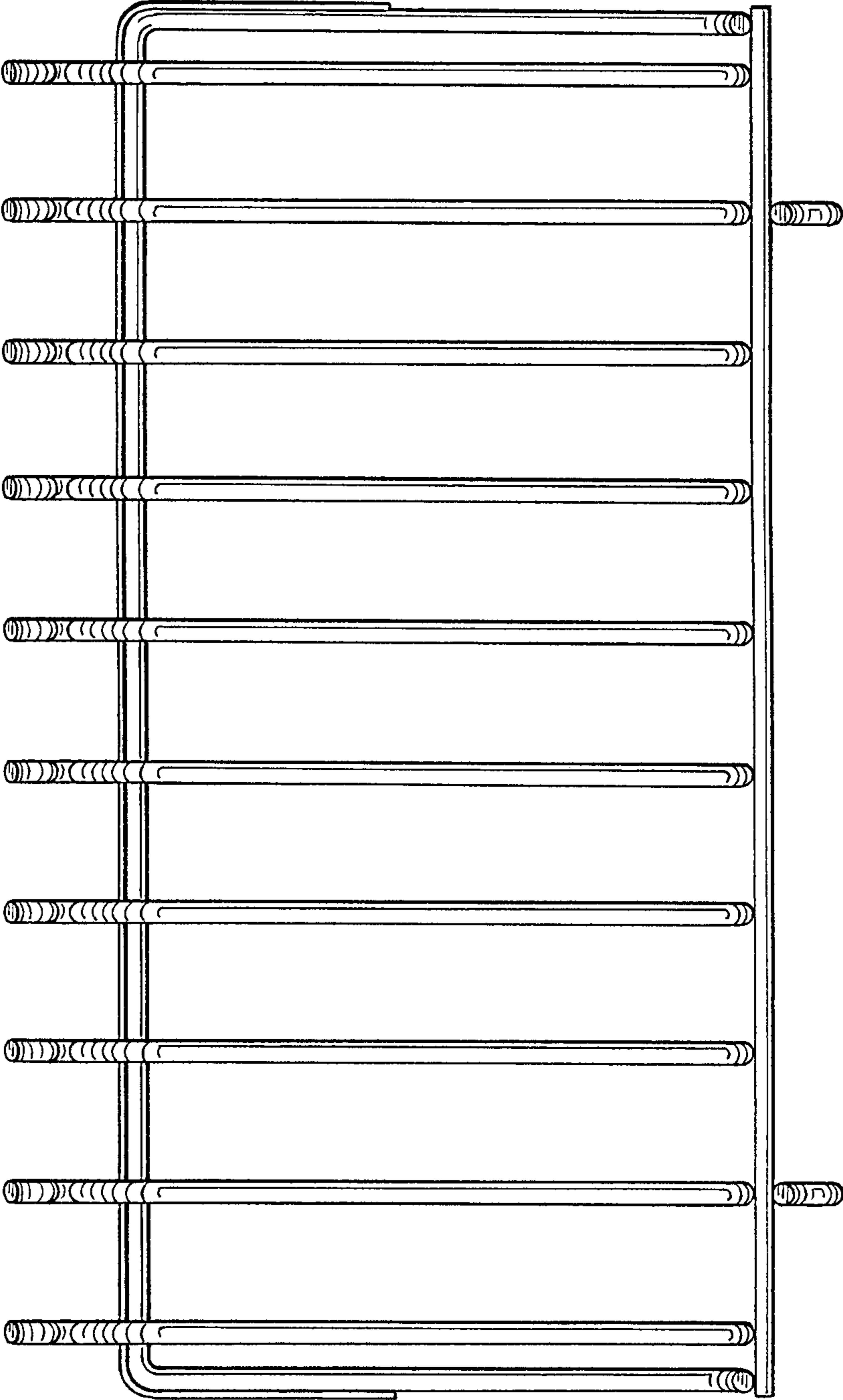


FIG. 11



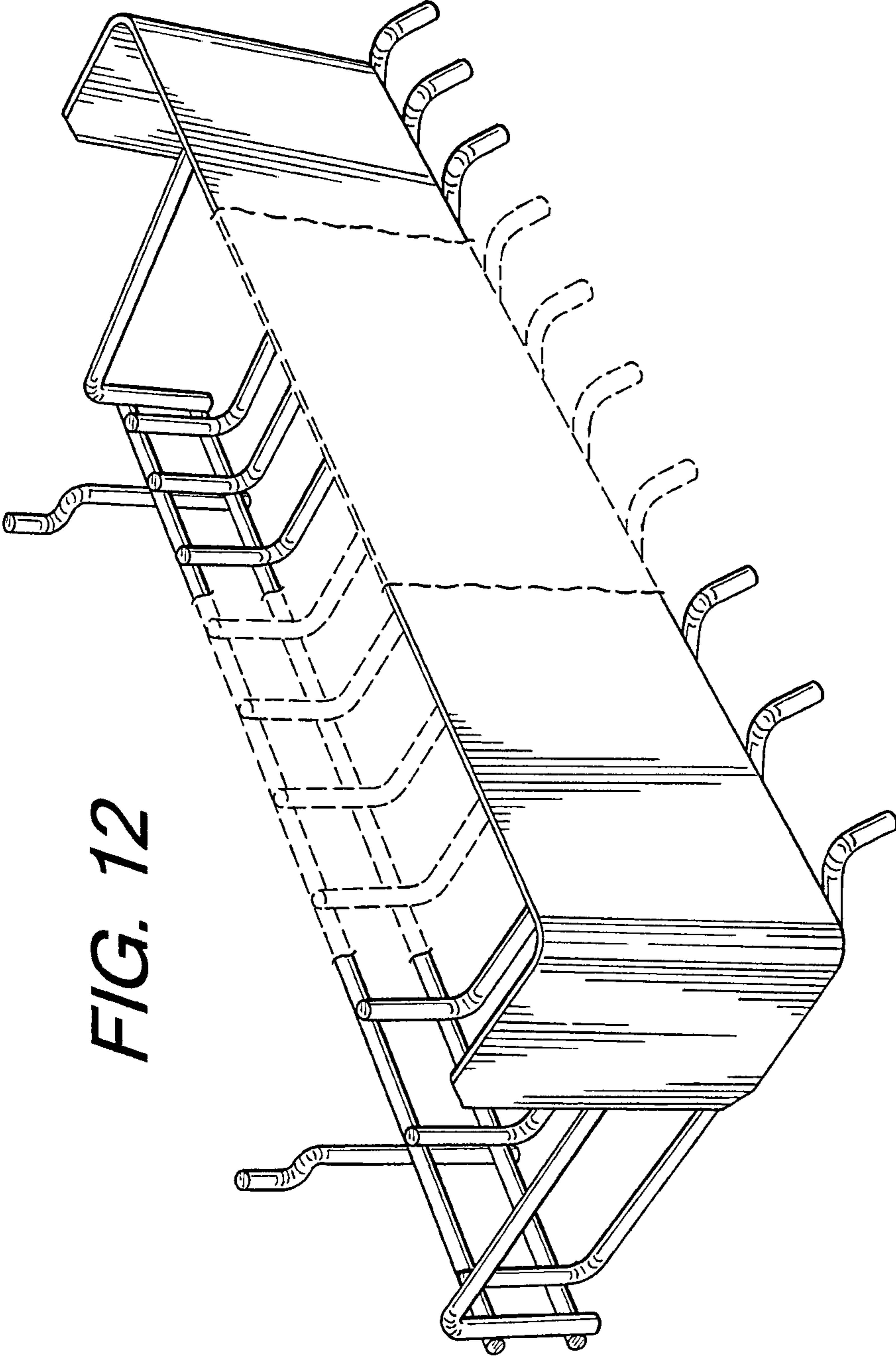


FIG. 12

FIG. 13

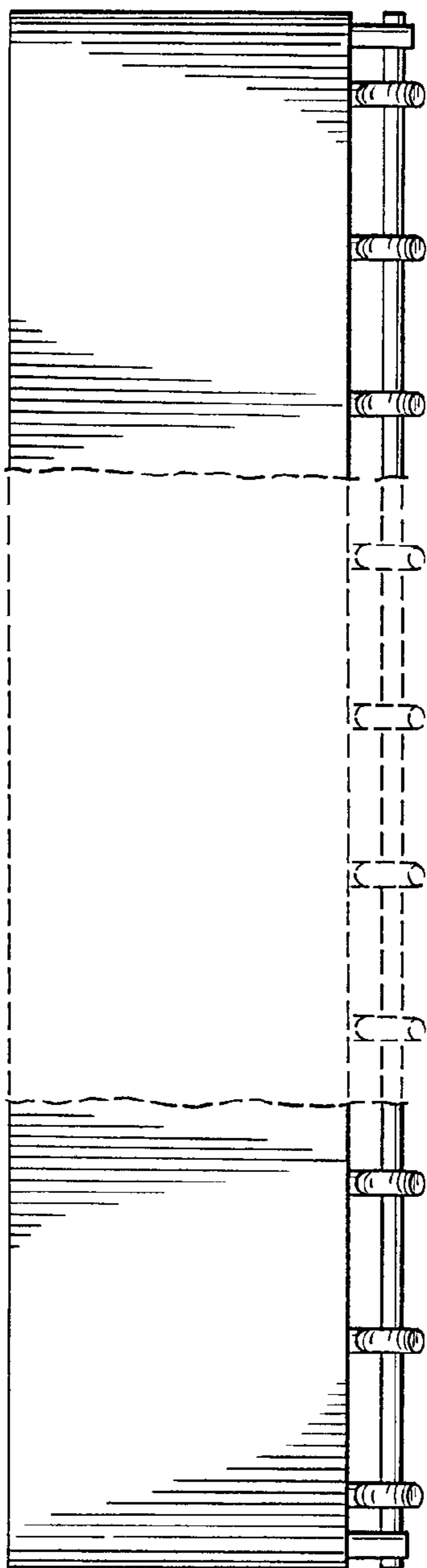


FIG. 14

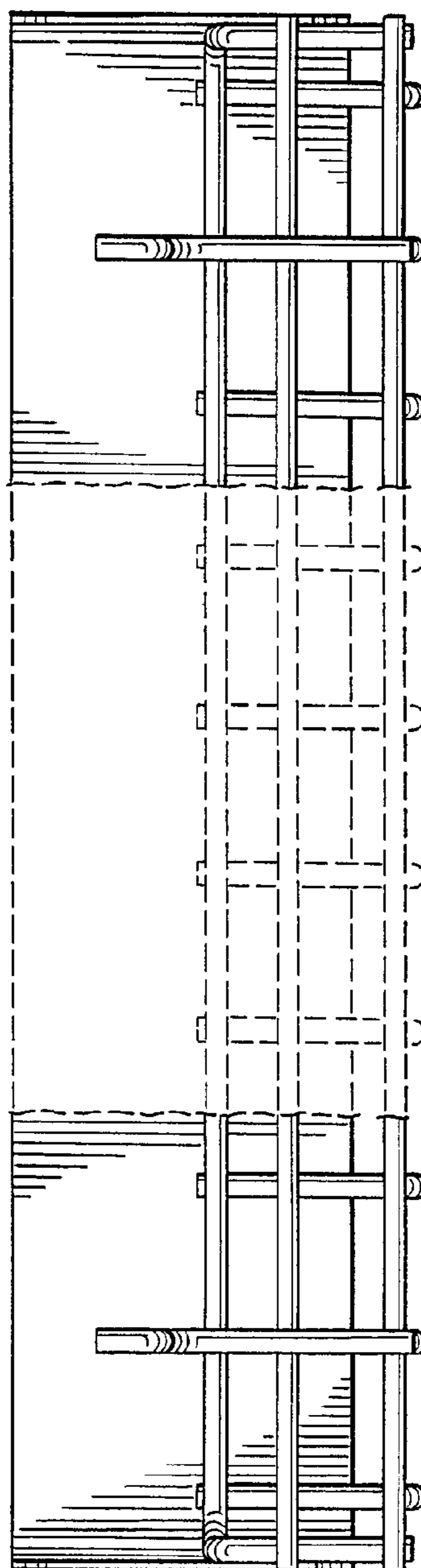


FIG. 15

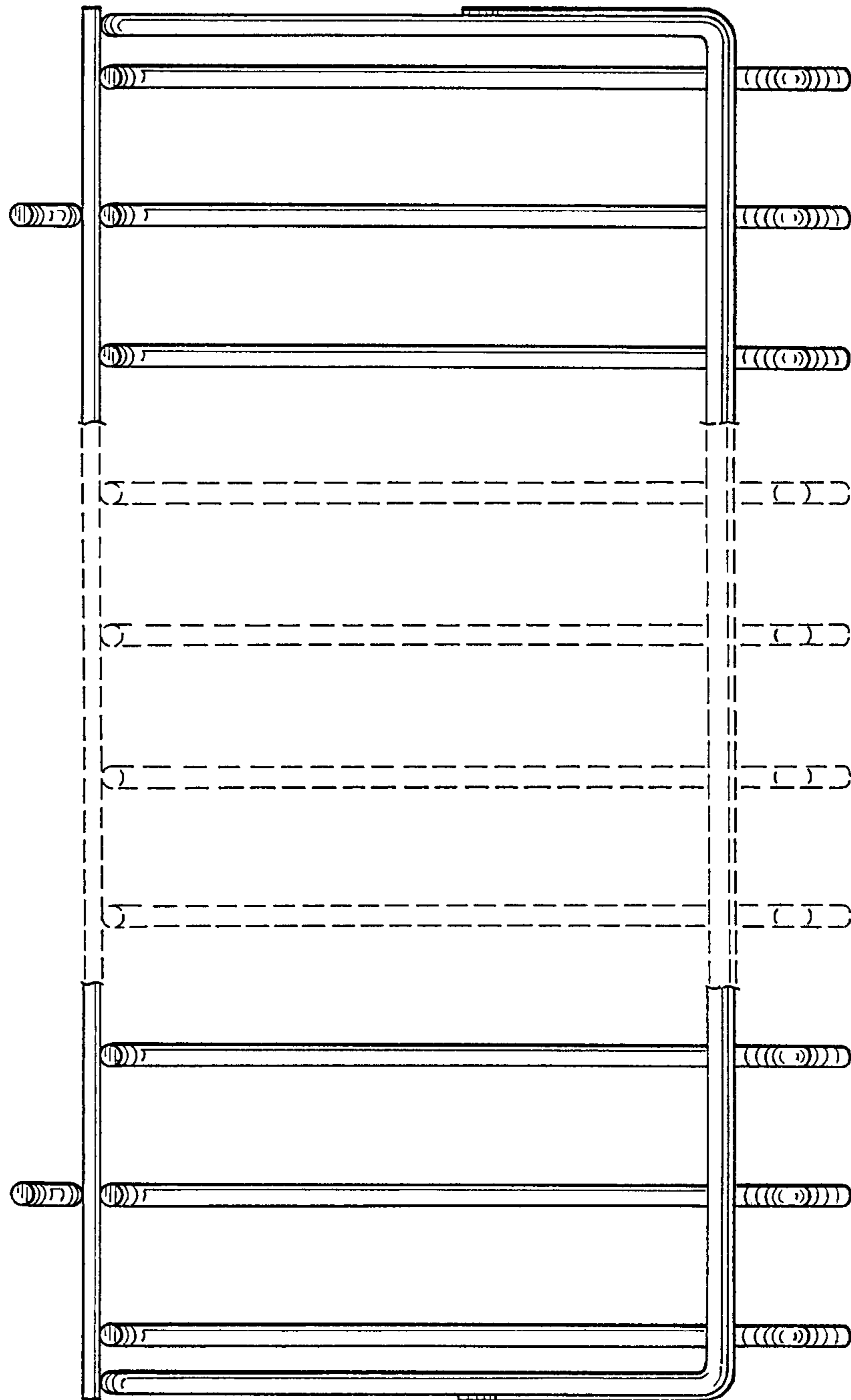


FIG. 16

