



US00D687646S

(12) **United States Design Patent**
Hallberg et al.

(10) **Patent No.:** **US D687,646 S**

(45) **Date of Patent:** **** Aug. 13, 2013**

(54) **ARTICLE OF FURNITURE**

(75) Inventors: **Richard W. Hallberg**, Beverly Hills, CA (US); **Barbara J. Wiseley**, Montecito, CA (US); **Daniel C. Cuevas**, Los Angeles, CA (US)

(73) Assignee: **E.C. Group, Inc.**, Los Angeles, CA (US)

(**) Term: **14 Years**

(21) Appl. No.: **29/429,442**

(22) Filed: **Aug. 10, 2012**

(51) **LOC (9) Cl.** **06-06**

(52) **U.S. Cl.**
USPC **D6/499**

(58) **Field of Classification Search**
USPC D6/334-336, 344-353, 358-381, D6/388, 403, 491-502, 692, 708, 716, 716.2-716.4; 297/16.1, 22, 31, 35, 217.1, 228.12, 239, 297/256.16, 271.6, 284.4-284.5, 291, 297, 297/302.4, 411.2, 411.27-411.29, 411.43, 297/423.1, 423.12, 440.11, 440.15, 440.24, 297/448.1, 451.4, 452.13, 452.19, 452.21, 297/452.27, 452.29, 452.3, 452.41, 452.56, 297/452.64

See application file for complete search history.

(56) **References Cited**

U.S. PATENT DOCUMENTS

D41,571 S	7/1911	Moore	
D68,663 S *	11/1925	Snow	D6/358
D81,933 S *	9/1930	Jones	D6/369
D82,937 S *	12/1930	Hauser	D6/359
D187,458 S	3/1960	Otto	
D198,971 S *	8/1964	Ritts	D6/371
D219,651 S *	1/1971	Fisher	D6/379
D289,949 S *	5/1987	Tron	D6/376
D309,063 S	7/1990	Kee	
D312,535 S	12/1990	Yau Kee	

D316,489 S	4/1991	Frinier	
D320,511 S *	10/1991	Hess	D6/379
D340,588 S *	10/1993	Lee	D6/370
D383,616 S *	9/1997	Caldwell	D6/376
D384,830 S	10/1997	Daniel	
D386,321 S *	11/1997	Vanderminden	D6/368
D390,714 S	2/1998	Goodman	
D411,379 S	6/1999	Kreiss	
D414,050 S *	9/1999	Lin	D6/376
D416,398 S *	11/1999	Armaroli	D6/376

(Continued)

OTHER PUBLICATIONS

Hallberg et al., Design U.S. Appl. No. 29/429,443, filed Aug. 10, 2012.

(Continued)

Primary Examiner — Ricky Pham

(74) *Attorney, Agent, or Firm* — Heslin Rothenberg Farley & Mesiti P.C.

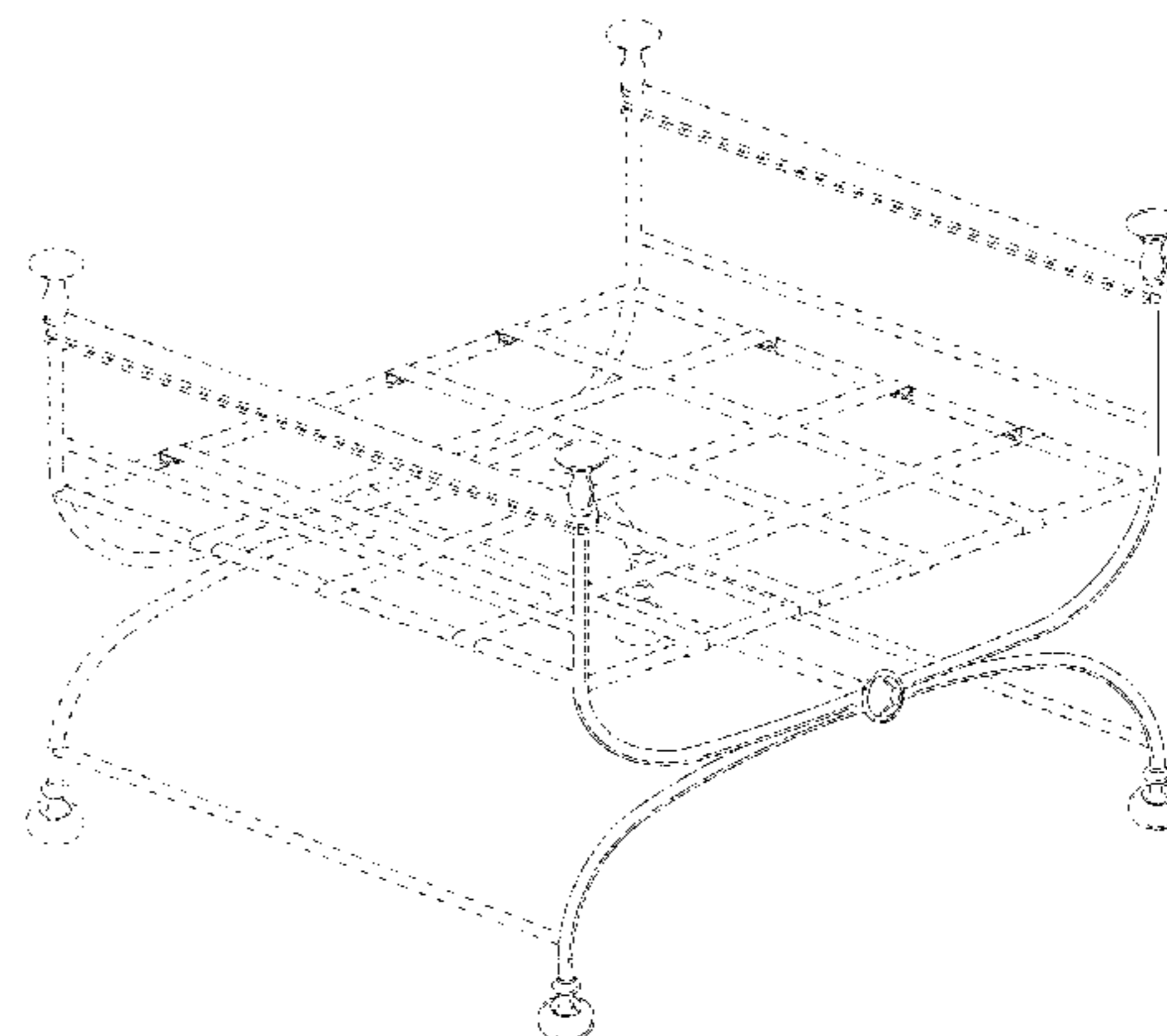
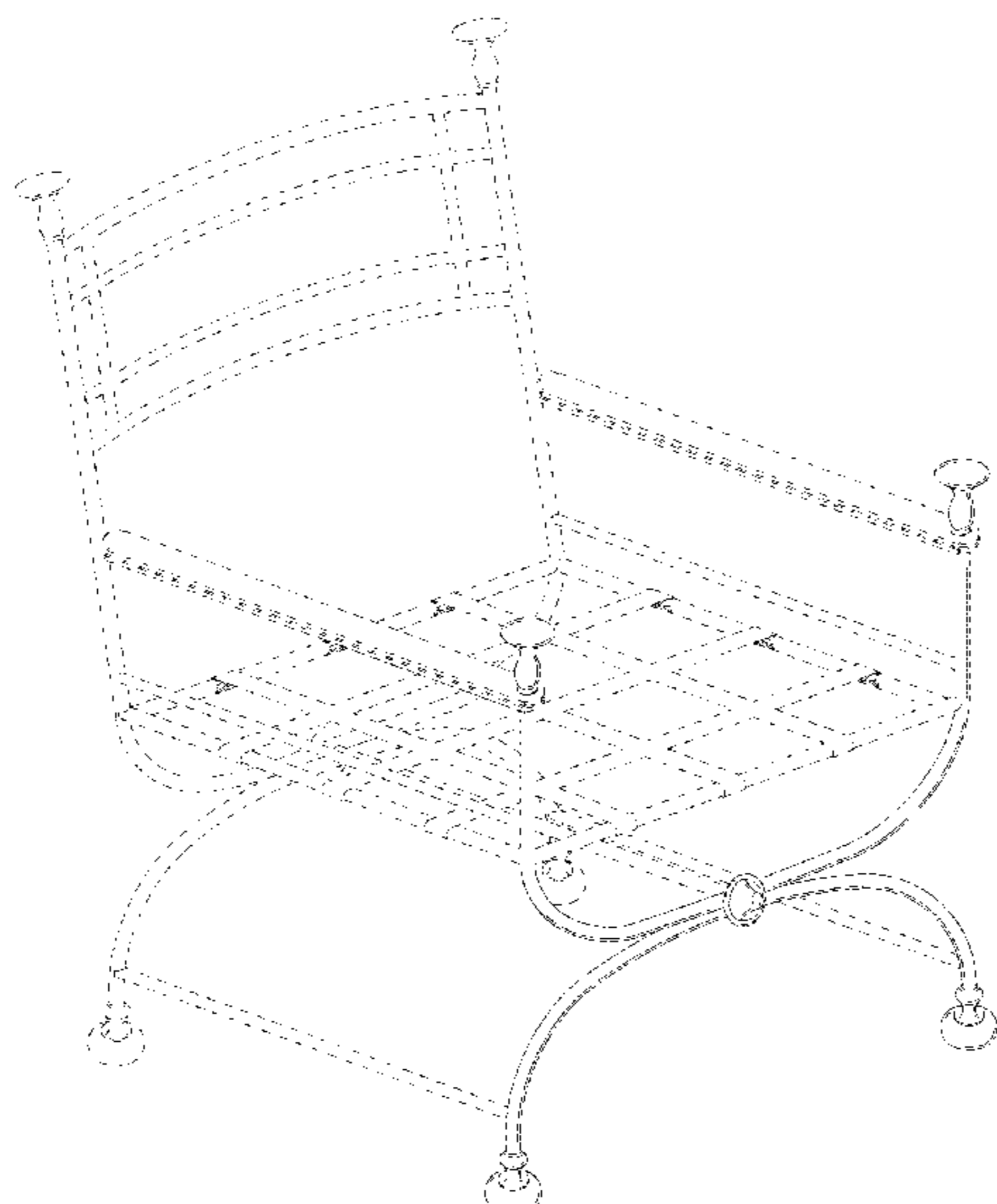
(57) **CLAIM**

The ornamental design for an article of furniture, as shown and described.

DESCRIPTION

FIG. 1 is a perspective view of the an article of furniture in accordance with the new design;
FIG. 2 is a front elevational view thereof;
FIG. 3 is a right side elevational view thereof;
FIG. 4 is a left side elevational view thereof;
FIG. 5 is a rear elevational view thereof;
FIG. 6 is a top view thereof;
FIG. 7 is a second perspective view of the article of furniture; and,
FIG. 8 is a third perspective view of the article of furniture.
The broken lines in the figures are for illustration purposes only and form no part of the claimed invention.

1 Claim, 8 Drawing Sheets



(56)

References Cited

U.S. PATENT DOCUMENTS

D420,830	S	2/2000	Tseng	
D430,419	S	9/2000	Chun	
D438,026	S	2/2001	Frinier	
D441,974	S	* 5/2001	Mintz et al.	D6/376
D445,272	S	* 7/2001	Rehmert et al.	D6/376
D446,399	S	8/2001	Slear	
D447,355	S	9/2001	Copeland	
D447,644	S	9/2001	Buehler	
D449,175	S	10/2001	Lin	
D462,192	S	9/2002	Jacomina et al.	
D468,924	S	* 1/2003	O'Hare	D6/379
D482,206	S	11/2003	Ciabatti	
D486,971	S	2/2004	Tseng	
D487,198	S	3/2004	Tseng	
D492,495	S	7/2004	Barile et al.	
D502,334	S	3/2005	Tseng	
D517,339	S	3/2006	Tseng	
D522,767	S	6/2006	Camp et al.	
D525,797	S	8/2006	Lowsky	
D525,798	S	8/2006	Lowsky	
D526,801	S	* 8/2006	Chen	D6/376
D547,081	S	7/2007	Wang	
D547,082	S	7/2007	Wang	
D547,962	S	* 8/2007	Ko	D6/376
D569,120	S	* 5/2008	Camp et al.	D6/368
D569,646	S	* 5/2008	Camp et al.	D6/376
D572,495	S	* 7/2008	Lowsky	D6/370
D574,620	S	8/2008	Lowsky	
D574,621	S	8/2008	Lowsky	
D577,216	S	* 9/2008	Camp et al.	D6/376
D588,369	S	* 3/2009	Camp et al.	D6/361
D609,486	S	2/2010	Lowsky	
D659,443	S	5/2012	Hallberg et al.	
D666,019	S	* 8/2012	Lowsky	D6/376
D672,987	S	12/2012	Hallberg et al.	
D675,464	S	* 2/2013	Pedersen et al.	D6/716
D677,922	S	* 3/2013	Kangyang	D6/374
D677,923	S	* 3/2013	Kangyang	D6/379

OTHER PUBLICATIONS

Hallberg et al., Design U.S. Appl. No. 29/429,444, filed Aug. 10, 2012.

Hallberg et al., U.S. Appl. No. 29/450,020, filed Mar. 15, 2013.

Hallberg et al., U.S. Appl. No. 29/450,052, filed Mar. 15, 2013.

Tropitone Cantina Patio Furniture, Patio Furniture Rehab, printout available online on Apr. 26, 2013, at <http://www.patiofurniturerehab.com/announcements/vinyl-strapping-replacements-on-tropitone-cantina-patio-furniture-in-south-carolina>, 3-pages, at least as early as 1971.

Tropitone Cantina Patio Furniture, Saratoga Herald Tribune, p. 18A, Apr. 25, 1971.

Patio Furniture Rehab, various refurbished pieces, printout available online on Apr. 26, 2013, at http://www.aplusredemption.com/customer_diy_vinyl_straps.htm, 9-pages, at least as early as 2010.

Romano Wrought Iron Chair, available from LeSouk.com, printout available online on May 26, 2011, at <http://www.lesouk.com/tables/ref.sub.-r/WCRO1700r.htm>, and price list, 3-pages, 2009.

Tuscan Iron Sofa Chair, available TAZI Designs, San Francisco, California, printout available online on May 26, 2011, at <http://www.tazidesigns.com/catalog/patio.sub.--furniture/seating/307>, 2-pages, Mar. 2008.

Patio Chair—Napa Armchair, available from TAZI Designs, San Francisco, California, printout available online on May 26, 2011, at <http://www.tazidesigns.com/catalog/patio.sub.--furniture/seating/608>, 2-pages, 2008.

Salterini Iron Arm Chairs Ottomans & Table, available from Red Modern Furniture, Phoenix, Arizona, printout available online on May 26, 2011, <http://redmodernfurniture.com/2010/06/14/salterini-iron-arm-chairs-ottomans-table/>, 2-pages, early 1960's.

Mediterranean Iron Sofa, available from TAZI Designs, San Francisco, California, printout available online on Feb. 15, 2012, at <http://www.tazidesigns.com/catalog/patio.sub.--furniture/seating/852>, 3-pages, at least as early as Feb. 12, 2010.

Patio Furniture—Moroccan Bench and Mediterranean Chairs, available from TAZI Designs, San Francisco, California, printout available online on Feb. 15, 2012, at <http://www.tazidesigns.com/catalog/patio.sub.--furniture/seating/>, 33-pages, at least as early as Feb. 10, 2010.

* cited by examiner

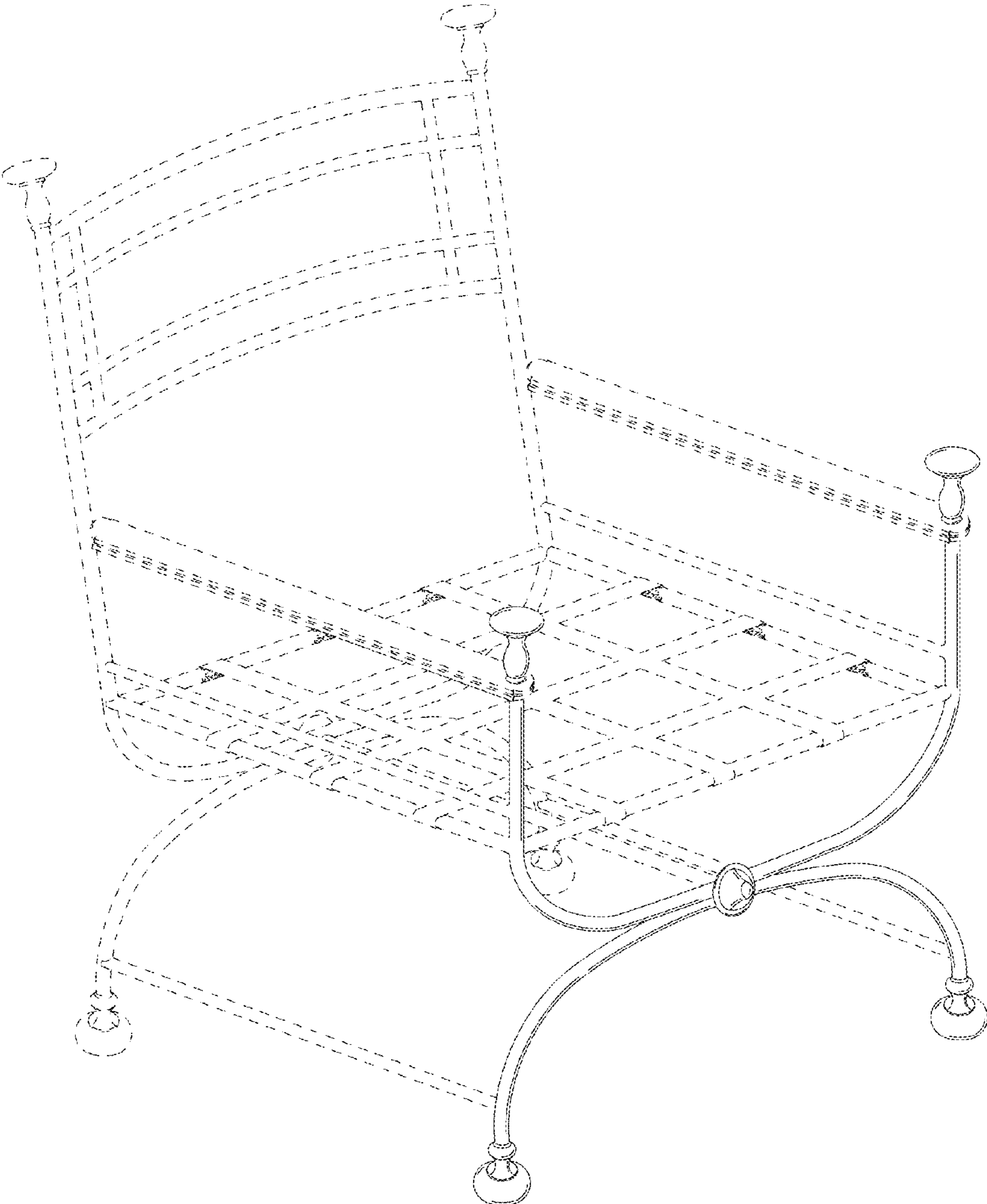


FIG. 1

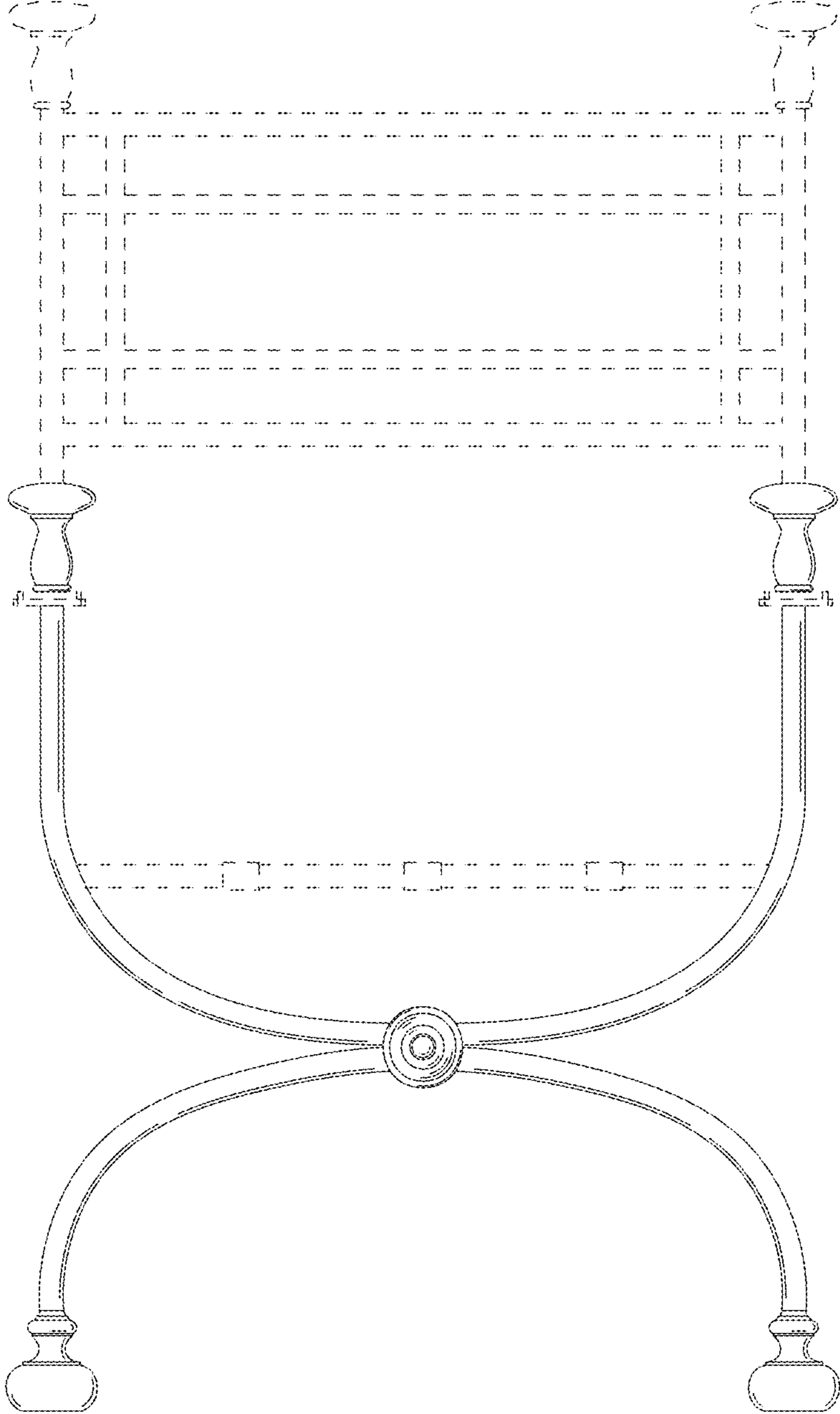


FIG. 2

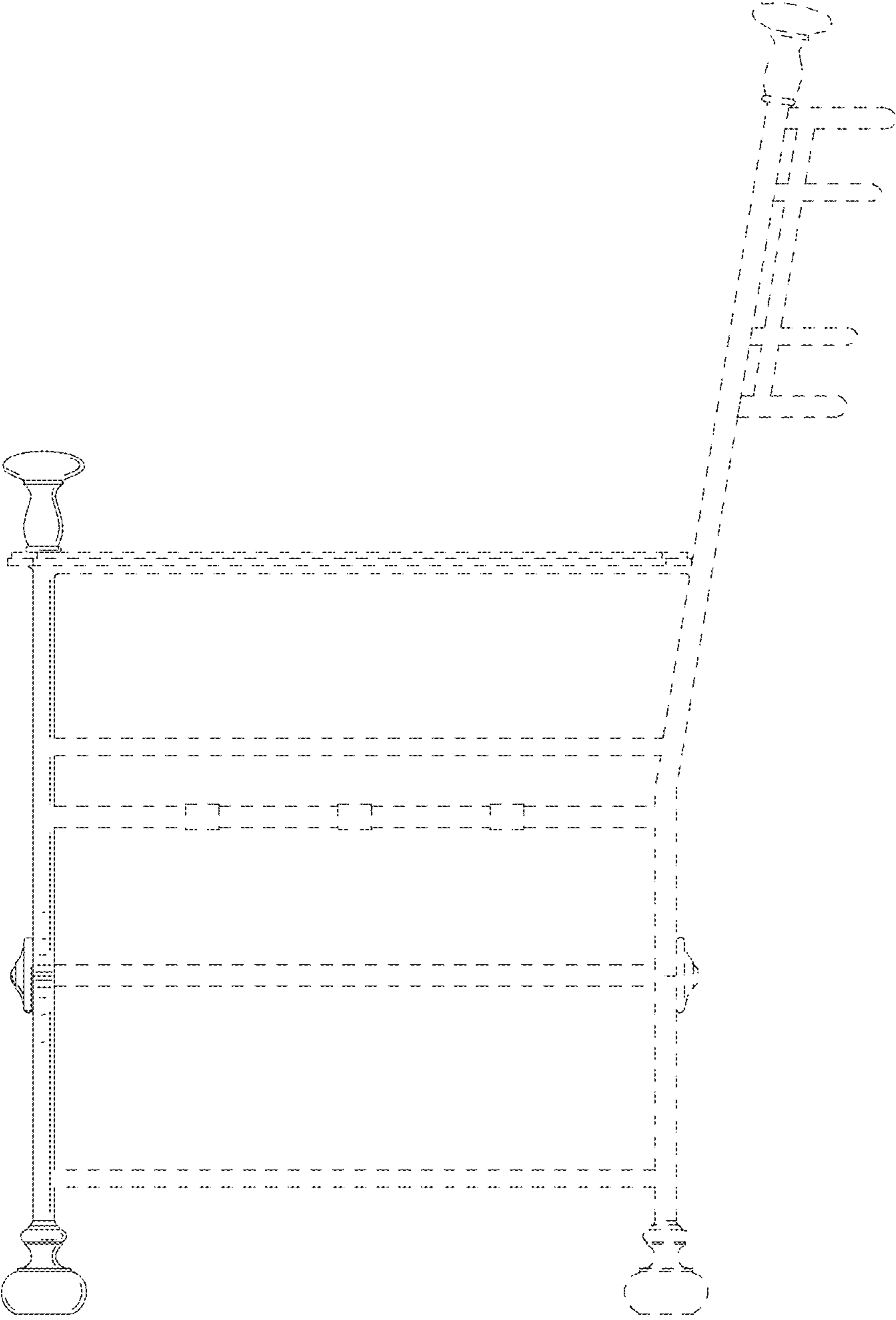


FIG. 3

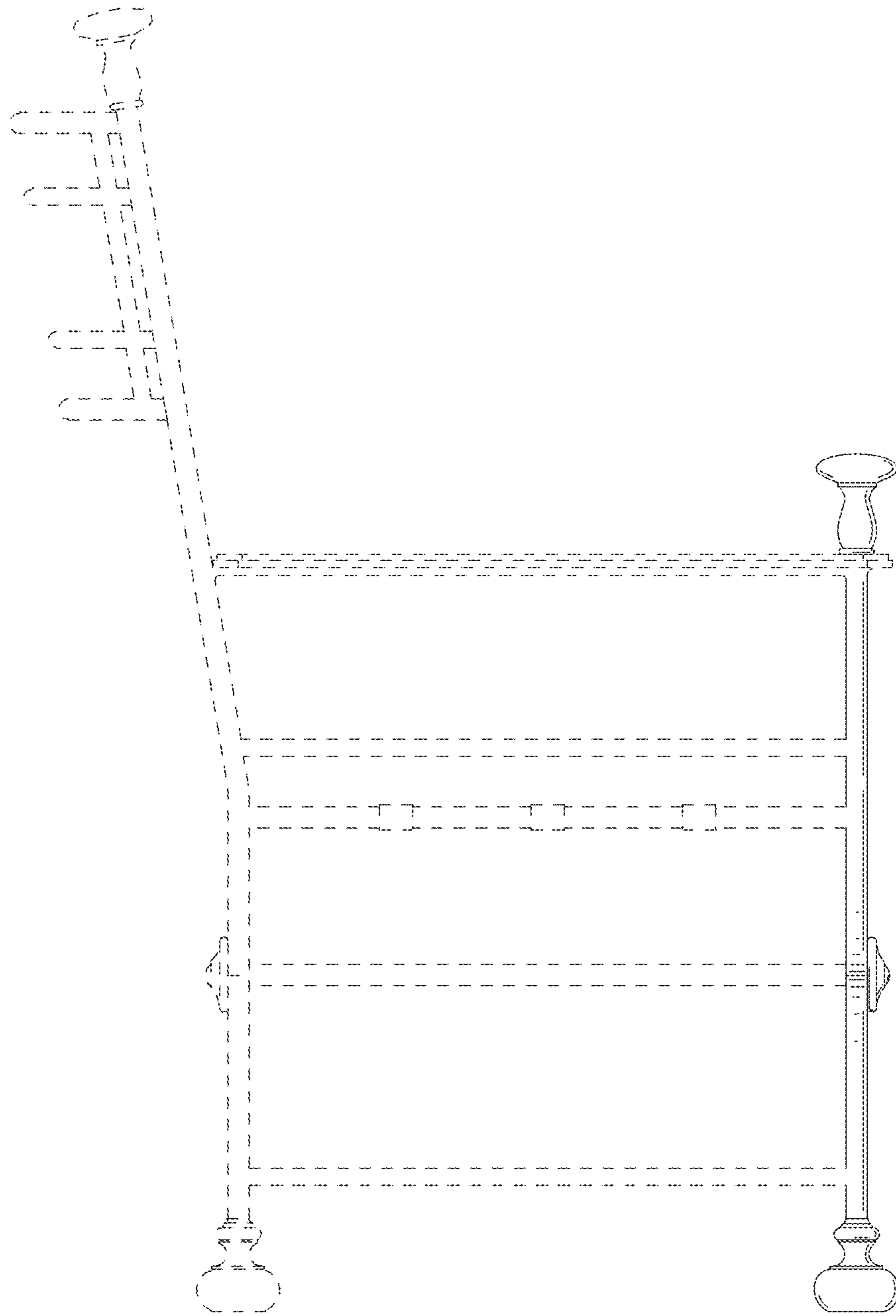


FIG. 4

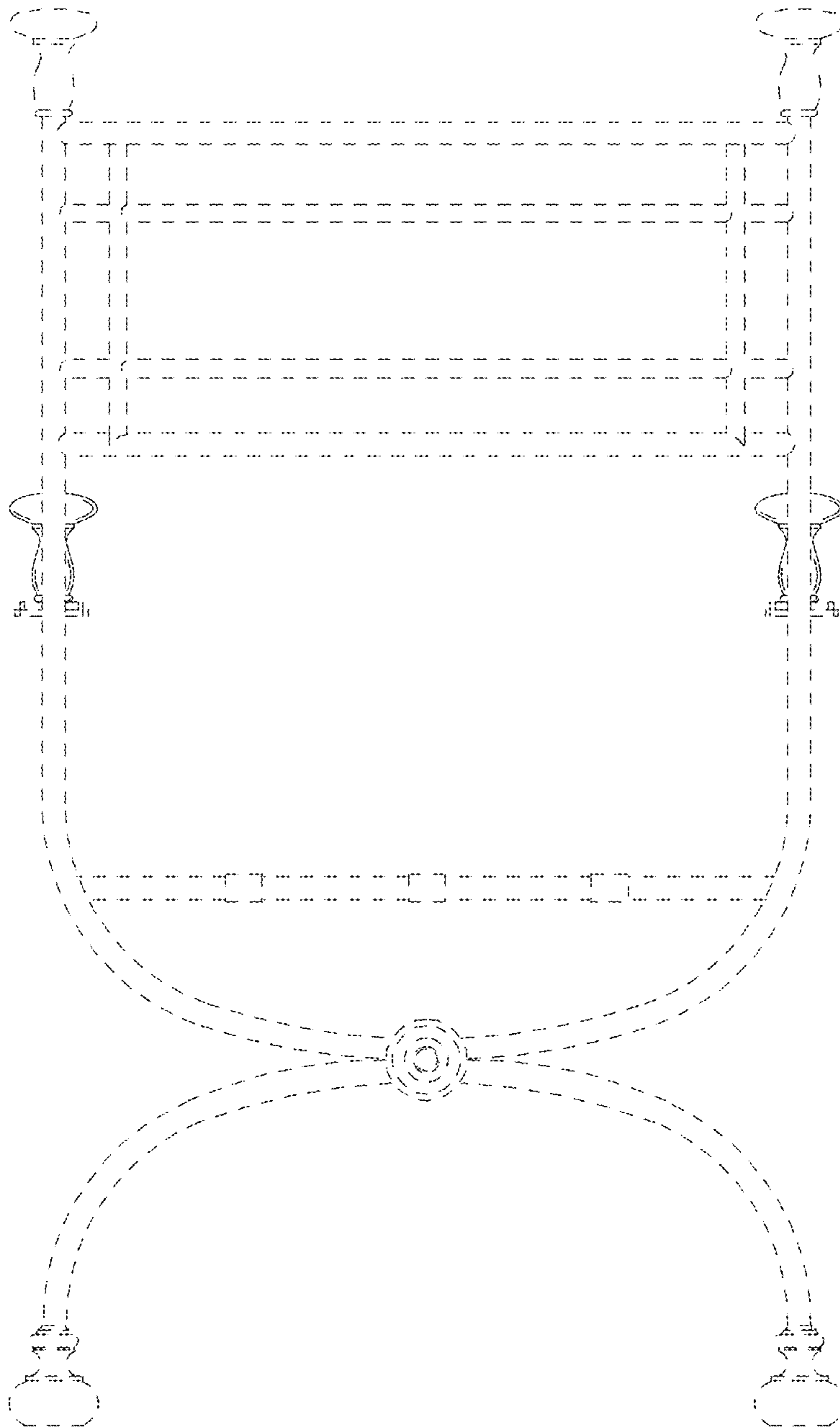


FIG. 5

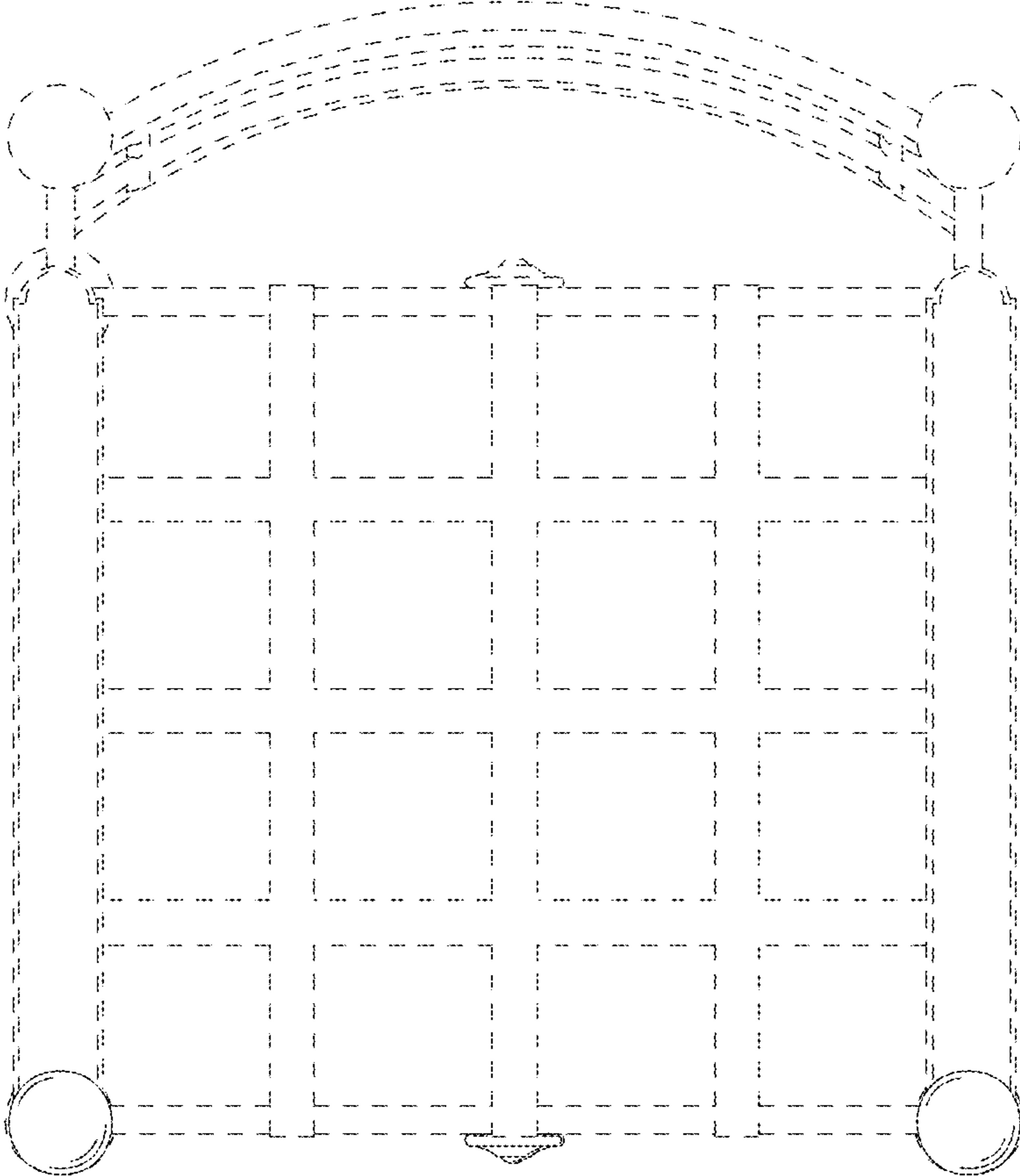


FIG. 6

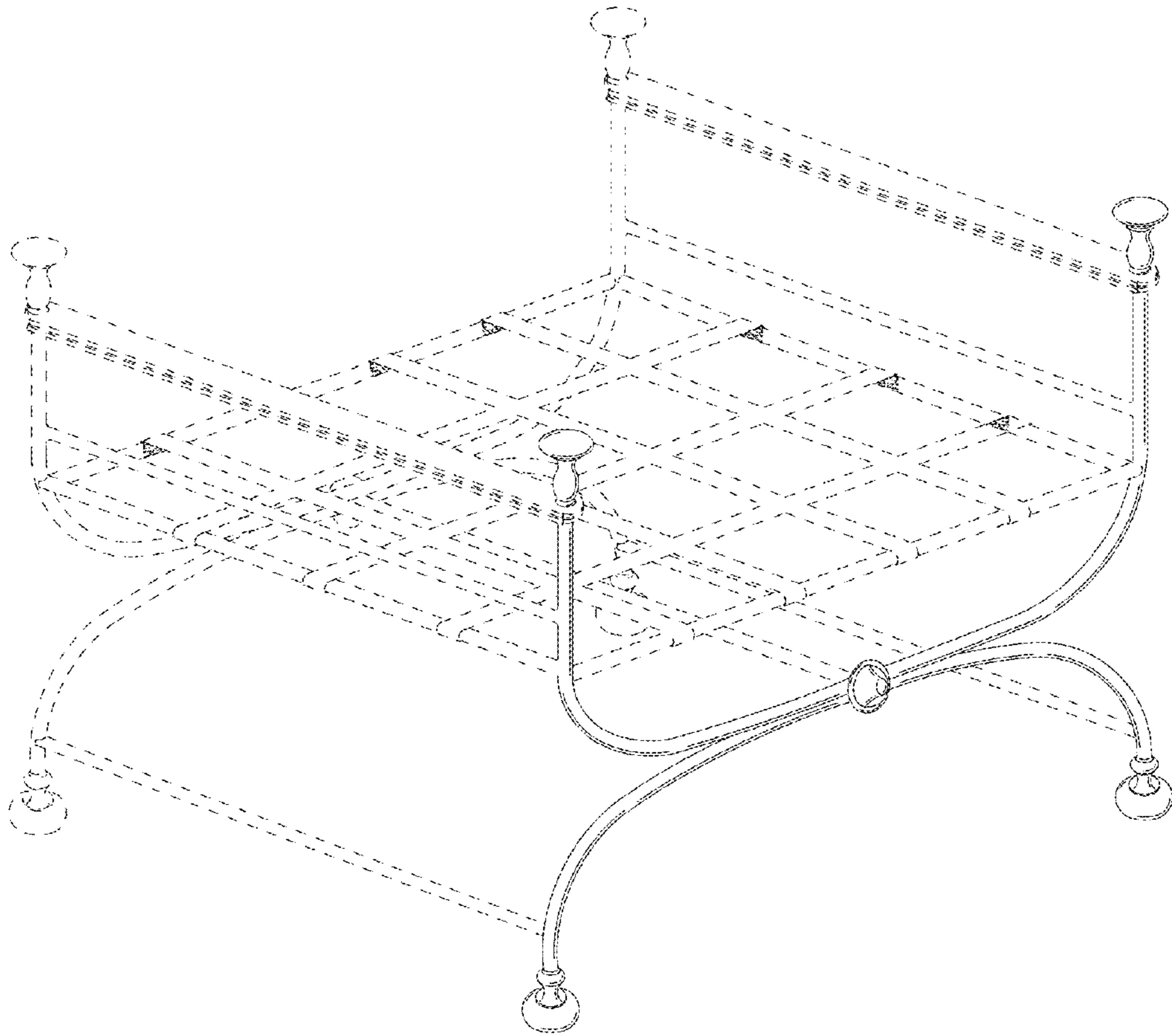


FIG. 7

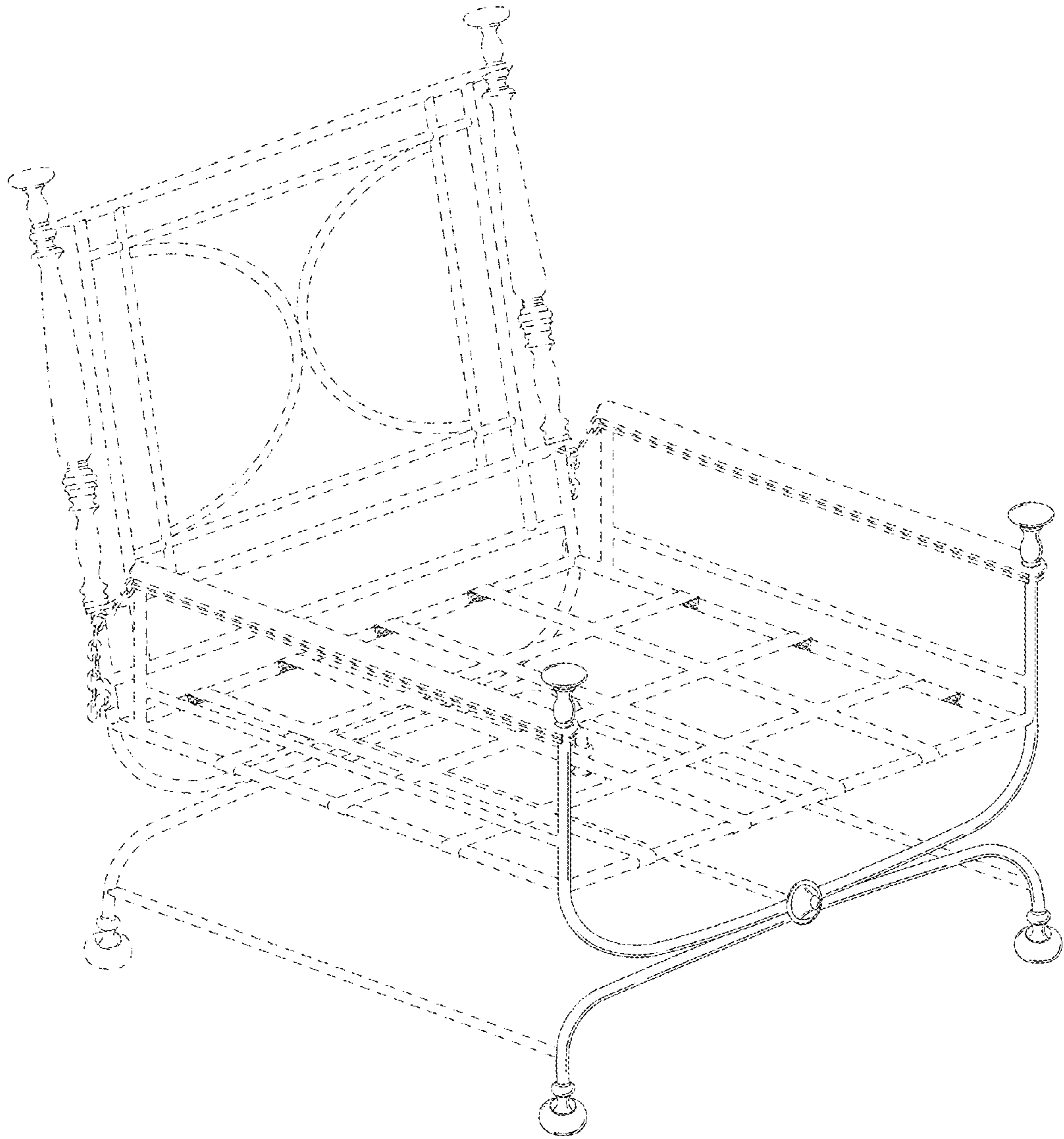


FIG. 8