



US00D687645S

(12) **United States Design Patent**  
**Tapper**

(10) **Patent No.:** **US D687,645 S**

(45) **Date of Patent:** **\*\* Aug. 13, 2013**

(54) **12 COUNT CUPCAKE DISPLAY KIT WITH SIDE PIECES**

(75) Inventor: **Laura J. Tapper**, Dallas, TX (US)

(73) Assignee: **Laura J. Tapper**, Dallas, TX (US)

(\*\*) Term: **14 Years**

(21) Appl. No.: **29/408,625**

(22) Filed: **Dec. 14, 2011**

**Related U.S. Application Data**

(63) Continuation-in-part of application No. 29/355,177, filed on Feb. 3, 2010, now abandoned.

(51) **LOC (9) Cl.** ..... **06-04**

(52) **U.S. Cl.**  
USPC ..... **D6/449**

(58) **Field of Classification Search**  
USPC ..... D6/449; D7/610, 323, 354–361, D7/417, 505, 513, 540–546, 550.1, 551, 552.1, D7/553.1, 553.4–553.8, 554.3, 555, 584, D7/586; D9/414, 456, 754, 756; 220/574, 220/600–60, 610, 669, 672–675, 912, 23.83; 206/769, 497, 223, 499, 493; 426/115, 124; 52/136

See application file for complete search history.

(56) **References Cited**

**U.S. PATENT DOCUMENTS**

D255,085	S	*	5/1980	Free et al.	.....	D7/368
5,912,033	A	*	6/1999	Ferguson	.....	426/124
5,967,323	A	*	10/1999	Siragusa	.....	206/499
6,003,671	A	*	12/1999	McDonough et al.	.....	206/493
D423,864	S	*	5/2000	Chang et al.	.....	D7/323
6,146,673	A	*	11/2000	Ferguson	.....	426/115
6,186,351	B1	*	2/2001	Coyle	.....	220/23.83
6,318,030	B1	*	11/2001	McClure et al.	.....	52/136
6,450,341	B1	*	9/2002	Krupa et al.	.....	206/497
6,450,343	B1	*	9/2002	Arnaldi	.....	206/769
6,905,017	B1	*	6/2005	Sarnoff et al.	.....	206/223

D515,363	S	*	2/2006	Driggers et al.	.....	D7/610
D553,902	S	*	10/2007	Barber	.....	D7/357
D559,613	S	*	1/2008	DeMirjian, III	.....	D7/357
D569,677	S	*	5/2008	Poon	.....	D7/357
D574,182	S	*	8/2008	Shannon et al.	.....	D7/357
D596,447	S	*	7/2009	Cubillos	.....	D7/357

\* cited by examiner

*Primary Examiner* — Philip S Hyder

*Assistant Examiner* — Sydney Buffalow

(74) *Attorney, Agent, or Firm* — Chainey P. Singleton; Edwin S. Flores; Chalker Flores, LLP

(57) **CLAIM**

The ornamental design for a 12 count cupcake display kit with side pieces, as shown and described.

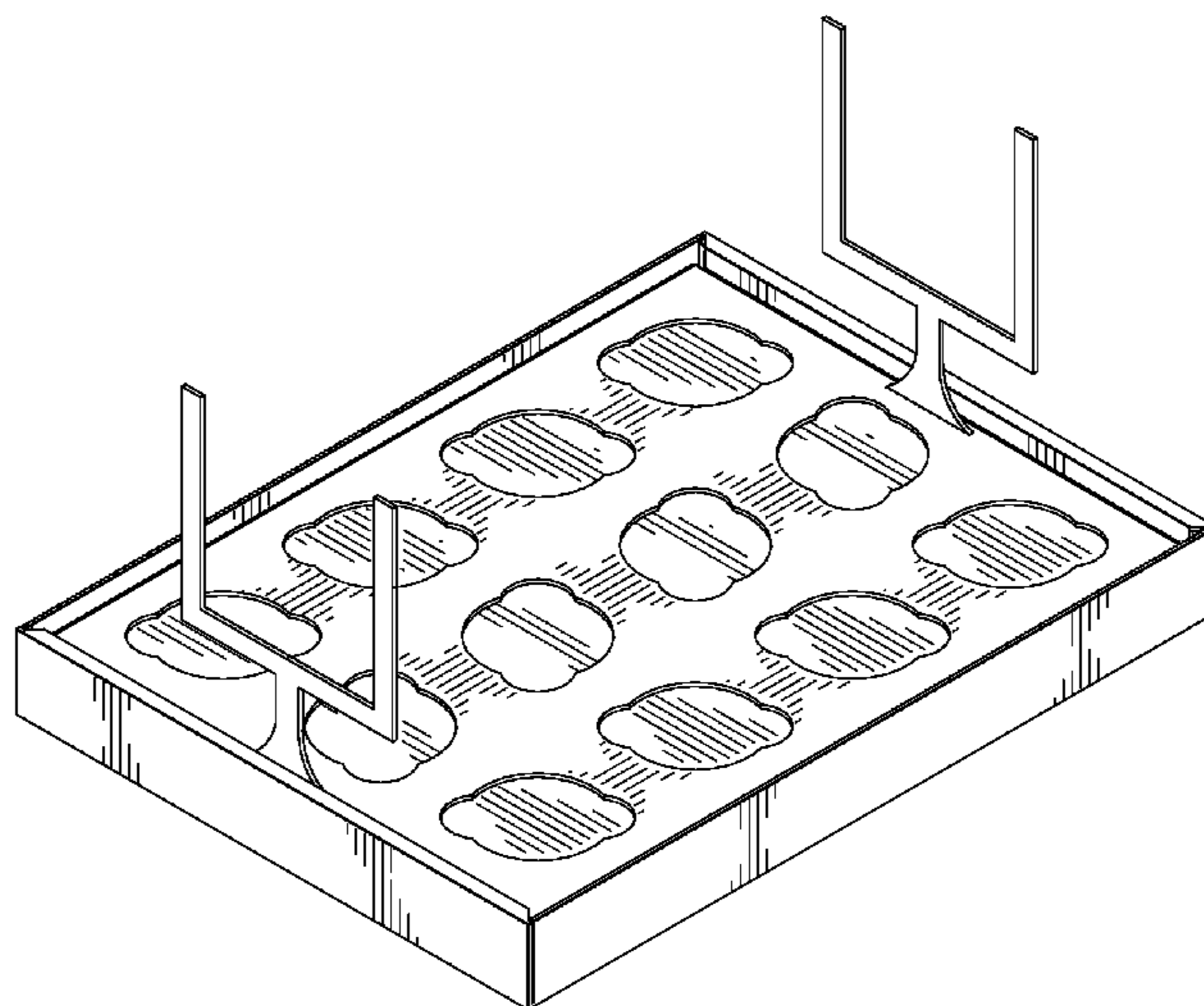
**DESCRIPTION**

FIG. 1 is a perspective view of the cupcake insert positioned in the cupcake tray illustrating cupcake holes extending through the top surface of the cupcake insert, and decorative football goal side pieces positioned at either end of the cupcake insert extending from the surface of the cupcake insert; and,

FIG. 2 is a perspective view of the cupcake box top positioned to display the cupcakes in the cupcake insert positioned in the cupcake tray wherein the cupcake box top includes a transparent window in the top surface and is positioned adjacent to the cupcake tray and the cupcake insert, visible in the figure are cupcake holes extending through the top surface of the cupcake insert making the interior surface of the cupcake tray visible through the cupcake holes and the decorative football goal side pieces positioned at either end of the cupcake insert extending from the surface of the cupcake insert.

The nature and intended use of the article in which the design is embodied is a 12 count cupcake display. The cupcake display includes a low cupcake insert configured to hold 12 cupcakes and of a height to display the cupcakes. The low cupcake insert is positioned in a low cupcake tray.

**1 Claim, 2 Drawing Sheets**



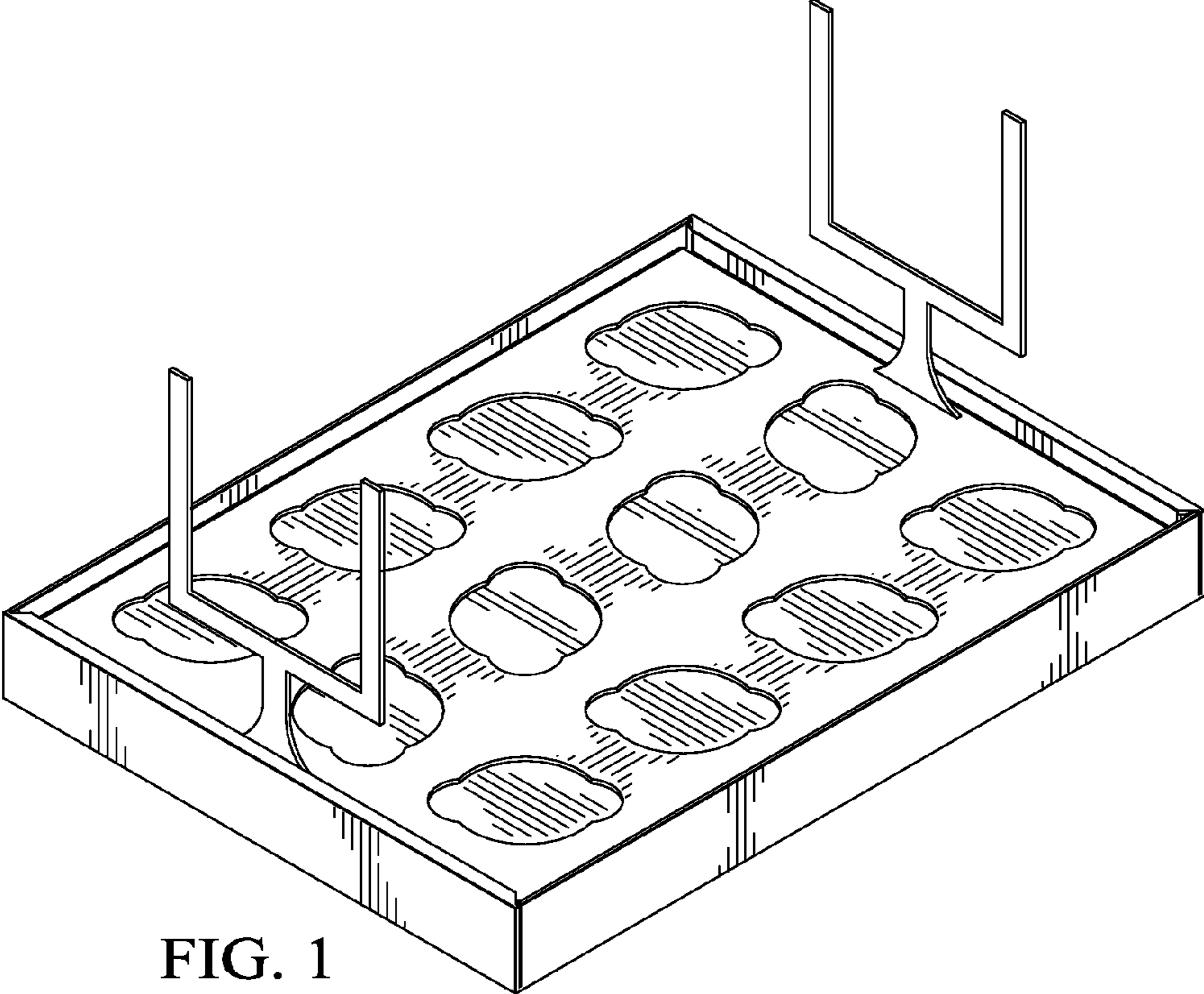


FIG. 1

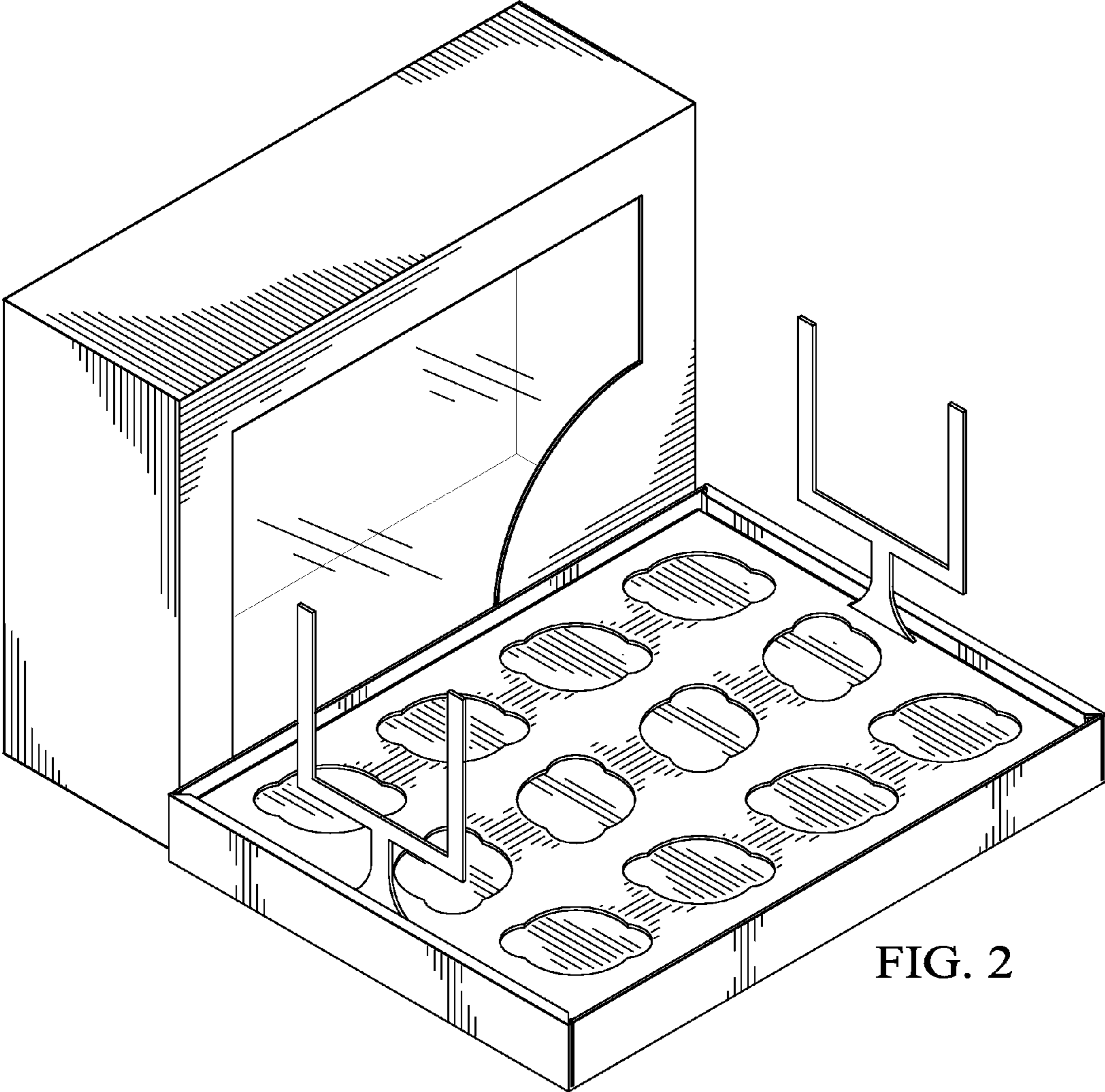


FIG. 2