



US00D687644S

(12) **United States Design Patent**  
**Jhaveri et al.**

(10) **Patent No.:** **US D687,644 S**

(45) **Date of Patent:** **\*\* Aug. 13, 2013**

(54) **RETAIL RECEPTION DESK**

(75) Inventors: **Nimesh S. Jhaveri**, Kildeer, IL (US);  
**Archana Dhruve**, Bartlett, IL (US);  
**Heather K. Hill**, Barrington, IL (US);  
**Dejan Kozic**, Wadsworth, IL (US);  
**Laura Jean Tebbe**, Antioch, IL (US);  
**Susan G. Heald**, Buffalo Grove, IL (US)

(73) Assignee: **Walgreen Co.**, Deerfield, IL (US)

(\*\*) Term: **14 Years**

(21) Appl. No.: **29/389,166**

(22) Filed: **Apr. 7, 2011**

(51) **LOC (9) Cl.** ..... **06-04**

(52) **U.S. Cl.**  
USPC ..... **D6/397**

(58) **Field of Classification Search**  
USPC ..... D6/470, 471, 472, 396, 397, 449,  
D6/442; 345/1.1; 211/26, 130.1, 26.2, 55,  
211/60.1, 69, 70.6, 94.01; 235/831; D25/1,  
D25/16, 33, 7, 10, 22-26; 52/79.1, 34;  
312/107, 111, 140, 234  
See application file for complete search history.

(56) **References Cited**

U.S. PATENT DOCUMENTS

D260,709 S \* 9/1981 Perlmutter ..... D6/470  
D262,926 S \* 2/1982 Woolford ..... D6/471

D386,327 S \* 11/1997 Rotchin ..... D6/470  
6,970,144 B1 \* 11/2005 Swift et al. .... 345/1.1  
D550,855 S \* 9/2007 Tonella ..... D25/16  
D553,128 S \* 10/2007 Murphy ..... D14/305  
7,654,399 B2 \* 2/2010 Scholen et al. .... 211/26  
2007/0252003 A1 \* 11/2007 Goldring et al. .... 235/381

\* cited by examiner

*Primary Examiner* — Philip S Hyder

*Assistant Examiner* — Sydney Buffalow

(74) *Attorney, Agent, or Firm* — Francis C. Kowalik;  
Marshall, Gerstein & Borun LLP

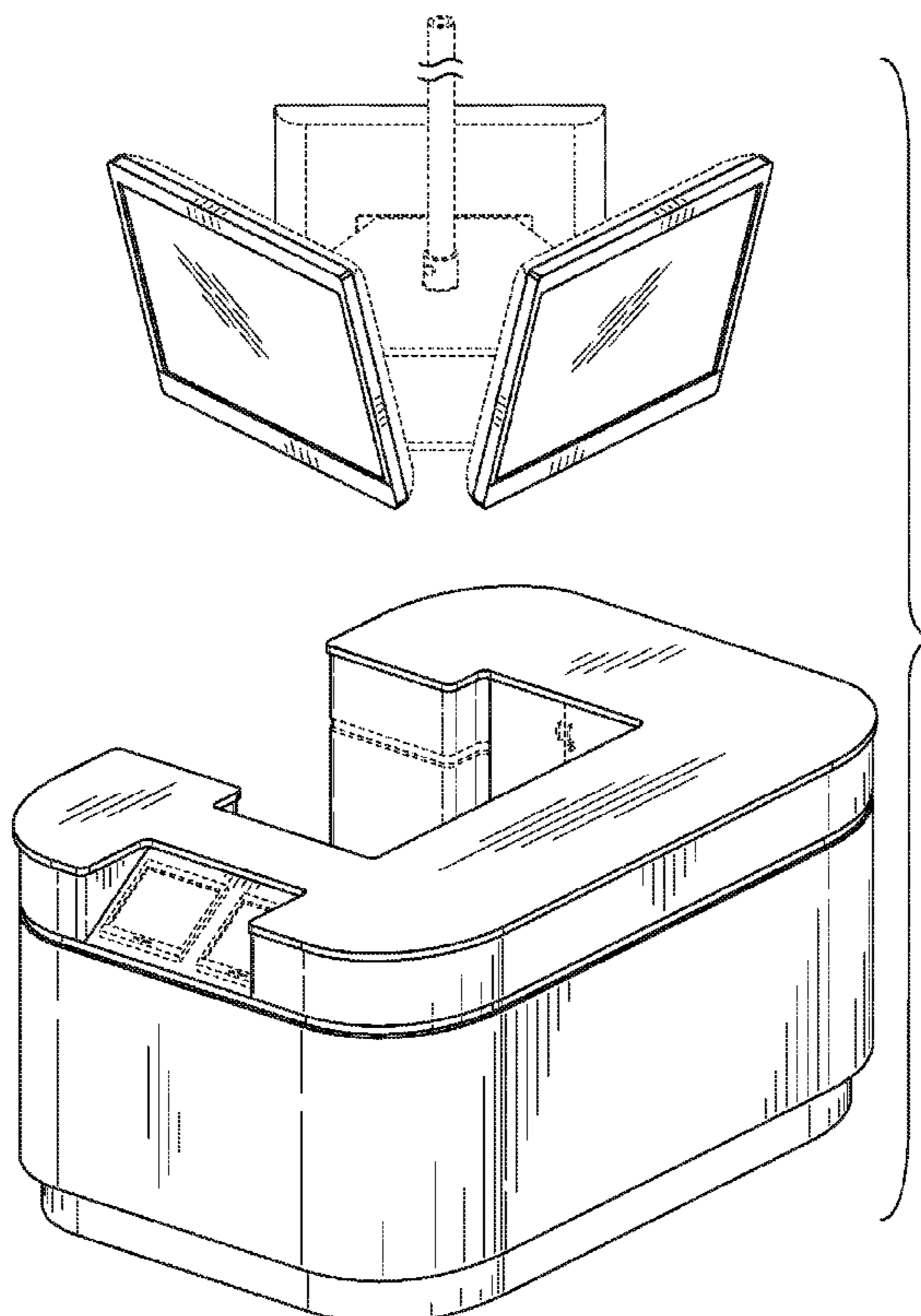
(57) **CLAIM**

The ornamental design for a retail reception desk, as shown and described.

**DESCRIPTION**

FIG. 1 is a front, top, and side perspective view of a retail reception desk that has the design.  
FIG. 2 is a front elevation view of the retail reception desk.  
FIG. 3 is a rear elevation view of the retail reception desk.  
FIG. 4 is a right-side elevation view of the retail reception desk.  
FIG. 5 is a left-side elevation view of the retail reception desk; and,  
FIG. 6 is a top plan view of the retail reception desk.  
The broken line showing of touchscreens and environmental structure is for the purpose of illustrating environment and other parts of the retail reception desk and forms no part of the claimed design.

**1 Claim, 6 Drawing Sheets**



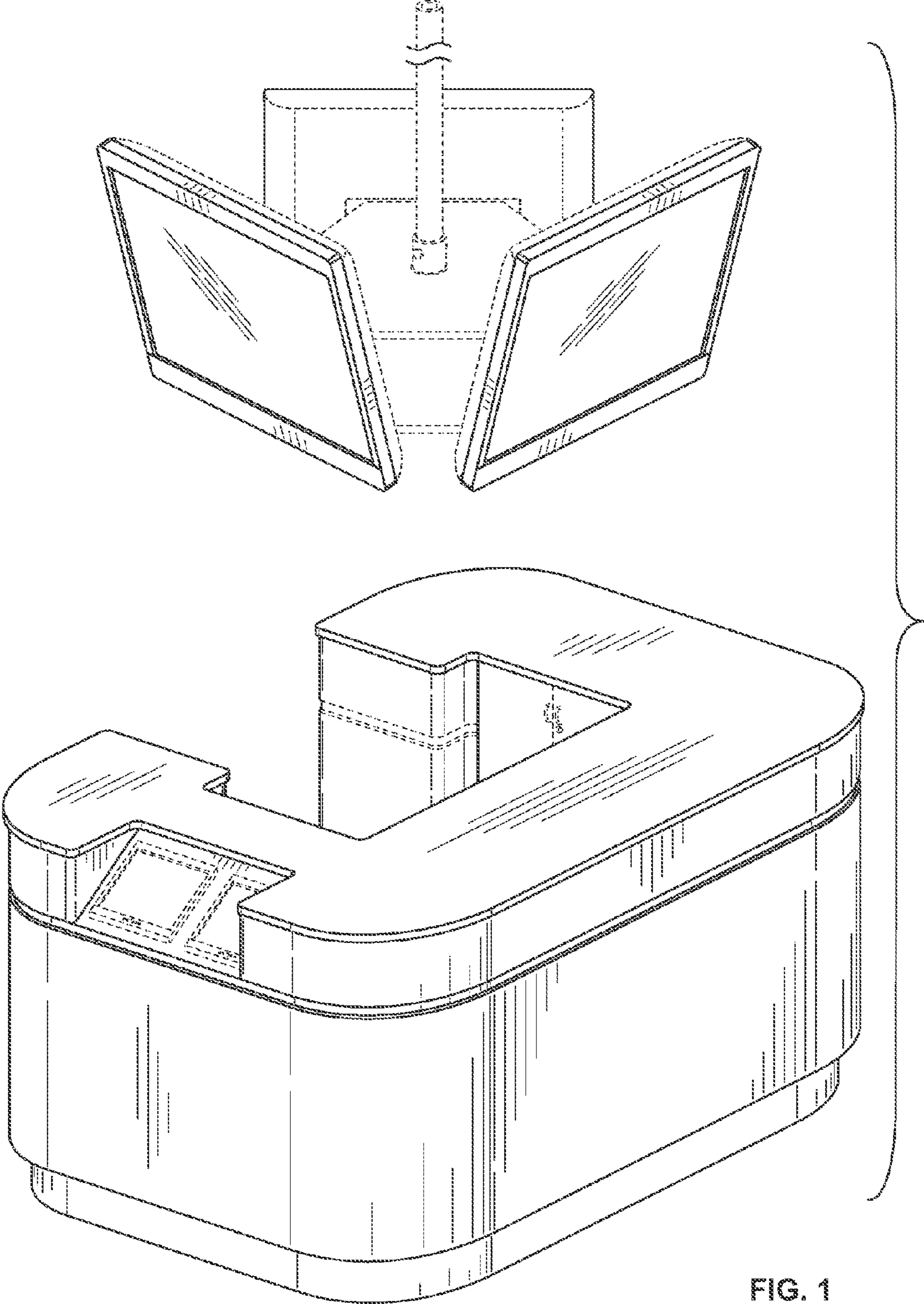


FIG. 1

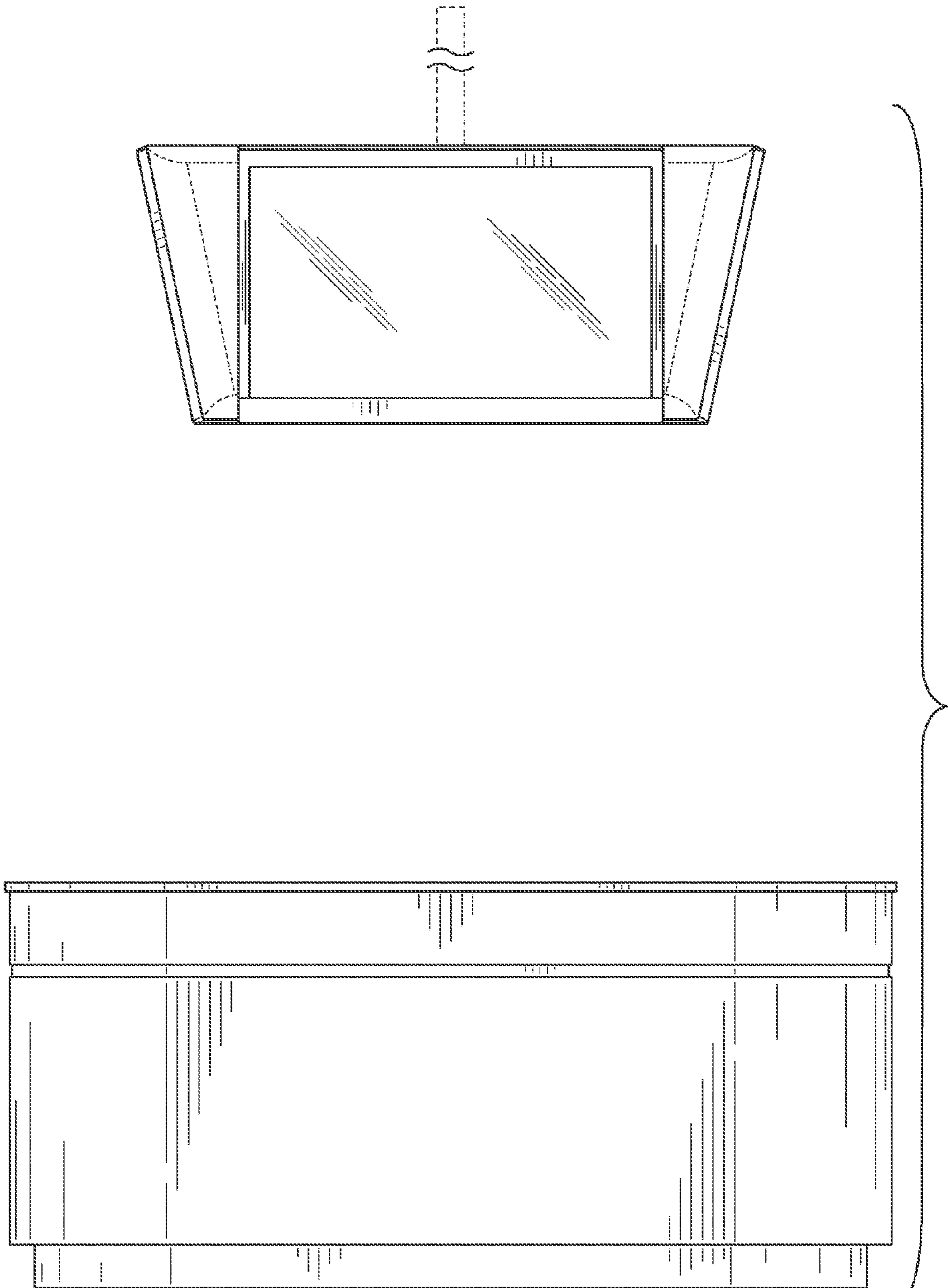


FIG. 2

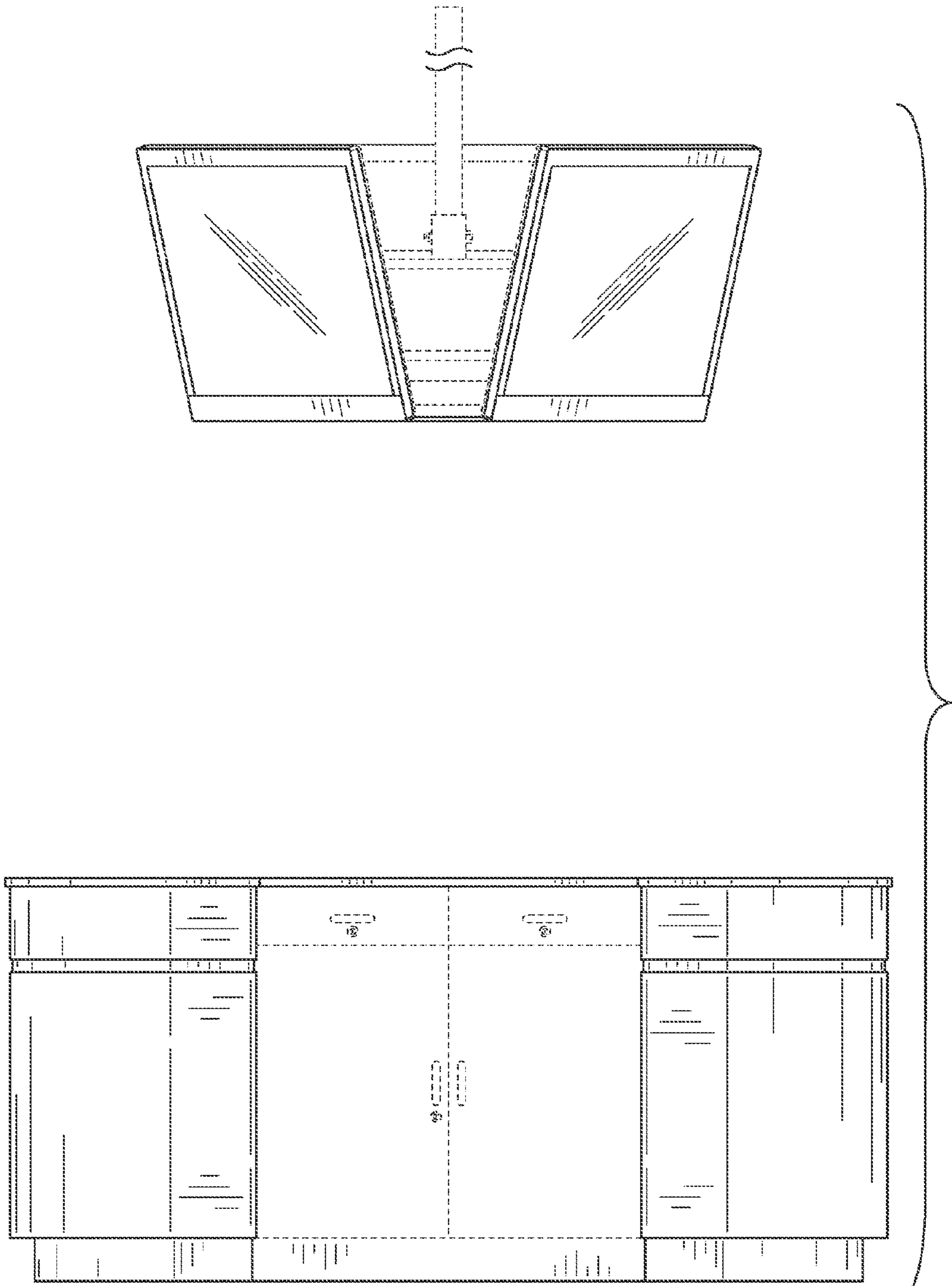


FIG. 3

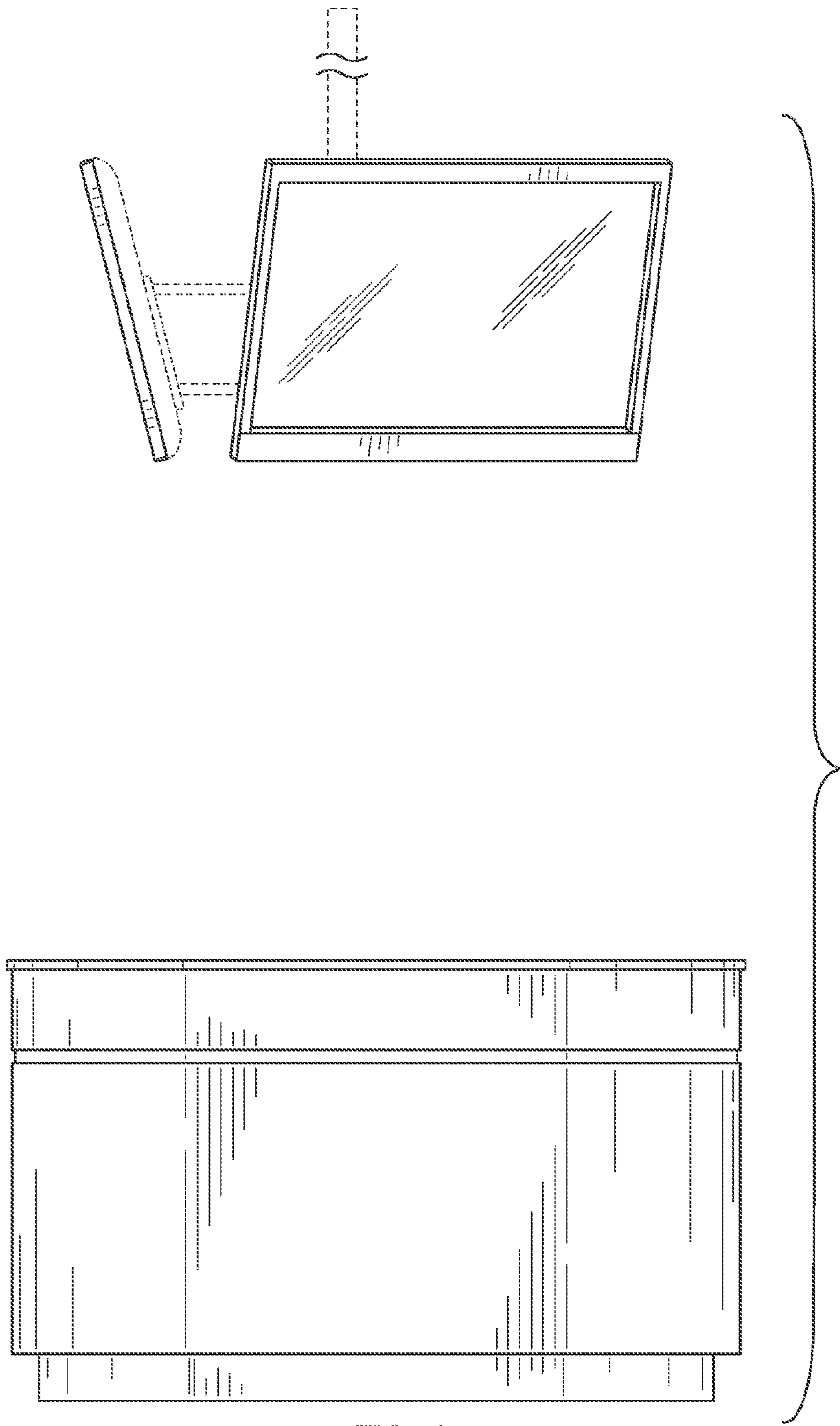


FIG. 4

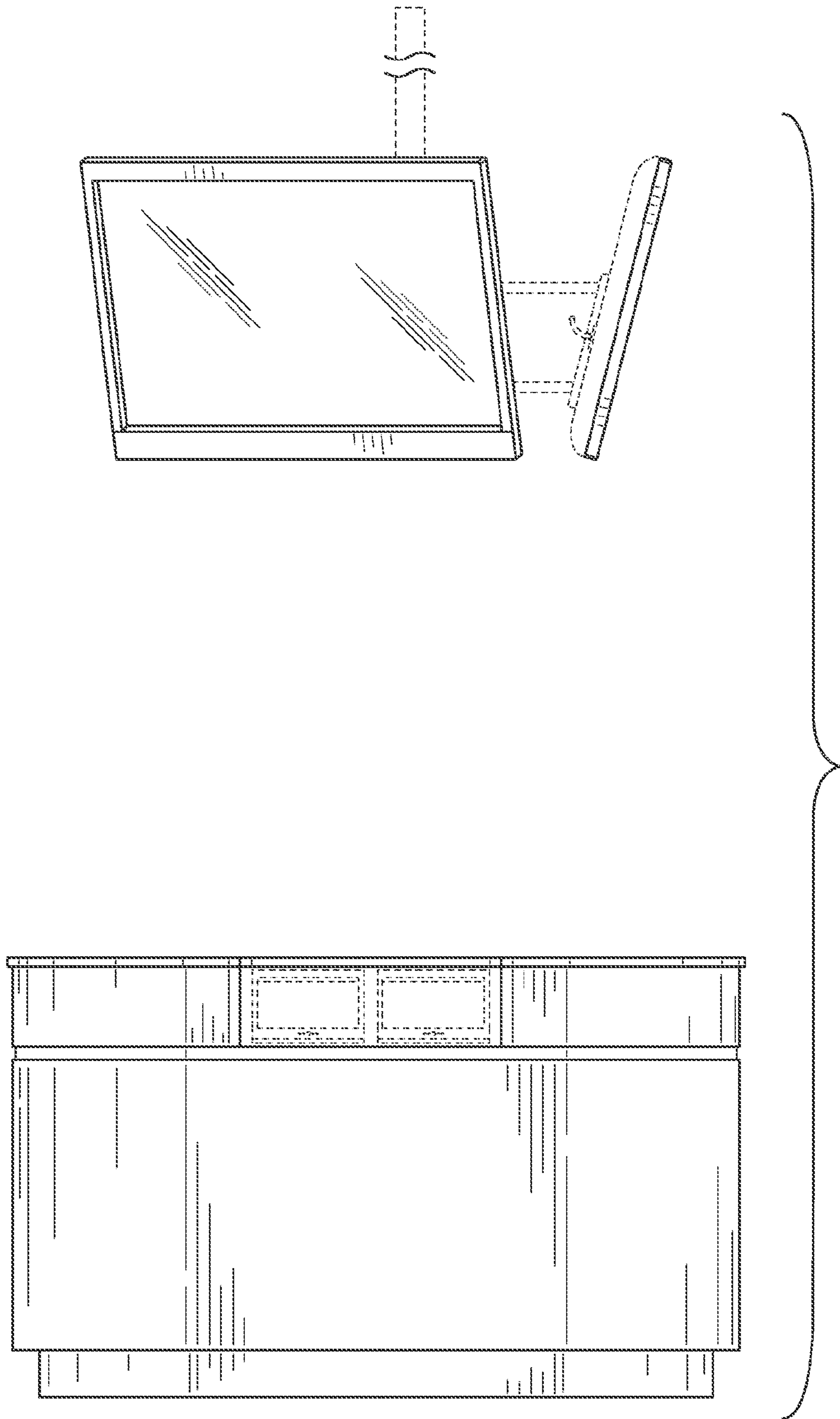


FIG. 5

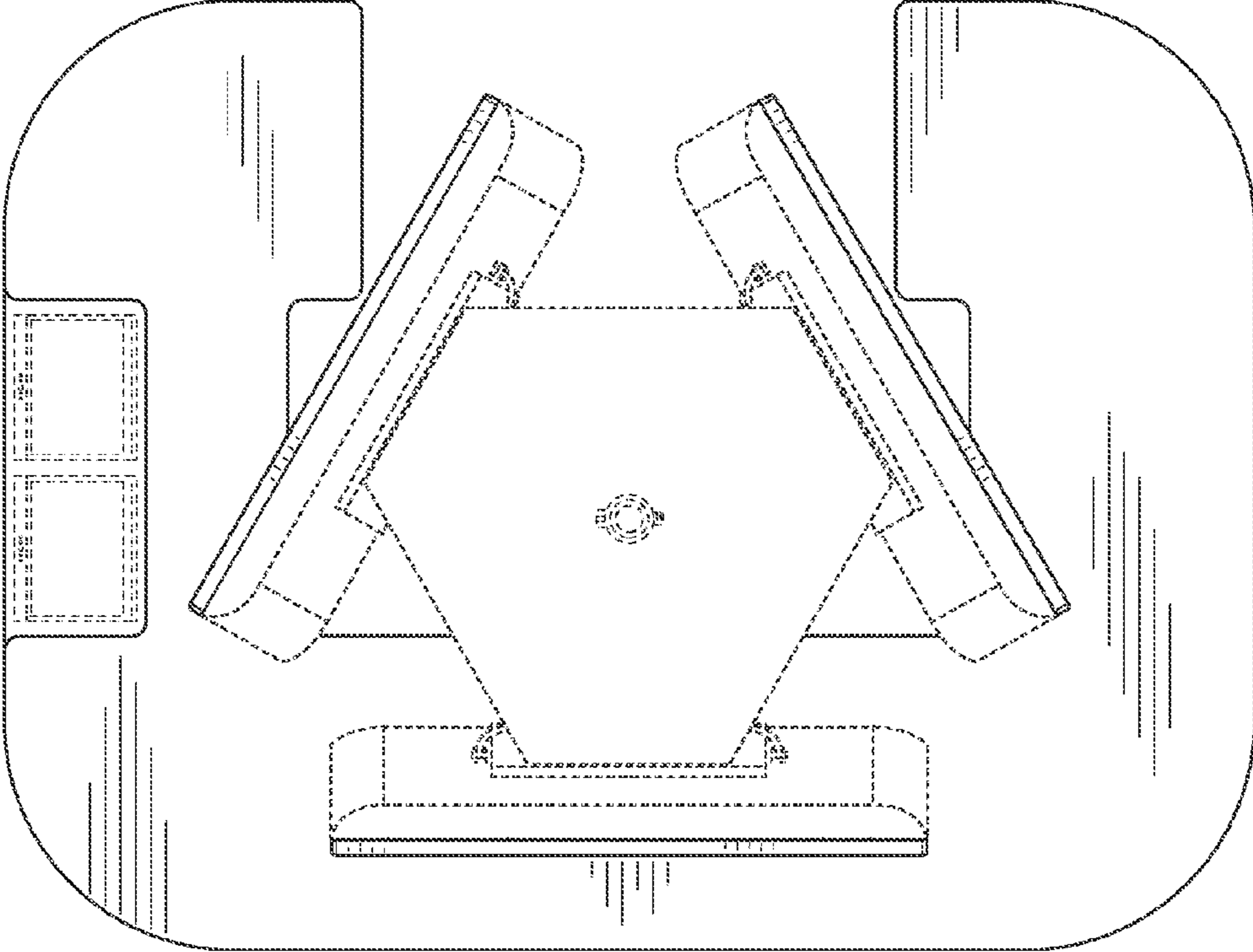


FIG. 6