



US00D687639S

(12) **United States Design Patent**  
**Grotta et al.**

(10) **Patent No.:** **US D687,639 S**  
(45) **Date of Patent:** **\*\* Aug. 13, 2013**

(54) **OTTOMAN**

(75) Inventors: **Stephanie Ann Grotta**, Minneapolis, MN (US); **Joshua Alan Hughes**, Delano, MN (US); **Daniel Joseph Hoyord**, St. Paul, MN (US); **Sara Lynne Pedersen**, Minneapolis, MN (US)

(73) Assignee: **Target Brands, Inc.**, Minneapolis, MN (US)

(\*\*) Term: **14 Years**

(21) Appl. No.: **29/393,949**

(22) Filed: **Jun. 10, 2011**

(51) **LOC (9) Cl.** ..... **06-01**

(52) **U.S. Cl.**

USPC ..... **D6/349**; D6/369

(58) **Field of Classification Search**

USPC ..... D6/335, 340, 344, 349–355, 495, D6/500–502; 297/16.1, 175, 187, 195.1, 297/423.1, 423.11, 423.14, 423.16, 461, 297/462

See application file for complete search history.

(56) **References Cited**

**U.S. PATENT DOCUMENTS**

D268,234 S *	3/1983	Claman	.....	D6/349
D412,408 S *	8/1999	Navone	.....	D6/369
D461,340 S *	8/2002	Walters, III	.....	D6/484
D508,336 S *	8/2005	Suzuki et al.	.....	D6/349
D554,872 S	11/2007	Wimberger		
D647,714 S *	11/2011	Hoyord et al.	.....	D6/361
D659,434 S *	5/2012	Sofield	.....	D6/484
D663,552 S *	7/2012	Hughes et al.	.....	D6/486
D663,553 S *	7/2012	Pedersen et al.	.....	D6/486

**OTHER PUBLICATIONS**

Smith & Hawken® Premium Quality Belvi Woven Ottoman. [online] Retrieved Feb. 28, 2013 from URL: <<http://www.target.com/p/>

smith-hawken-premium-quality-belvi-woven-ottoman/-/A-13324494>.\*

Torrey All-Weather Wicker Ottoman. [online] Retrieved Feb. 28, 2013 from URL: <[www.potterybarn.com/products/torrey-all-weather-wicker-ottoman](http://www.potterybarn.com/products/torrey-all-weather-wicker-ottoman)>.\*

Monterey Rectangular Ottoman with Cushion. [online] Retrieved Feb. 28, 2013 from URL: <[www.frontgate.com/monterey-rectangular-ottoman-with-cushion/417840](http://www.frontgate.com/monterey-rectangular-ottoman-with-cushion/417840)>.\*

(Continued)

*Primary Examiner* — Susan Bennett Hattan

*Assistant Examiner* — Vy Koenig

(74) *Attorney, Agent, or Firm* — Leanne Taveggia Farrell; Westman, Champlin & Kelly, P.A.

(57) **CLAIM**

The ornamental design for an ottoman, as shown and described.

**DESCRIPTION**

FIG. 1 is a perspective view of the ottoman with an unclaimed cushion.

FIG. 2 is a perspective view of the ottoman without the unclaimed cushion.

FIG. 3 is a front elevational view of the ottoman of FIG. 2.

FIG. 4 is a rear elevational view of the ottoman of FIG. 2.

FIG. 5 is a left side view of the ottoman of FIG. 2.

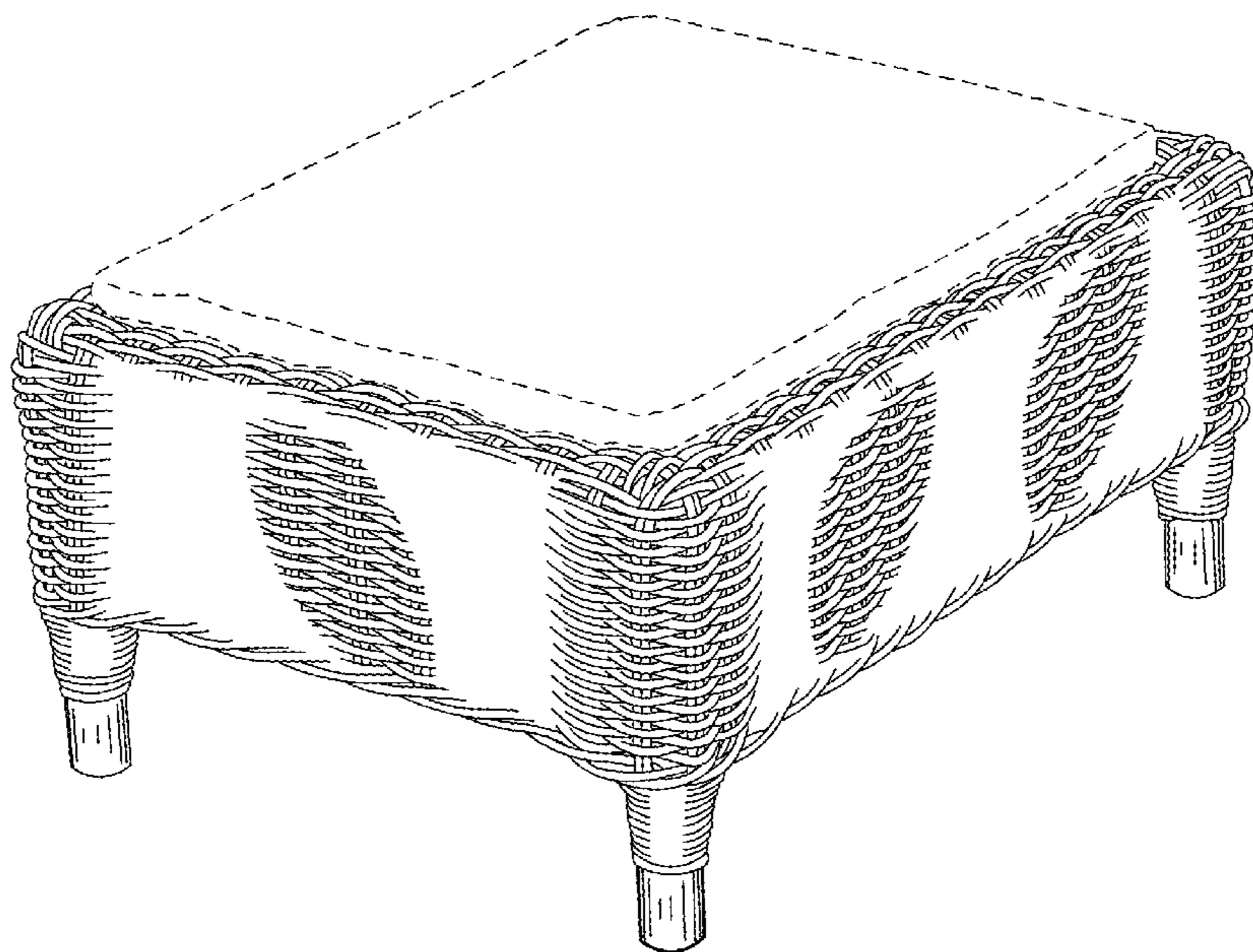
FIG. 6 is a right side view of the ottoman of FIG. 2.

FIG. 7 is a top view of the ottoman of FIG. 2; and,

FIG. 8 is a bottom view of the ottoman of FIG. 2.

The dashed lines of FIGS. 1, 3, 4, 5, 6 and 8 show environmental features that form no part of the claimed design. The woven pattern partially shown on the sides and interior of the ottoman is continuous throughout.

**1 Claim, 6 Drawing Sheets**



(56)

**References Cited**

## OTHER PUBLICATIONS

Henry Link Matching Sofa and Table Set, [http://cgi.ebay.com/henry-link-wicker-settee-and-glass-top-end-table-mint-/170572554451?pt=Antiques\\_Furniture&hash=item27b6eaa0d3](http://cgi.ebay.com/henry-link-wicker-settee-and-glass-top-end-table-mint-/170572554451?pt=Antiques_Furniture&hash=item27b6eaa0d3), Printed Mar. 17, 2011.

Restoration Hardware Hampshire Collection, <http://www.restorationhardware.com/catalog/category/products.jsp?link=Hampshire&categoryId=cat1696020>, printed Jun. 7, 2011.  
Restoration Hardware Hampshire Collection 2, [http://images.restorationhardware.com/content/catalog/tearsheets//Furniture\\_Hampshire.pdf](http://images.restorationhardware.com/content/catalog/tearsheets//Furniture_Hampshire.pdf), printed Jun. 7, 2011.

Summerlin lounge chair with sunbrella stone cushion, <http://www.crateandbarrel.com/outdoor-furniture/outdoor-lounging/summerlin-lounge-chair-with-sunbrella-stone-cushion/s177515>, printed Jun. 7, 2011.

Summerlin complete collection, <http://www.crateandbarrel.com/outdoor-furniture/summerlin-furniture/complete-collection/f42181#>, printed Jun. 7, 2011.

Pottery Barn Palmetto Collection, <http://www.potterybarn.com/shop/outdoor/palmetto-outdoor/?page=viewall>, printed Jun. 7, 2011.

Bouroullec Slow Chair, <http://www.bouroullec.com/>, printed Jun. 7, 2011.

Hemisphere rounded outdoor furniture from dedon, <http://www.modresdes.com/2010/05/hemisphere-rounded-outdoor-furniture-from-dedon/>, May 24, 2010.

Siesta Wicker Rattan Coffee Table Set, <http://www.newageoutdoors.com.au/xcart/product.php?productid=17533>, printed Feb. 8, 2011.

Toulon Wicker Ottoman/Coffee, [http://www.patiofurnitureusa.com/patio-tables/coffee-tables/wickerottomancoffeetable.cfm?TID=OKC038-2&source=channel\\_intelligence\\_jellyfish&srccode=cii\\_18492716&cpnocode=21-117880058-2](http://www.patiofurnitureusa.com/patio-tables/coffee-tables/wickerottomancoffeetable.cfm?TID=OKC038-2&source=channel_intelligence_jellyfish&srccode=cii_18492716&cpnocode=21-117880058-2), printed Jun. 6, 2011.

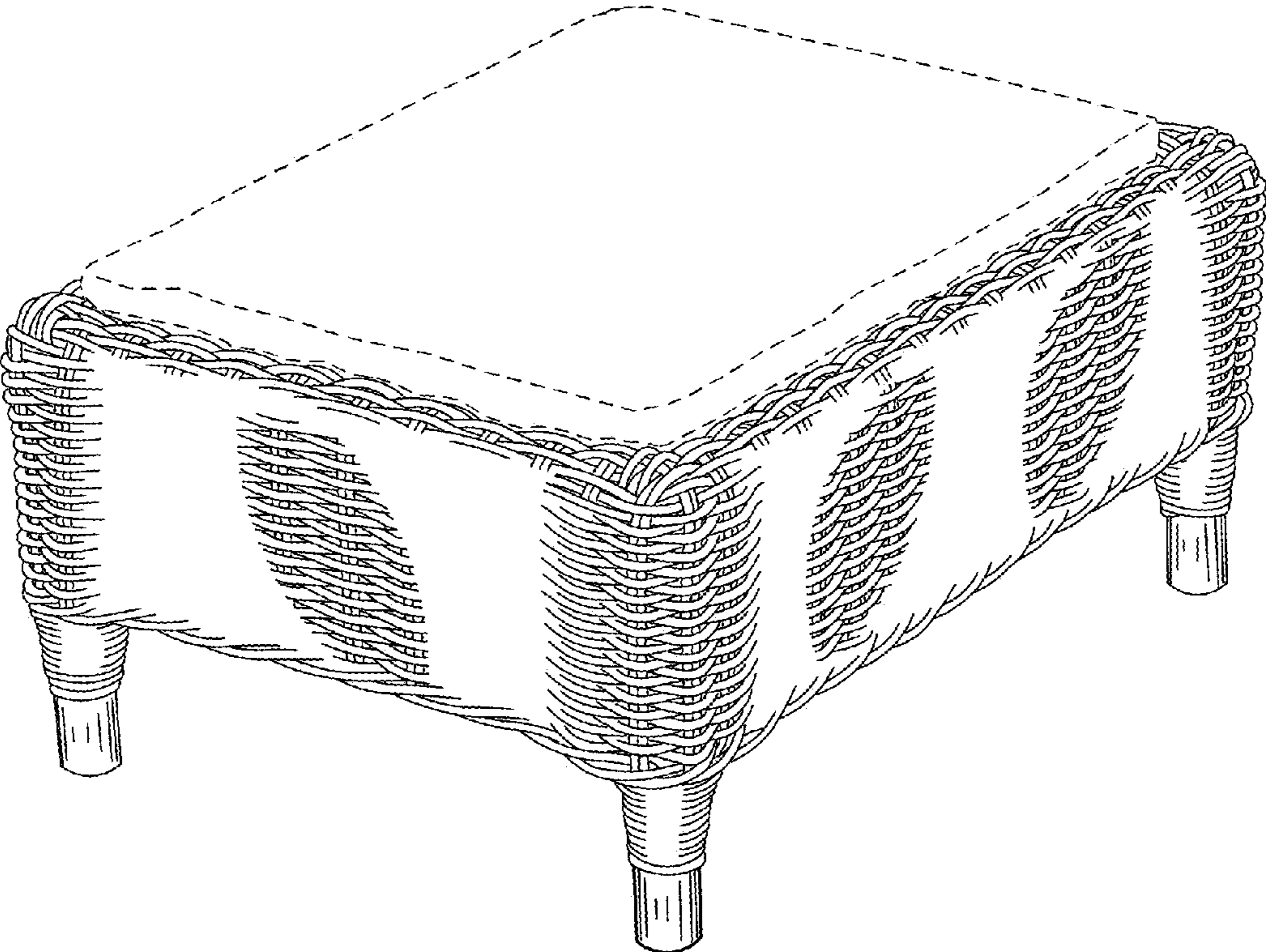
Zerk ING outdoor wicker furniture, <http://www.ecvv.com/product/2841760.html>, printed Feb. 8, 2011.

Gloster Horizon Club Side Table 24 Round, <http://www.authenteak.com/End-and-Side-Tables/Gloster-Horizon-Club-Side-Table-24-Round.asp>, printed Feb. 8, 2011.

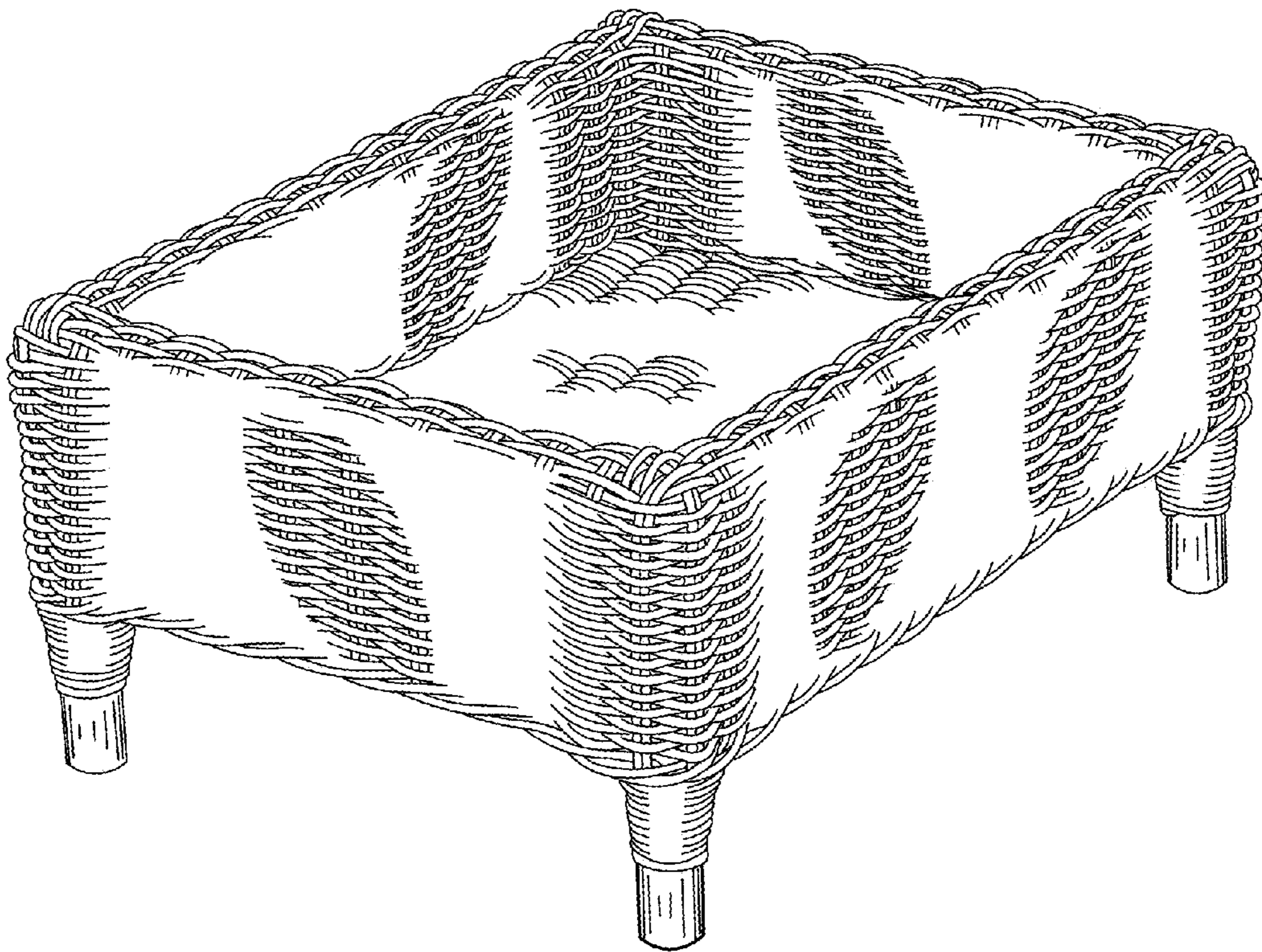
Henry Link Chair, found in a U.S. residence before Mar. 10, 2011.

Wicker lounge Chair, Elle Decoration UK, issue #216, Aug. 2010.

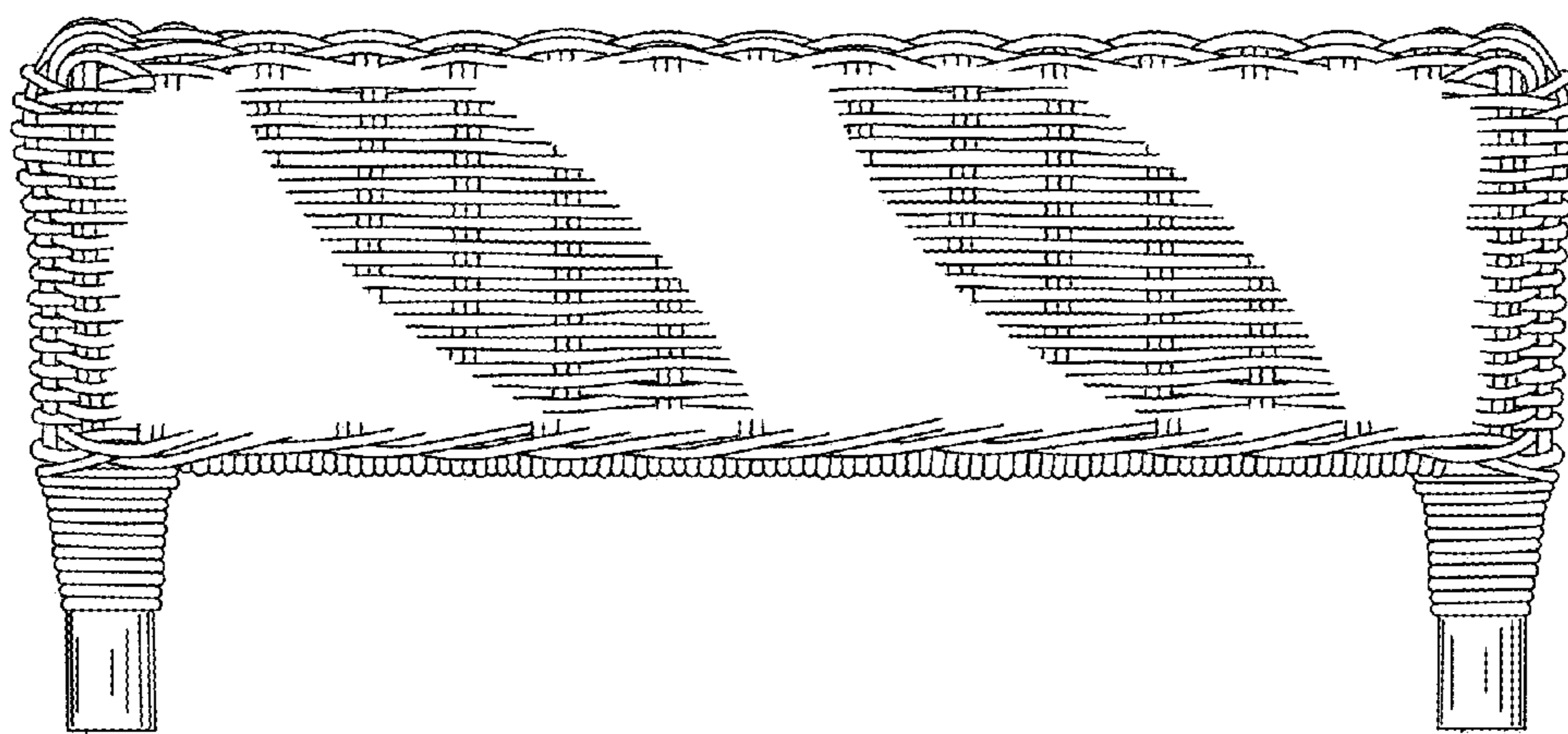
\* cited by examiner



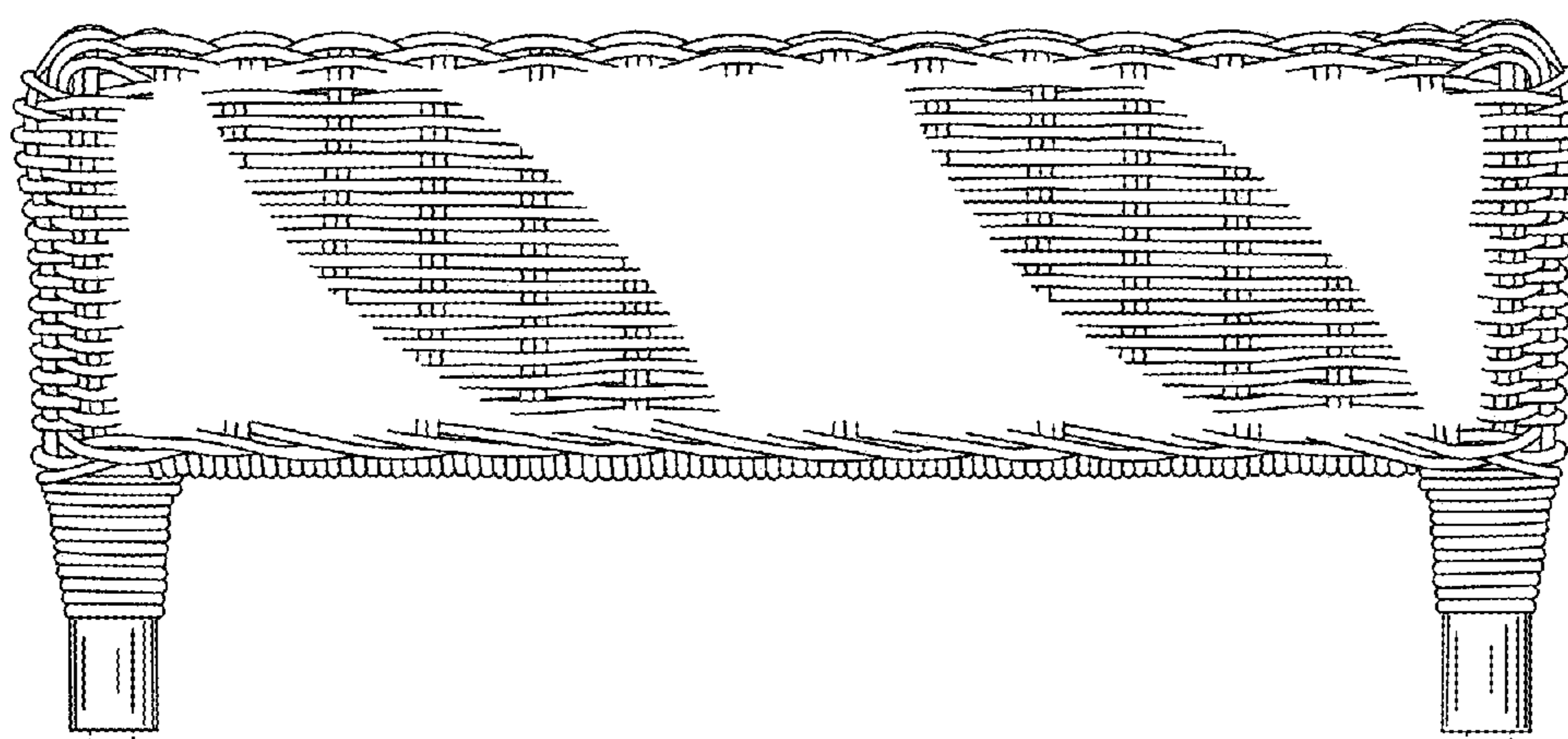
*FIG. 1*



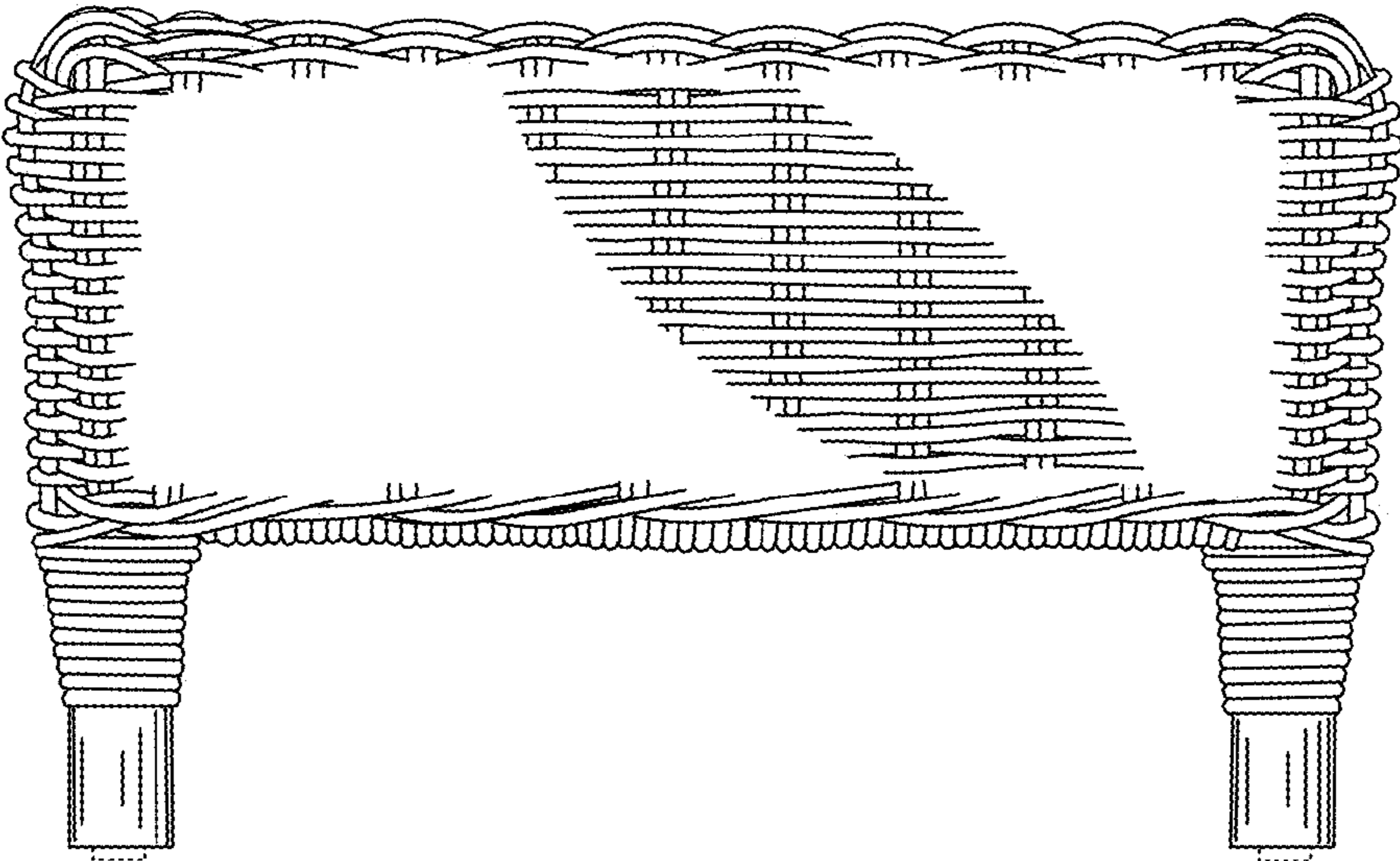
*FIG. 2*



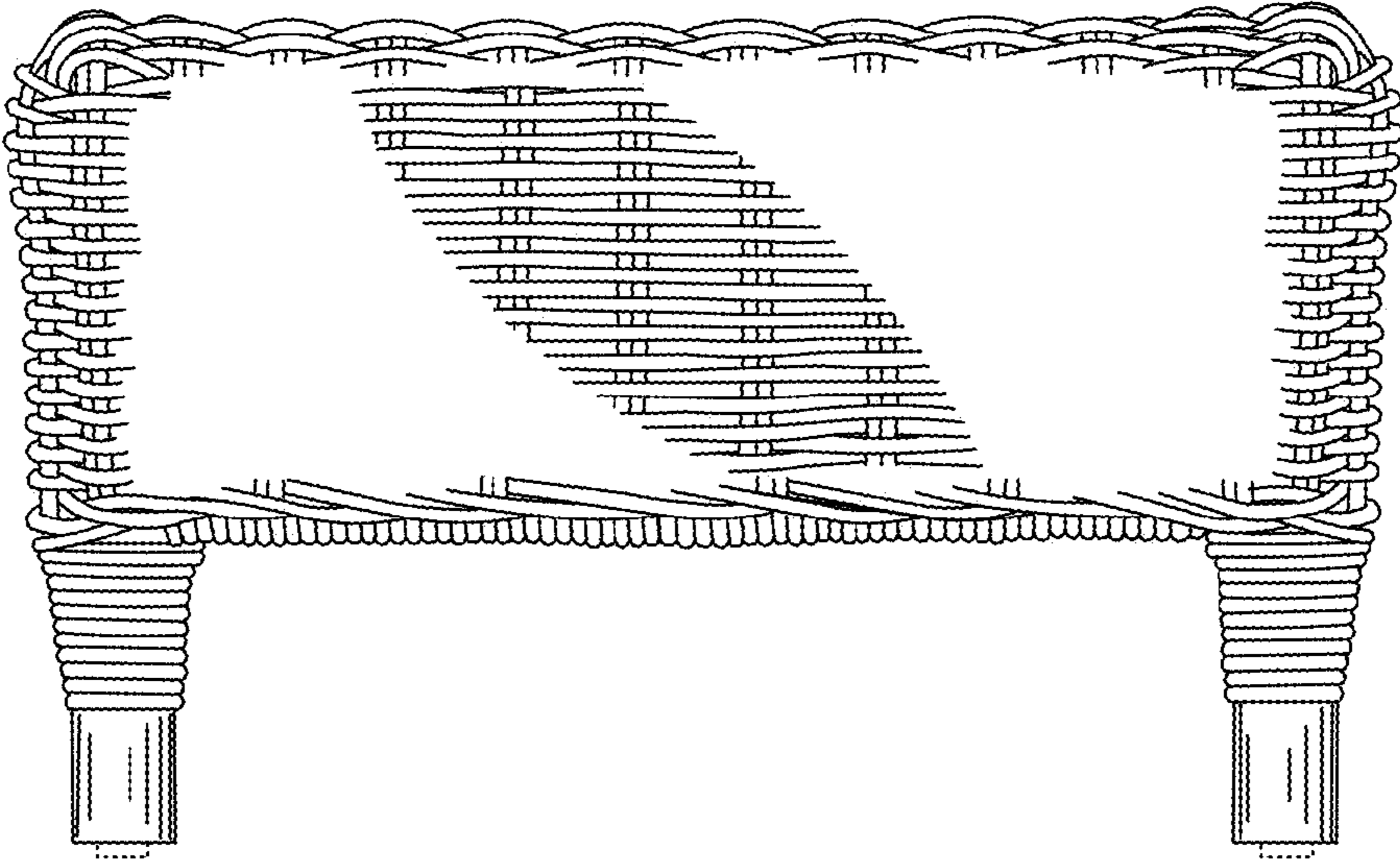
*FIG. 3*



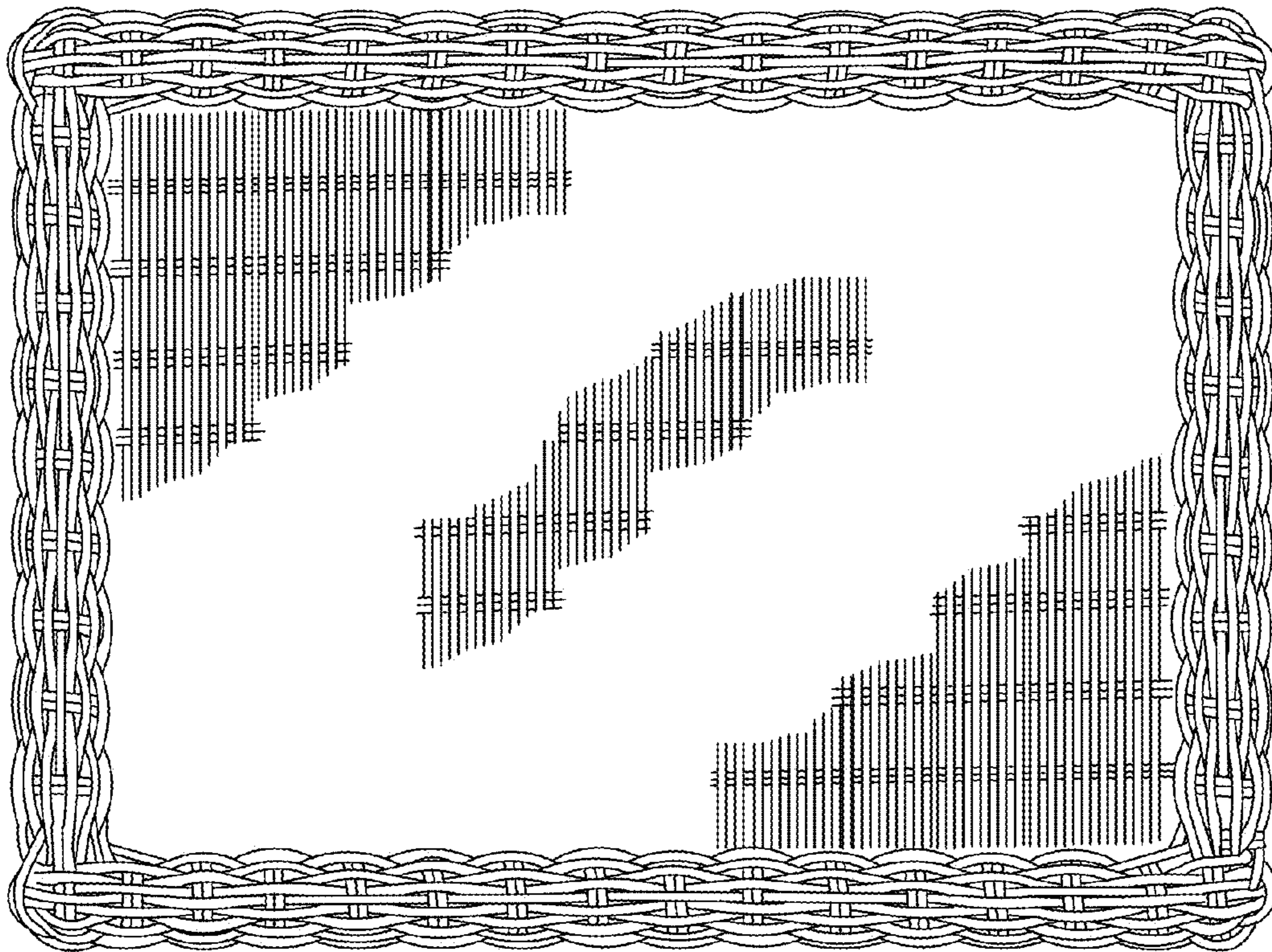
*FIG. 4*



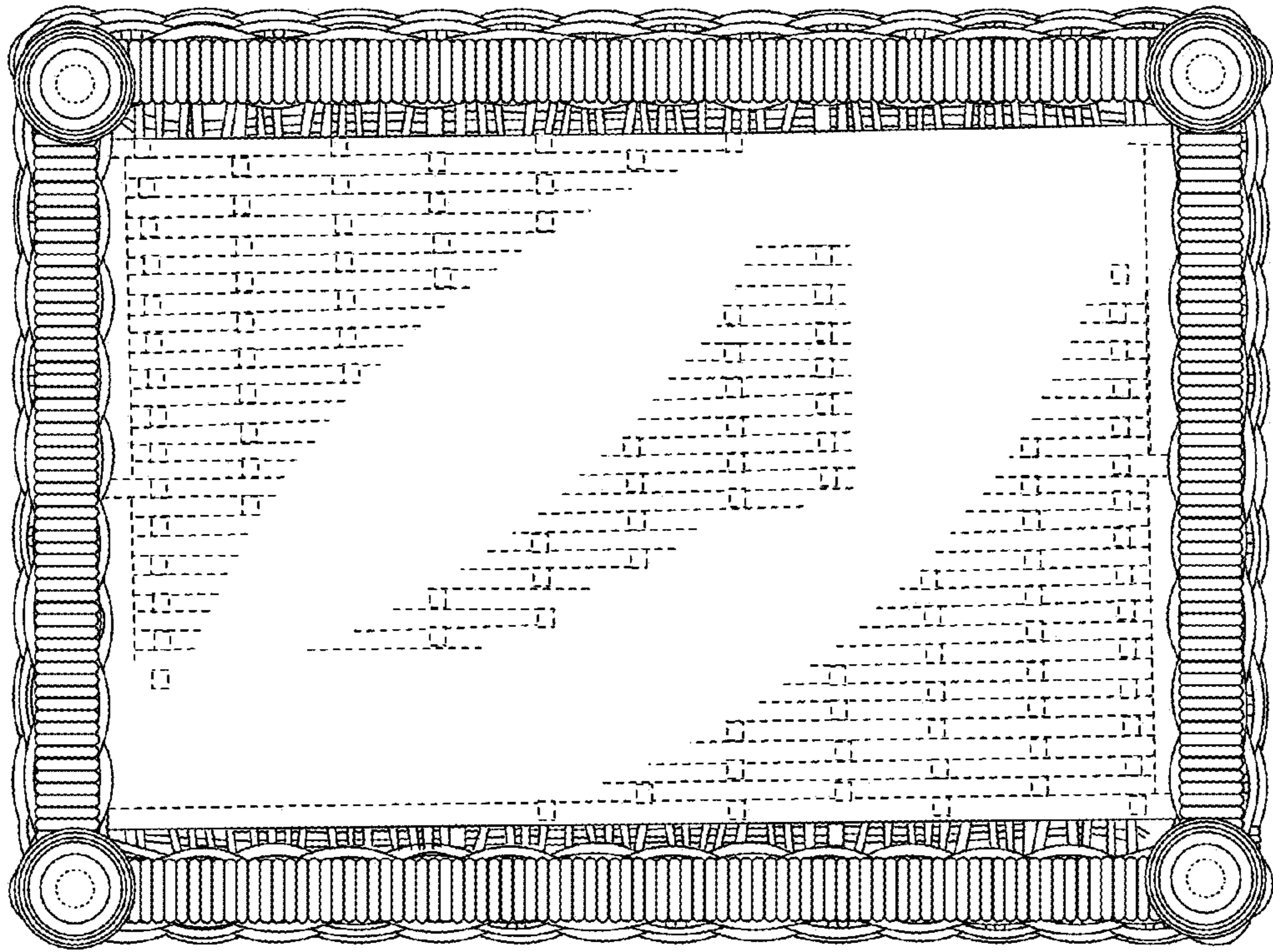
*FIG. 5*



*FIG. 6*



*FIG. 7*



*FIG. 8*