



US00D687638S

(12) **United States Design Patent**
Beda et al.

(10) **Patent No.:** **US D687,638 S**

(45) **Date of Patent:** **** Aug. 13, 2013**

(54) **BABY SEAT**

(75) Inventors: **Richard Beda**, West Long Branch, NJ
(US); **Edwin Livian**, Great Neck, NY
(US)

(73) Assignee: **Gum Drops LLC**, New York, NY (US)

(**) Term: **14 Years**

(21) Appl. No.: **29/430,826**

(22) Filed: **Aug. 30, 2012**

Related U.S. Application Data

(63) Continuation-in-part of application No. 29/425,694,
filed on Jun. 26, 2012.

(51) **LOC (9) Cl.** **06-01**

(52) **U.S. Cl.**
USPC **D6/333**

(58) **Field of Classification Search**
USPC D6/333–335, 339, 491, 500–502,
D6/344, 374; 4/572.1, 571.1, 578.1, 586,
4/590; 297/183.1–183.4, 184.13, 184.17,
297/250.1, 256.1, 467, 487, 488; D21/419,
D21/412

See application file for complete search history.

(56) **References Cited**

U.S. PATENT DOCUMENTS

D283,855	S	*	5/1986	Kujawski	D6/333
D327,175	S	*	6/1992	Mariol	D6/335
D376,919	S	*	12/1996	Sedlack	D6/333
D553,865	S	*	10/2007	Buitendach	D6/333
D592,865	S	*	5/2009	Yeung	D6/333
D623,426	S	*	9/2010	Ramer et al.	D6/333
D630,448	S	*	1/2011	Xu et al.	D6/333
D652,221	S	*	1/2012	Lee	D6/333
D658,394	S	*	5/2012	Debevec et al.	D6/333

* cited by examiner

Primary Examiner — Caron D Veynar

Assistant Examiner — Abraham Bahta

(74) *Attorney, Agent, or Firm* — Pearl Cohen Zedek Latzer,
LLP

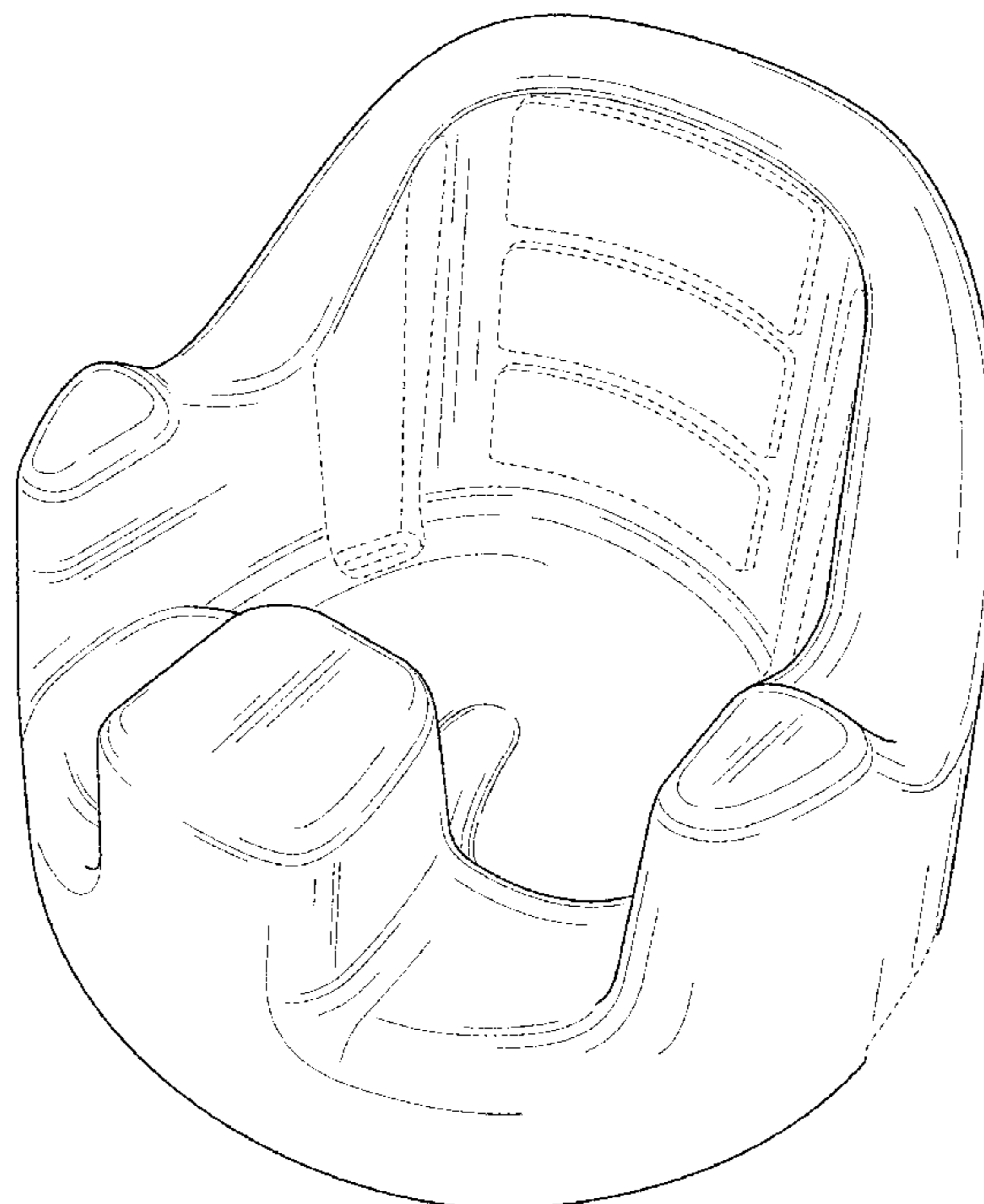
(57) **CLAIM**

The ornamental design for a baby seat, as shown and
described.

DESCRIPTION

FIG. 1 is a front, top, right side perspective view of the baby
seat;
FIG. 2 is a front elevational view of the baby seat;
FIG. 3 is a back elevational view of the baby seat;
FIG. 4 is a left side elevational view of the baby seat, the right
side elevational view being a mirror image thereof;
FIG. 5 is a top plan view of the baby seat; and,
FIG. 6 is a bottom plan view of the baby seat.
The portions of the baby seat shown in broken lines form no
part of the claimed design.

1 Claim, 4 Drawing Sheets



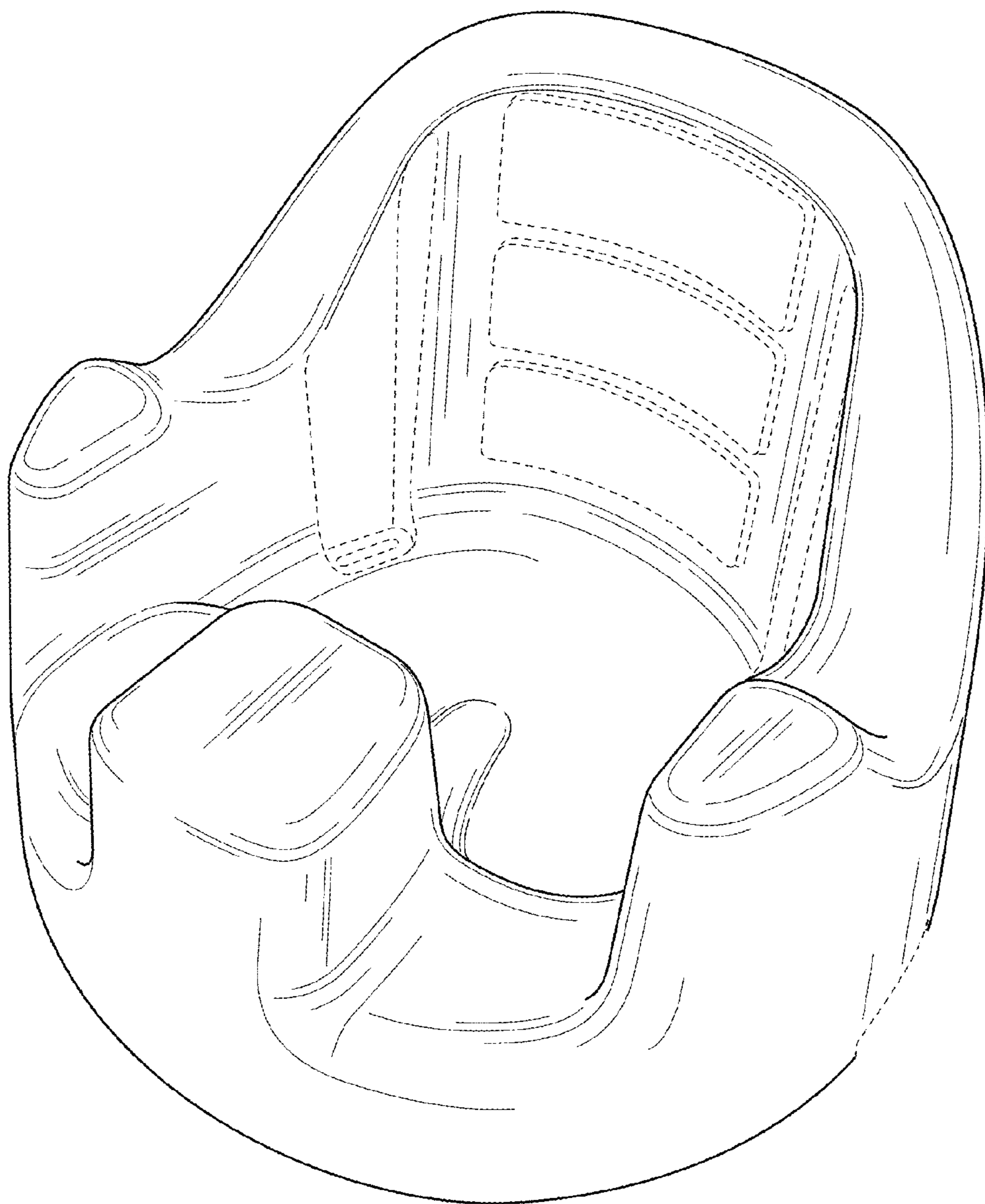


FIG. 1

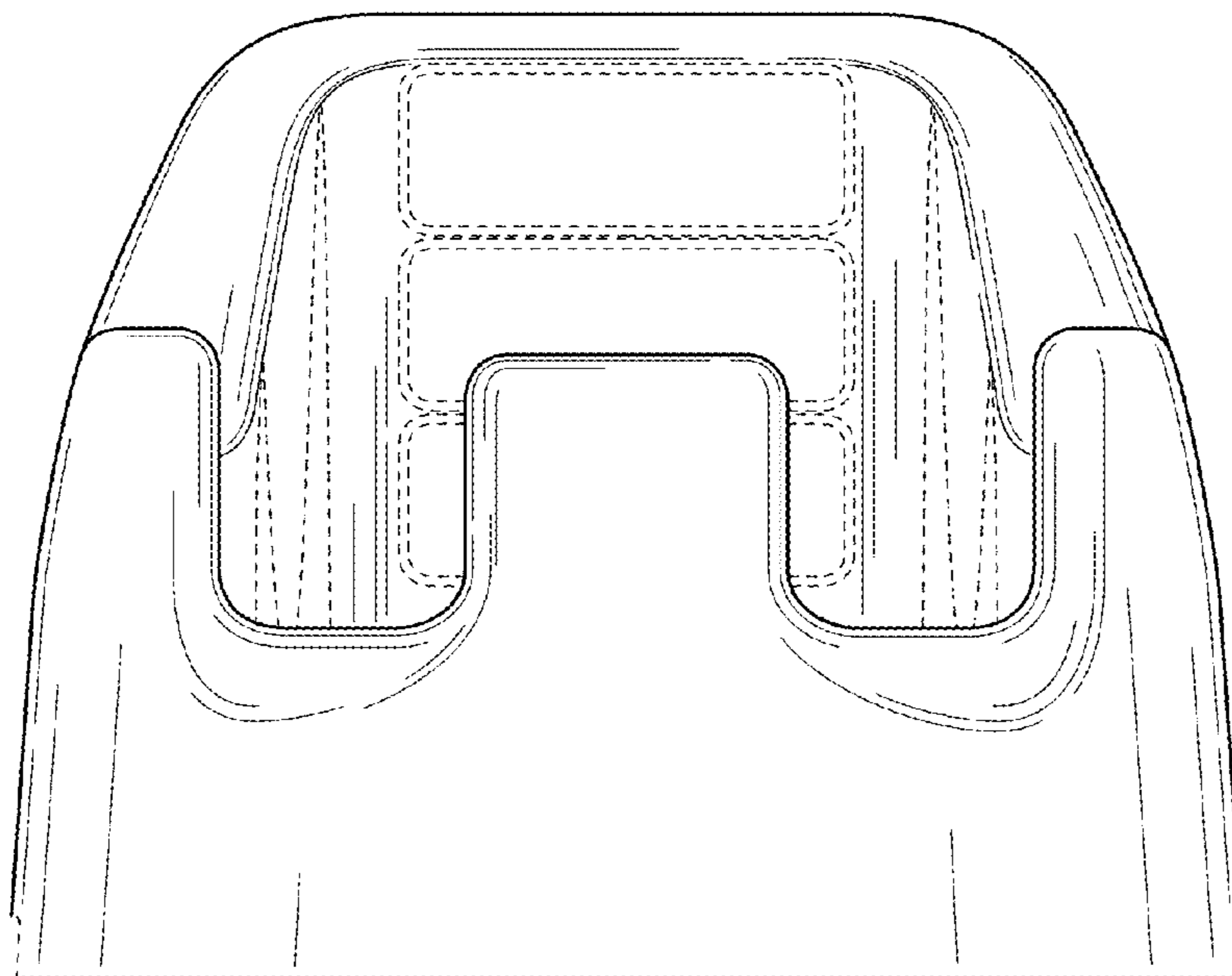


FIG. 2

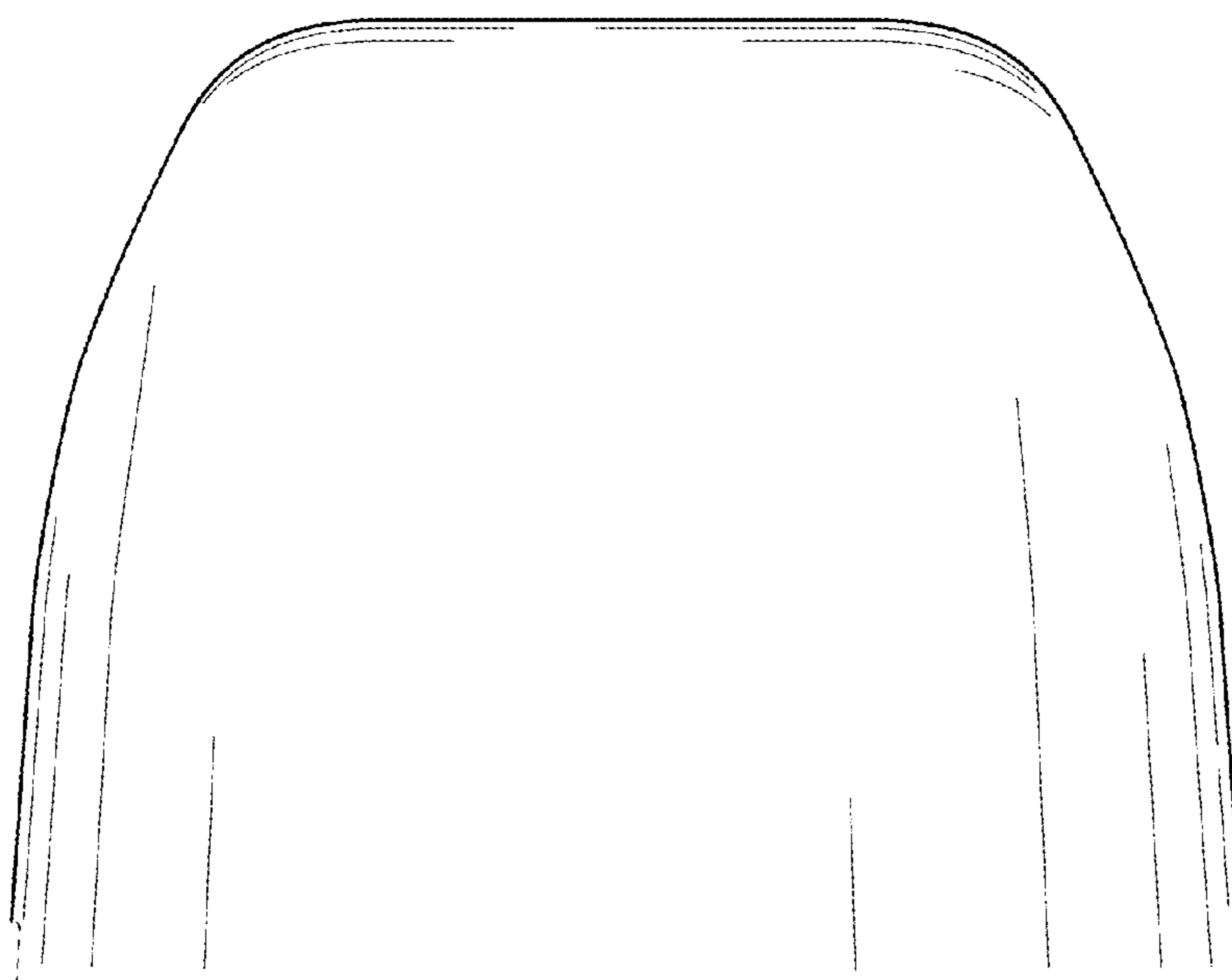


FIG. 3

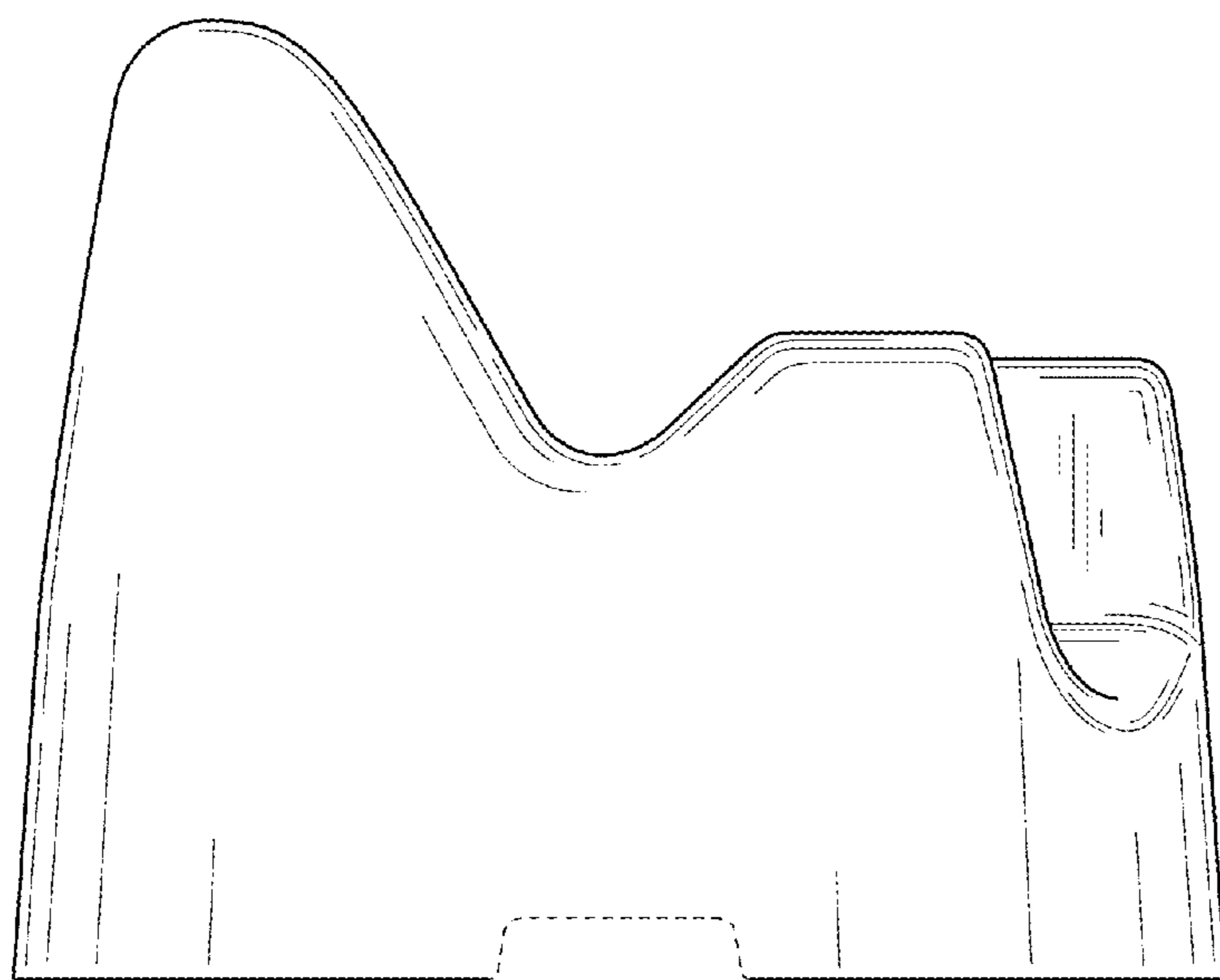


FIG. 4

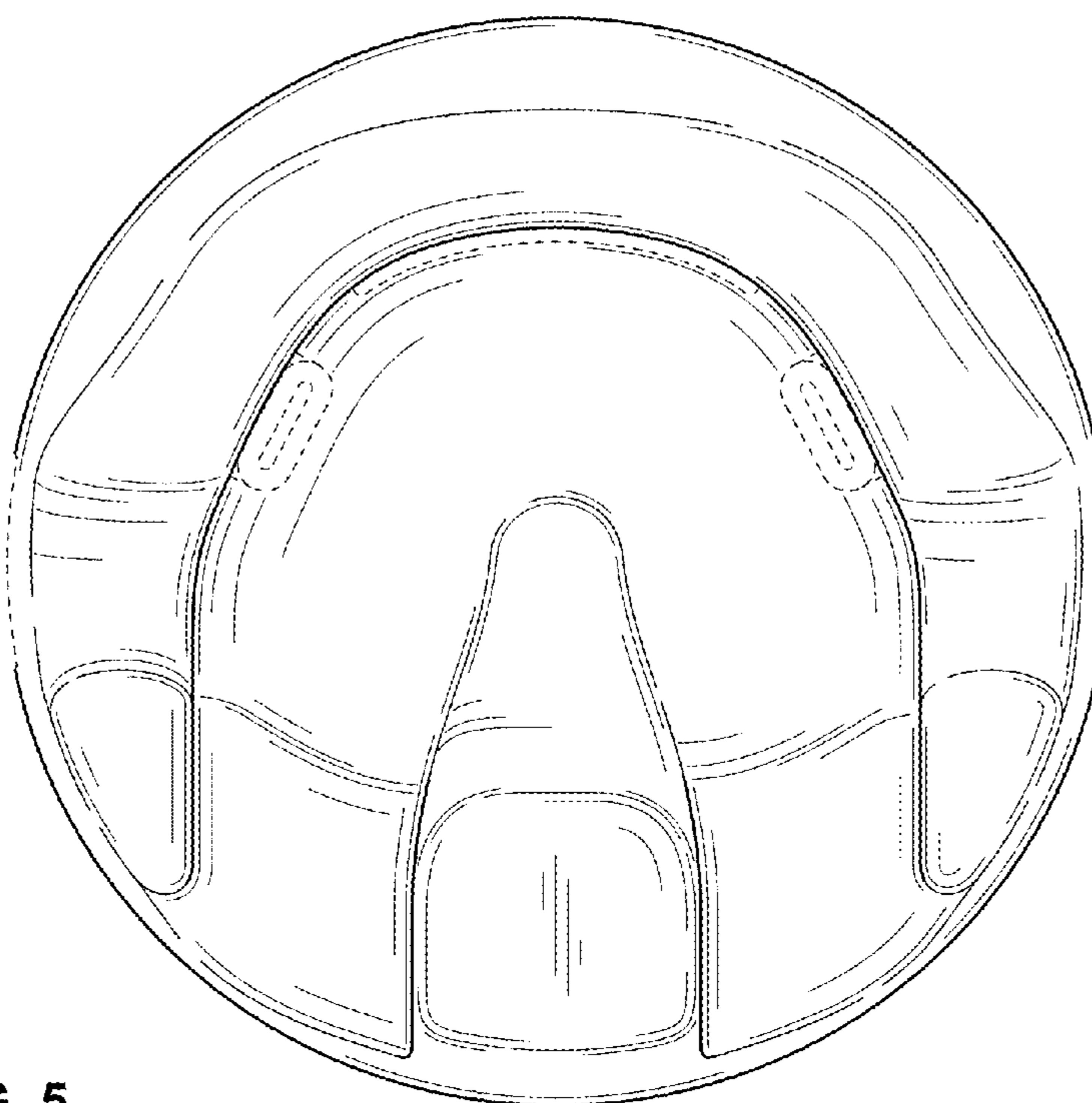


FIG. 5

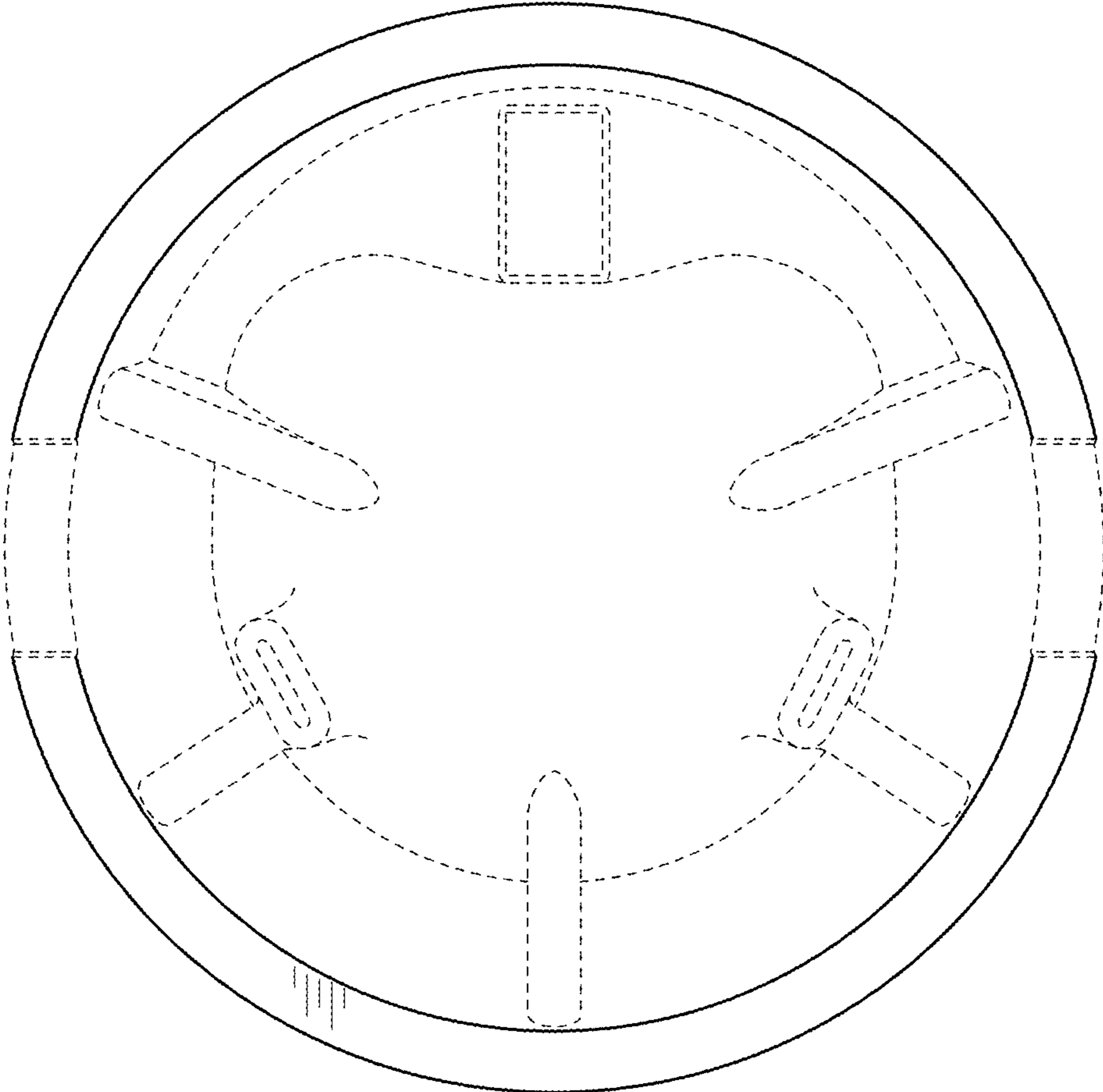


FIG. 6