



US00D687637S

(12) **United States Design Patent**  
**Sheldon**

(10) **Patent No.:** **US D687,637 S**

(45) **Date of Patent:** **\*\* Aug. 13, 2013**

(54) **CLOTHES HANGER**

(71) Applicant: **Carol H. Sheldon**, Hackensack, NJ (US)

(72) Inventor: **Carol H. Sheldon**, Hackensack, NJ (US)

(\*\*) Term: **14 Years**

(21) Appl. No.: **29/436,144**

(22) Filed: **Nov. 1, 2012**

(51) **LOC (9) Cl.** ..... **06-08**

(52) **U.S. Cl.**  
USPC ..... **D6/326**

(58) **Field of Classification Search**  
USPC ..... D6/315–328; 223/85–98; 211/1,  
211/13.1, 85.3, 86.01, 105.2, 106.1, 123,  
211/124, 183; 248/317, 339  
See application file for complete search history.

(56) **References Cited**

**U.S. PATENT DOCUMENTS**

1,584,311	A *	5/1926	McKenna	.....	223/88
1,750,905	A *	3/1930	Schilpp	.....	223/91
1,815,673	A *	7/1931	Kelley	.....	211/119
1,937,646	A *	12/1933	Fletcher	.....	211/89.01
2,191,022	A *	2/1940	La Veau	.....	211/89.01
D142,462	S *	10/1945	Anderson	.....	D6/326
D146,997	S *	6/1947	Townsend et al.	.....	D6/326
3,018,026	A *	1/1962	Binkley et al.	.....	223/91
D206,207	S *	11/1966	Stein	.....	D6/319
3,329,279	A *	7/1967	Inghram	.....	211/89.01
4,474,298	A *	10/1984	Bishop	.....	211/118
D376,263	S *	12/1996	Gouldson	.....	D6/315
6,454,109	B1 *	9/2002	Doyle et al.	.....	211/119.01

D541,538	S *	5/2007	Gouldson	.....	D6/326
D642,389	S *	8/2011	Stumpo	.....	D6/326
2005/0247652	A1 *	11/2005	Barber	.....	211/89.01

\* cited by examiner

*Primary Examiner* — Derrick Holland

*Assistant Examiner* — Lauren Calve

(74) *Attorney, Agent, or Firm* — QuickPatents; Kevin Prince

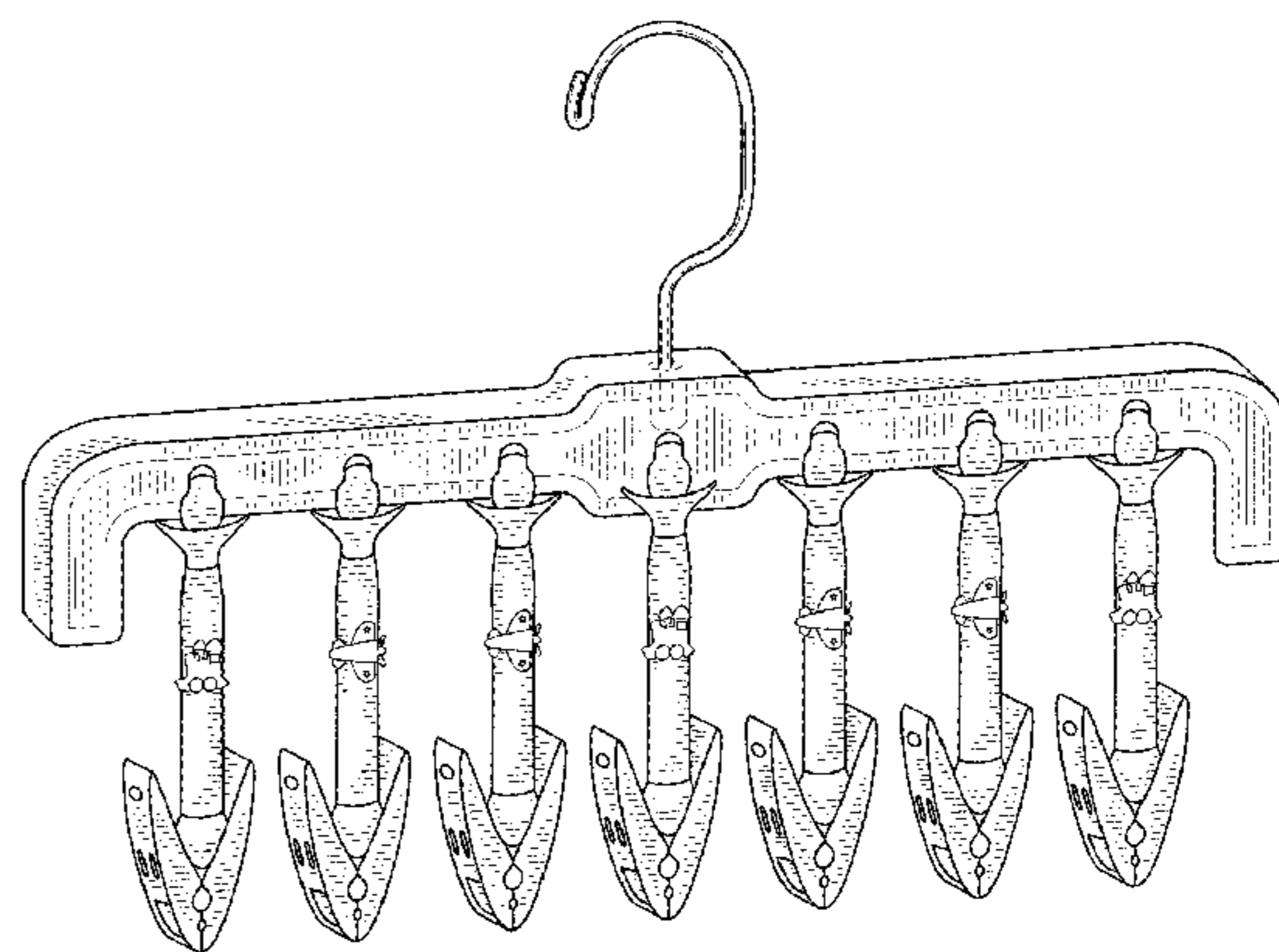
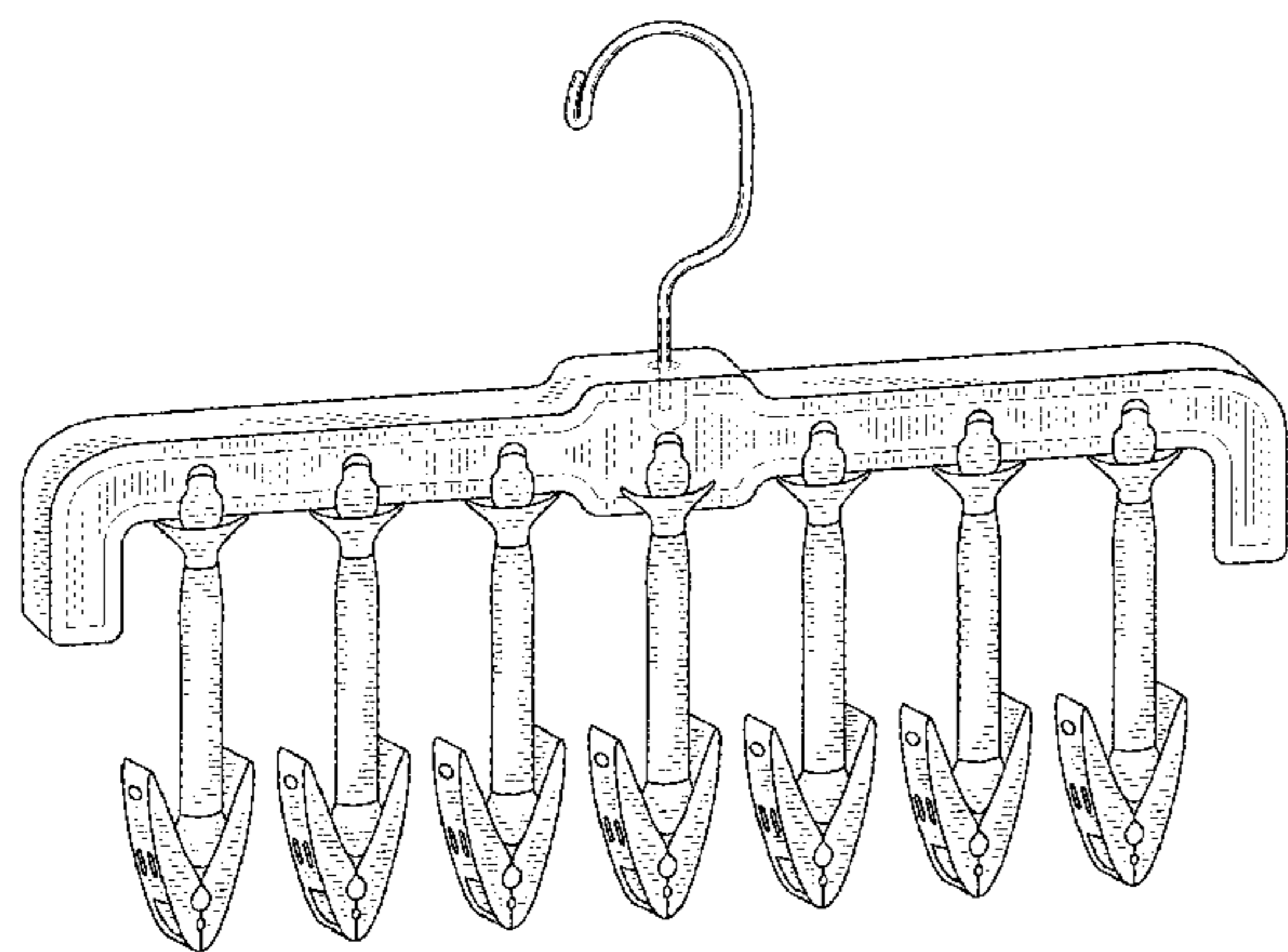
(57) **CLAIM**

I claim the ornamental design for a clothes hanger, as shown and described.

**DESCRIPTION**

FIG. 1 is a perspective view of a clothes hanger, showing a first embodiment of my new design;  
 FIG. 2 is a front elevational view of FIG. 1;  
 FIG. 3 is a rear elevational view of FIG. 1;  
 FIG. 4 is a right-side elevational view of FIG. 1;  
 FIG. 5 is a left-side elevational view of FIG. 1;  
 FIG. 6 is a top plan view of FIG. 1; and,  
 FIG. 7 is a bottom plan view of FIG. 1.  
 FIG. 8 is a perspective view of a second embodiment.  
 FIG. 9 is a front elevational view of FIG. 8;  
 FIG. 10 is a rear elevational view of FIG. 8;  
 FIG. 11 is a right-side elevational view of FIG. 8;  
 FIG. 12 is a left-side elevational view of FIG. 8;  
 FIG. 13 is a top plan view of FIG. 8; and,  
 FIG. 14 is a bottom plan view of FIG. 8.

**1 Claim, 6 Drawing Sheets**



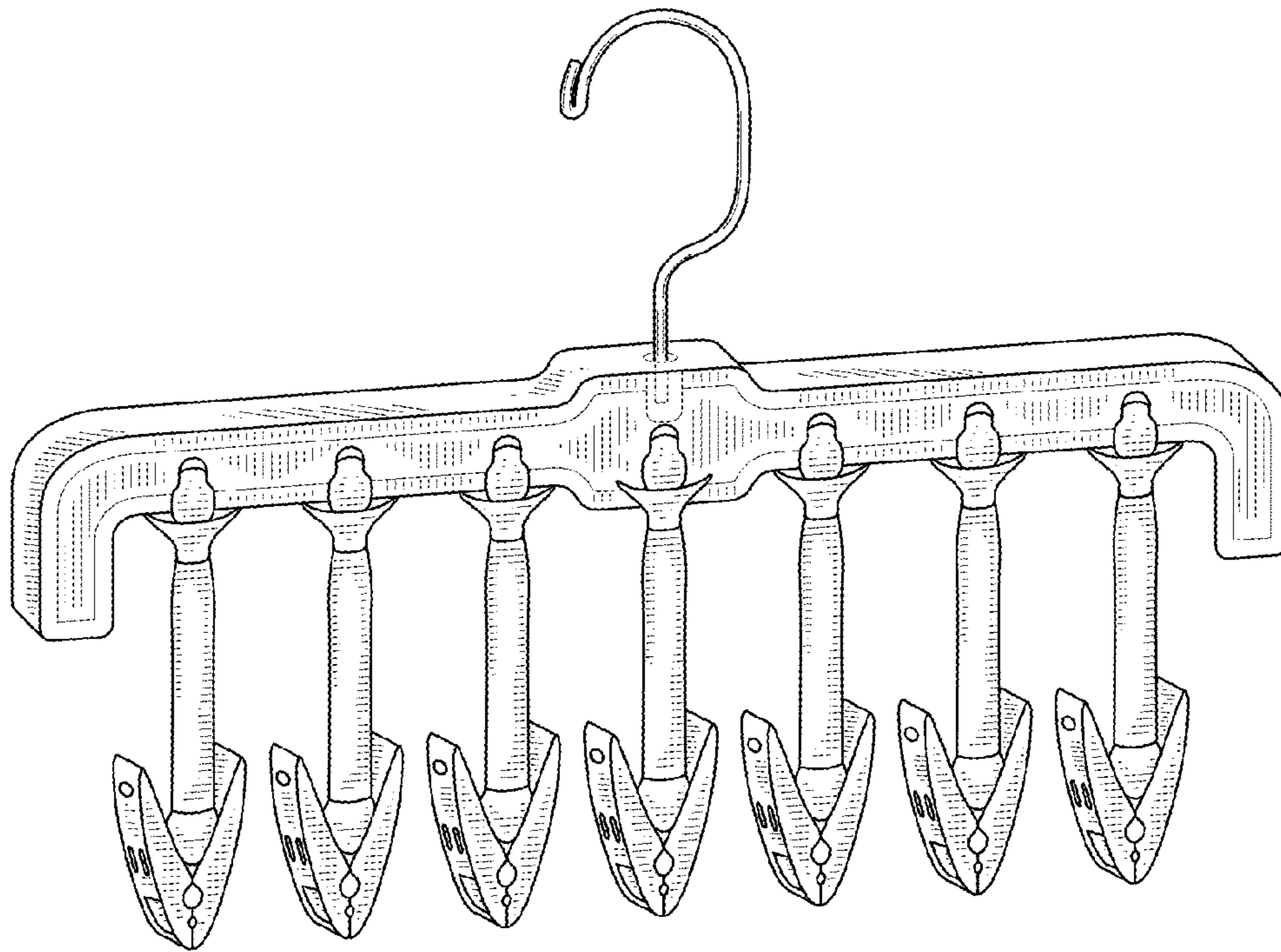


FIG. 1

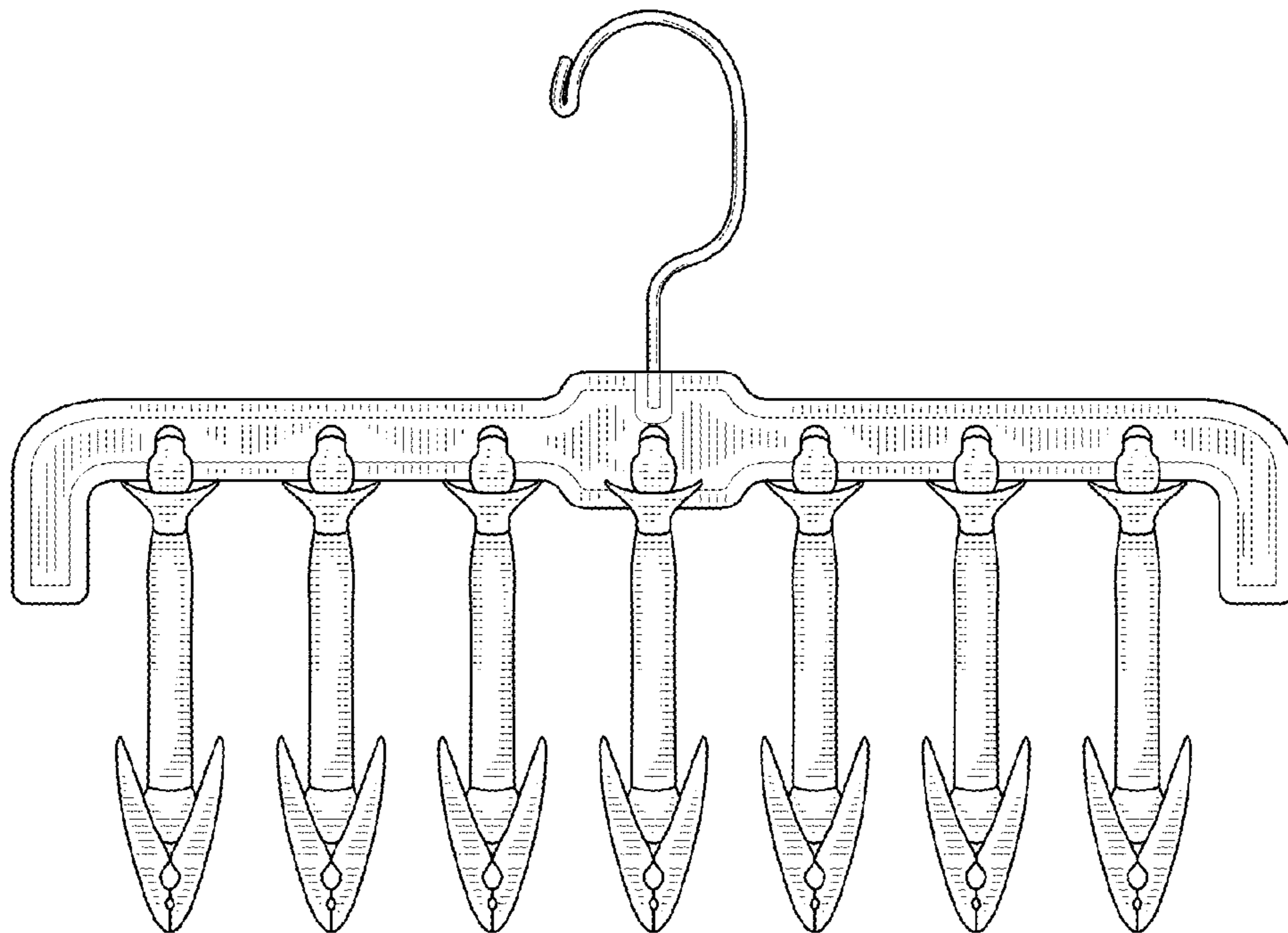


FIG. 2

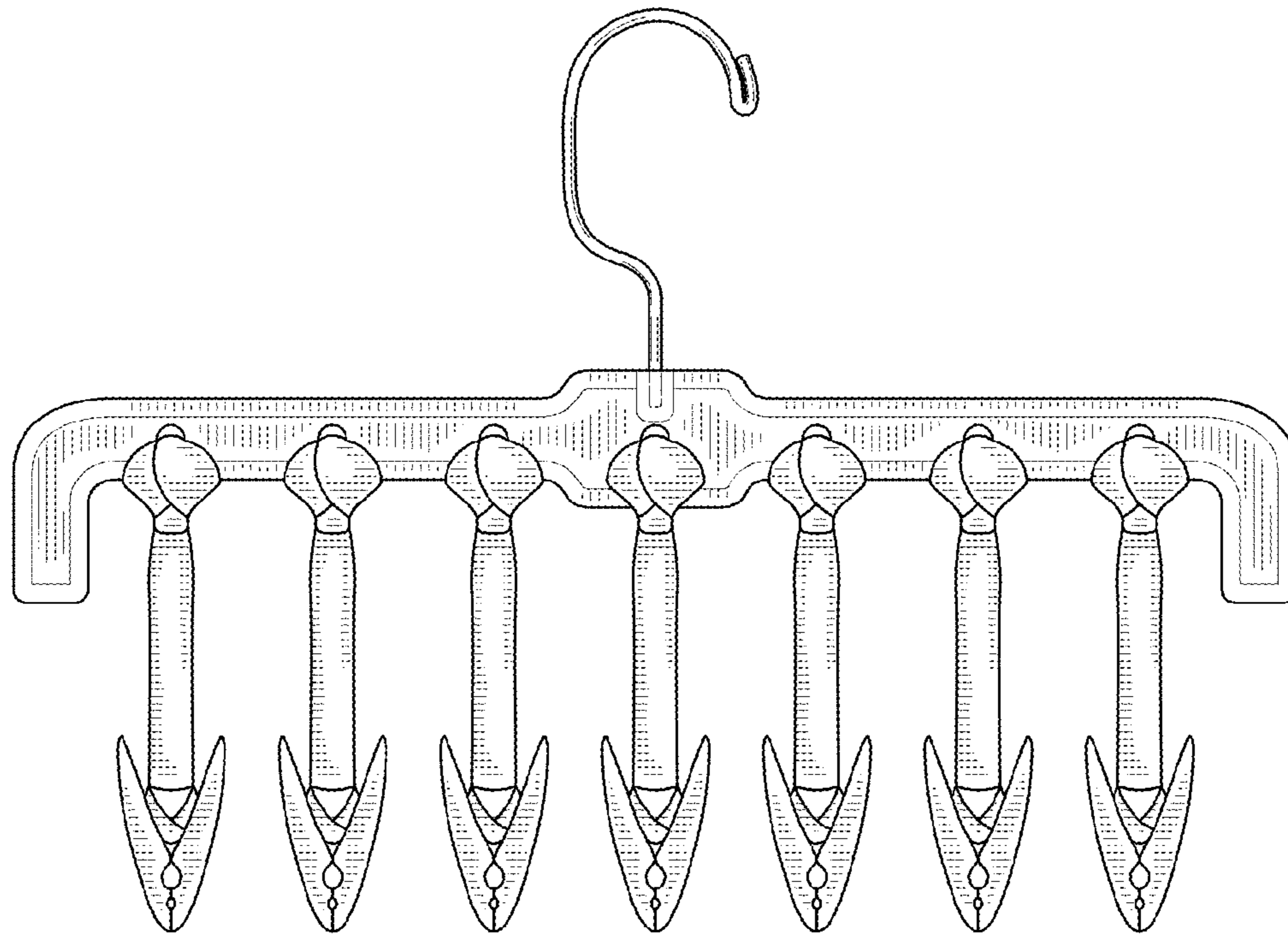


FIG. 3

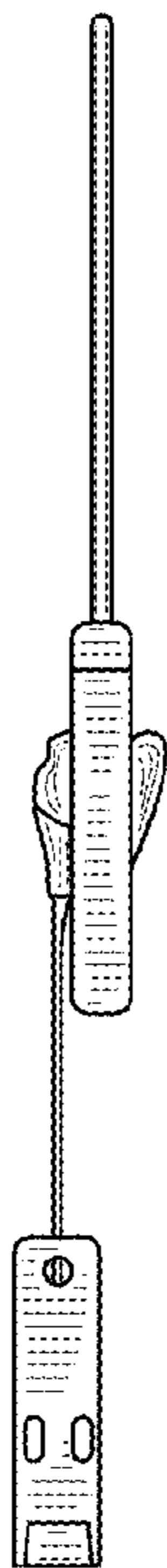


FIG. 4

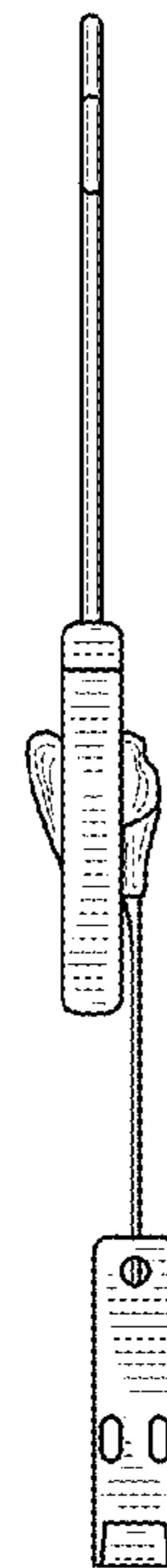


FIG. 5

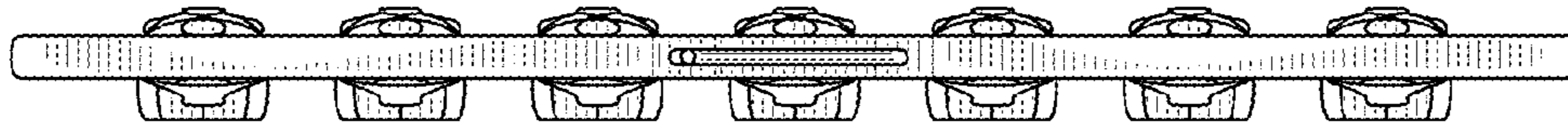


FIG. 6

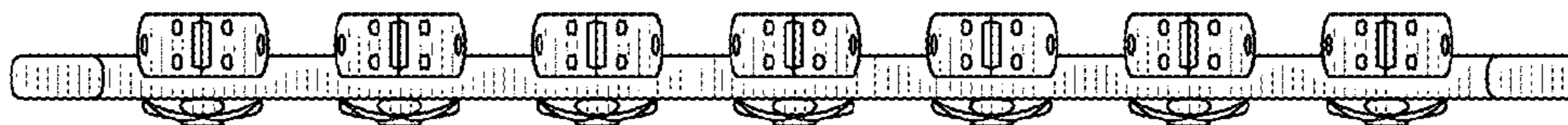


FIG. 7



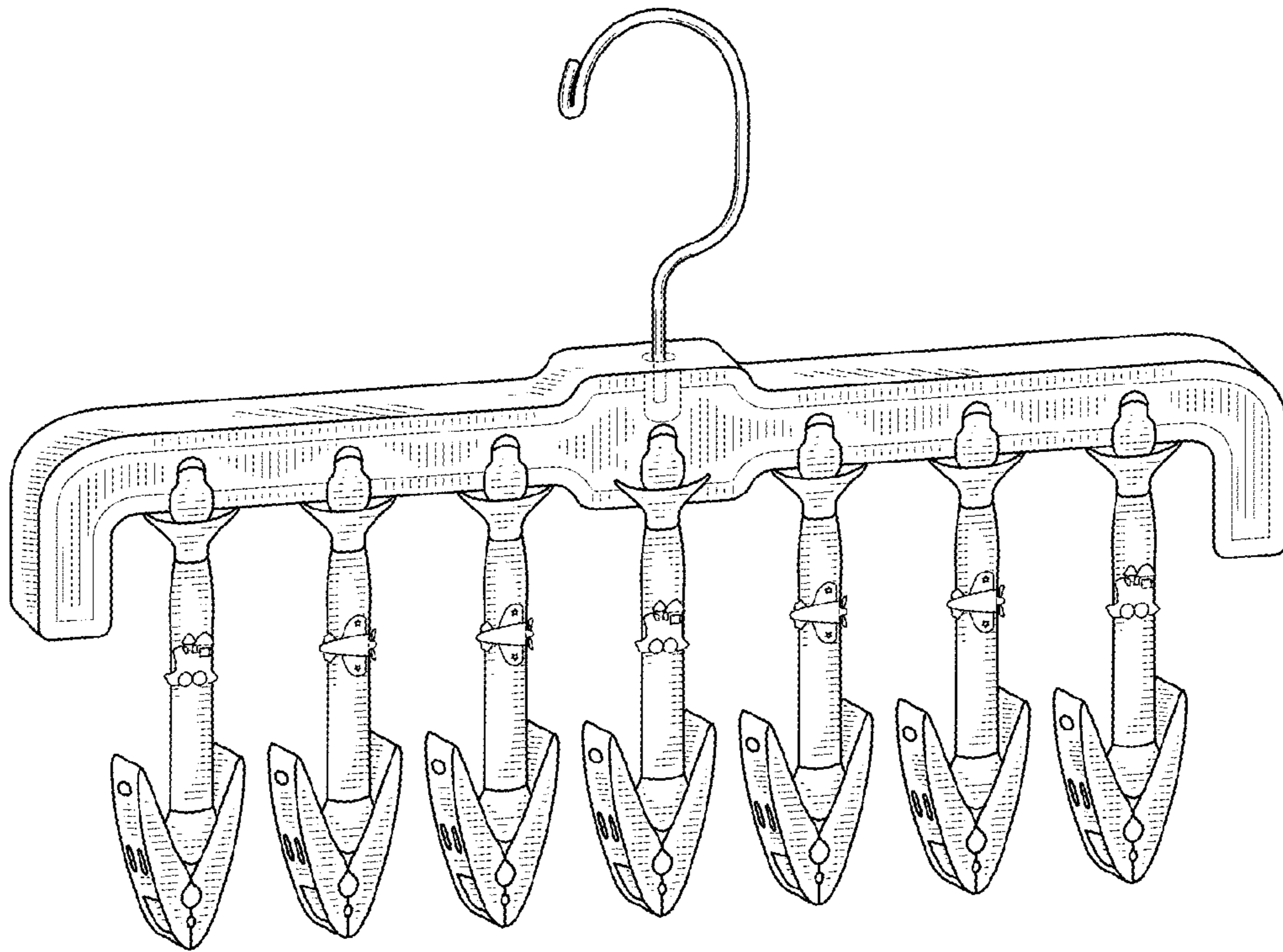


FIG. 8

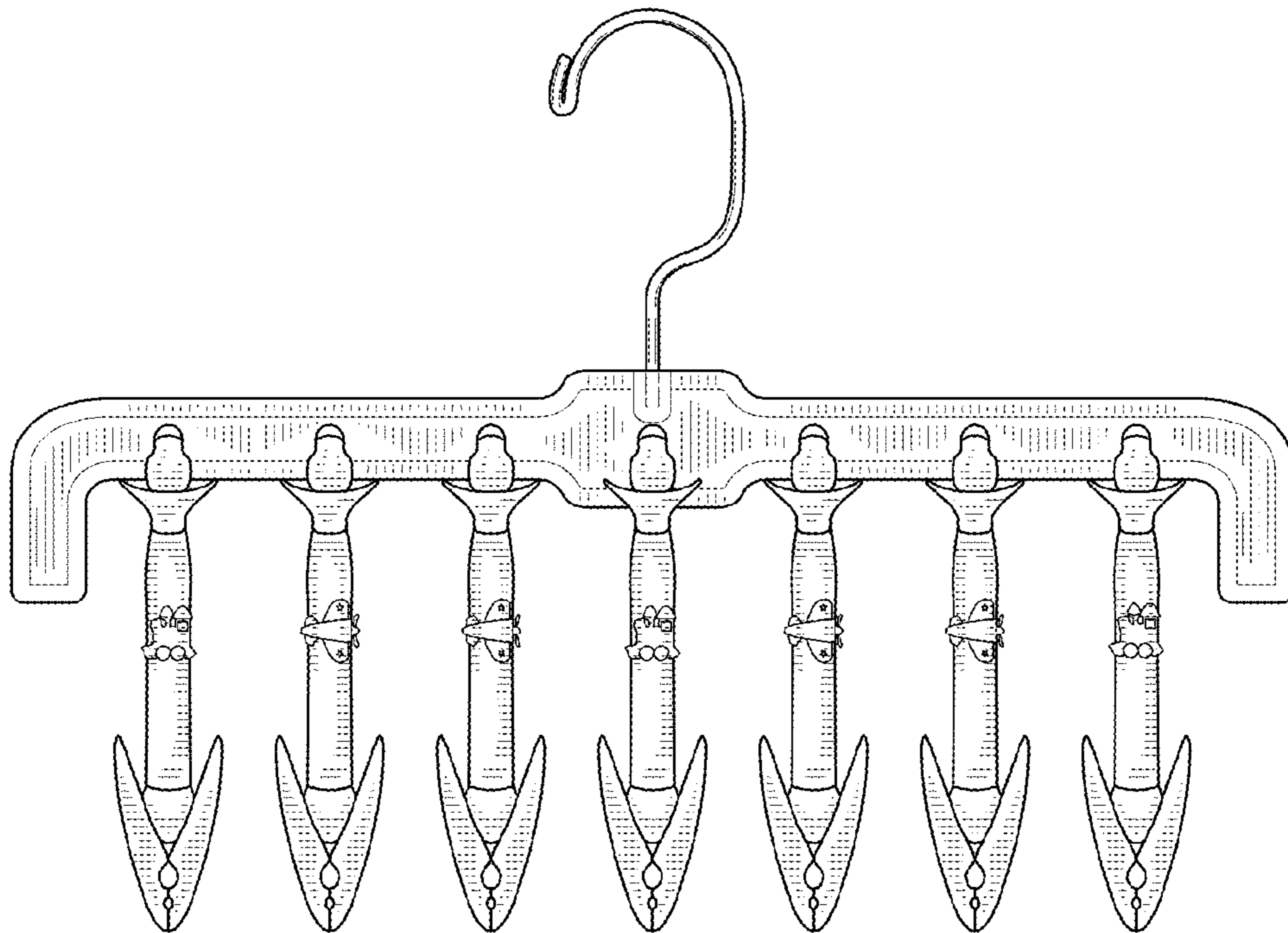


FIG. 9

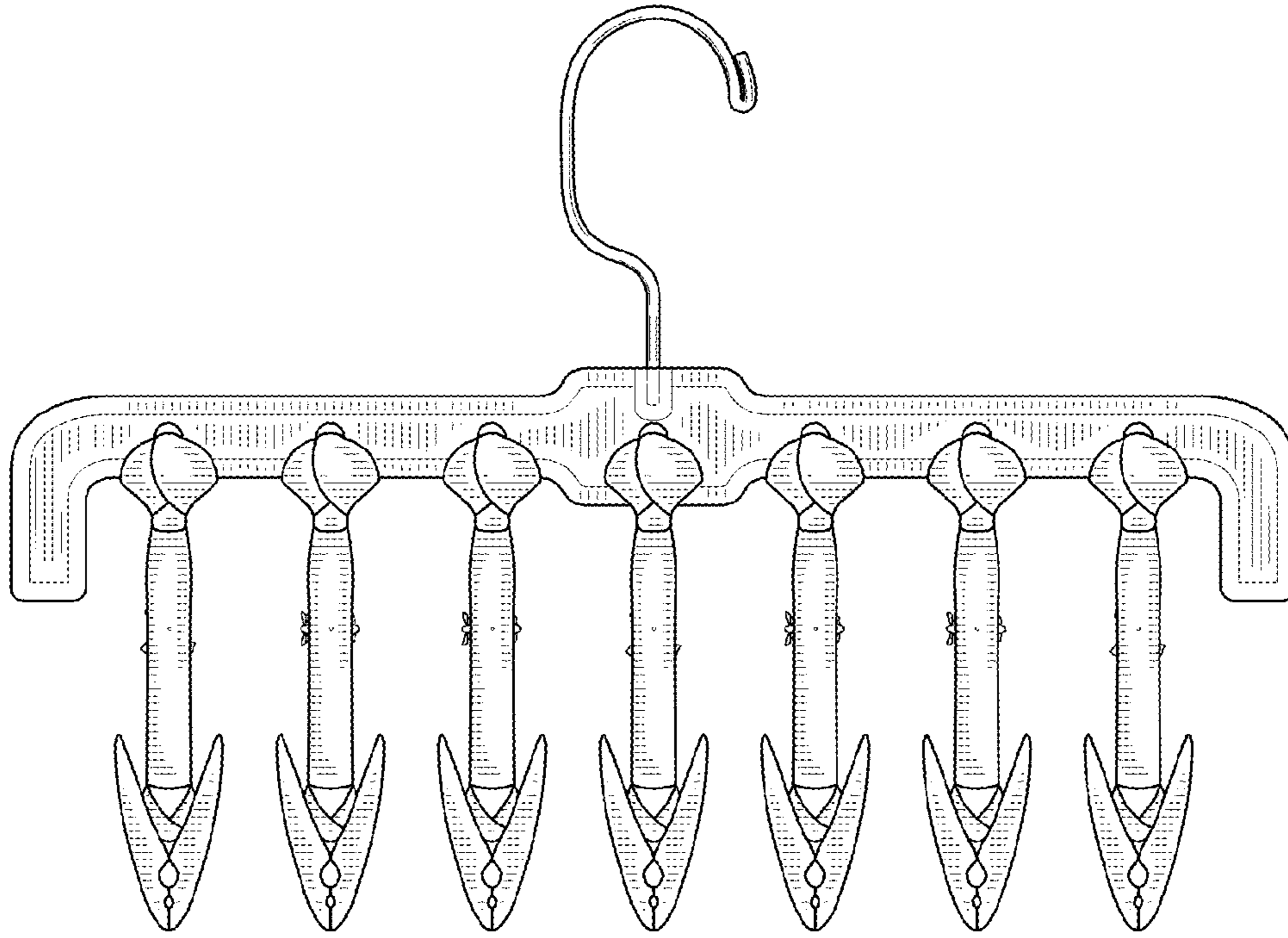


FIG. 10

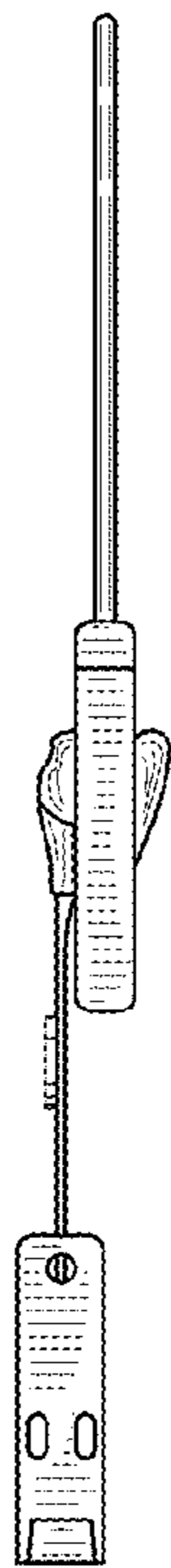


FIG. 11

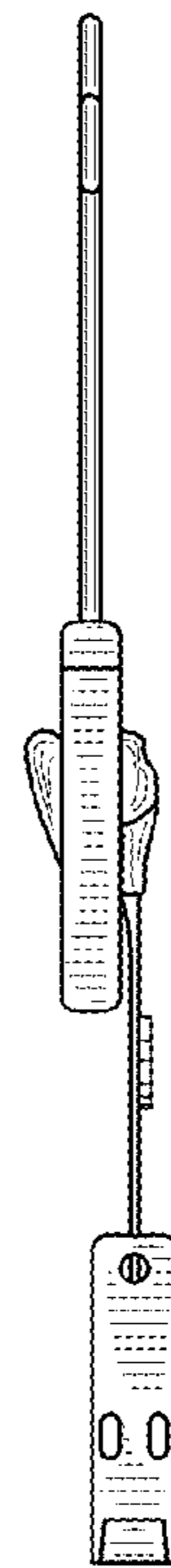


FIG. 12

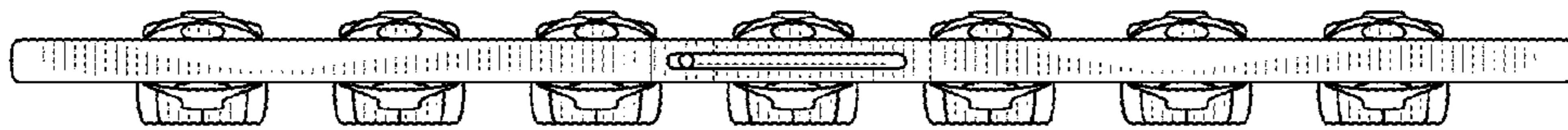


FIG. 13

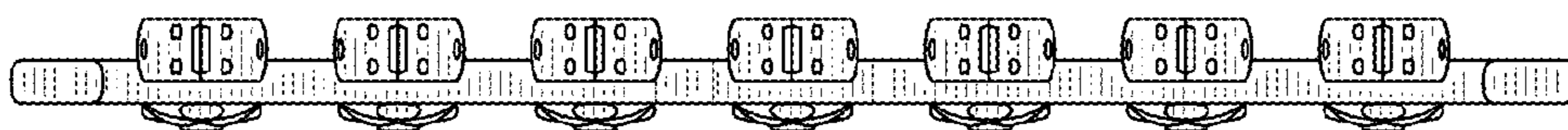


FIG. 14