



US00D687634S

(12) **United States Design Patent**  
**Greenfield**

(10) **Patent No.:** **US D687,634 S**

(45) **Date of Patent:** **\*\* Aug. 13, 2013**

(54) **STADIUM BOX COMPACT**

D657,915 S \* 4/2012 Lai ..... D28/83

(75) Inventor: **Ronald J. Greenfield**, South  
Huntington, NY (US)

\* cited by examiner

(73) Assignee: **CPP Global**

*Primary Examiner* — Sheryl Lane

(\*\*) Term: **14 Years**

(74) *Attorney, Agent, or Firm* — Gifford, Krass, Sprinkle,  
Anderson & Citkowski, P.C.

(21) Appl. No.: **29/409,383**

(57) **CLAIM**

The ornamental design for a stadium box compact, as shown  
and described.

(22) Filed: **Dec. 22, 2011**

**DESCRIPTION**

(51) **LOC (9) Cl.** ..... **03-01**

(52) **U.S. Cl.**  
USPC ..... **D3/294**; D28/83

(58) **Field of Classification Search**  
USPC ..... D3/294, 395, 396, 284, 273, 903,  
D3/901; 206/6.1, 144, 370, 570, 472, 581,  
206/823, 558; 312/120, 123; D28/83  
See application file for complete search history.

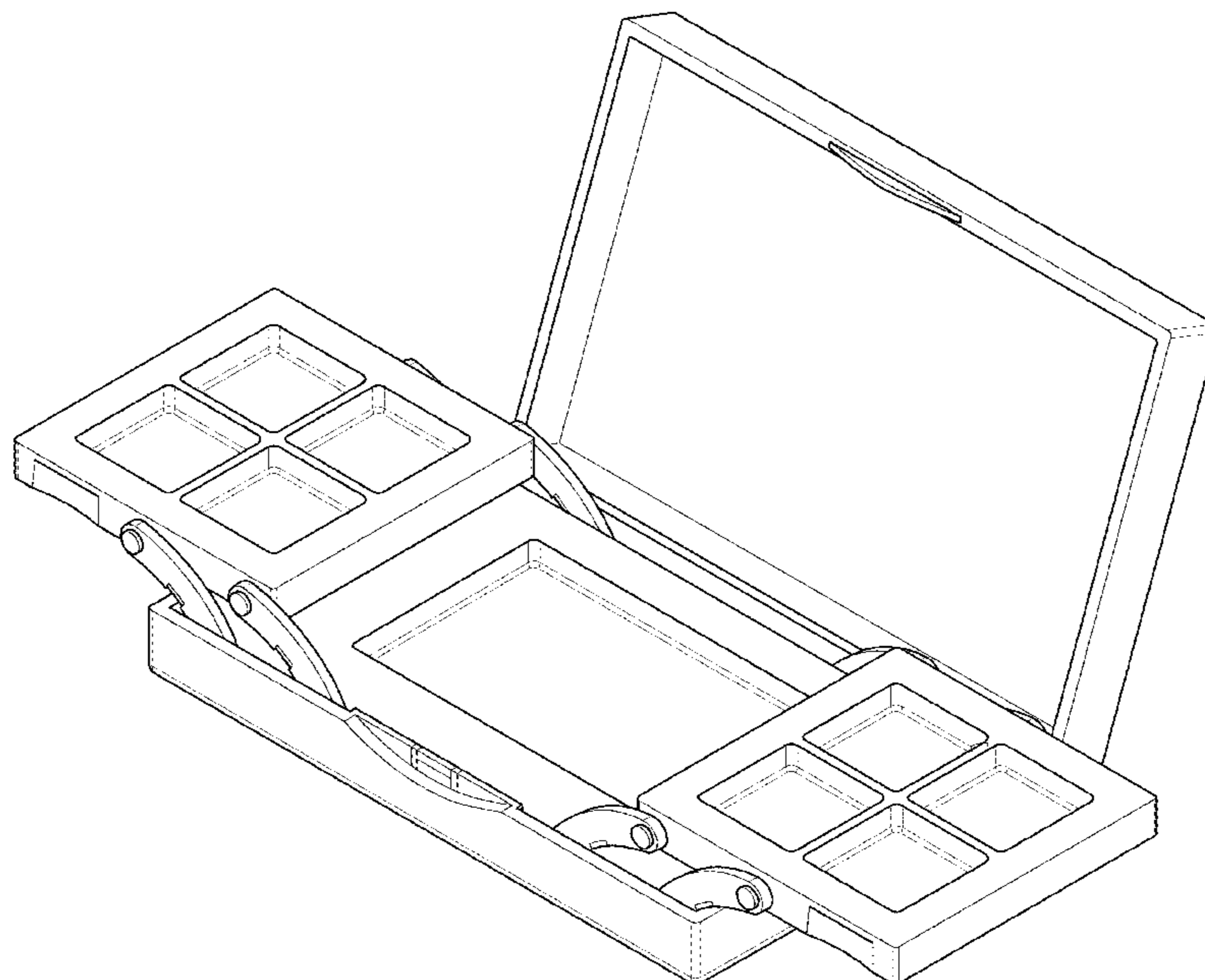
FIG. 1 is a front perspective view of a stadium box compact,  
showing our new design in a fully open position;  
FIG. 2 is a top view thereof, showing our new design in a fully  
open position;  
FIG. 3 is a right side view thereof, showing our new design in  
a fully open position whereby a left side view is substantially  
identical thereto in mirror image;  
FIG. 4 is a front view thereof, showing our new design in a  
fully open position;  
FIG. 5 is a rear view thereof, showing our new design in a  
fully open position;  
FIG. 6 is a bottom view thereof, showing our new design in a  
fully open position;  
FIG. 7 is a front perspective view thereof in a fully closed  
position; and,  
FIG. 8 is a rear perspective view thereof in a fully closed  
position.  
The broken lines in the drawing of FIG. 6 represent portions  
of the compact and form no part of the claimed design.

(56) **References Cited**

U.S. PATENT DOCUMENTS

2,564,122	A *	8/1951	Mele	.....	312/204
2,738,250	A *	3/1956	Mele et al.	.....	312/276
D258,470	S *	3/1981	Chun	.....	D3/296
D290,536	S *	6/1987	Nadel	.....	D28/83
D325,123	S *	4/1992	Tiramani	.....	D3/275
D349,977	S *	8/1994	Shen	.....	D28/78
5,941,255	A *	8/1999	Chen	.....	132/315
D443,137	S *	6/2001	Lai	.....	D3/295
D479,895	S *	9/2003	Lai	.....	D28/83
D480,180	S *	9/2003	Lai	.....	D28/83
D656,678	S *	3/2012	Lai	.....	D28/83
D656,679	S *	3/2012	Lai	.....	D28/83

**1 Claim, 8 Drawing Sheets**



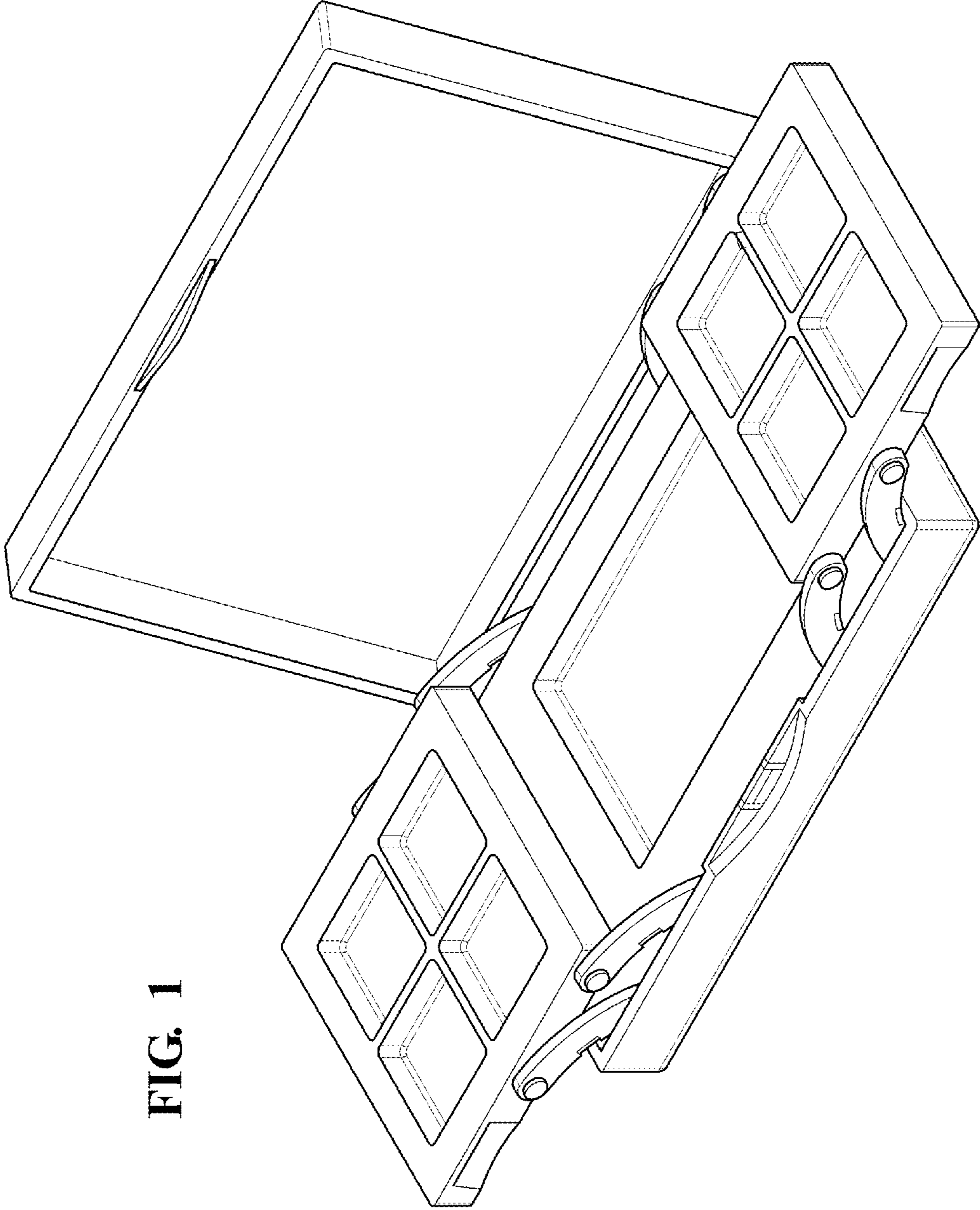


FIG. 1

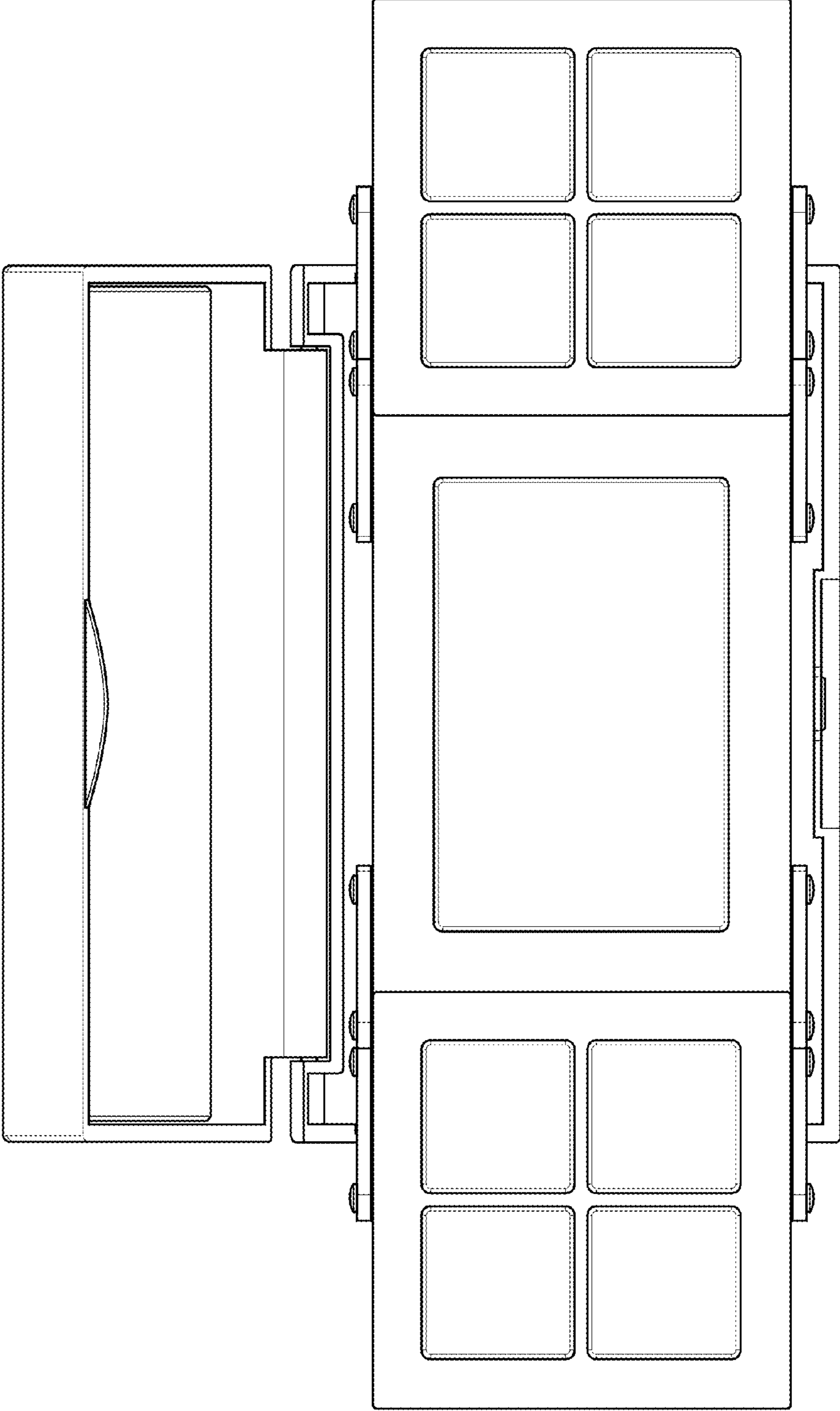


FIG. 2

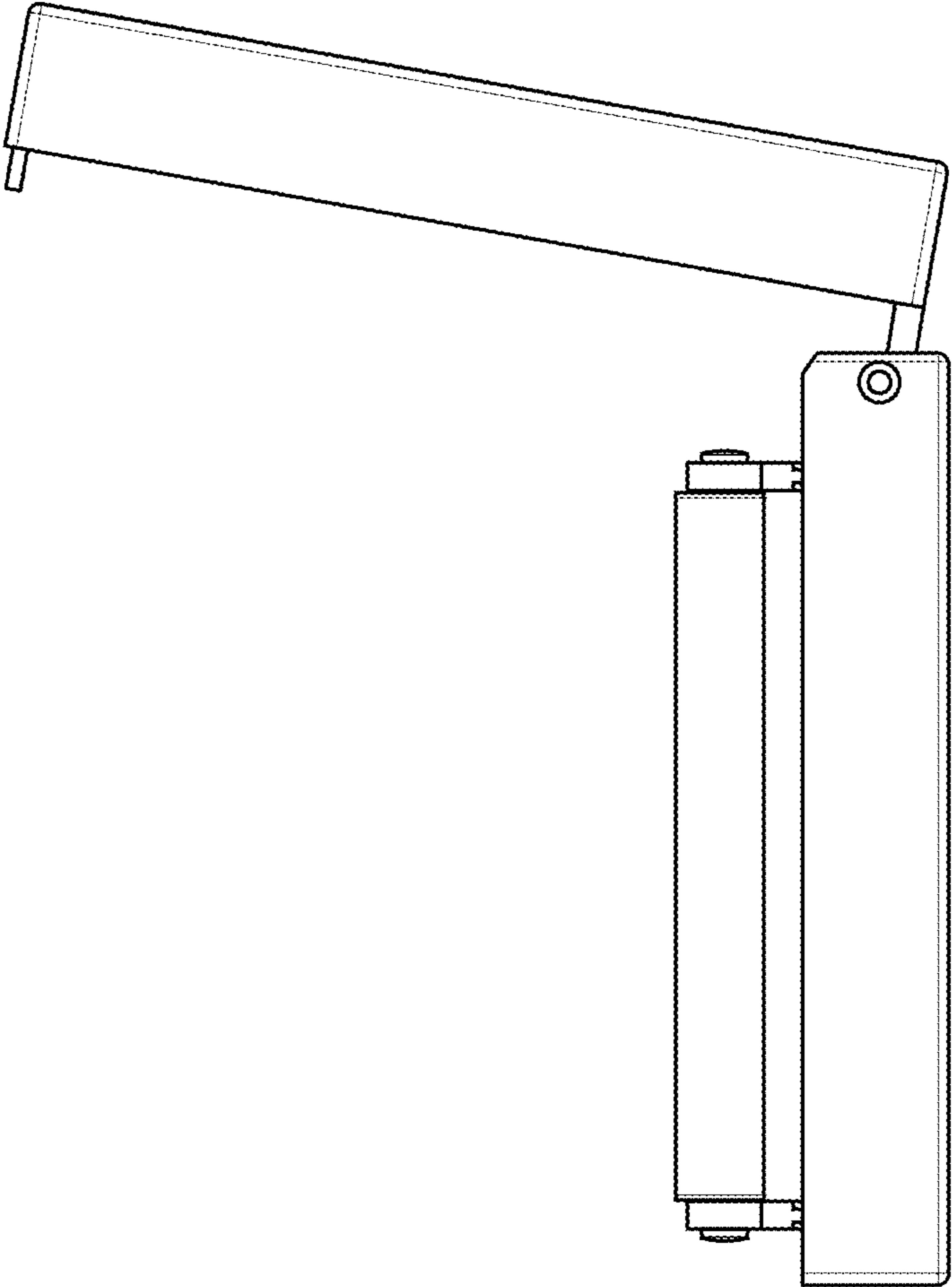


FIG. 3

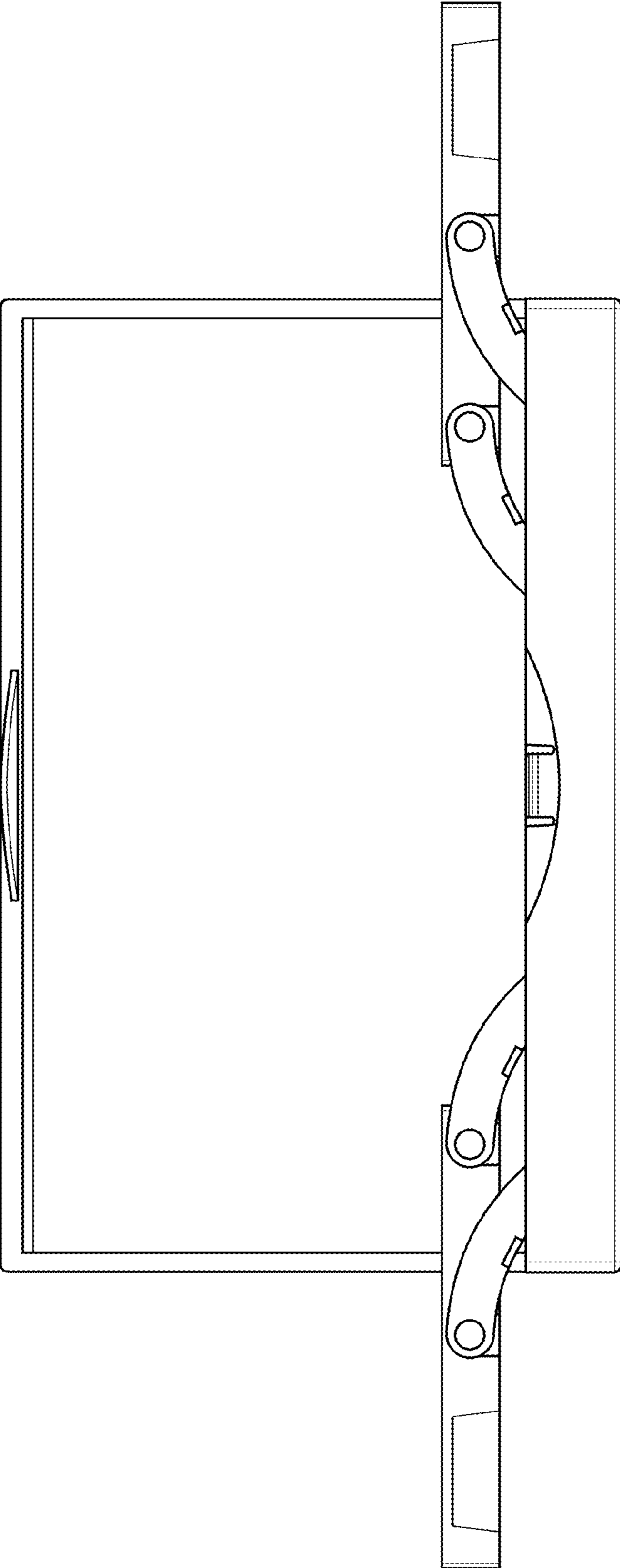


FIG. 4

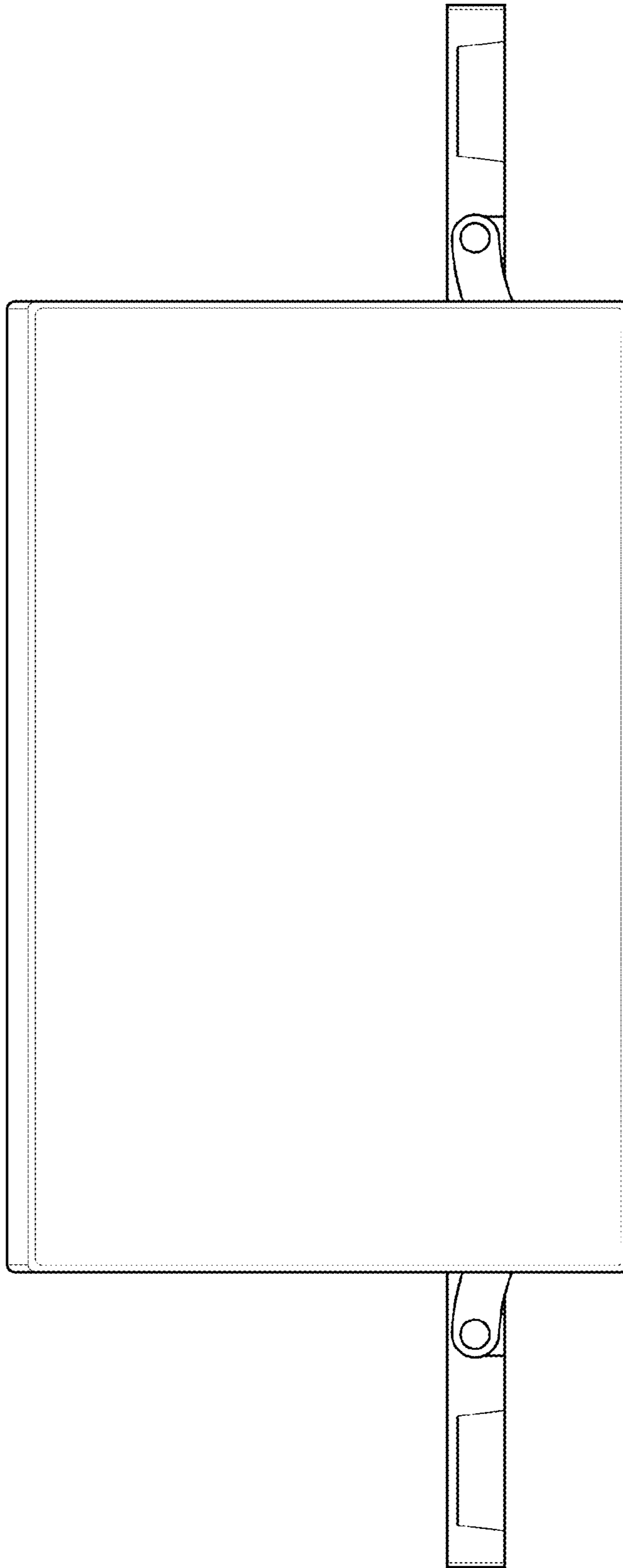


FIG. 5

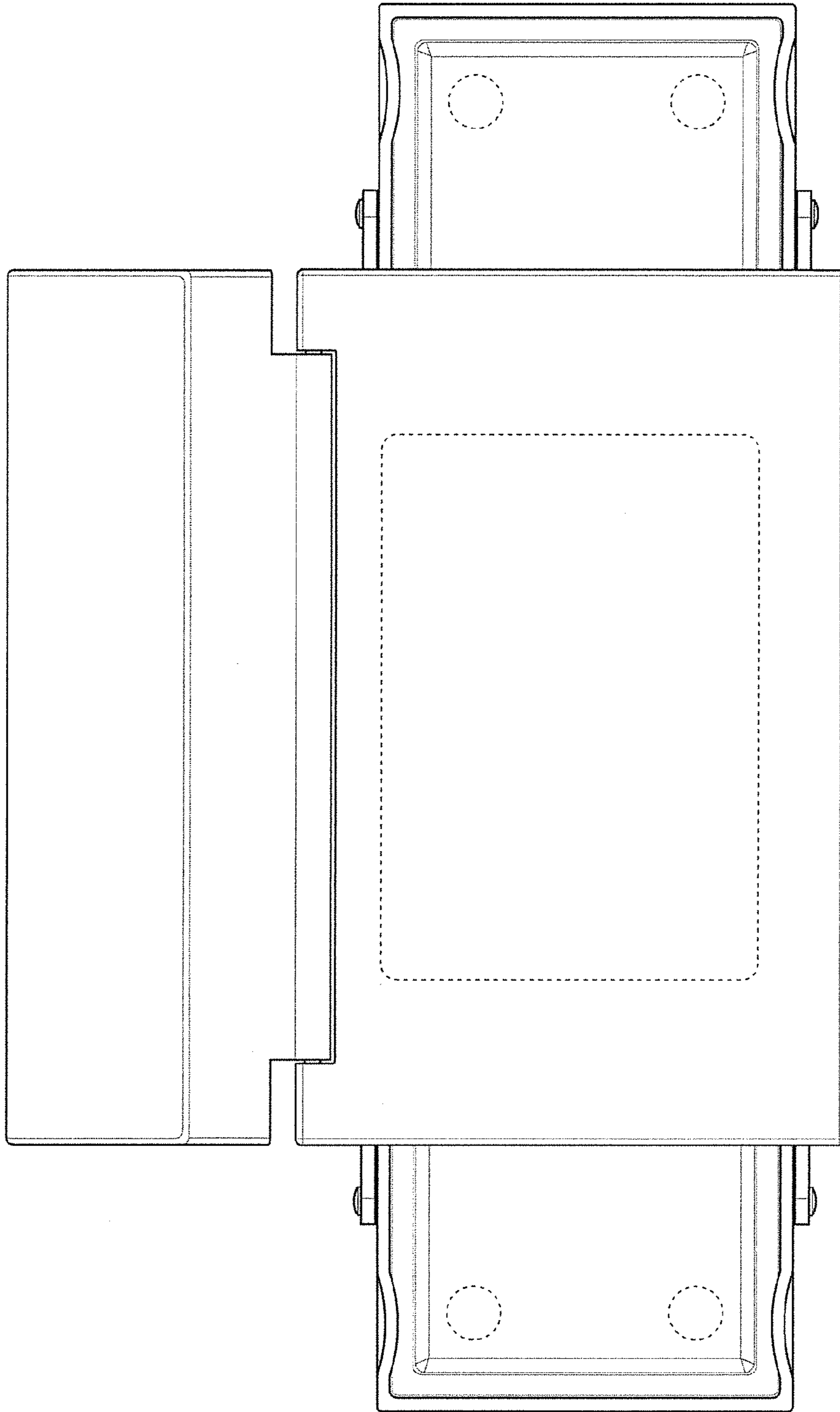


FIG. 6

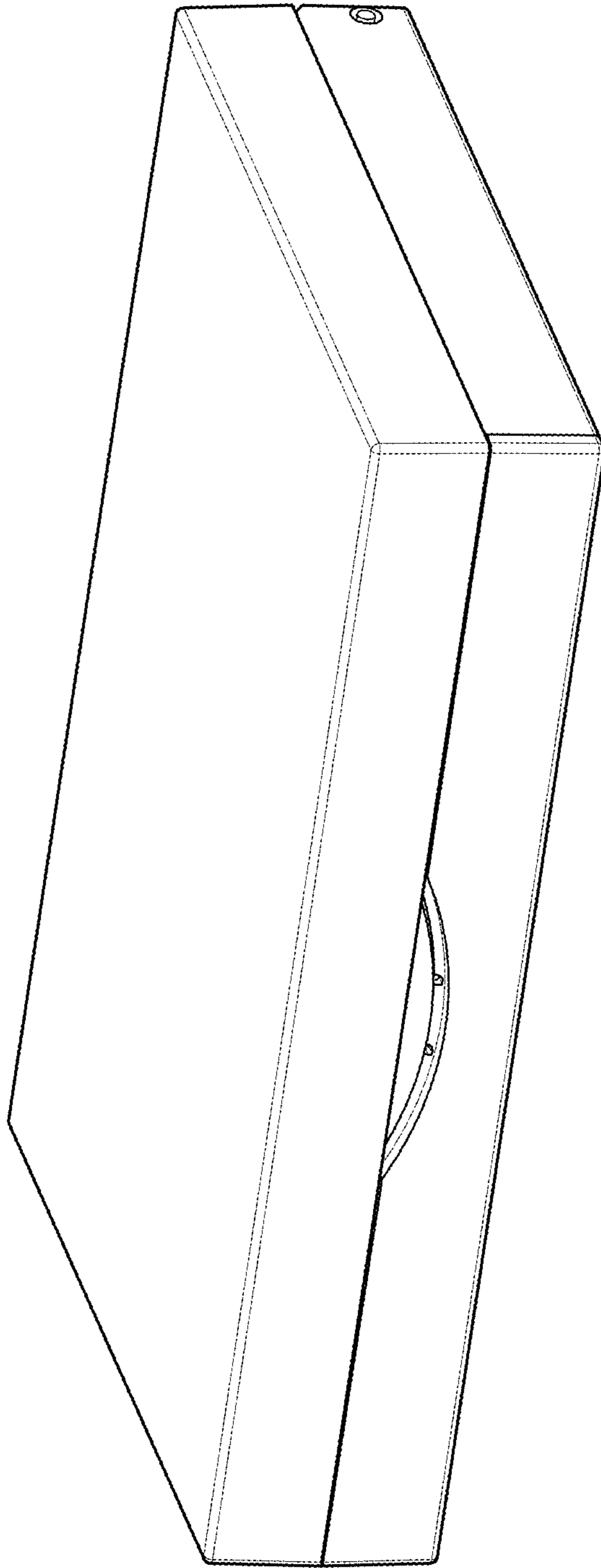


FIG. 7



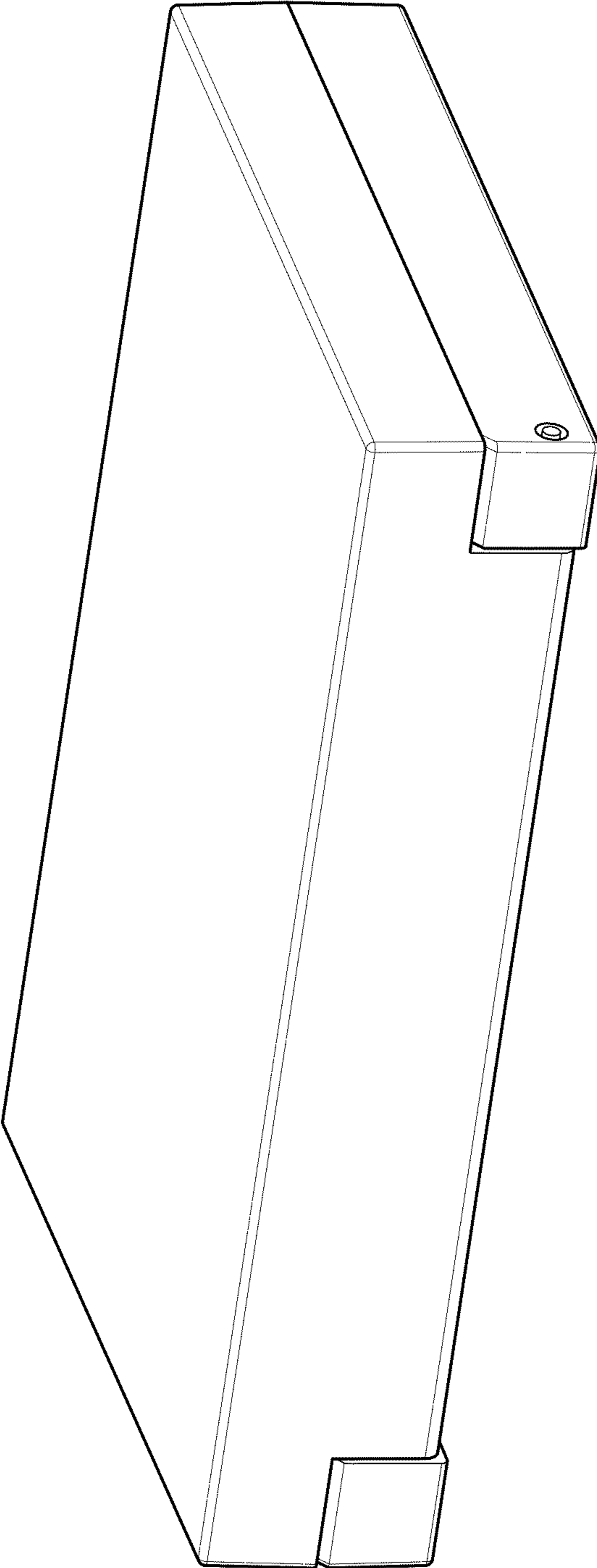


FIG. 8