



US00D687633S

(12) **United States Design Patent**  
**Deutschendorf**

(10) **Patent No.:** **US D687,633 S**

(45) **Date of Patent:** **\*\* Aug. 13, 2013**

(54) **GARMENT BAG**

(71) Applicant: **Michael A. Deutschendorf**,  
Reisterstown, MD (US)

(72) Inventor: **Michael A. Deutschendorf**,  
Reisterstown, MD (US)

(73) Assignee: **Clemco Products, Inc.**, Westminster,  
MD (US)

(\*\*) Term: **14 Years**

(21) Appl. No.: **29/445,796**

(22) Filed: **Feb. 15, 2013**

(51) **LOC (9) Cl.** ..... **03-01**

(52) **U.S. Cl.**  
USPC ..... **D3/278; D3/289; D3/299**

(58) **Field of Classification Search**  
USPC ..... **D3/273, 276, 278, 289, 293, 301;**  
**206/286–287.1; 190/100–127, 903**  
See application file for complete search history.

(56) **References Cited**

**U.S. PATENT DOCUMENTS**

D265,779	S	8/1982	Stark	
D267,677	S *	1/1983	Pelavin	D3/278
4,378,866	A *	4/1983	Pelavin	190/111
4,655,343	A *	4/1987	Lane et al.	206/287.1
4,801,010	A *	1/1989	Levitas	206/279
D320,115	S *	9/1991	King	D3/278
5,419,432	A *	5/1995	Ingram	206/287.1
6,053,634	A *	4/2000	Kay	383/4
D499,548	S	12/2004	Deutschendorf	
D623,858	S *	9/2010	Chu et al.	D3/298
D646,485	S *	10/2011	Mason	D3/284
D662,711	S *	7/2012	Raible	D3/285
2003/0221978	A1 *	12/2003	Redzisz	206/278
2006/0086628	A1 *	4/2006	Deutschendorf et al.	206/287.1

2008/0156604 A1\* 7/2008 Franco et al. .... 190/1

\* cited by examiner

*Primary Examiner* — Jennifer Rivard

(74) *Attorney, Agent, or Firm* — Novick, Kim & Lee, PLLC;  
Harold L. Novick

(57) **CLAIM**

The ornamental design for a garment bag, as shown and described.

**DESCRIPTION**

FIG. 1 is a perspective view of a garment bag in a folded configuration, taken from above and on the left side, thereof showing my new design;

FIG. 1A is an enlarged detail view of the portion of the garment bag shown in the circle in FIG. 1;

FIG. 2 is a front elevational view thereof;

FIG. 3 is a rear elevational view thereof;

FIG. 4 is a top plan view thereof;

FIG. 5 is a top plan view that is the same as FIG. 4, but with the hand strap being removed;

FIG. 6 is a bottom plan view thereof;

FIG. 7 is a left side elevational view thereof;

FIG. 8 is a right side elevational view thereof;

FIG. 9 is a perspective view of a garment bag in an unfolded configuration, taken from above and on the left side;

FIG. 10 is a front elevational view in an unfolded configuration;

FIG. 11 is a rear elevational view in an unfolded configuration;

FIG. 12 is a top plan view in an unfolded configuration;

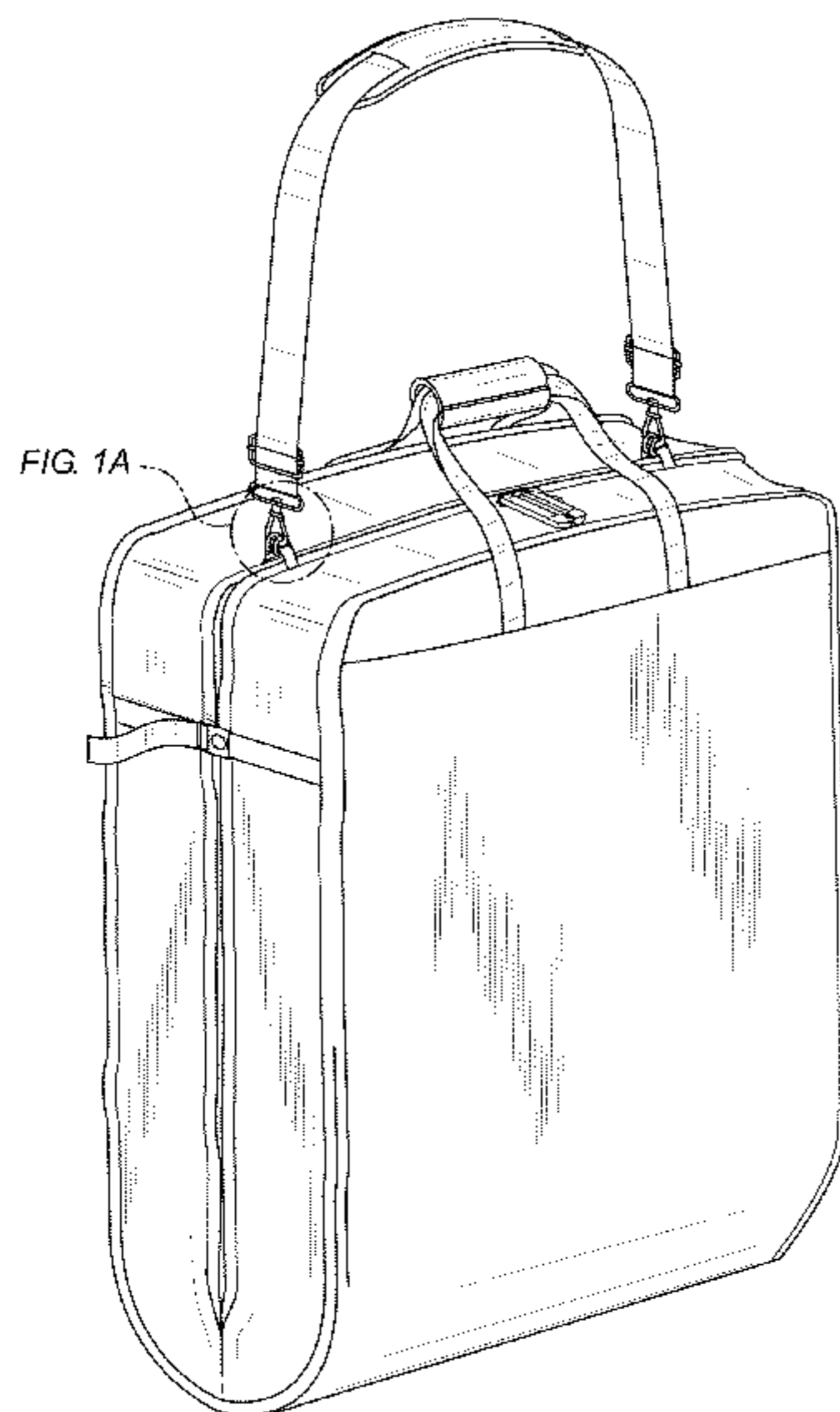
FIG. 13 is a bottom plan view in an unfolded configuration;

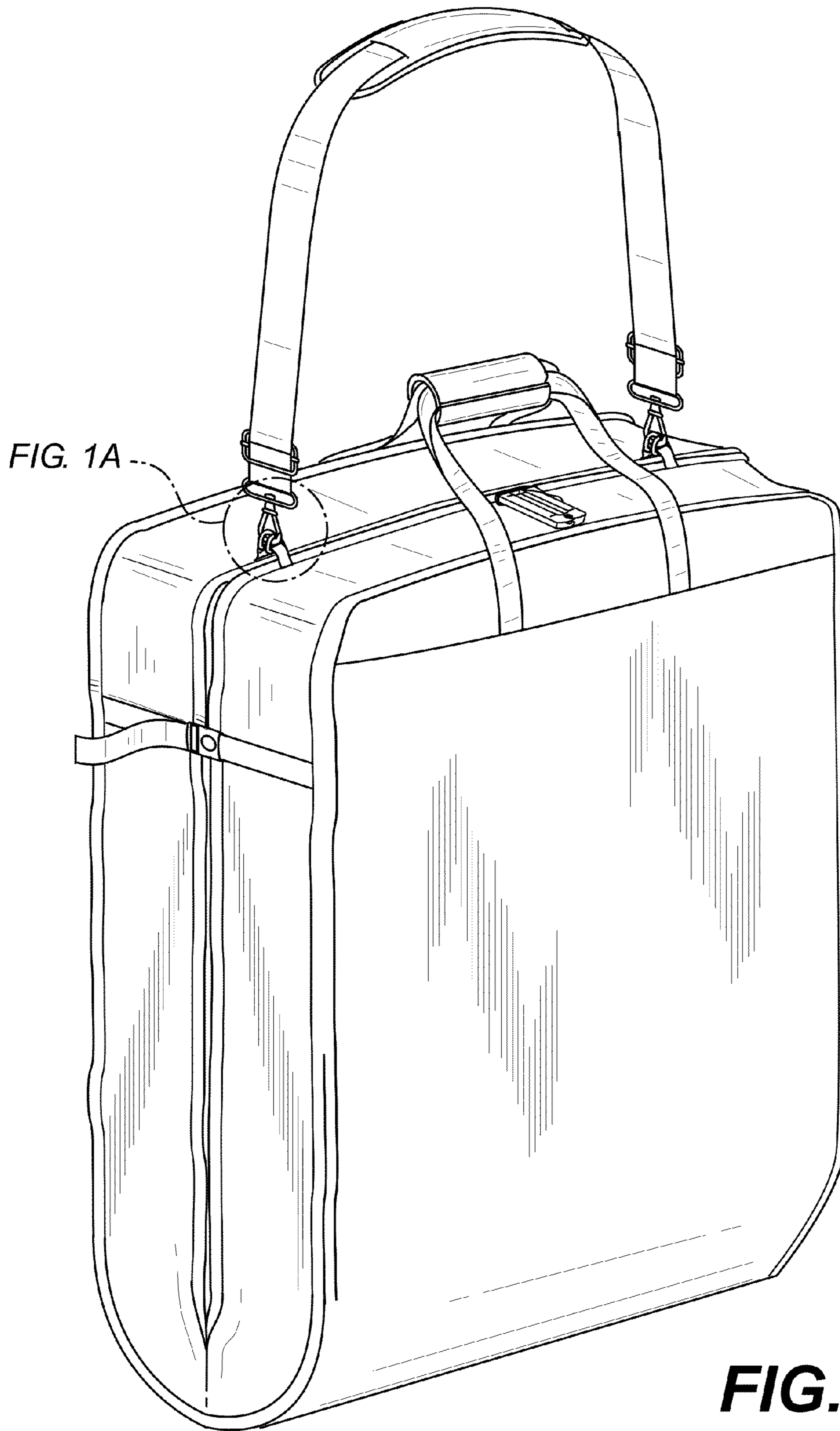
FIG. 14 is a left side elevational view in an unfolded configuration; and,

FIG. 15 is a right side elevational view in an unfolded configuration.

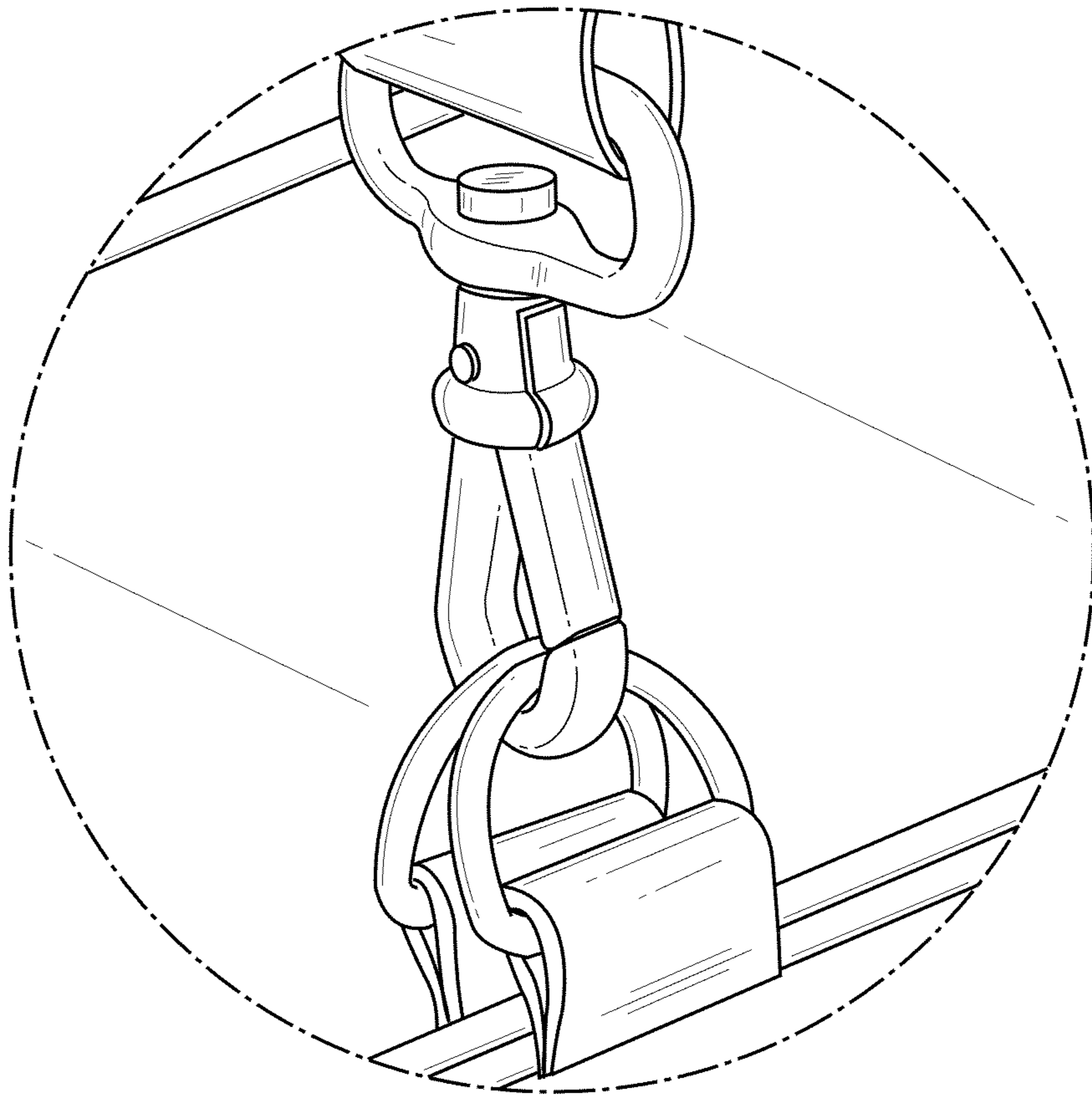
The strap has been removed from some of the views for convenience of illustration.

**1 Claim, 11 Drawing Sheets**

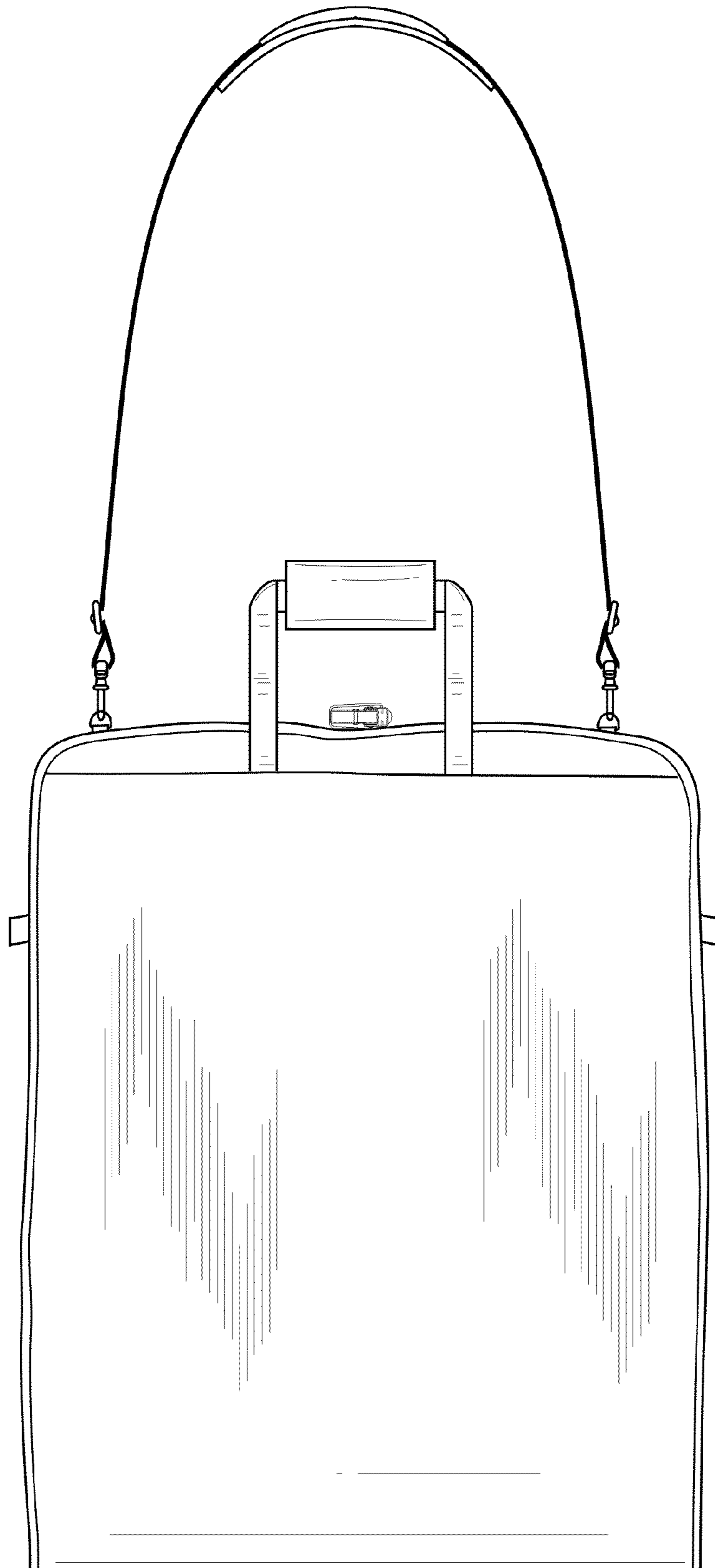




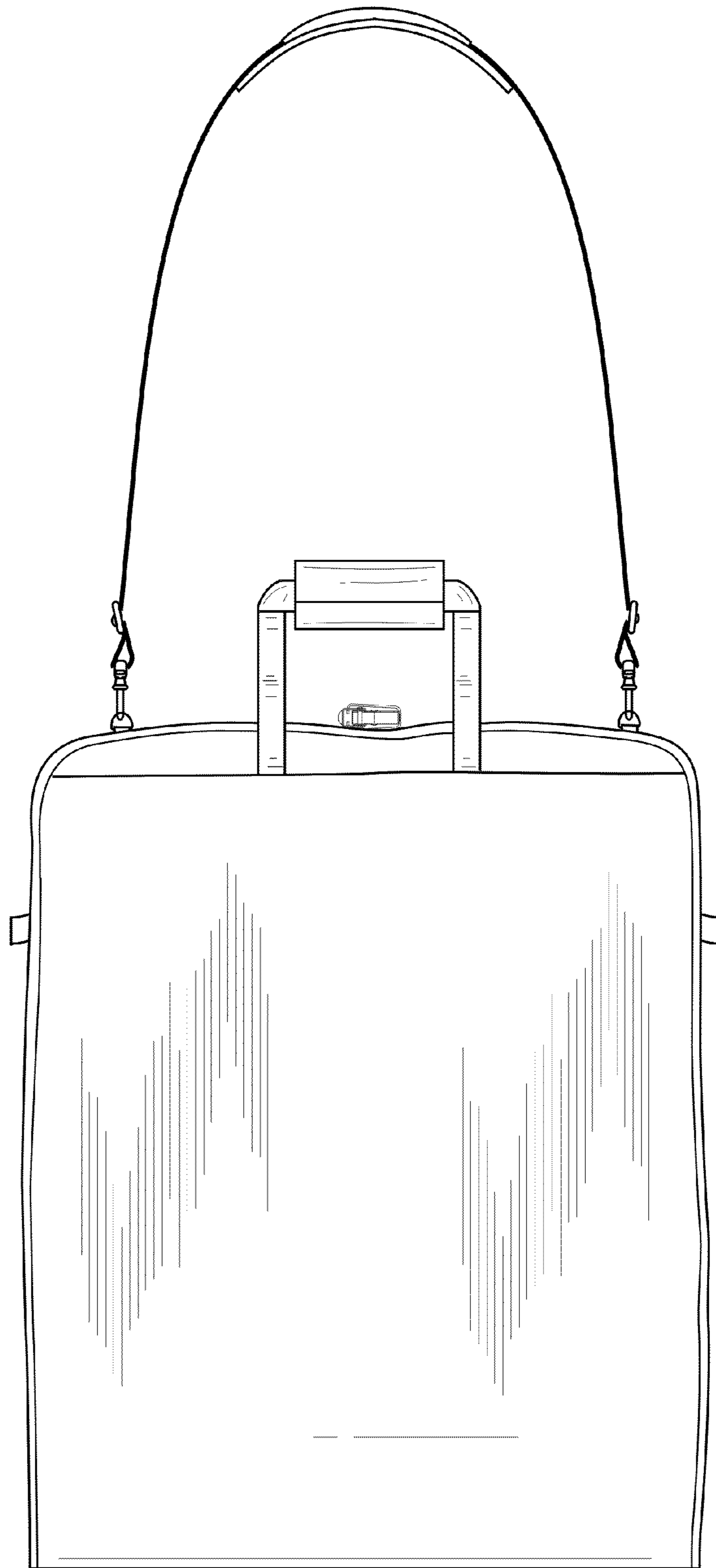
**FIG. 1**



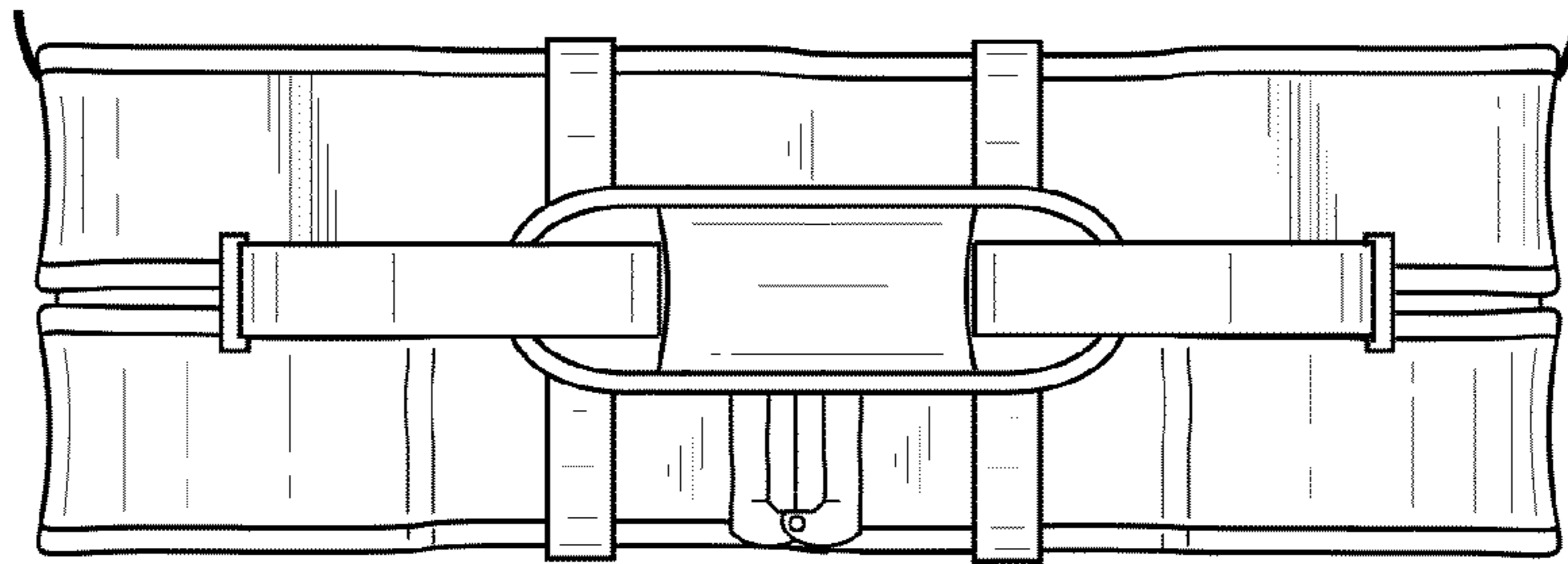
**FIG. 1A**



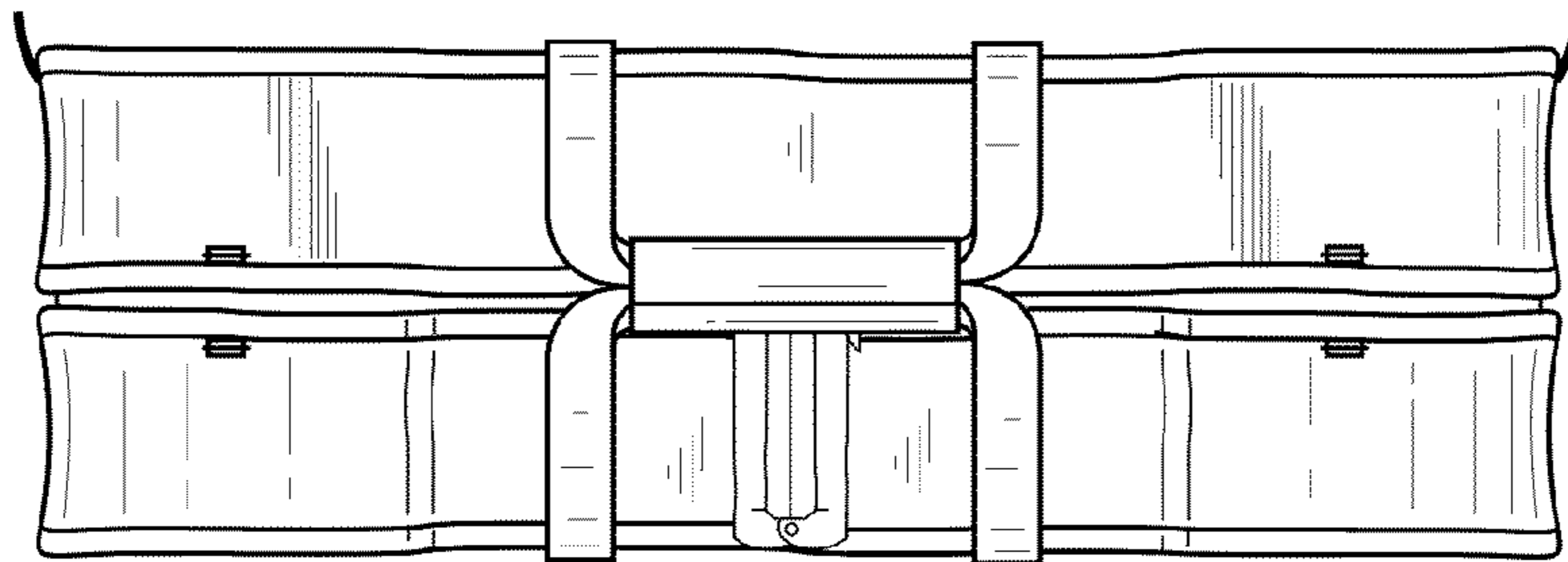
**FIG. 2**



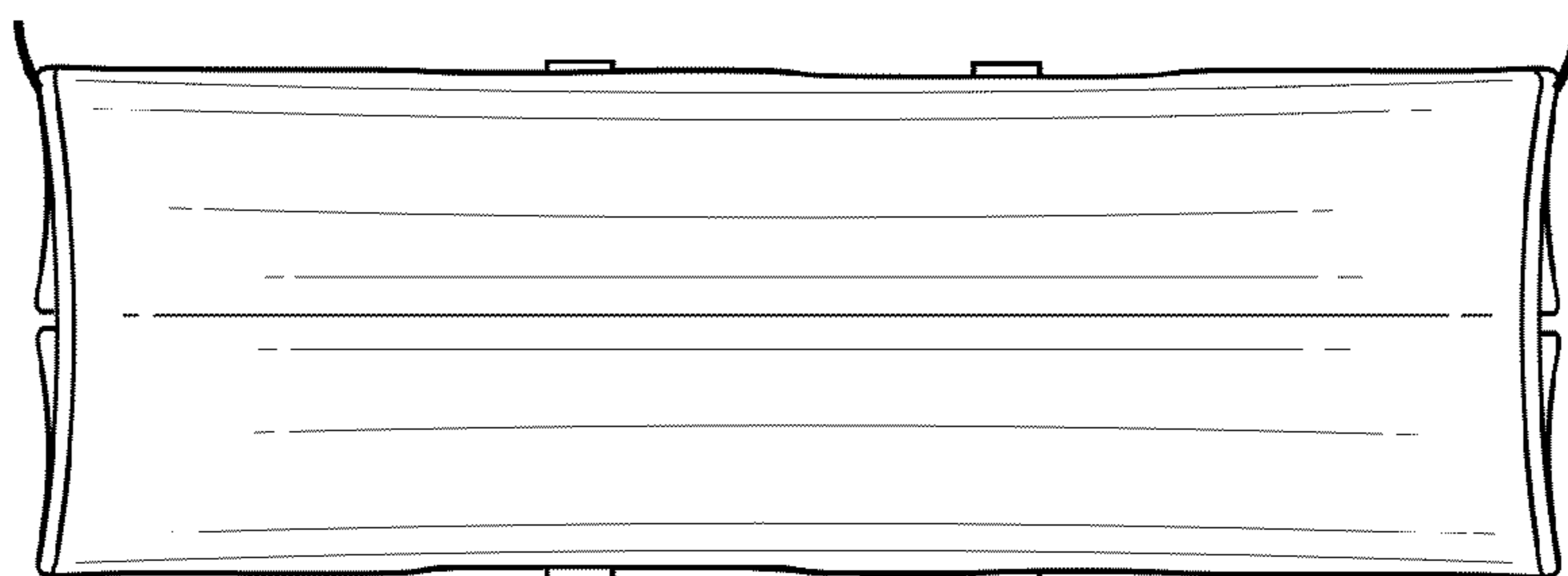
**FIG. 3**



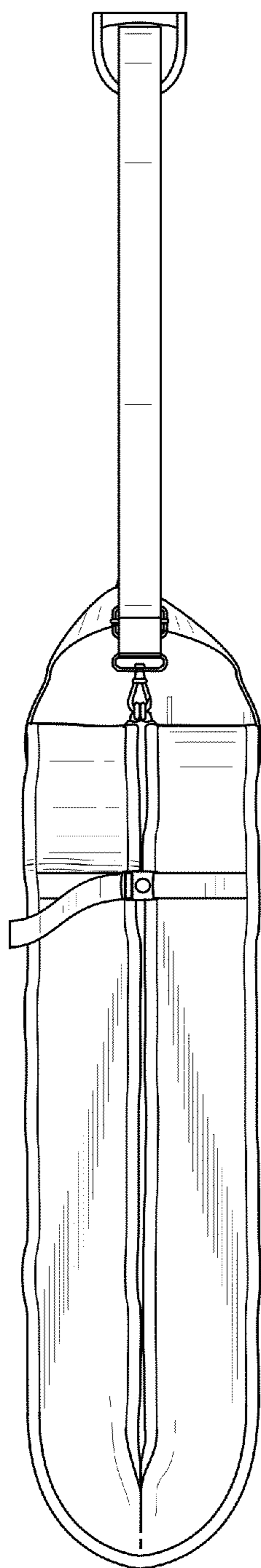
**FIG. 4**



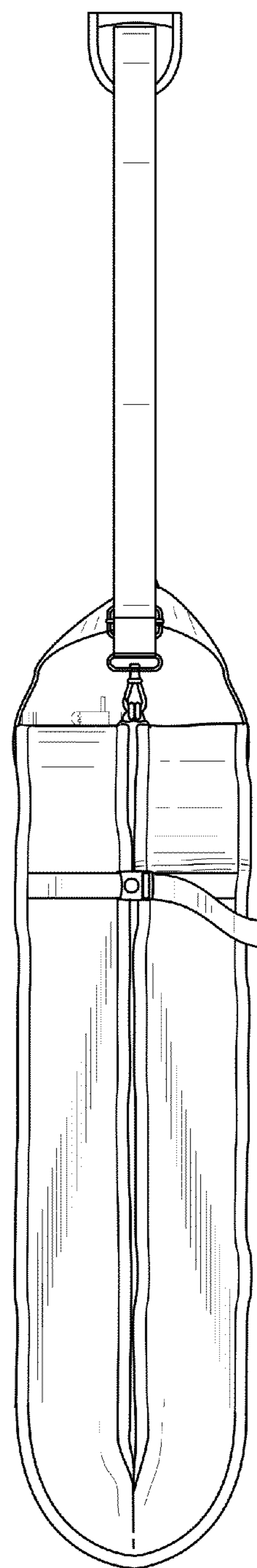
**FIG. 5**



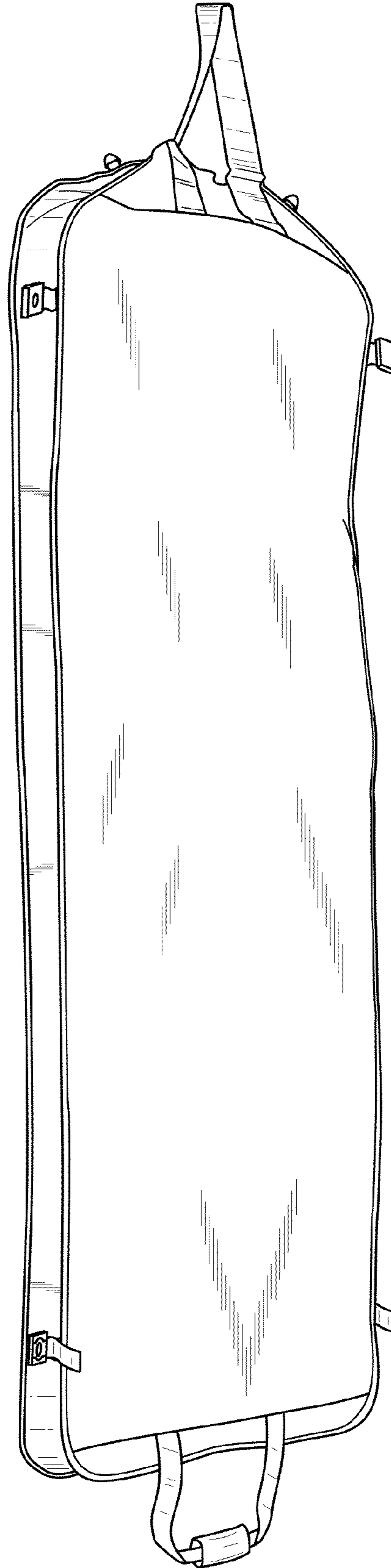
**FIG. 6**



**FIG. 7**

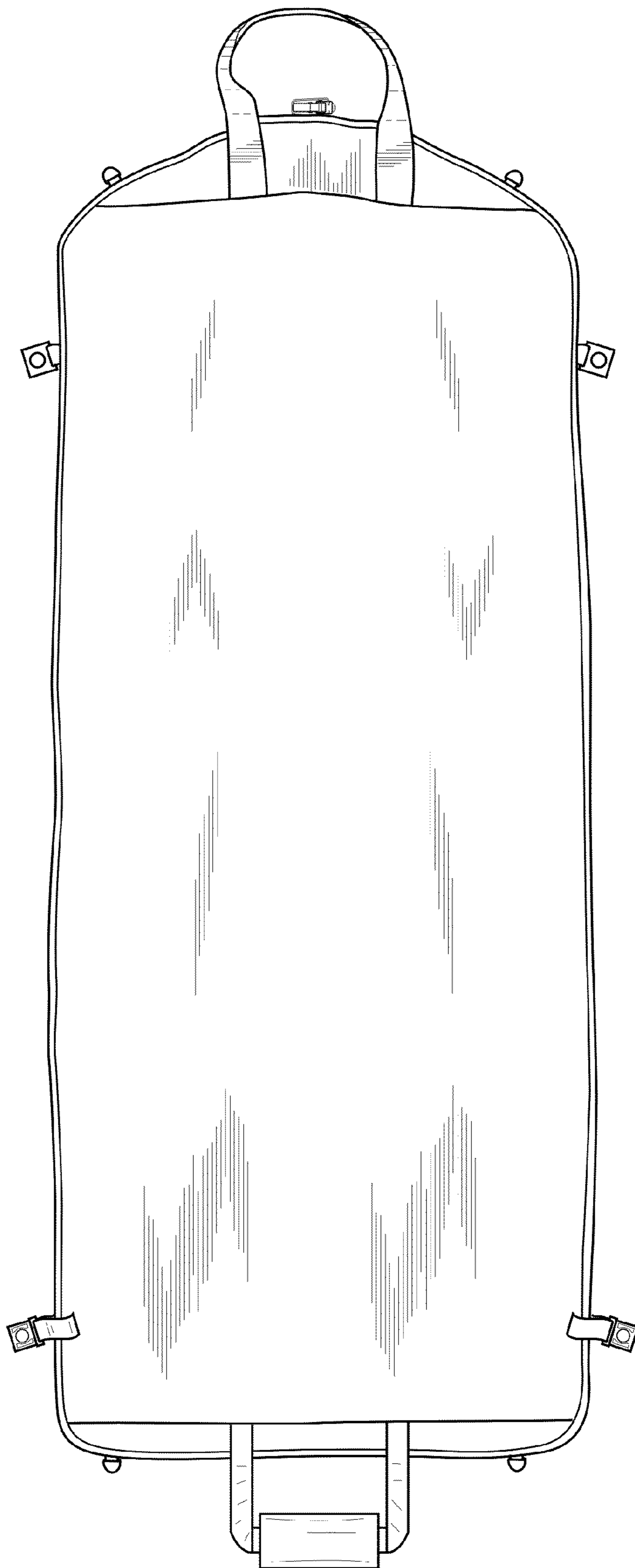


**FIG. 8**

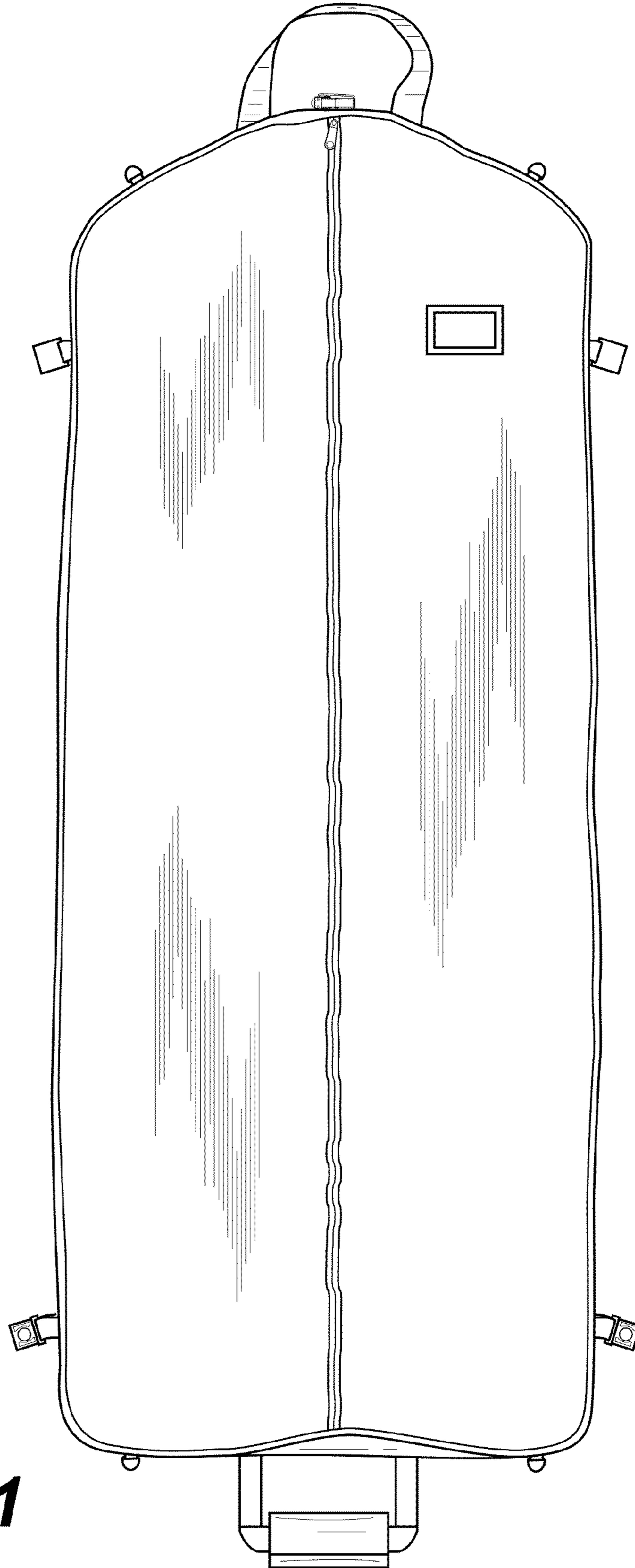


**FIG. 9**

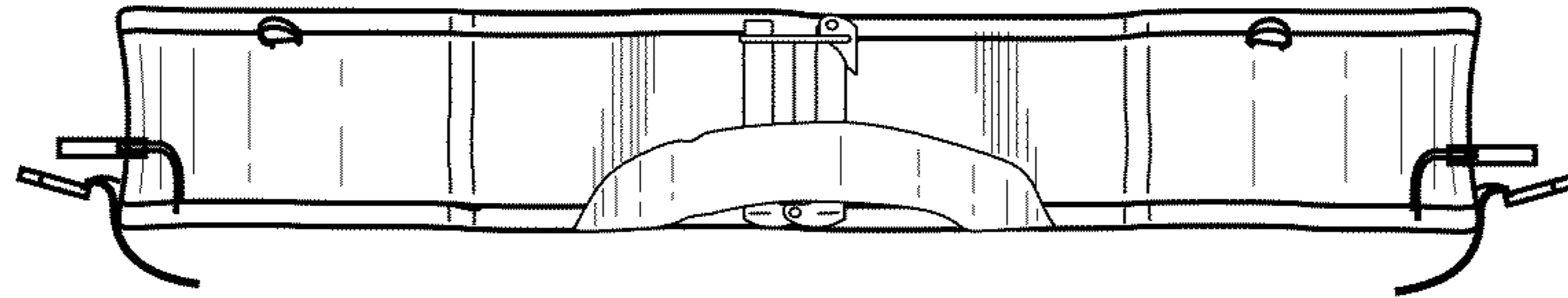




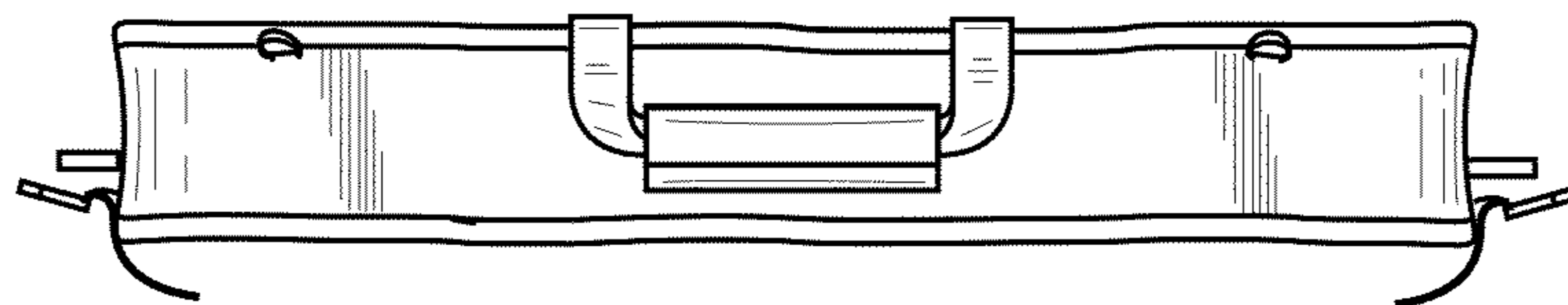
**FIG. 10**



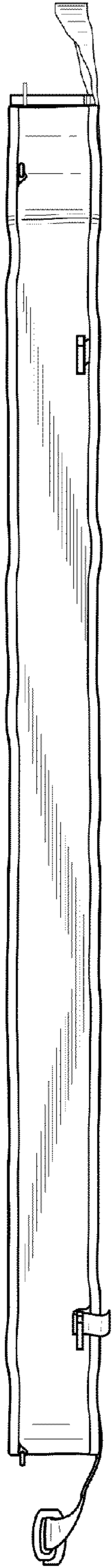
**FIG. 11**



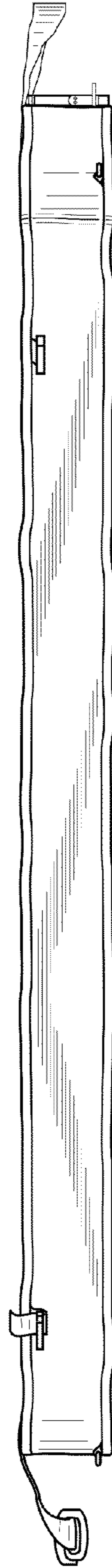
**FIG. 12**



**FIG. 13**



**FIG. 14**



**FIG. 15**