



US00D687630S

(12) **United States Design Patent**
Warner

(10) **Patent No.:** **US D687,630 S**

(45) **Date of Patent:** **** Aug. 13, 2013**

(54) **CARD BAND**

(75) Inventor: **Scott K. Warner**, Lehi, UT (US)

(73) Assignee: **Semco Plastic Company**, St. Louis, MO (US)

(**) Term: **14 Years**

(21) Appl. No.: **29/418,191**

(22) Filed: **Apr. 12, 2012**

(51) **LOC (9) Cl.** **03-01**

(52) **U.S. Cl.**
USPC **D3/247**

(58) **Field of Classification Search**
USPC D3/247, 249-253; 150/130, 132,
150/136-137, 147

See application file for complete search history.

(56) **References Cited**

U.S. PATENT DOCUMENTS

D527,898 S * 9/2006 Tavone D3/247
D585,643 S * 2/2009 Preston-Hall D3/247

D611,249 S * 3/2010 Uzelac D3/247
D620,252 S * 7/2010 Keels D3/247
D628,796 S * 12/2010 Uzelac D3/247

* cited by examiner

Primary Examiner — Holly Baynham

(74) *Attorney, Agent, or Firm* — Workman Nydegger

(57) **CLAIM**

The ornamental design for a card band, as shown and described.

DESCRIPTION

FIG. 1 is perspective view of a card band showing my new design in environmental use;

FIG. 2 is a perspective view thereof;

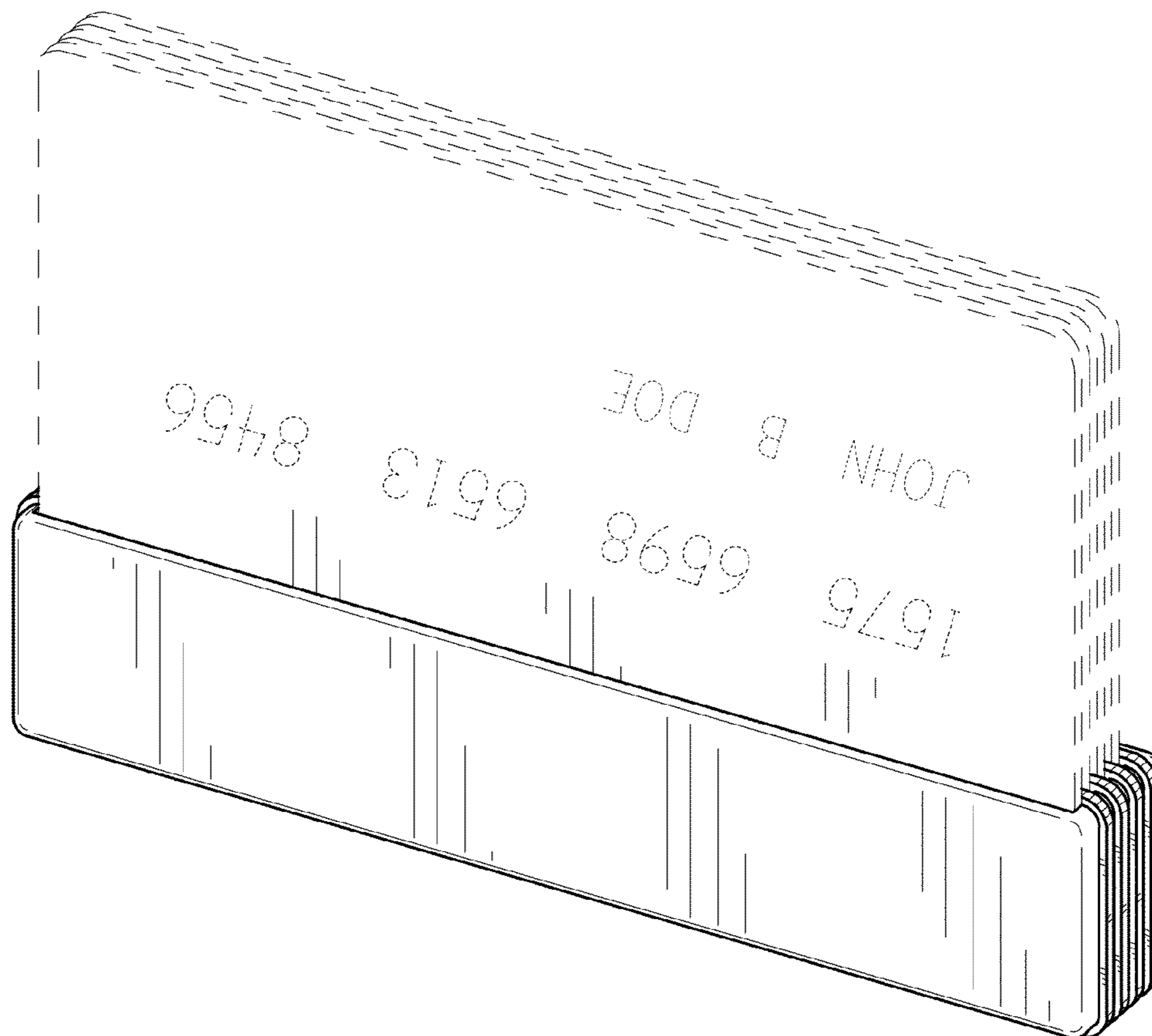
FIG. 3 is a front elevational view thereof, the rear being a mirror image;

FIG. 4 is a left-side elevational view thereof, the right side being a mirror image; and,

FIG. 5 is a bottom plan view thereof, the top being a mirror image.

The broken lines showing cards are for the purposes of illustrating environment and form no part of the claimed design.

1 Claim, 3 Drawing Sheets



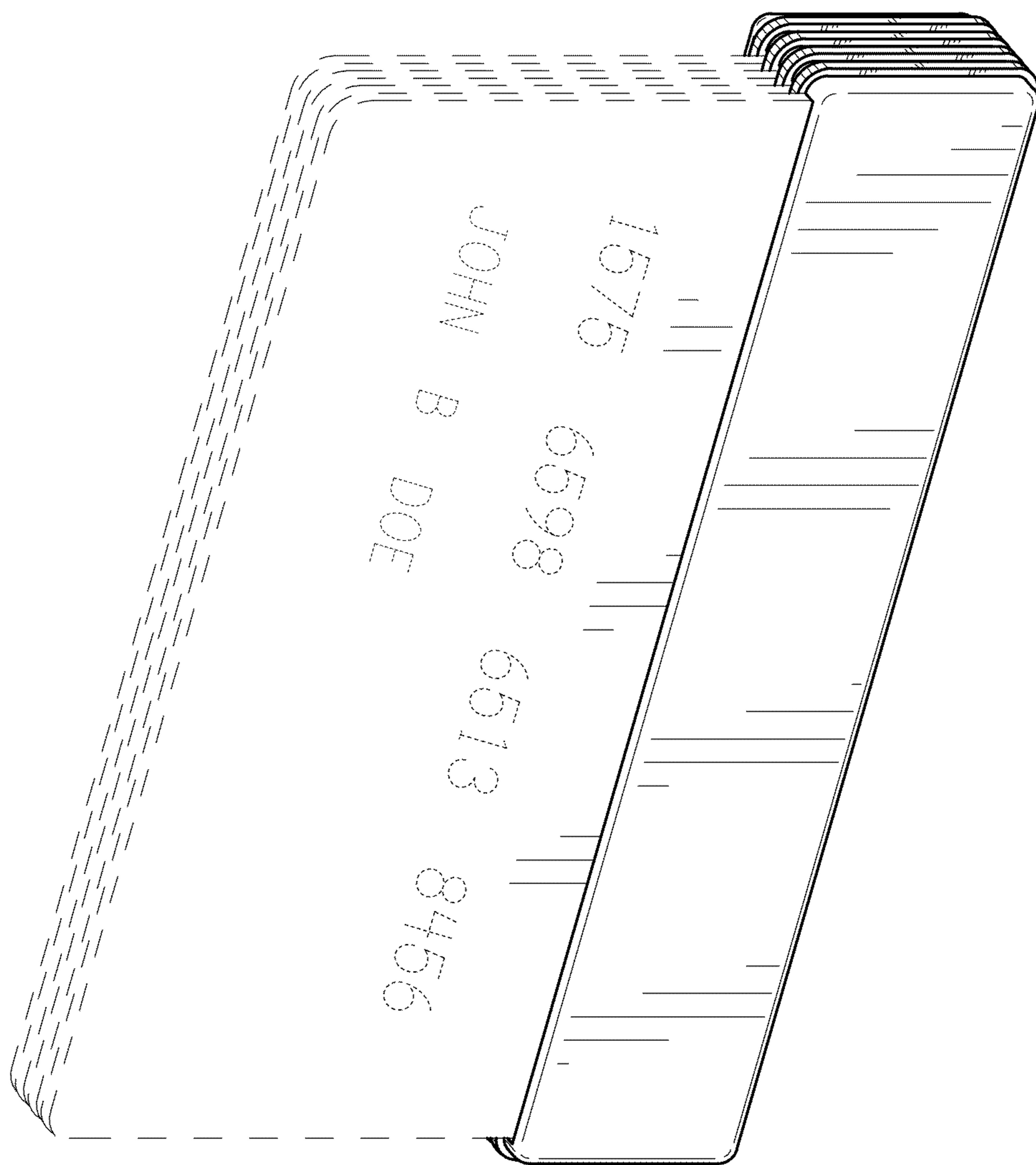


FIG. 1

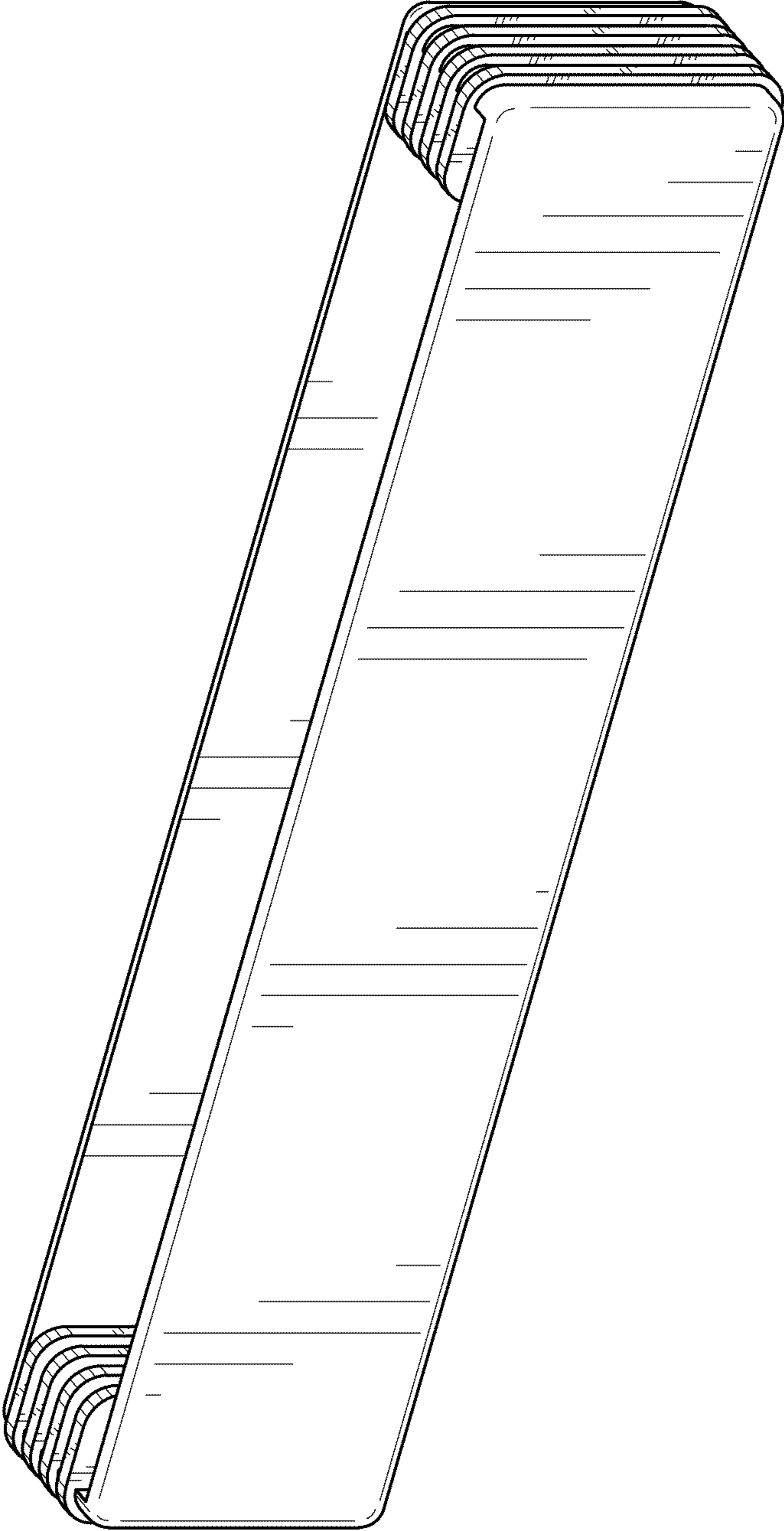


FIG. 2

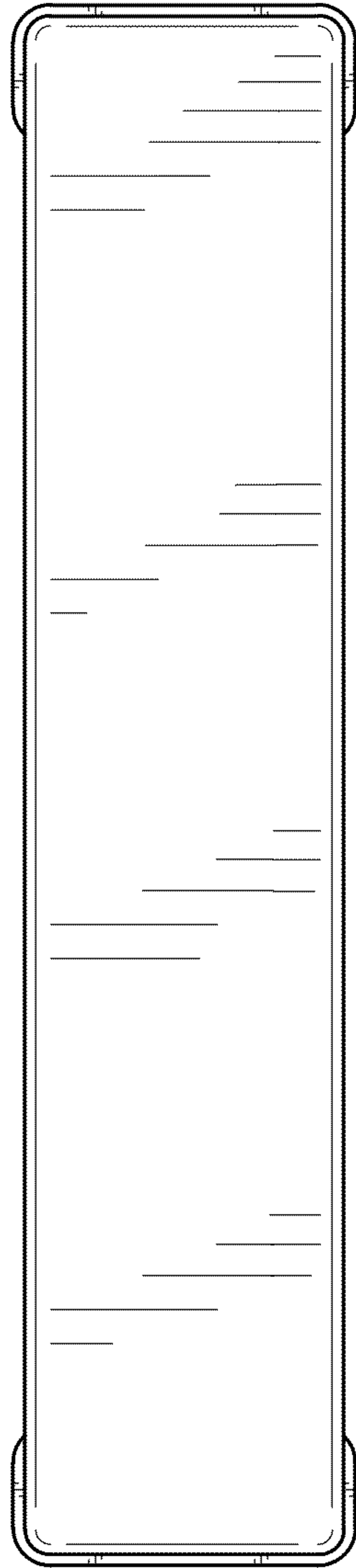


FIG. 3

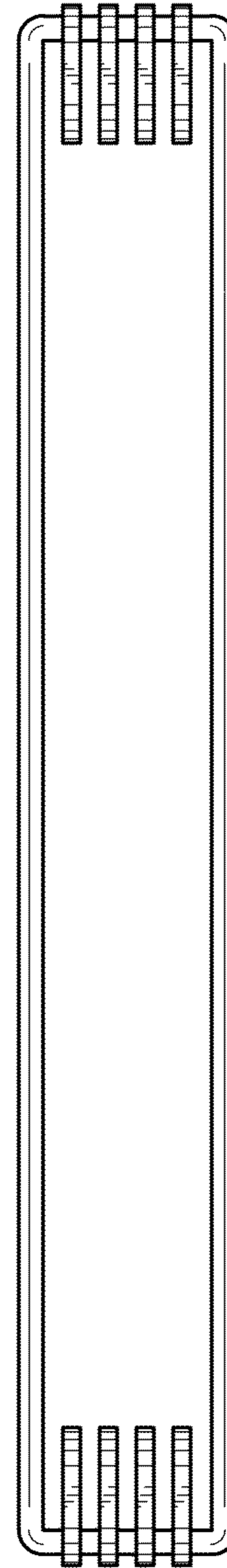


FIG. 5

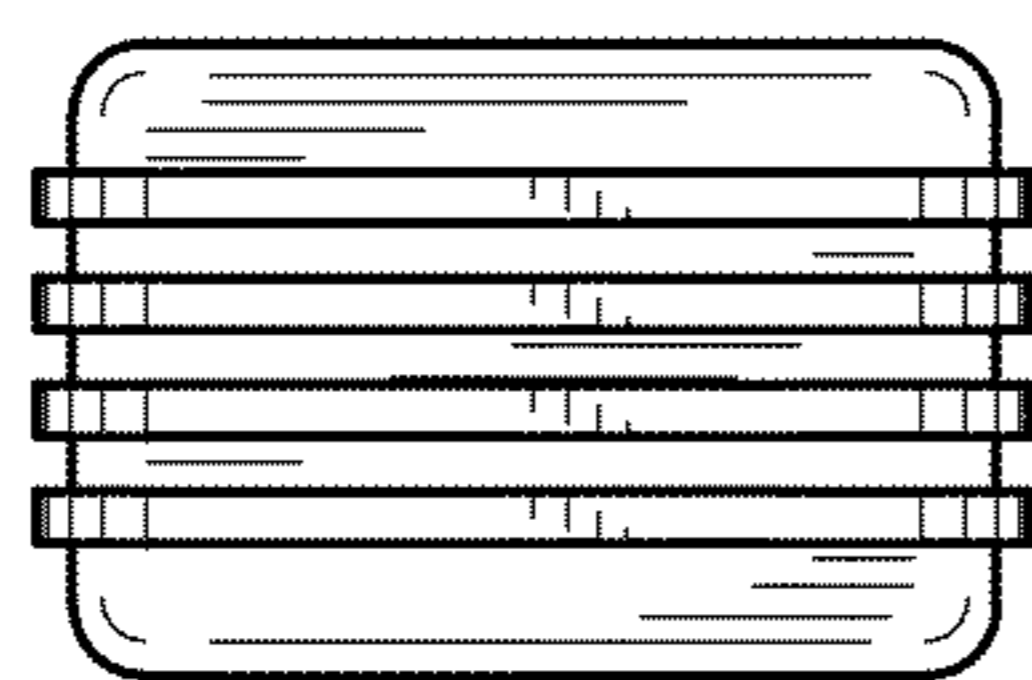


FIG. 4