



US00D687628S

(12) **United States Design Patent**
Burns

(10) **Patent No.:** **US D687,628 S**

(45) **Date of Patent:** **** Aug. 13, 2013**

(54) **WET BAG**

(76) Inventor: **Lisa M. Burns**, Tualatin, OR (US)

(**) Term: **14 Years**

(21) Appl. No.: **29/430,216**

(22) Filed: **Aug. 22, 2012**

(51) **LOC (9) Cl.** **03-01**

(52) **U.S. Cl.**
USPC **D3/226**

(58) **Field of Classification Search**
USPC D3/226, 215, 224, 230, 232-234,
D3/221, 218-219; 224/240-241, 245, 230,
224/675; 383/4, 23, 40-41, 67, 75, 95
See application file for complete search history.

(56) **References Cited**

U.S. PATENT DOCUMENTS

D380,606 S *	7/1997	Chen	D3/226
D503,533 S *	4/2005	Cabey	D3/226
D658,871 S *	5/2012	Voit	D3/226

* cited by examiner

Primary Examiner — Catheri Oliver-Garcia

(74) *Attorney, Agent, or Firm* — Schwabe, Williamson & Wyatt

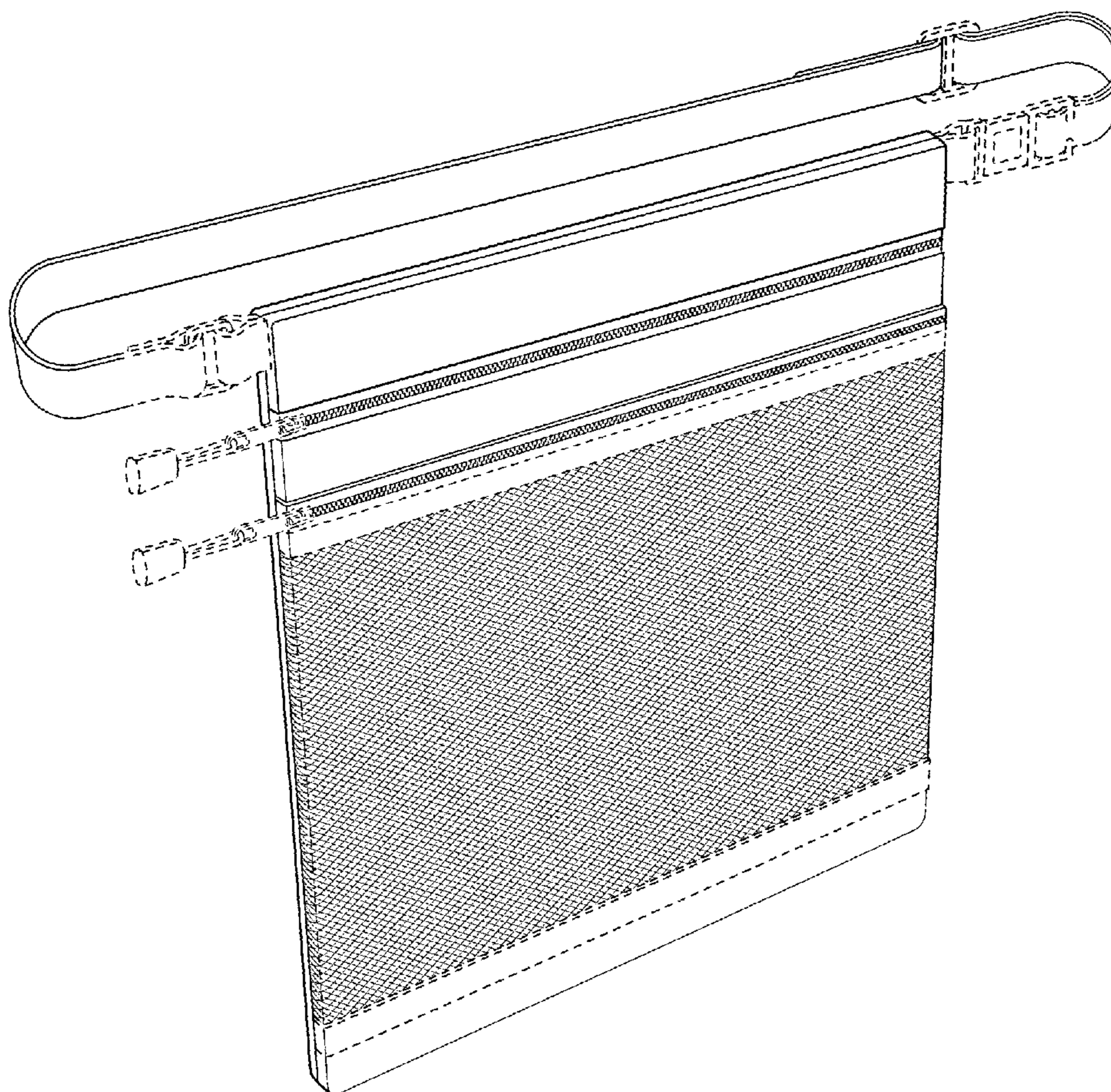
(57) **CLAIM**

I claim an ornamental design for the wet bag, as shown and described.

DESCRIPTION

FIG. 1 is a front perspective of the wet bag, showing my new design;
FIG. 2 is a front view thereof;
FIG. 3 is a rear view thereof;
FIG. 4 is a right side view thereof;
FIG. 5 is a left side view thereof;
FIG. 6 is a top view thereof;
FIG. 7 is a bottom view thereof; and,
FIG. 8 is a rear view showing an accessory pouch uncoupled from the wet bag.
The dashed lines are included for illustrating environmental structure and form no part of the claimed design.

1 Claim, 6 Drawing Sheets



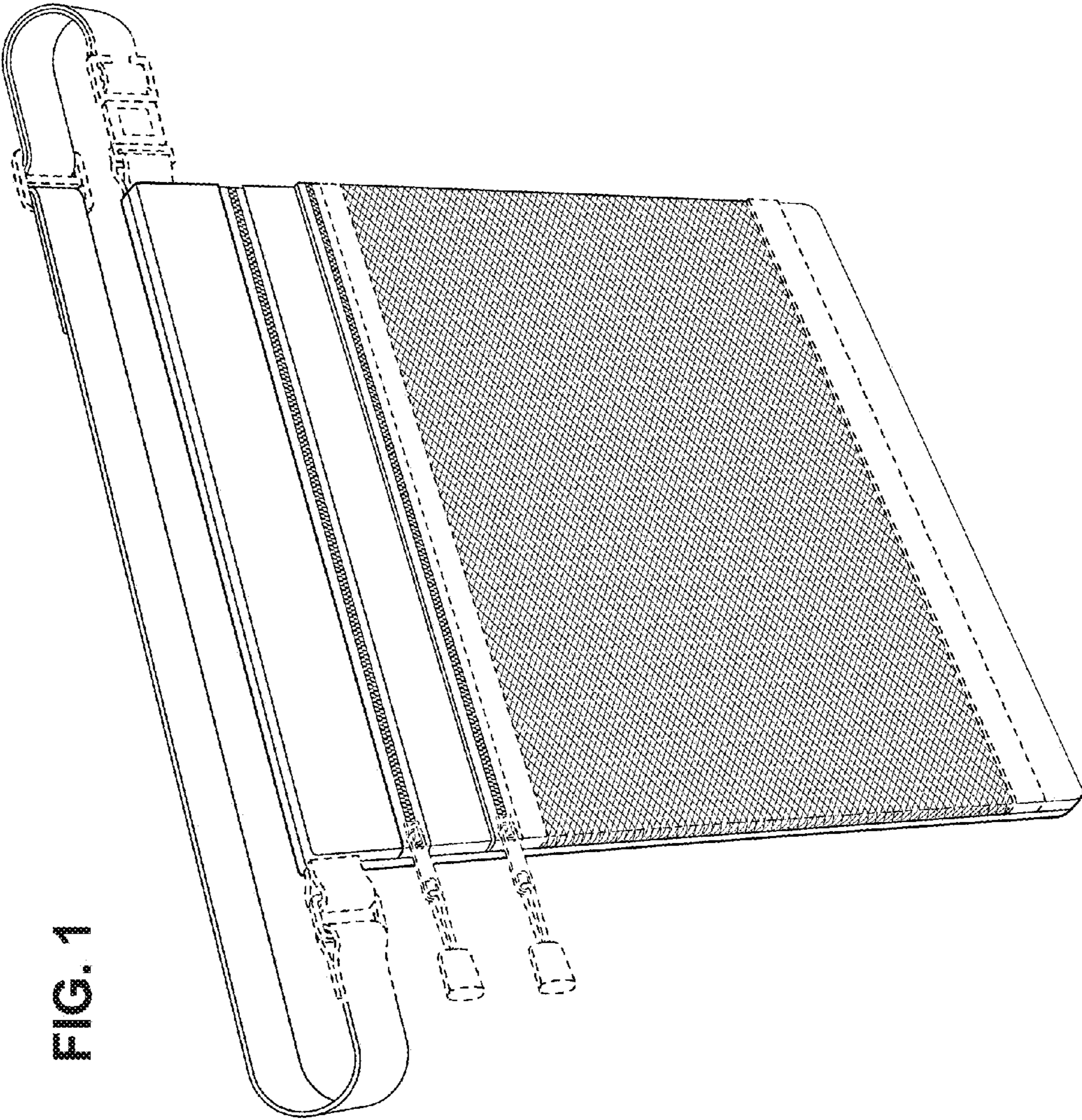


FIG. 1

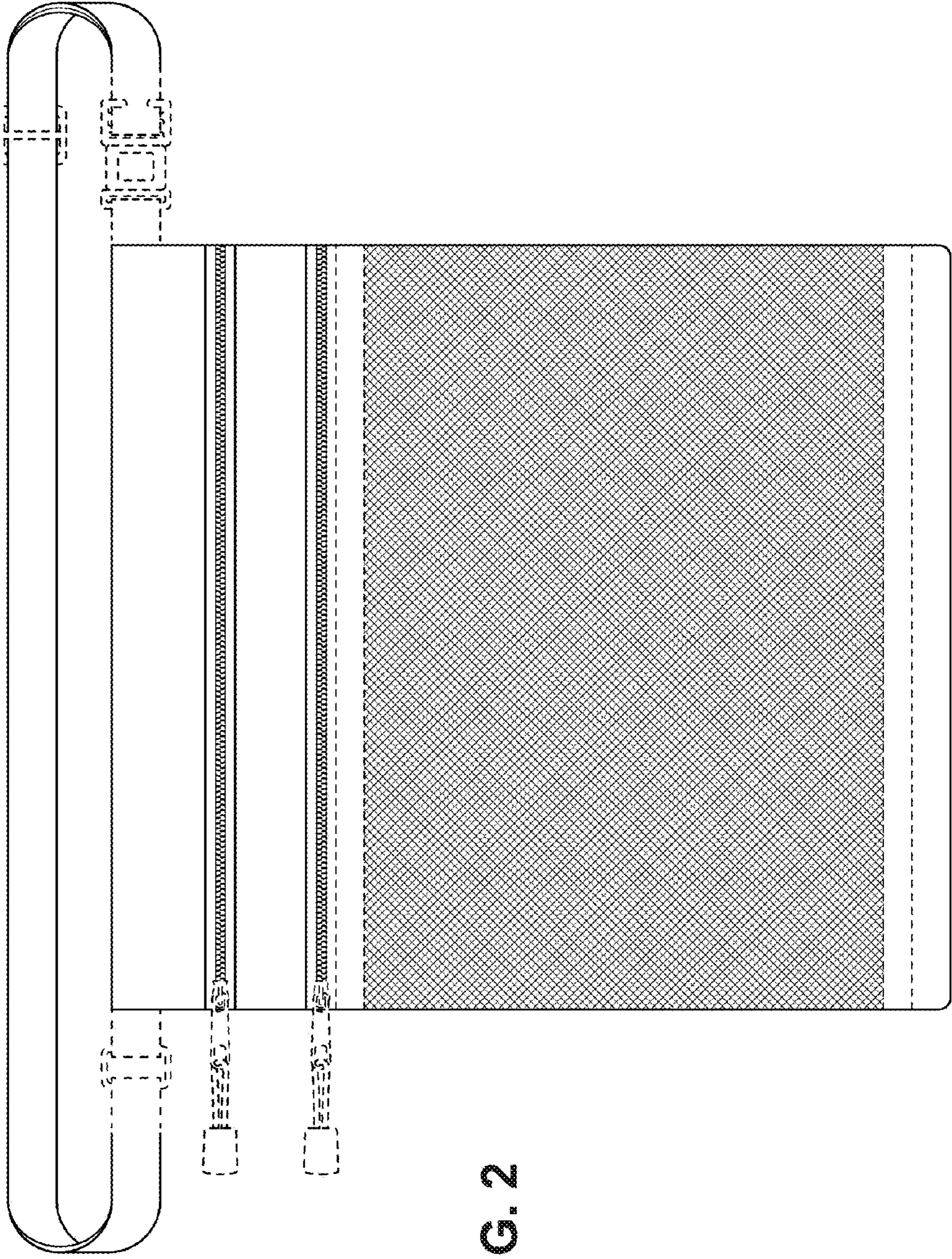


FIG. 2

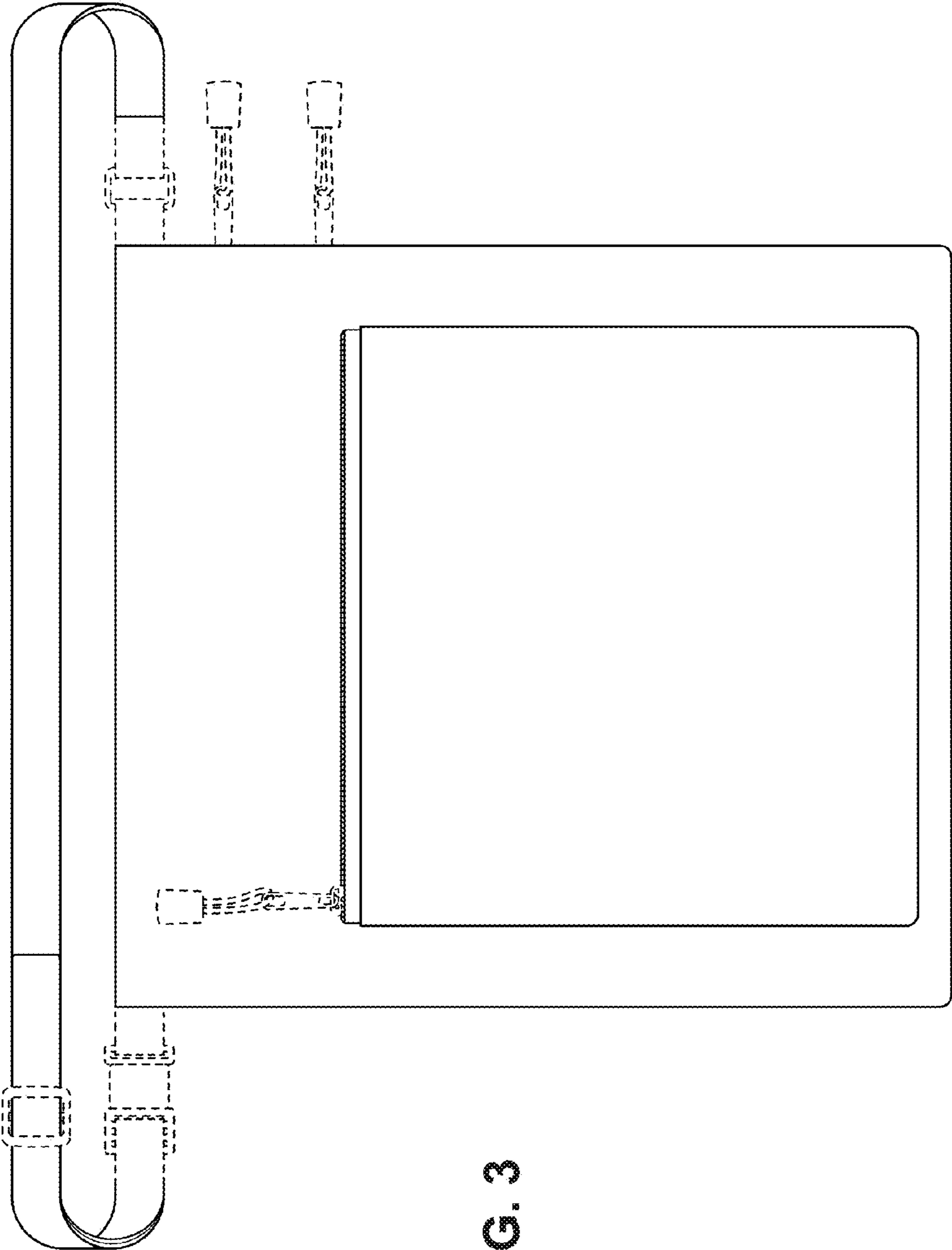


FIG. 3

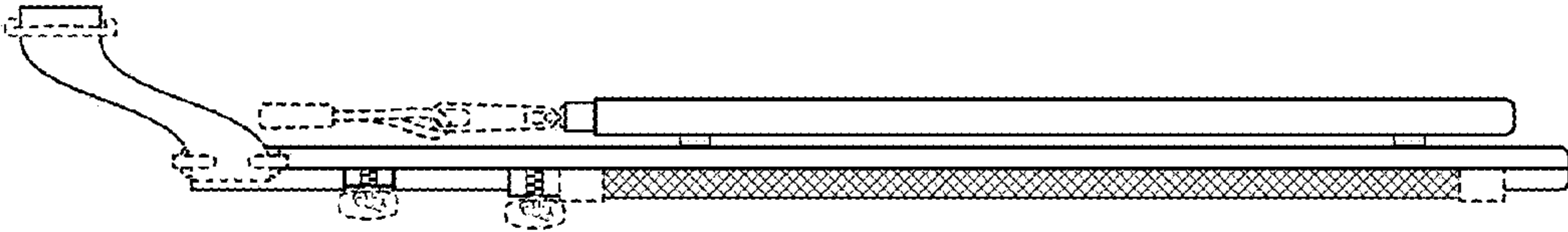


FIG. 5

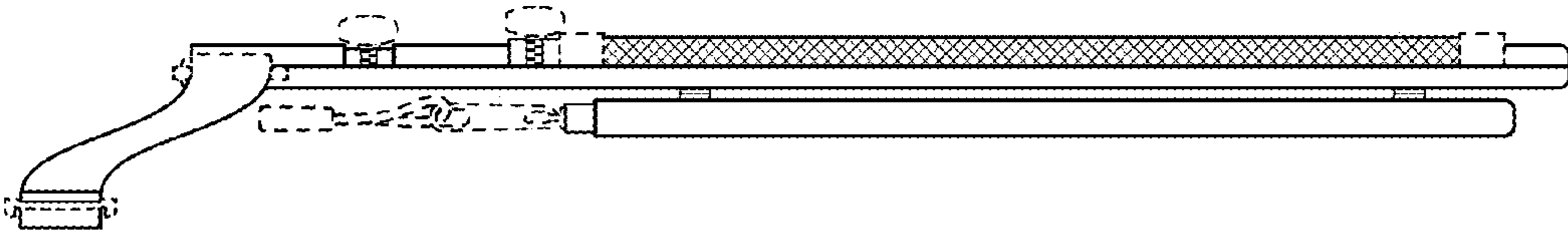


FIG. 4

FIG. 6

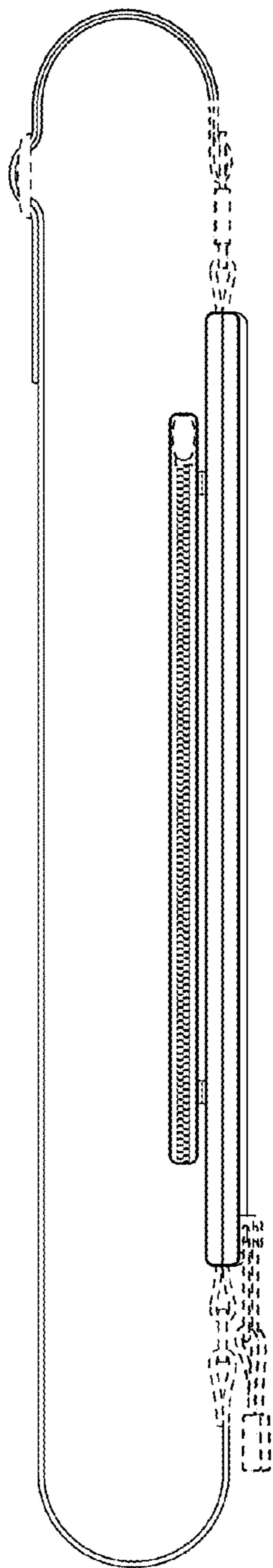
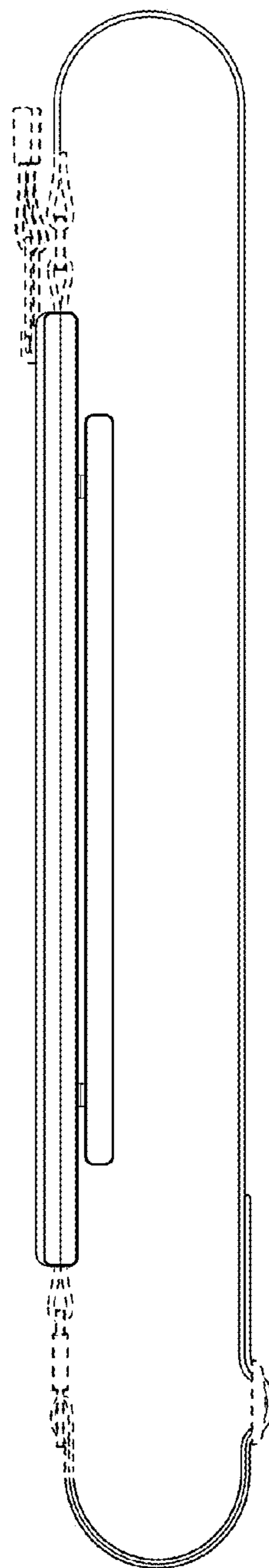


FIG. 7



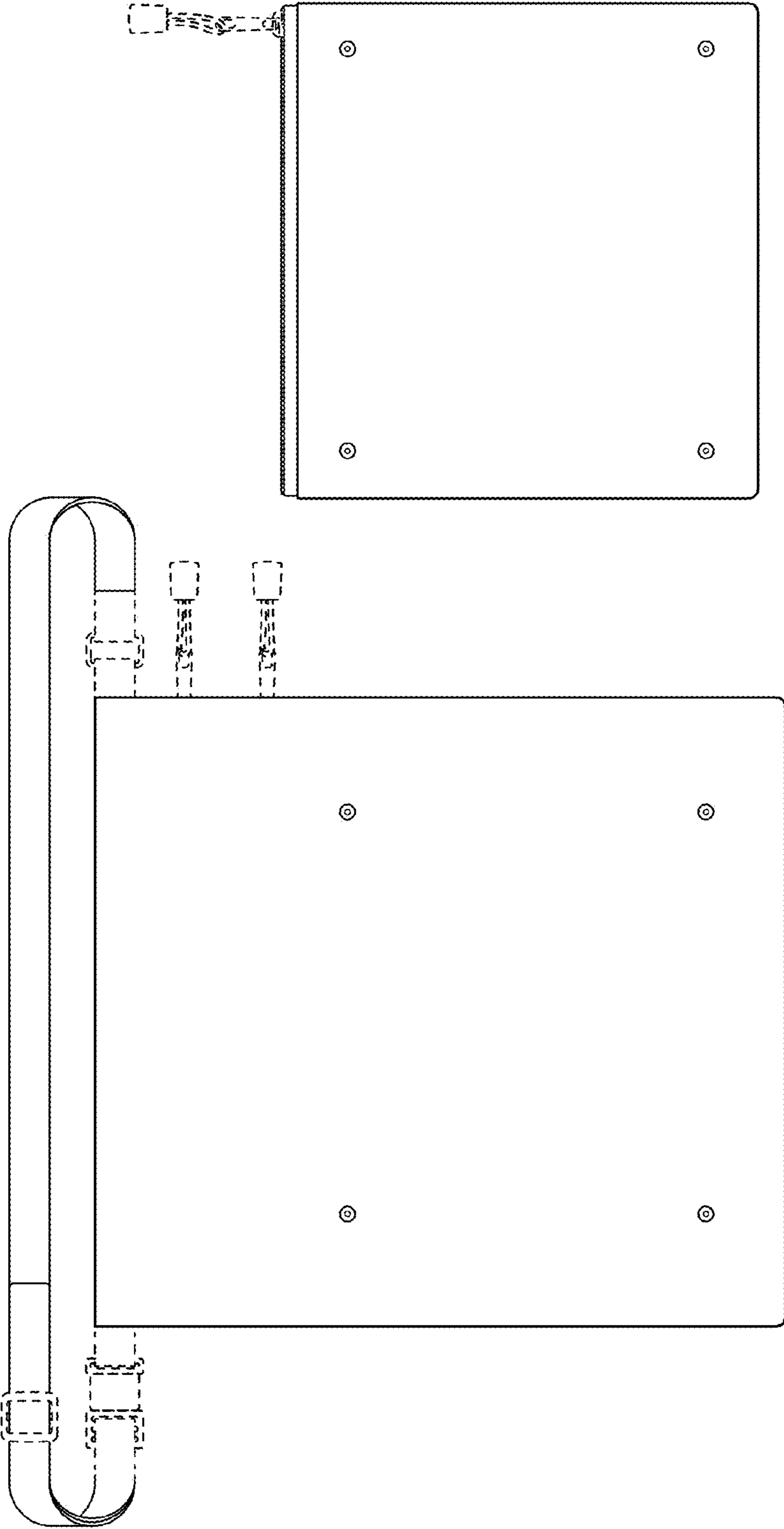


FIG. 8