



US00D687627S

(12) **United States Design Patent**
Schiffman

(10) **Patent No.:** **US D687,627 S**
(45) **Date of Patent:** **** Aug. 13, 2013**

(54) **BACKPACK**

- (76) Inventor: **Wendela Schiffman**, Los Altos, CA (US)
- (**) Term: **14 Years**
- (21) Appl. No.: **29/385,610**
- (22) Filed: **Feb. 16, 2011**
- (51) **LOC (9) Cl.** **03-01**
- (52) **U.S. Cl.**
USPC **D3/217**
- (58) **Field of Classification Search**
USPC D2/830; D3/214, 215, 216, 217,
D3/270, 321; 224/153, 577, 578, 407;
128/202.22, 205.22
See application file for complete search history.

(56) **References Cited**

U.S. PATENT DOCUMENTS

D123,296	S	*	10/1940	Kulick	D3/321
2,394,782	A	*	2/1946	Kalske	294/141
4,089,447	A	*	5/1978	Achmeteli	224/644
4,153,092	A	*	5/1979	Haslam	150/108
D253,135	S	*	10/1979	Fontana	D3/214
D315,825	S	*	4/1991	Hutton et al.	D3/217
D382,106	S	*	8/1997	Hillestad	D3/221
5,704,528	A	*	1/1998	Faure	224/583
D390,352	S	*	2/1998	Lane	D3/216
D392,094	S	*	3/1998	Lane	D3/217
5,769,295	A	*	6/1998	Alves	224/613
5,797,529	A	*	8/1998	Lavine	224/575
D435,962	S	*	1/2001	Kohlhase	D3/217
D458,018	S	*	6/2002	Mentken	D3/217
D517,800	S	*	3/2006	de Baschmakoff	D3/217
D547,054	S	*	7/2007	Kavovit	D3/217
D553,350	S	*	10/2007	Dvorak	D3/217
D635,762	S	*	4/2011	Fahim	D3/217
2008/0035693	A1	*	2/2008	Lee	224/578

* cited by examiner

Primary Examiner — T. Chase Nelson
(74) *Attorney, Agent, or Firm* — Fenwick & West LLP

(57) **CLAIM**

The ornamental design for a backpack, as shown and described.

DESCRIPTION

FIG. 1 is a back perspective view of the backpack according to a first embodiment of the present invention, with a strap shown in phantom forming no part of the first embodiment of the invention and wherein line shading and stippling are used in different areas in the drawing to show the appearance of contrasting surfaces, unlimited by colors and specific materials;

FIG. 2 is a front perspective view according to the first embodiment thereof, with a strap shown in phantom forming no part of the first embodiment of the invention and wherein line shading and stippling are used in different areas in the drawing to show the appearance of contrasting surfaces, unlimited by colors and specific materials;

FIG. 3 is a rear view according to the first embodiment thereof, with a strap shown in phantom forming no part of the first embodiment of the invention and wherein line shading and stippling are used in different areas in the drawing to show the appearance of contrasting surfaces, unlimited by colors and specific materials;

FIG. 4 is a rear view according to the first embodiment thereof wherein line shading and stippling are used in different areas in the drawing to show the appearance of contrasting surfaces, unlimited by colors and specific materials;

FIG. 5 is a front view according to the first embodiment thereof with a strap shown in phantom forming no part of the first embodiment of the invention and wherein line shading and stippling are used in different areas in the drawing to show the appearance of contrasting surfaces, unlimited by colors and specific materials;

FIG. 6 is a left side view according to the first embodiment thereof with a strap shown in phantom forming no part of the first embodiment of the invention and wherein line shading and stippling are used in different areas in the drawing to show the appearance of contrasting surfaces, unlimited by colors and specific materials;

FIG. 7 is a right side view according to the first embodiment thereof with a strap shown in phantom forming no part of the first embodiment of the invention and wherein line shading and stippling are used in different areas in the drawing to show the appearance of contrasting surfaces, unlimited by colors and specific materials;

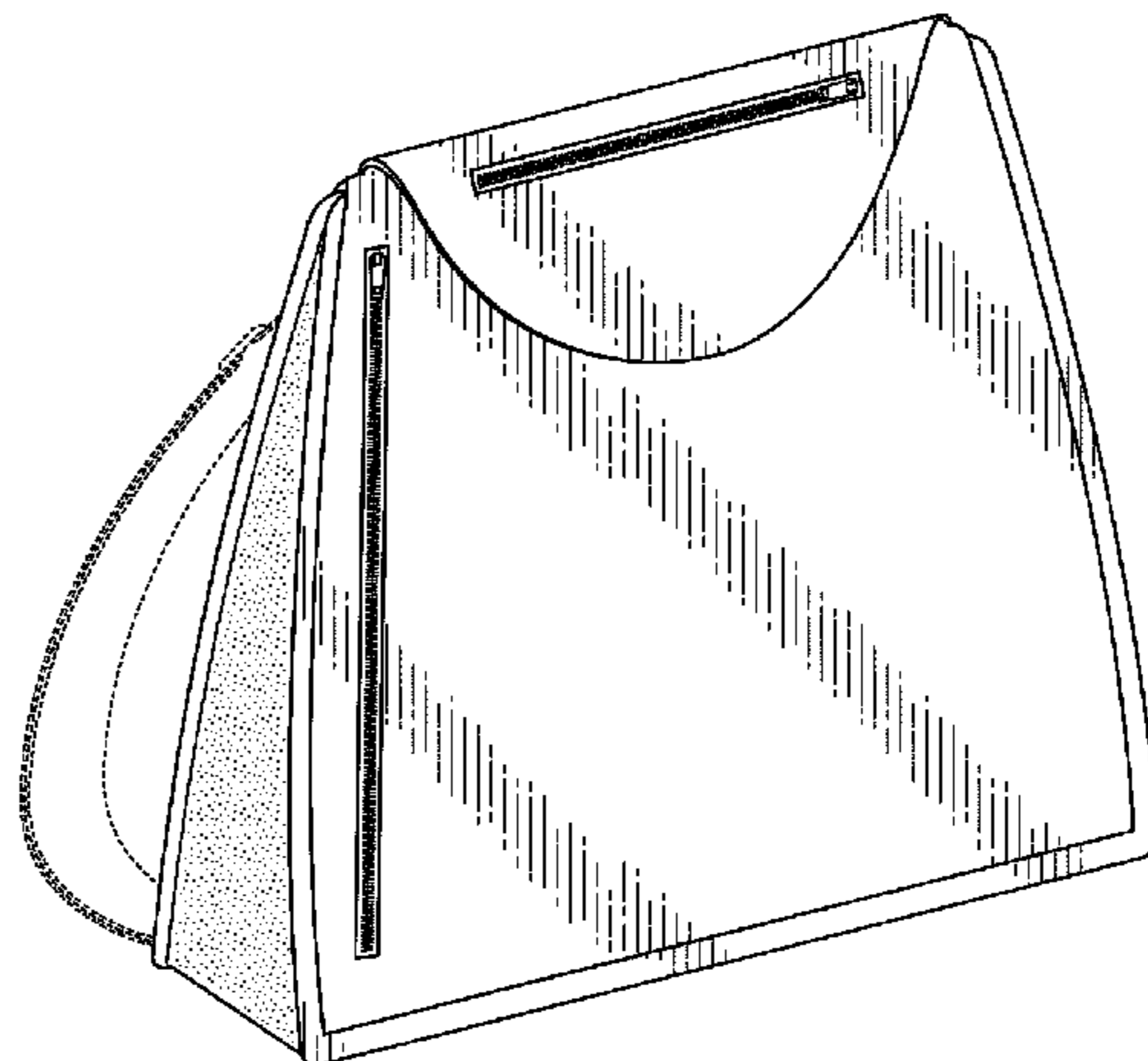
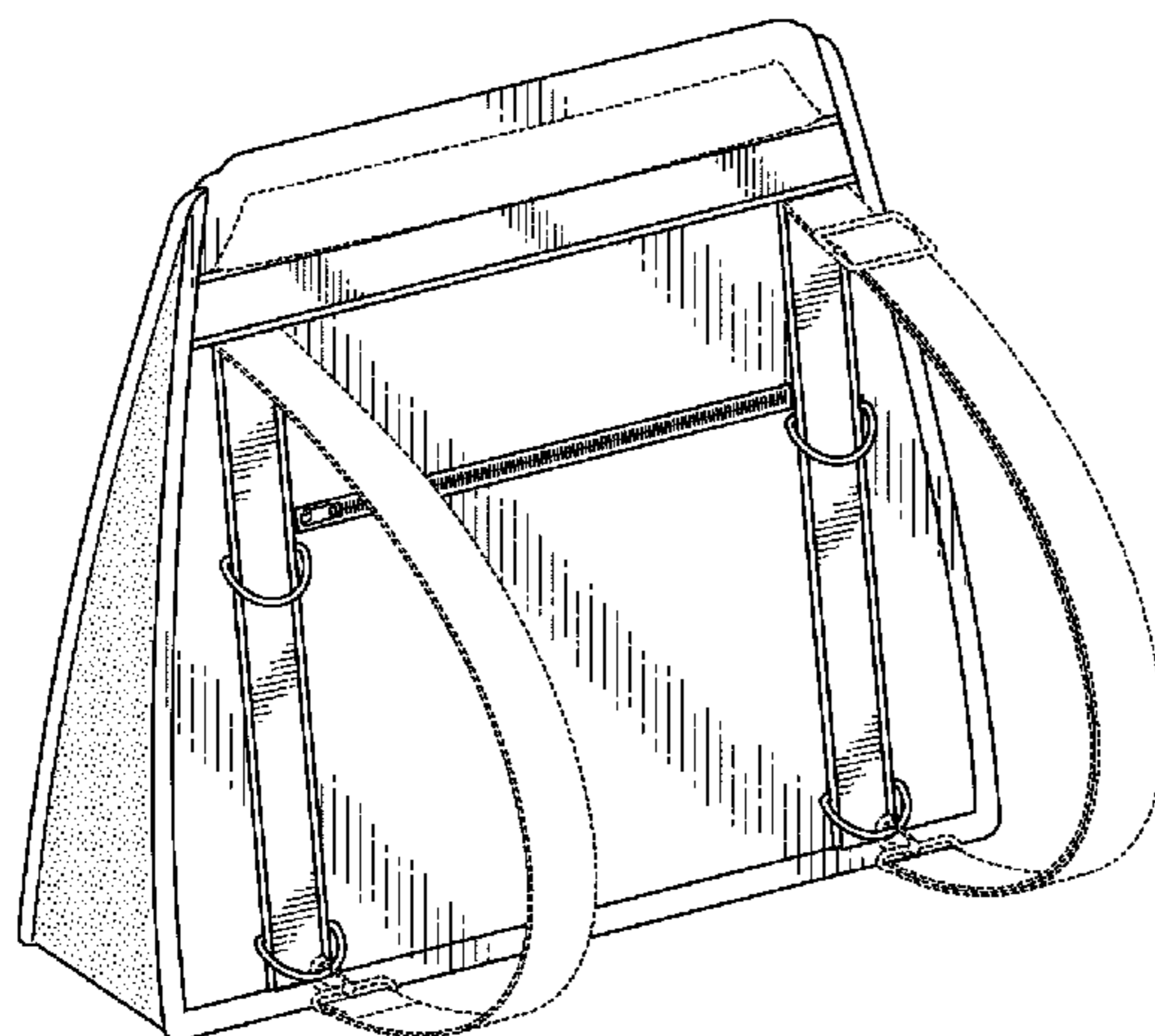


FIG. **8** is a top view according to the first embodiment thereof with a strap shown in phantom forming no part of the first embodiment of the invention and wherein line shading and stippling are used in different areas in the drawing to show the appearance of contrasting surfaces, unlimited by colors and specific materials;

FIG. **9** is a bottom view according to the first embodiment thereof with a strap shown in phantom forming no part of the first embodiment of the invention and wherein line shading and stippling are used in different areas in the drawing to show the appearance of contrasting surfaces, unlimited by colors and specific materials;

FIG. **10** a back perspective view of the backpack according to a second embodiment of the present invention, with a strap shown in phantom forming no part of the second embodiment of the invention;

FIG. **11** is a front perspective view of the backpack according to the second embodiment thereof, with a strap shown in phantom forming no part of the second embodiment of the invention;

FIG. **12** is a back view of the backpack according to the second embodiment thereof, with a strap shown in phantom forming no part of the second embodiment of the invention;

FIG. **13** is a back view of the backpack according to a second embodiment thereof;

FIG. **14** is a front view according to the second embodiment thereof with a strap shown in phantom forming no part of the second embodiment of the invention;

FIG. **15** is a left view according to the second embodiment thereof with a strap shown in phantom forming no part of the second embodiment of the invention;

FIG. **16** is a right view according to the second embodiment thereof with a strap shown in phantom forming no part of the second embodiment of the invention;

FIG. **17** is a top view according to the second embodiment thereof with a strap shown in phantom forming no part of the second embodiment of the invention; and,

FIG. **18** is a bottom view according to the second embodiment thereof with a strap shown in phantom forming no part of the second embodiment of the invention.

Broken lines within the Figures are shown for purposes of illustrating portions of the backpack that form no part of the claimed design.

1 Claim, 14 Drawing Sheets

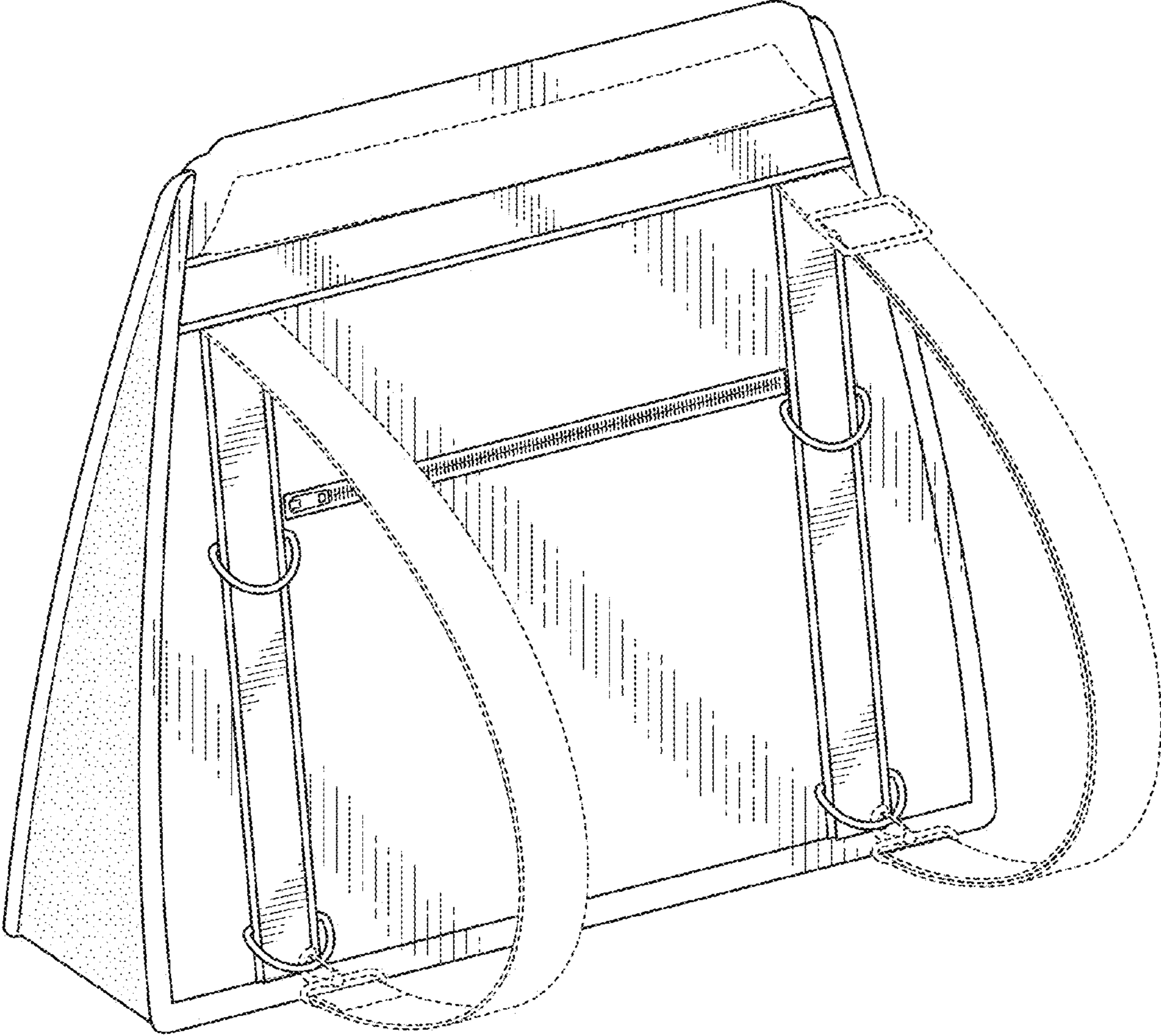


FIG. 1

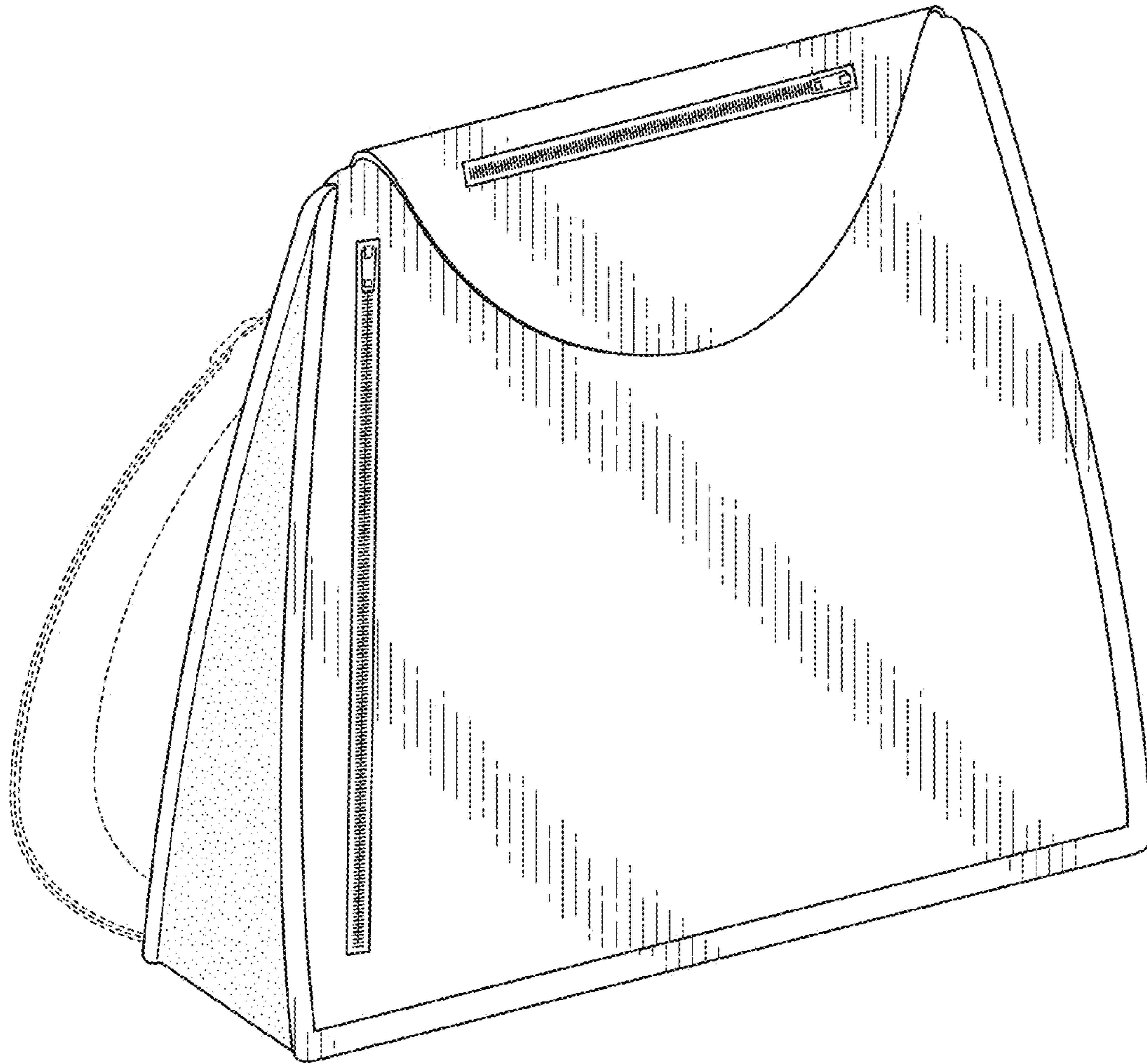


FIG. 2

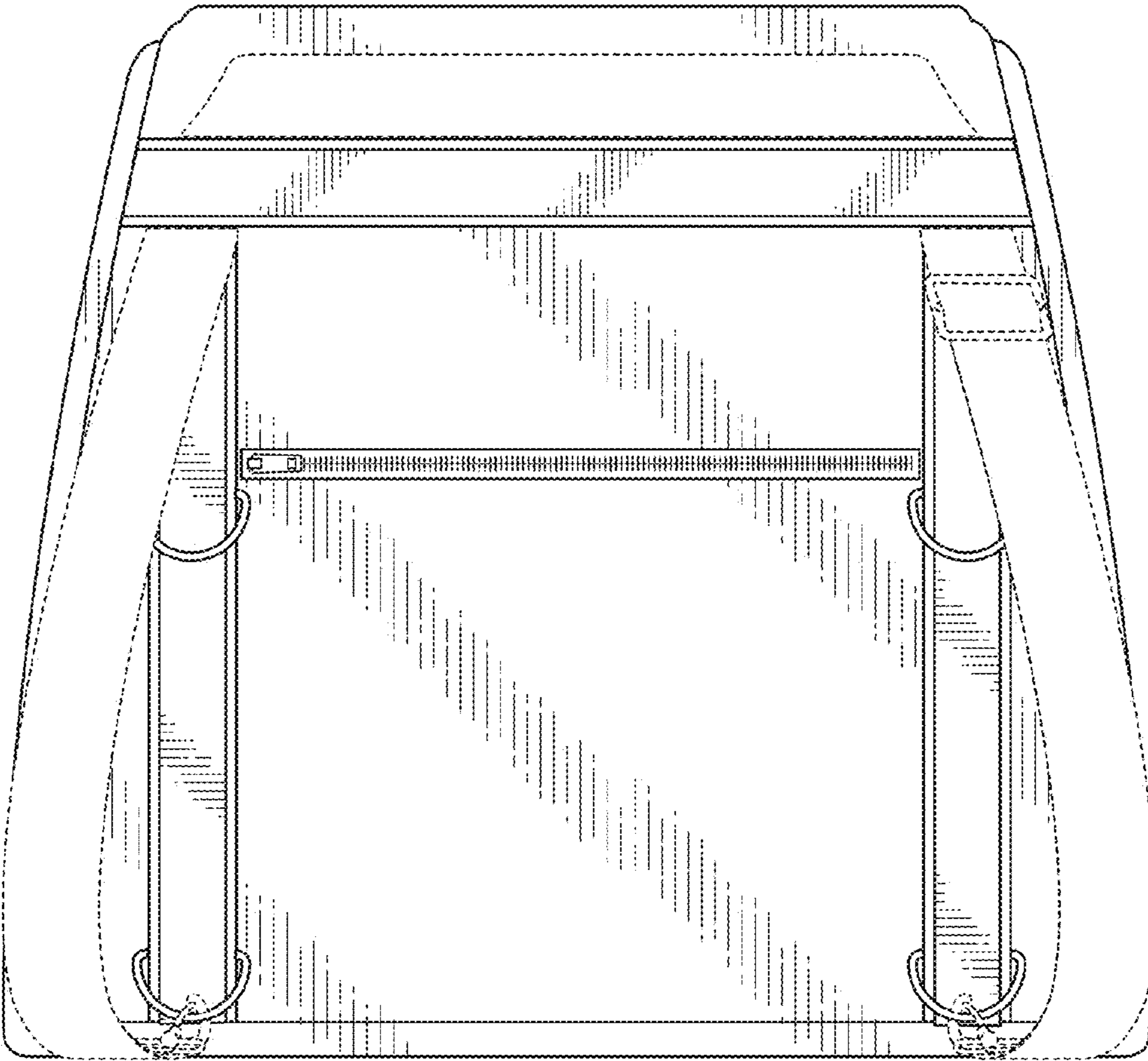


FIG. 3

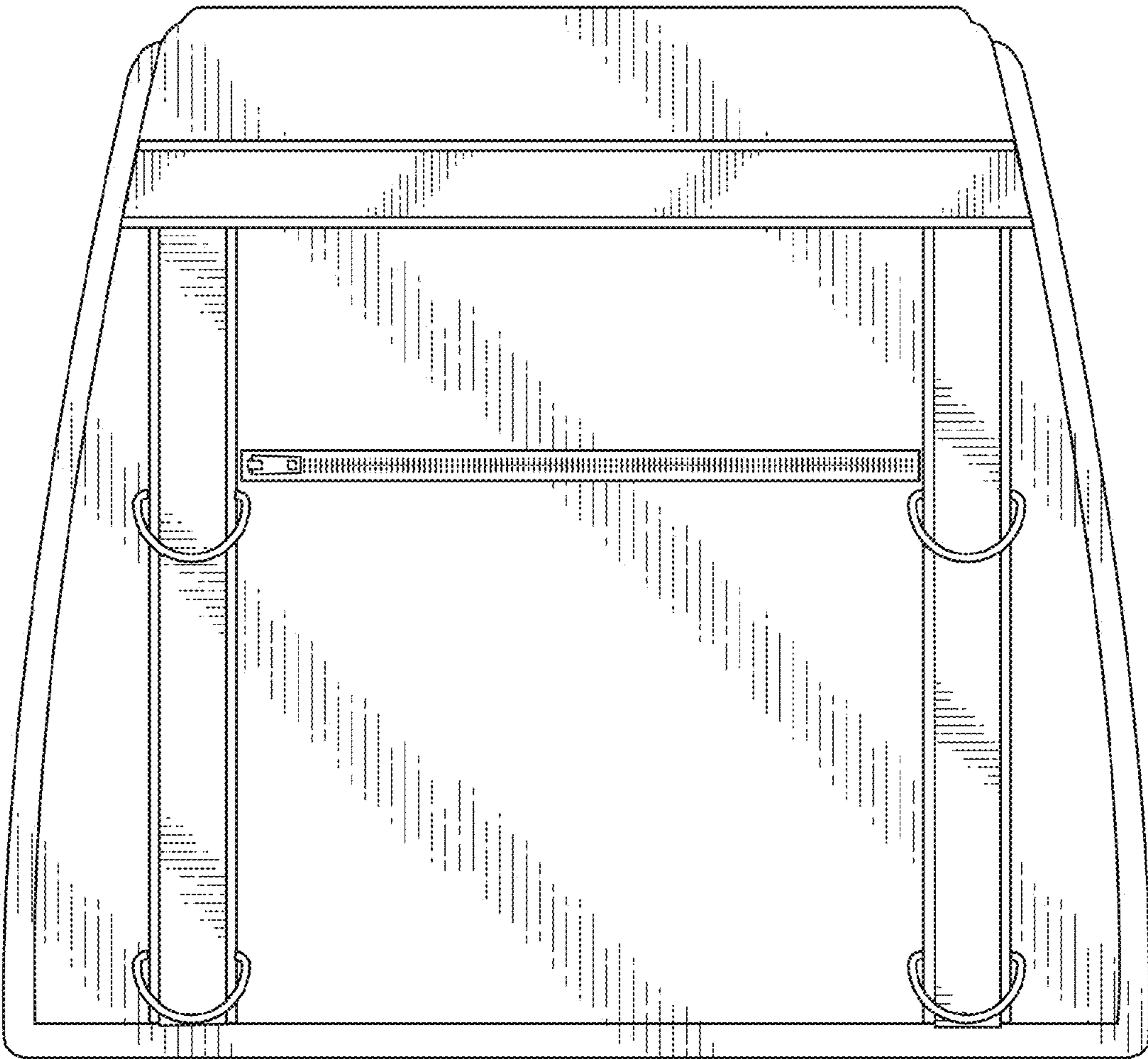


FIG. 4

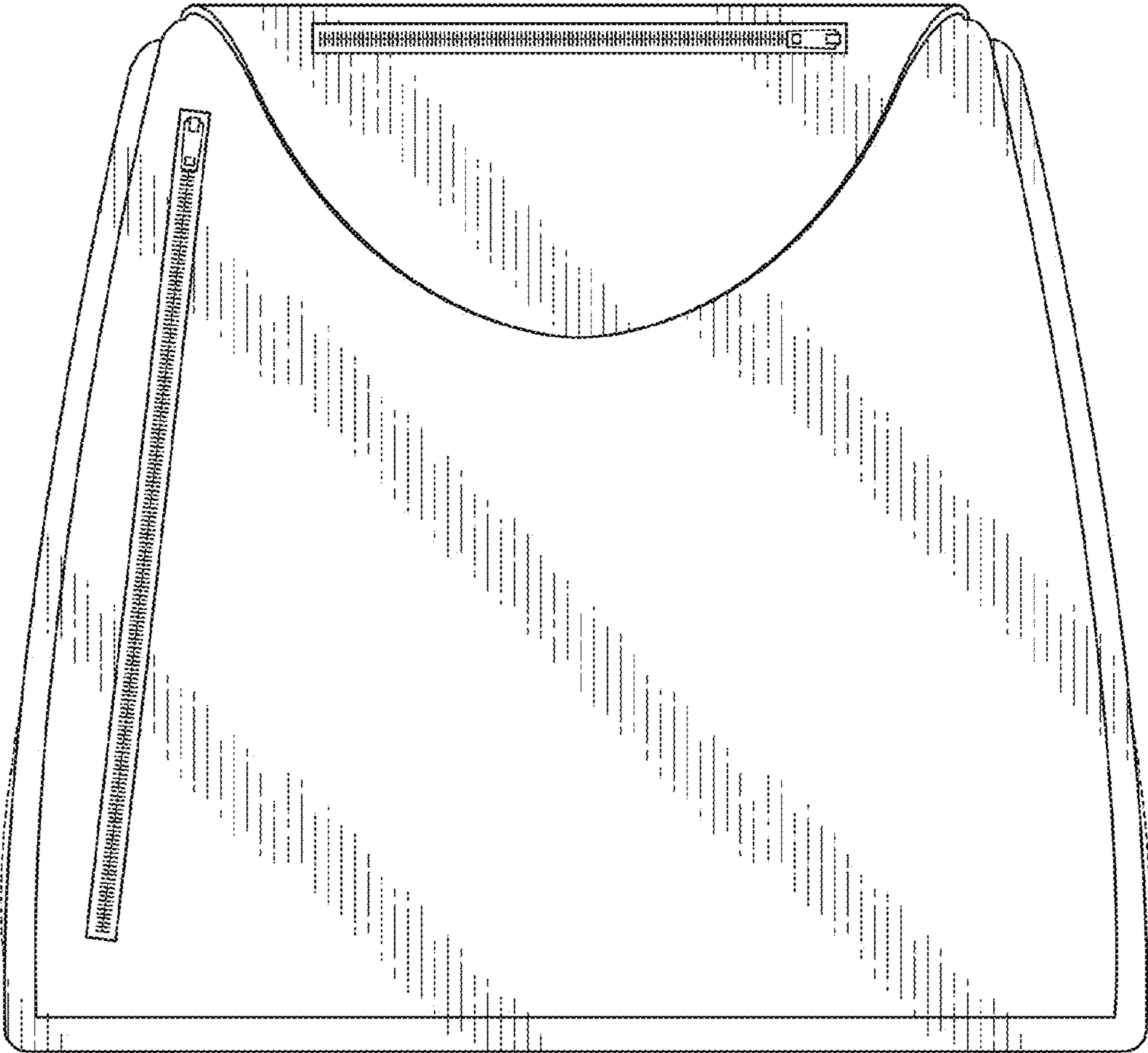


FIG. 5

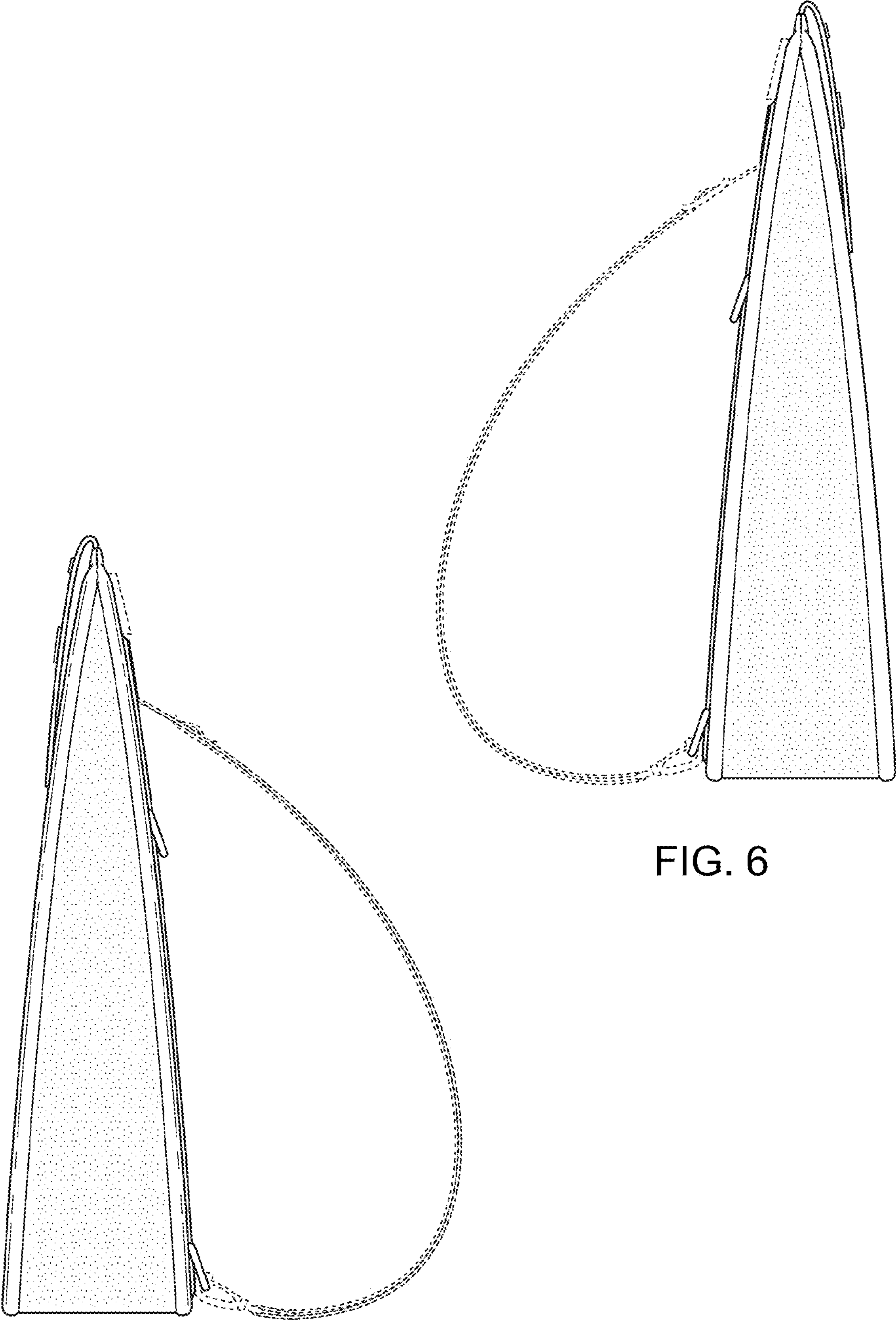


FIG. 6

FIG. 7

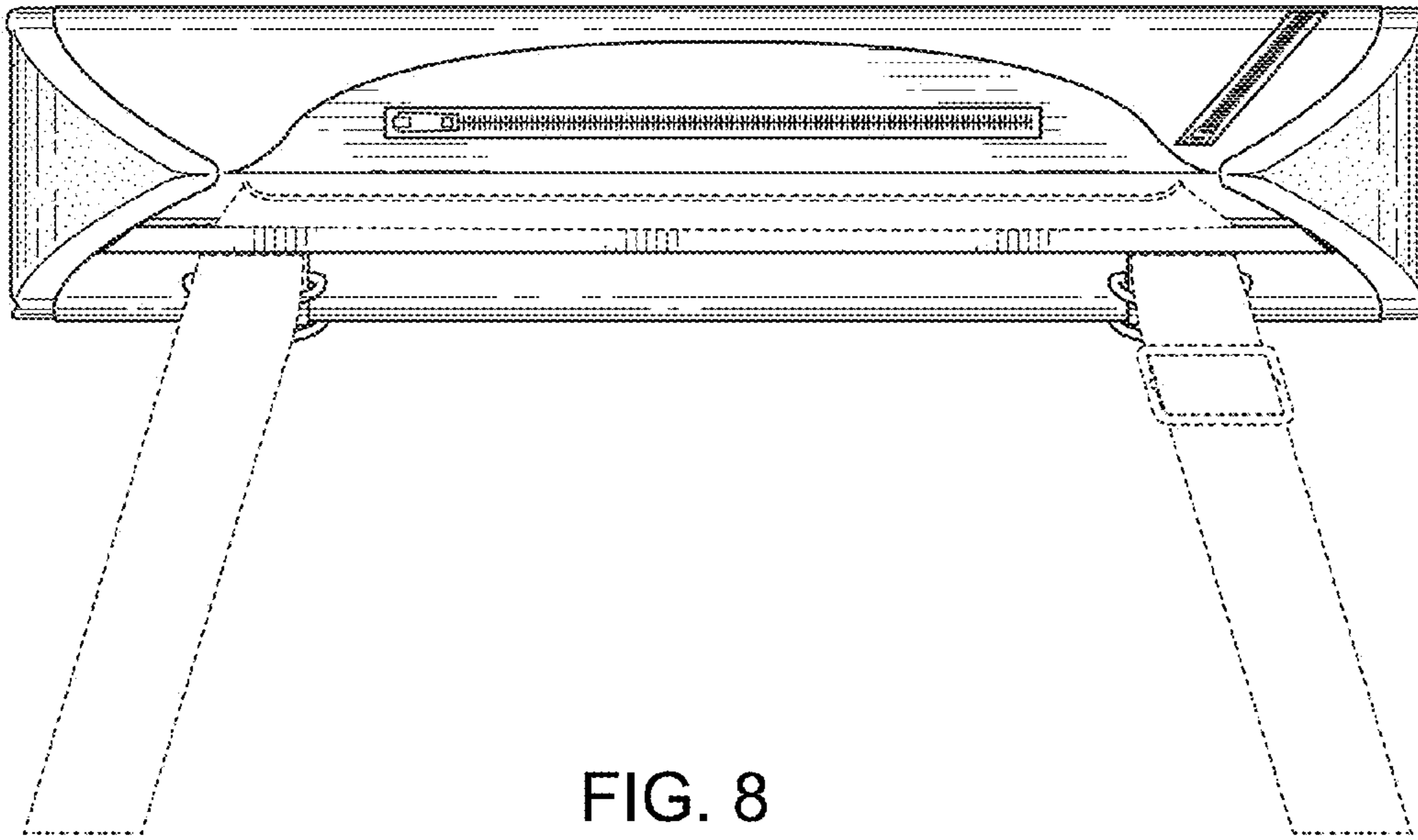


FIG. 8

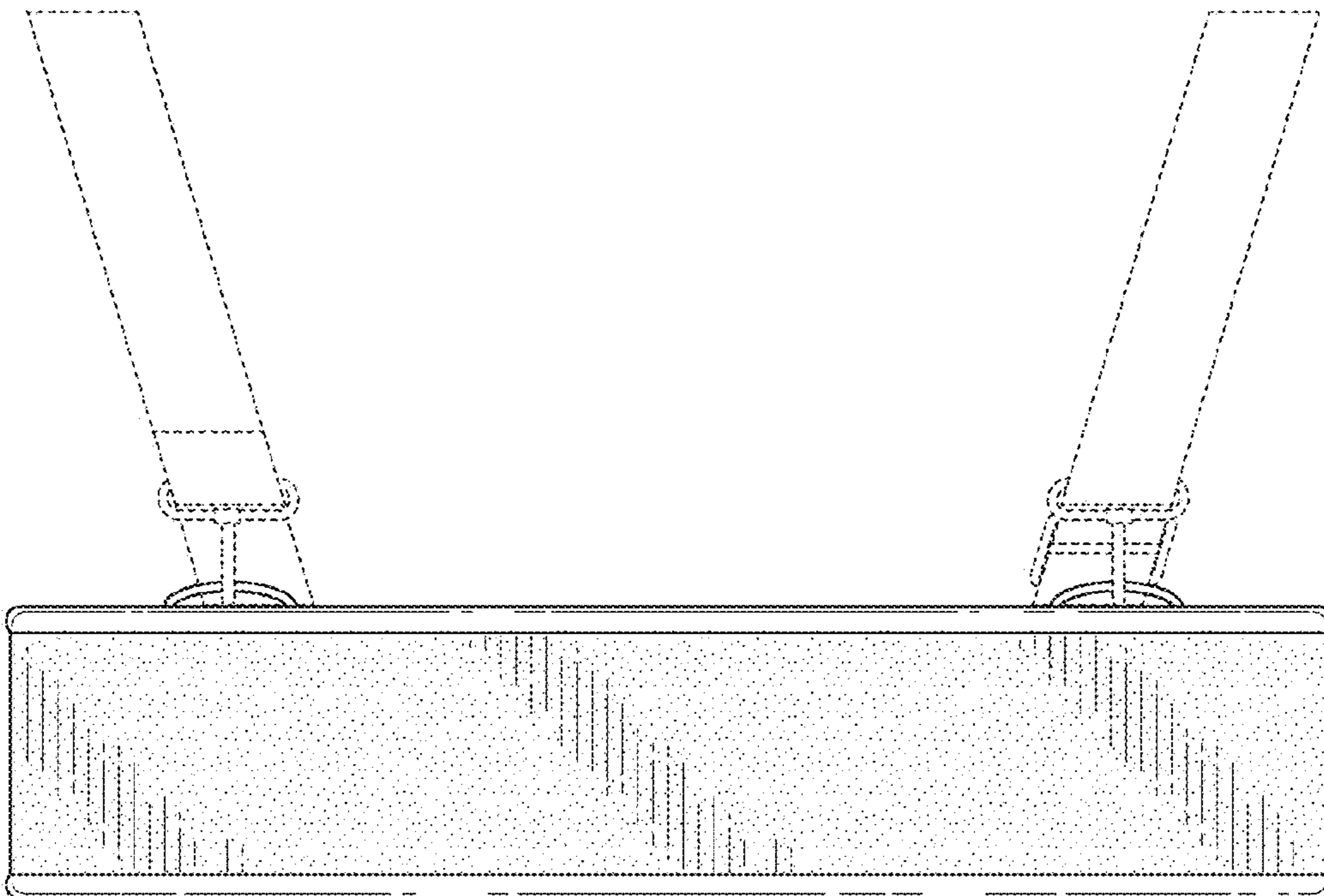


FIG. 9

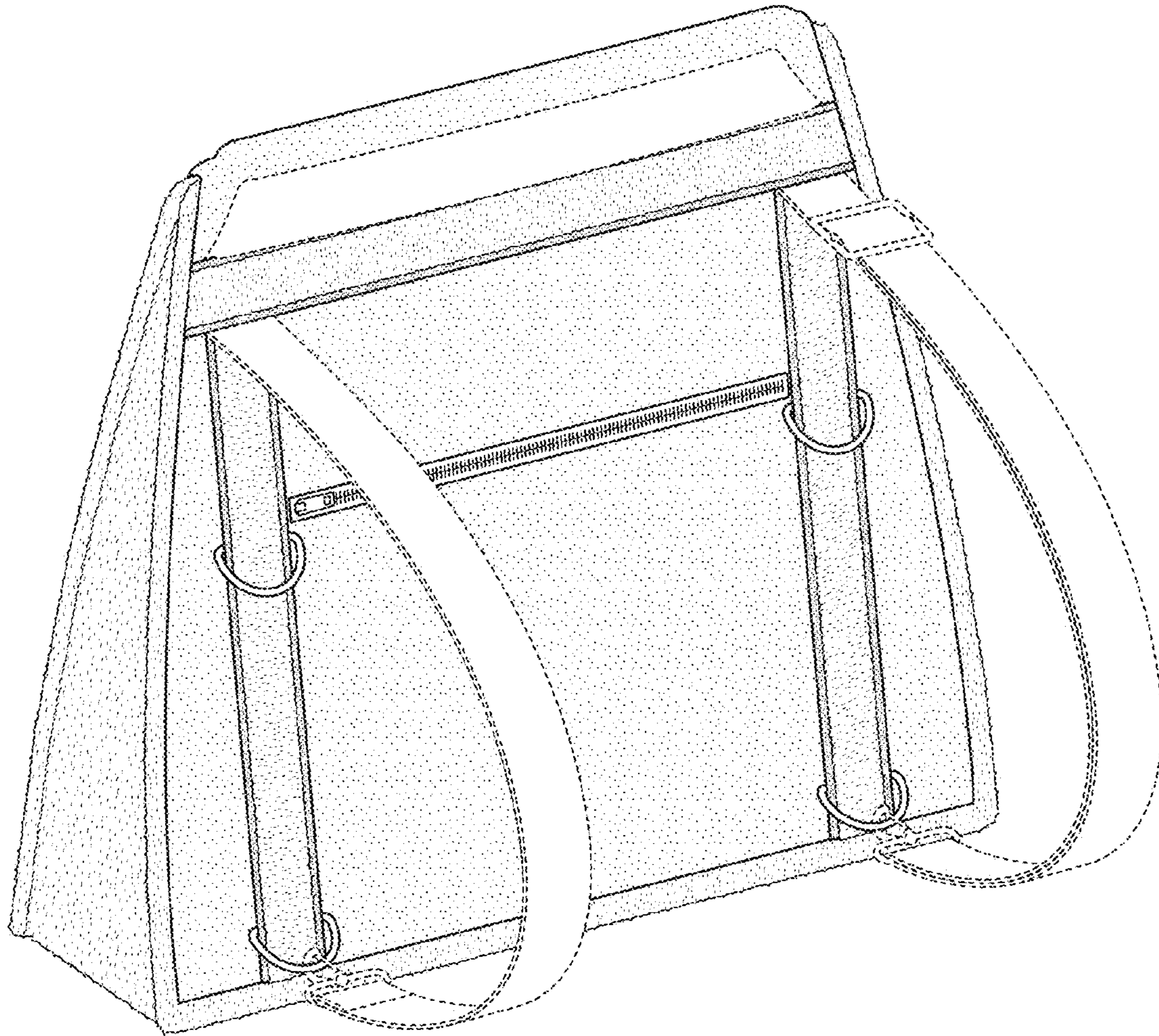


FIG. 10

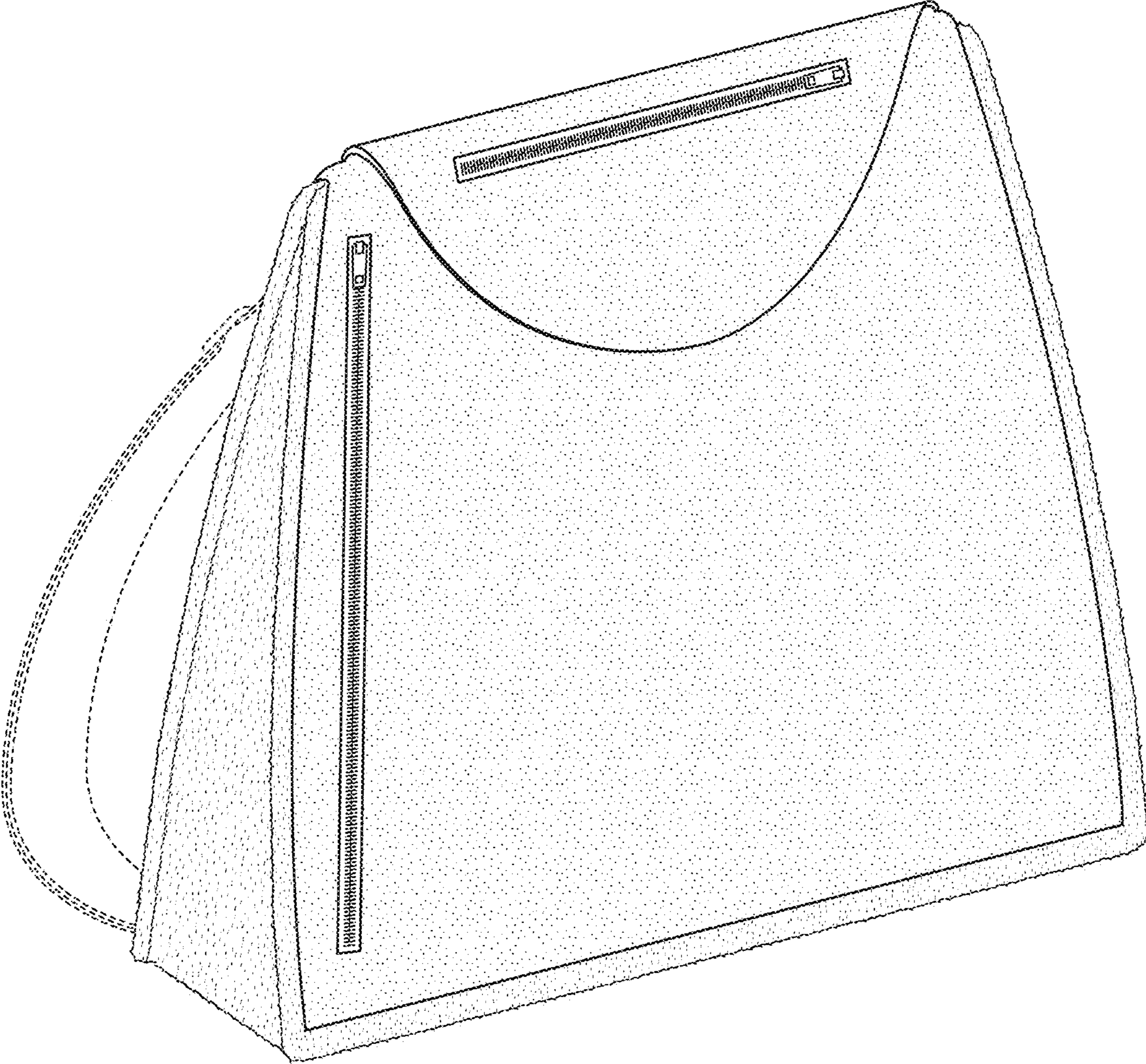


FIG. 11

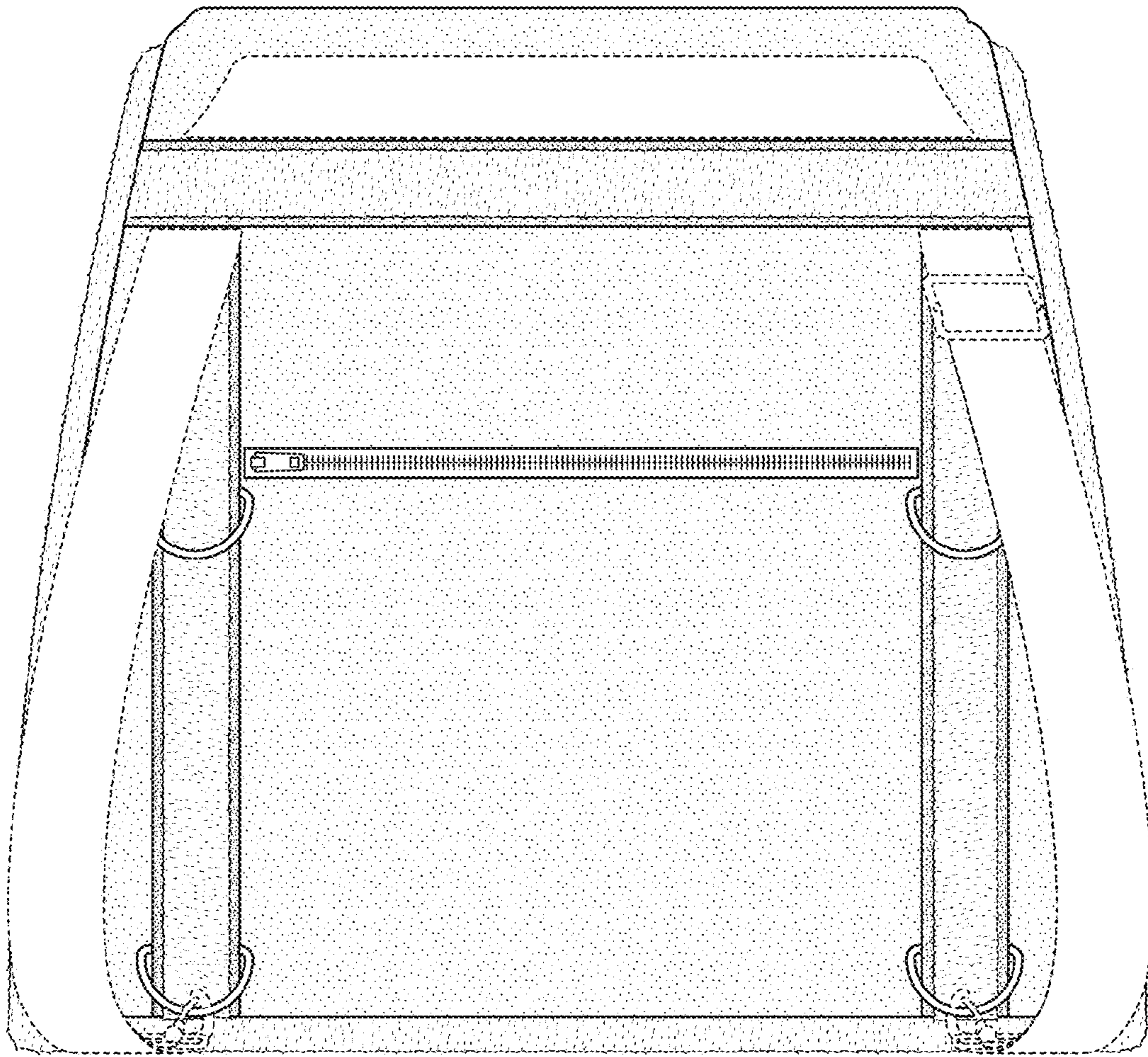


FIG. 12

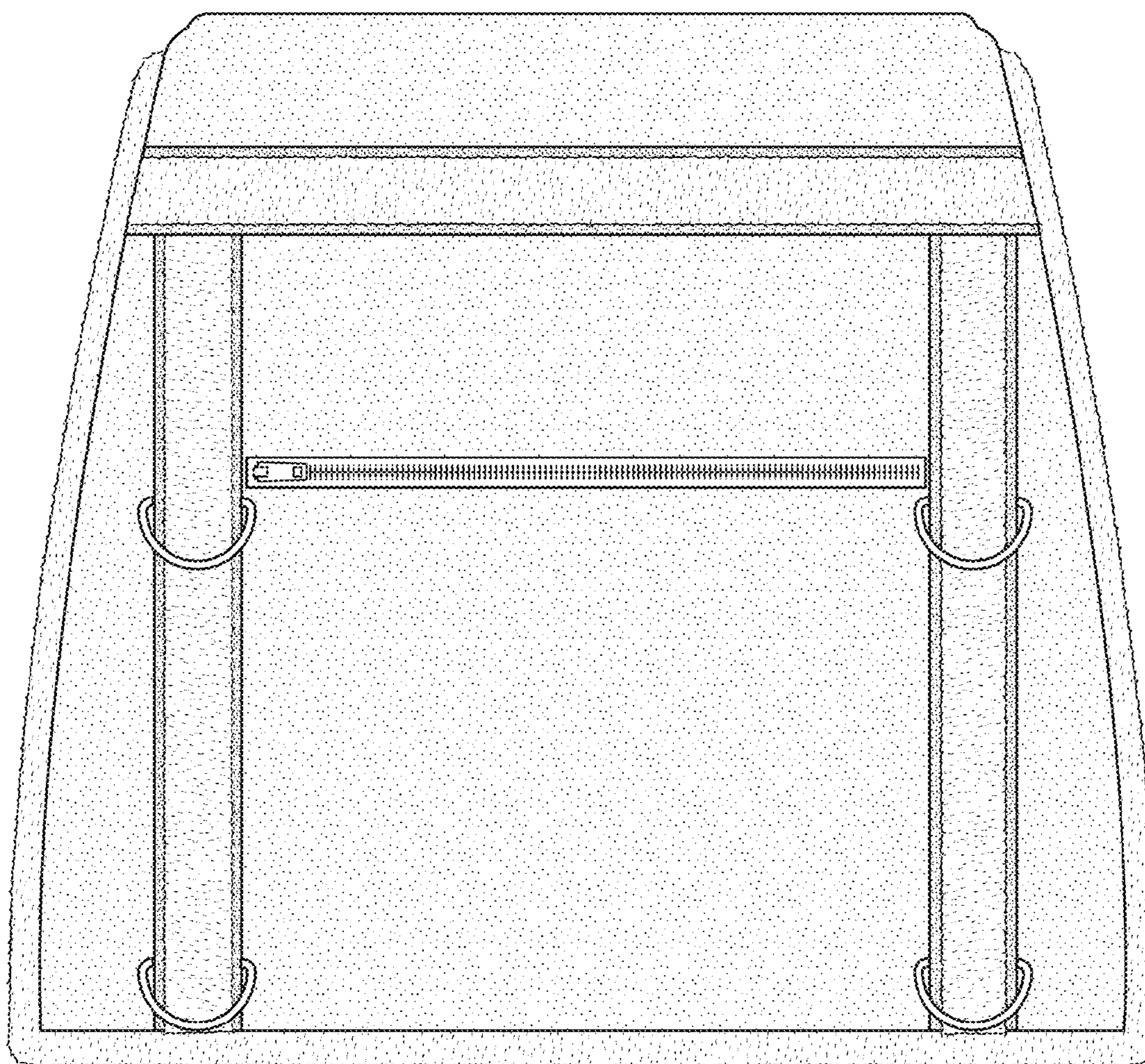


FIG. 13

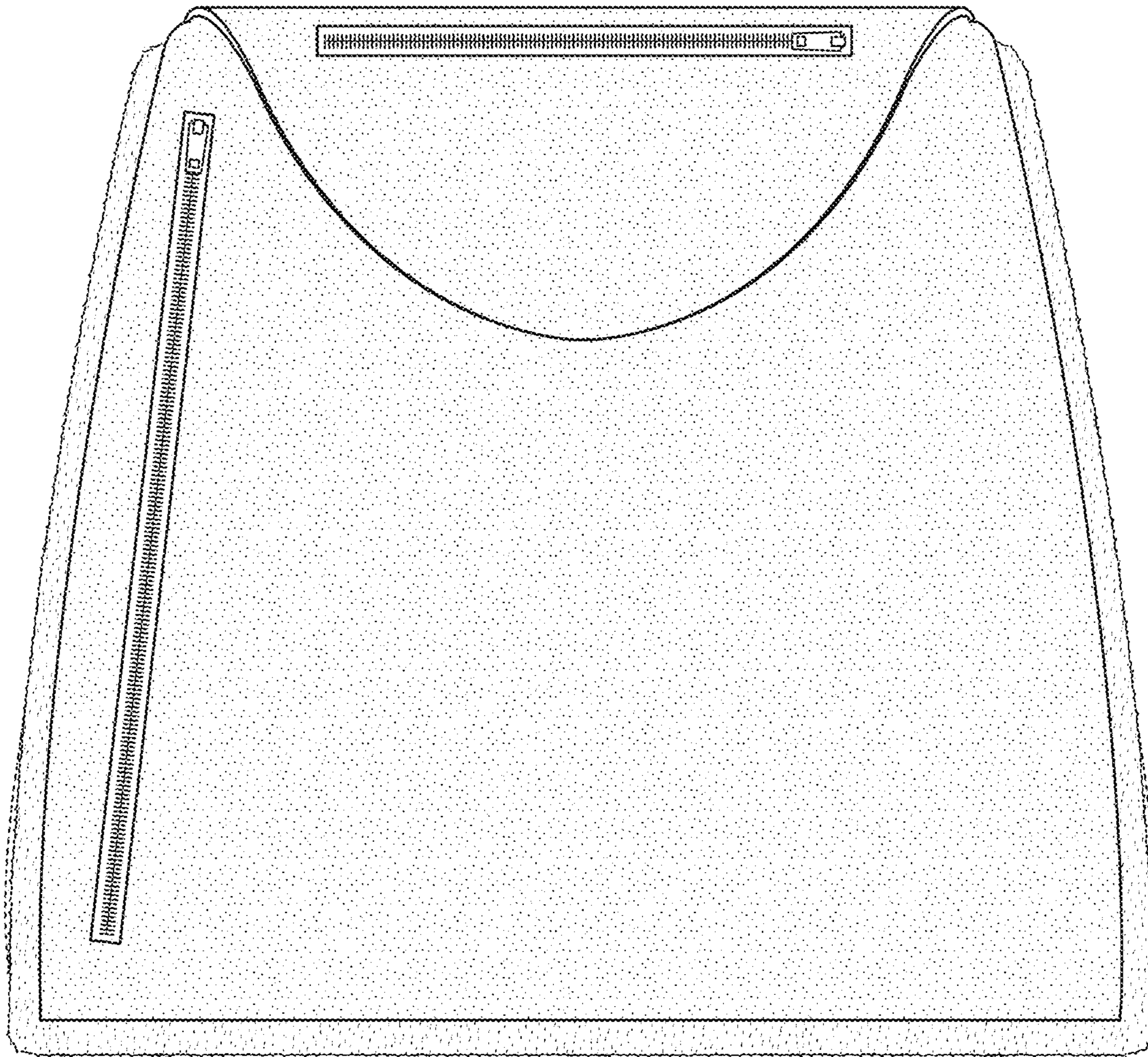


FIG. 14

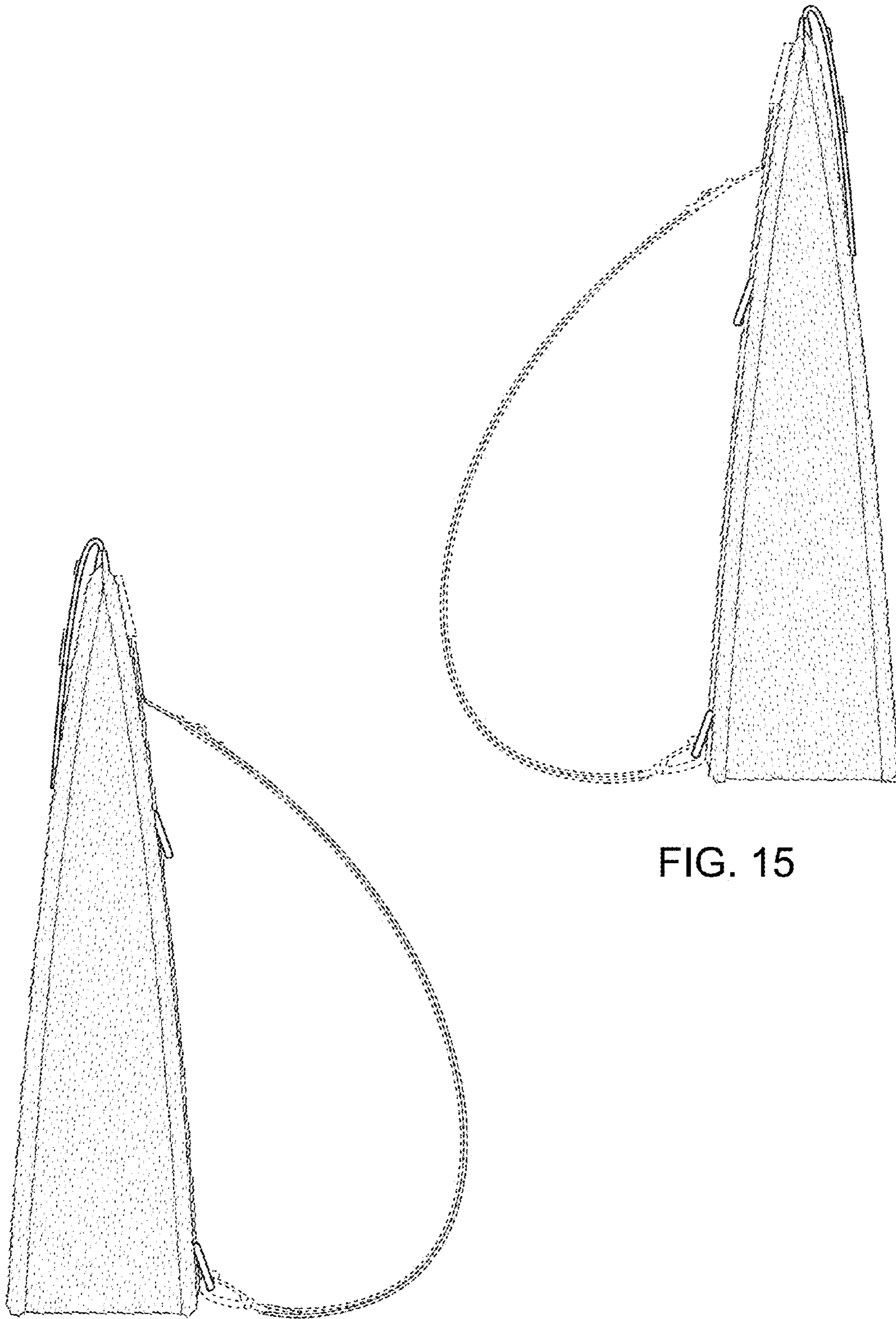


FIG. 15

FIG. 16

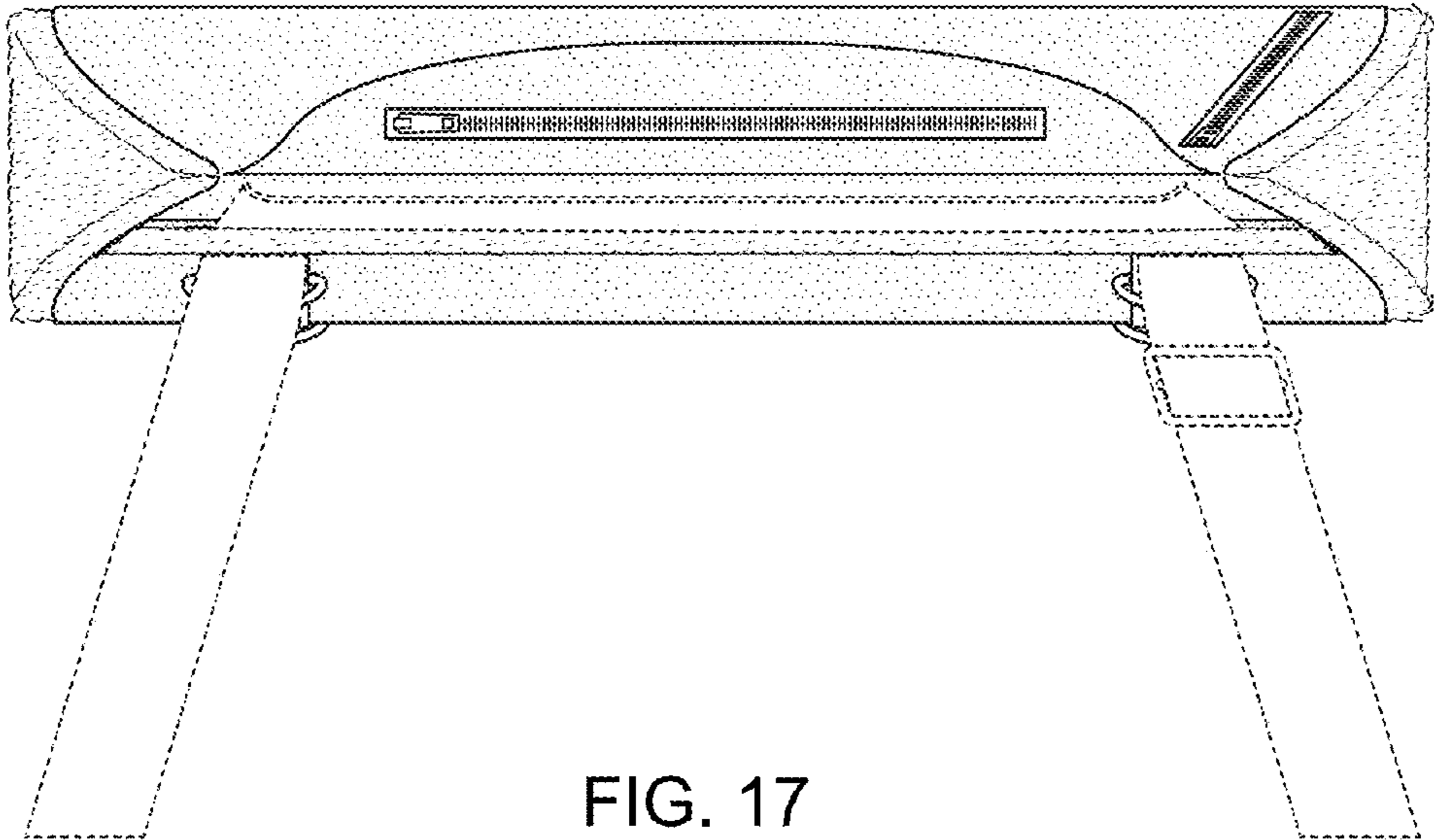


FIG. 17

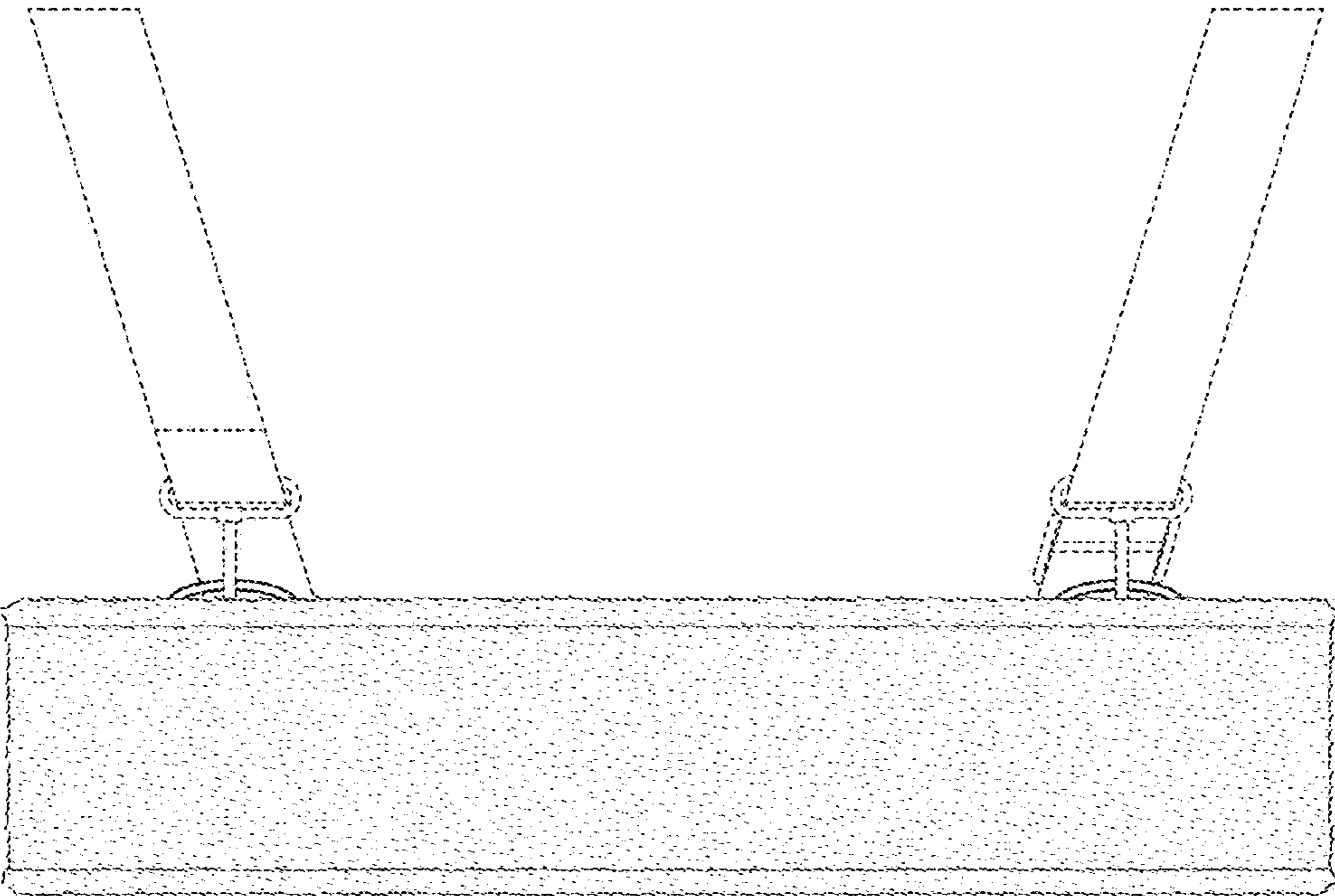


FIG. 18