



US00D687617S

(12) **United States Design Patent**  
**LaCour-Phillippi**

(10) **Patent No.:** **US D687,617 S**

(45) **Date of Patent:** **\*\* Aug. 13, 2013**

(54) **TIGHT FITTING SANITARY ABSORBENT UNDER SHORTS**

4,813,950 A 3/1989 Branch  
4,938,753 A 7/1990 Van Gompel et al.  
5,037,416 A 8/1991 Allen et al.  
5,163,932 A 11/1992 Nomura et al.  
5,390,376 A \* 2/1995 Marx et al. .... 2/406

(71) Applicant: **Anita LaCour-Phillippi**, Eden Prairie, MN (US)

(Continued)

(72) Inventor: **Anita LaCour-Phillippi**, Eden Prairie, MN (US)

*Primary Examiner* — Karen E Eldridge Powers

(\*\*) Term: **14 Years**

(74) *Attorney, Agent, or Firm* — Antonio Papageorgiou; Ostrow Kaufman LLP

(21) Appl. No.: **29/444,177**

(57) **CLAIM**

(22) Filed: **Jan. 28, 2013**

The ornamental design for tight fitting sanitary absorbent under shorts, as shown and described.

**Related U.S. Application Data**

**DESCRIPTION**

(62) Division of application No. 29/416,194, filed on Mar. 20, 2012.

(51) **LOC (9) Cl.** ..... **02-01**

(52) **U.S. Cl.**  
USPC ..... **D2/712**

(58) **Field of Classification Search**  
USPC ..... D2/700, 701, 702, 703, 704, 705, D2/711, 712, 713, 714, 731, 738, 742; D24/200, D24/226; 2/46, 67, 69, 78.1, 78.2, 78.3, 78.4, 2/227, 228, 238, 400, 401, 402, 403, 404, 2/405; 66/177; 450/94, 99, 100, 101, 102, 450/103, 104, 114, 115, 116; 600/38, 41; 602/67; 604/358, 366, 385.01, 385.13, 396  
See application file for complete search history.

FIG. 1 is a perspective view of one side and the front of a first embodiment of the tight fitting sanitary absorbent under shorts with front and back straight stitching, clothing the male form, according to one embodiment of my new design;

FIG. 2 is a front elevation view thereof;

FIG. 3 is a right side elevation view thereof;

FIG. 4 is a left side elevation view thereof;

FIG. 5 is a back elevation view thereof;

FIG. 6 is a top plan view thereof; and

FIG. 7 is a bottom plan view thereof.

FIG. 8 is a perspective view of one side and the front of a second embodiment of the tight fitting sanitary absorbent under shorts with front and back straight stitching, clothing the male form, according to one embodiment of my new design;

FIG. 9 is a front elevation view thereof;

FIG. 10 is a right side elevation view thereof;

FIG. 11 is a left side elevation view thereof;

FIG. 12 is a back elevation view thereof;

FIG. 13 is a top plan view thereof; and,

FIG. 14 is a bottom plan view thereof.

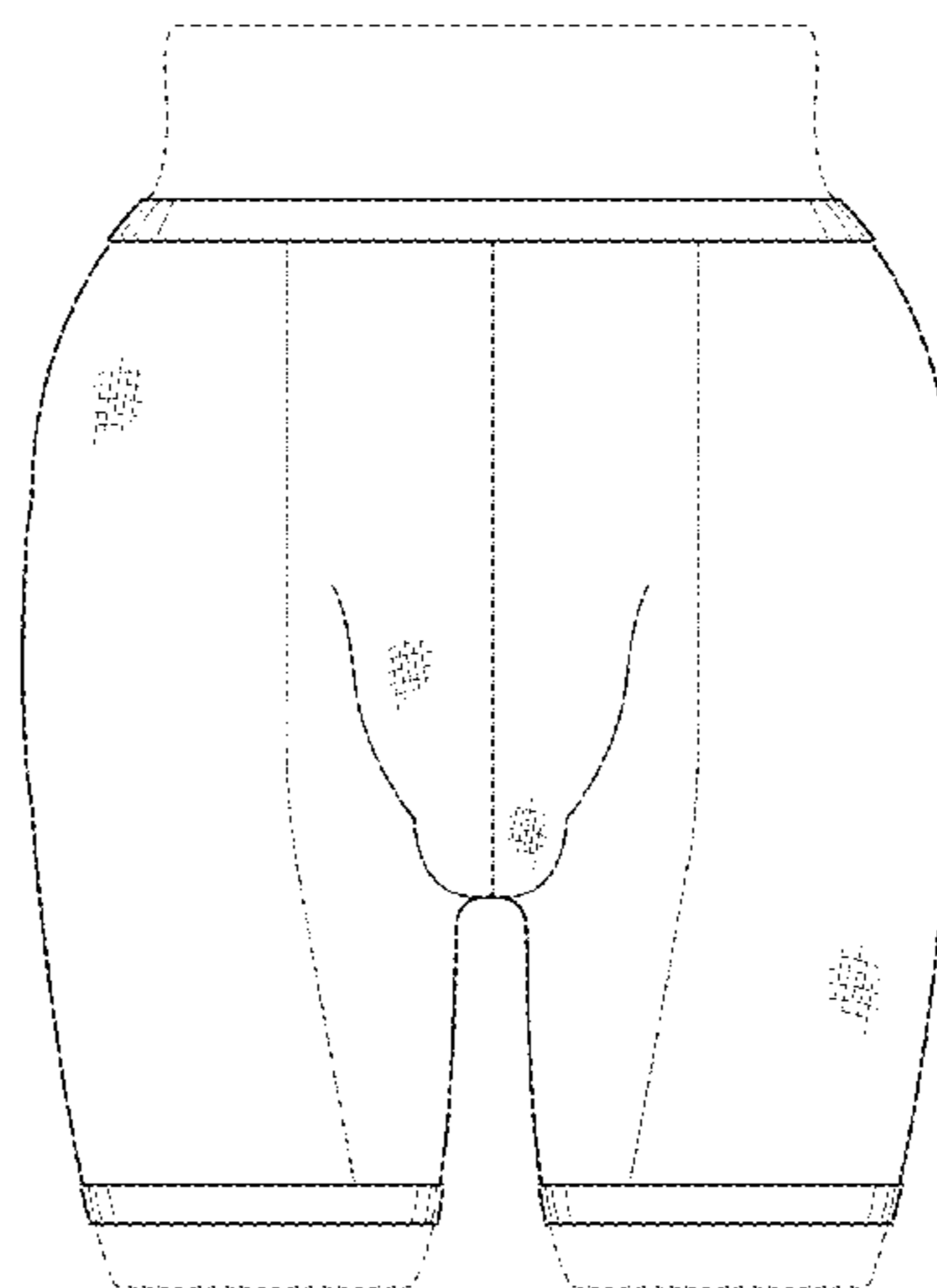
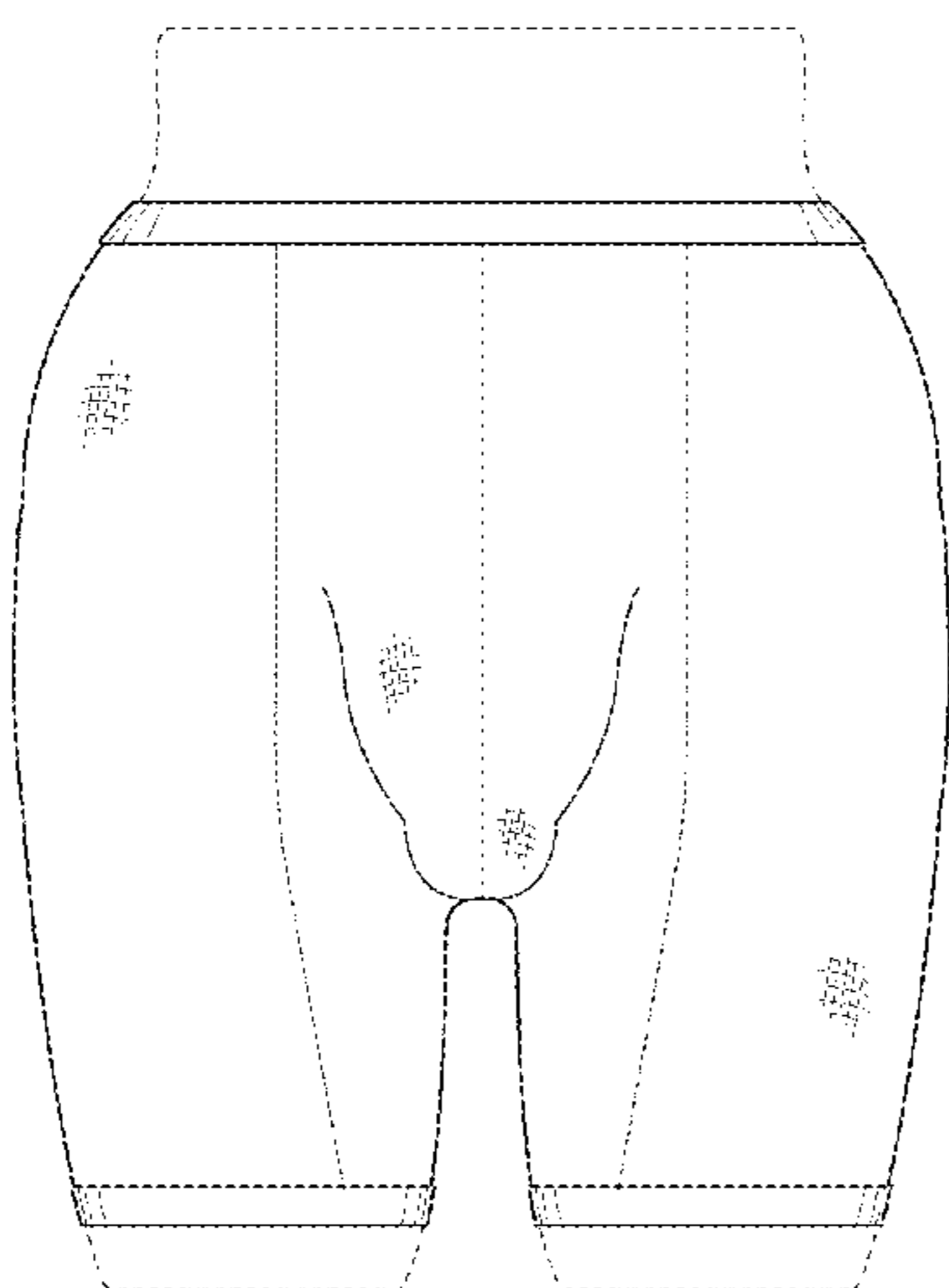
The dashed lines on the surface of the tight fitting sanitary absorbent under shorts represent stitching. The stitching is part of the claimed design.

(56) **References Cited**

**U.S. PATENT DOCUMENTS**

387,159 A \* 7/1888 Grossmann ..... 604/395  
1,481,899 A \* 1/1924 Hamblin ..... 2/78.1  
1,995,531 A \* 3/1935 Bachelis ..... 2/67  
D211,232 S \* 6/1968 Tenusiak ..... D2/704  
D213,667 S \* 4/1969 Salisky ..... D2/704  
3,768,481 A 10/1973 Shibata  
3,824,812 A \* 7/1974 Matthews et al. .... 66/177  
4,641,381 A 2/1987 Heran et al.  
4,745,636 A 5/1988 Lunt

**1 Claim, 14 Drawing Sheets**



# US D687,617 S

Page 2

## U.S. PATENT DOCUMENTS

5,440,764	A	8/1995	Matsushita				
D395,735	S *	7/1998	Paramore .....	D2/711			
5,827,261	A	10/1998	Osborn, III et al.				
5,944,708	A	8/1999	Philpott				
D419,233	S *	1/2000	Brodie .....	D24/105			
6,049,916	A	4/2000	Rajala et al.				
6,240,569	B1	6/2001	Van Gompel et al.				
6,270,469	B1 *	8/2001	Mott .....	602/61			
6,287,169	B1	9/2001	Willms et al.				
6,367,089	B2	4/2002	Van Gompel et al.				
6,613,034	B2	9/2003	Nozaki et al.				
6,807,685	B1	10/2004	Hasegawa et al.				
6,848,121	B1 *	2/2005	Halid .....	2/400			
7,150,731	B2	12/2006	Cazzato et al.				
7,344,524	B2	3/2008	Cazzato et al.				
7,419,562	B2	9/2008	Van Gompel et al.				
7,837,665	B2	11/2010	Van Gompel et al.				
D645,643	S *	9/2011	Taylor .....	D2/712			
D652,197	S *	1/2012	Sanchez .....	D2/712			
2001/0007935	A1	7/2001	Gompel et al.				
2004/0054340	A1	3/2004	Mitchell				
2006/0161131	A1	7/2006	Kurta et al.				
2006/0191059	A1 *	8/2006	Smith .....	2/400			
2009/0320174	A1 *	12/2009	Turner .....	2/69			
2012/0167280	A1 *	7/2012	Adams et al. ....	2/403			

\* cited by examiner

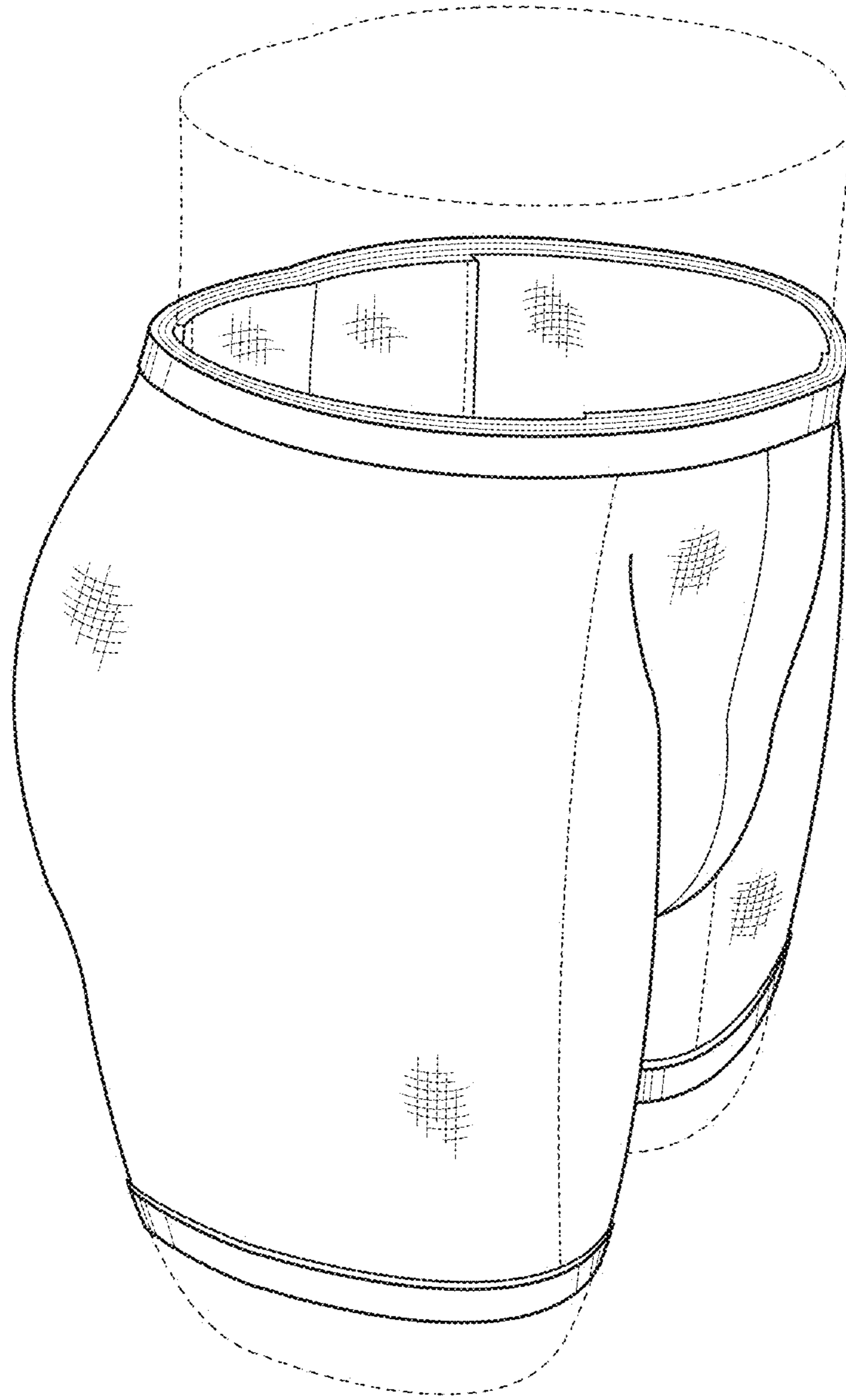
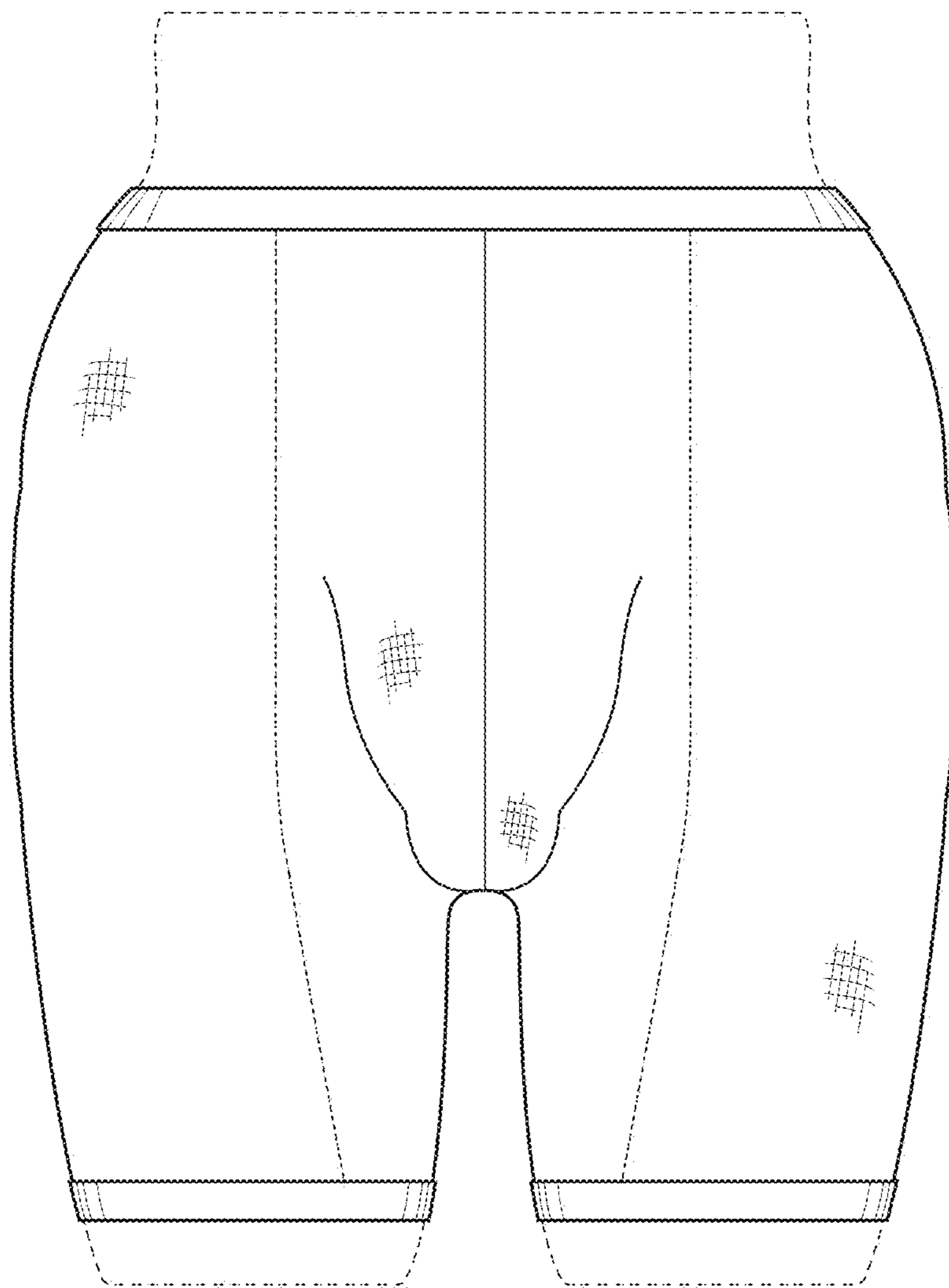
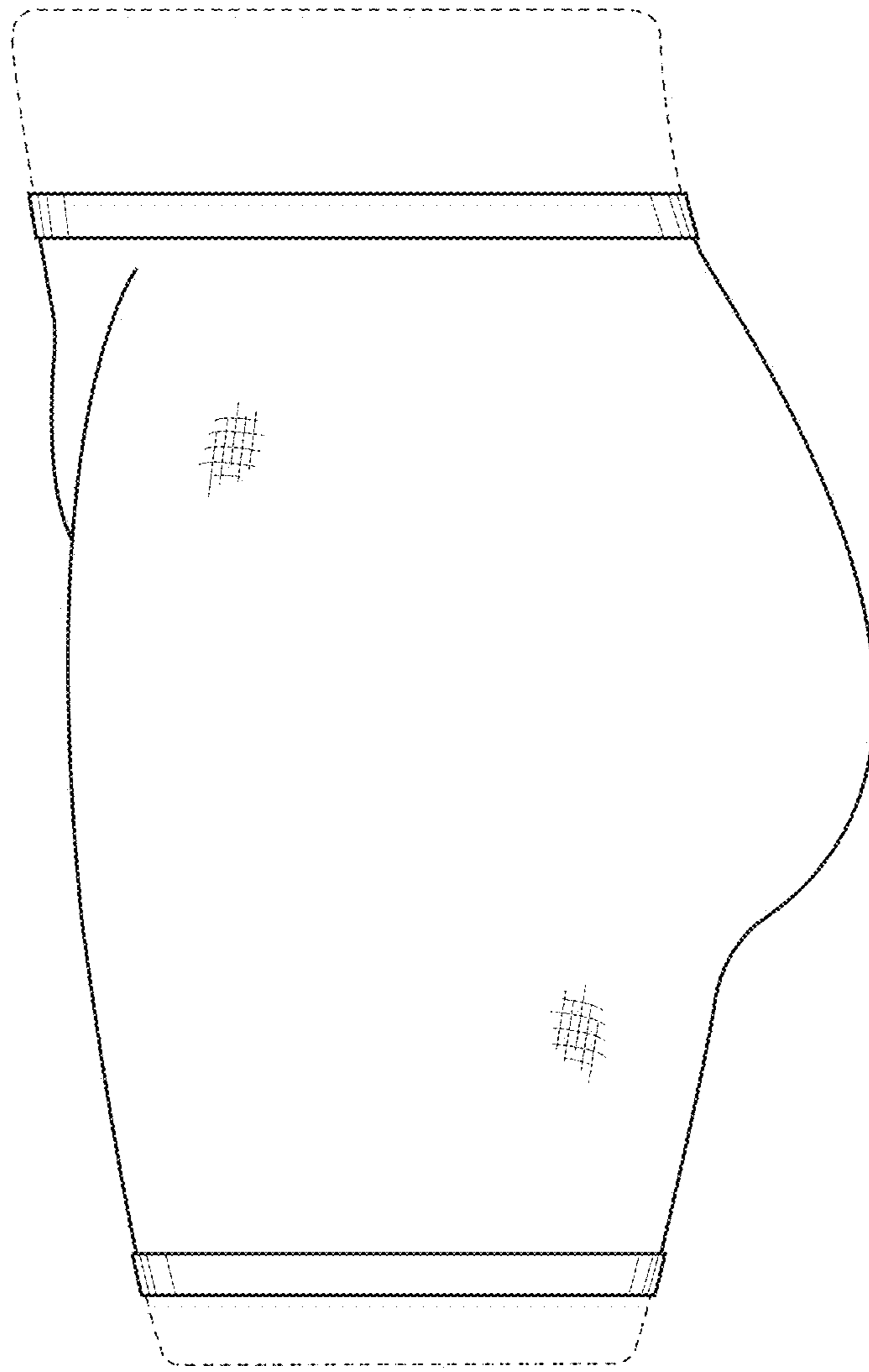


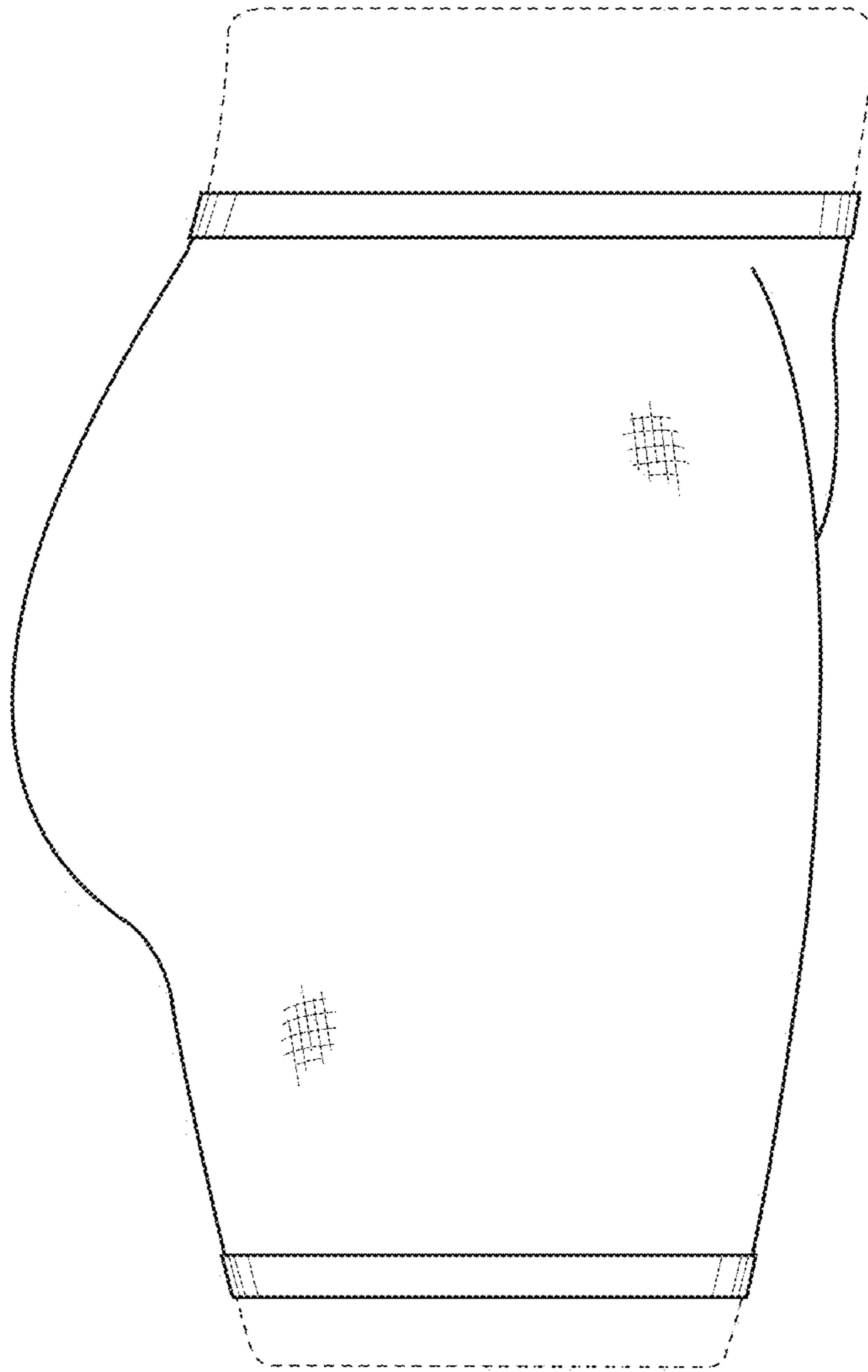
FIG. 1



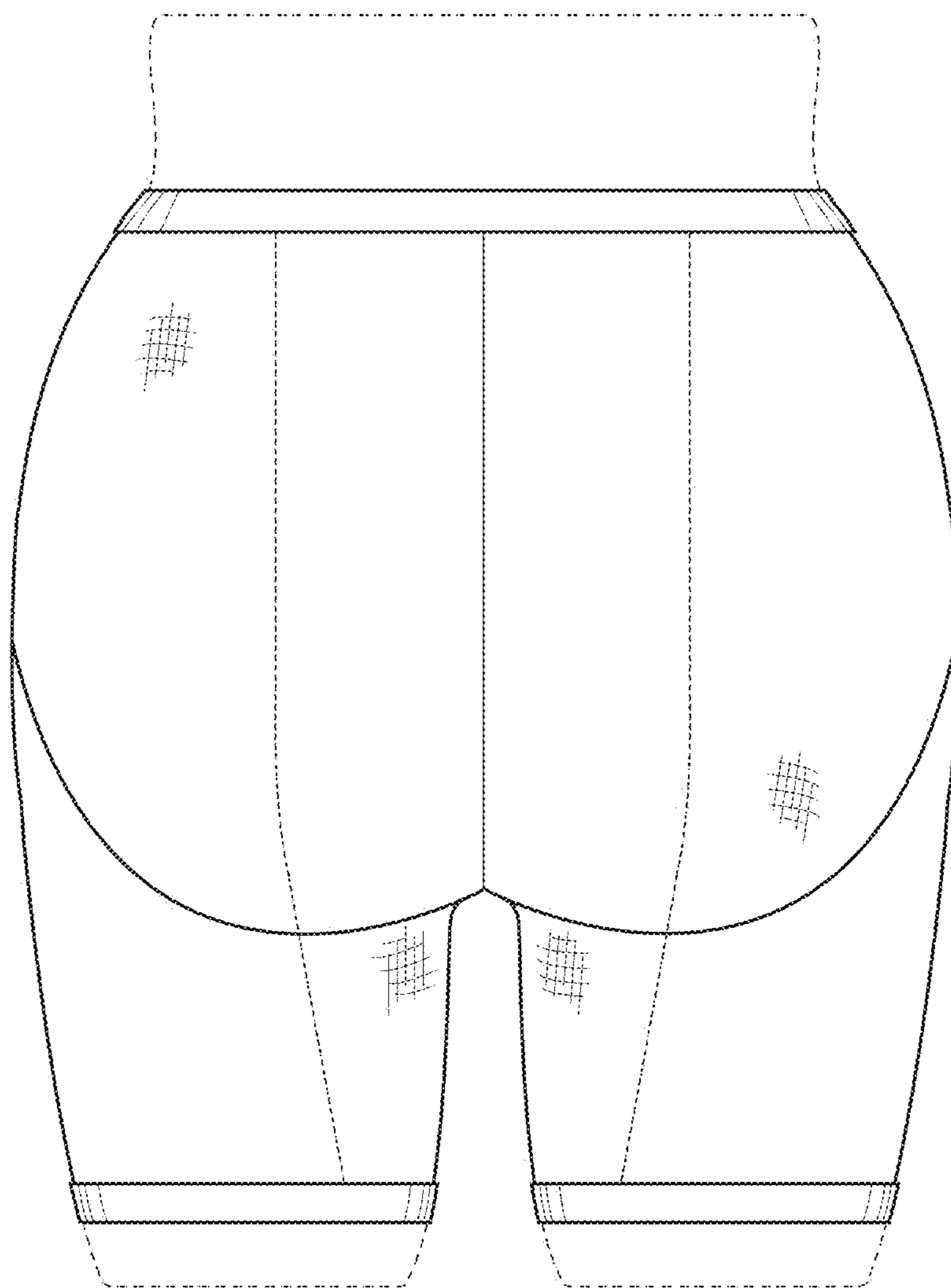
**FIG. 2**



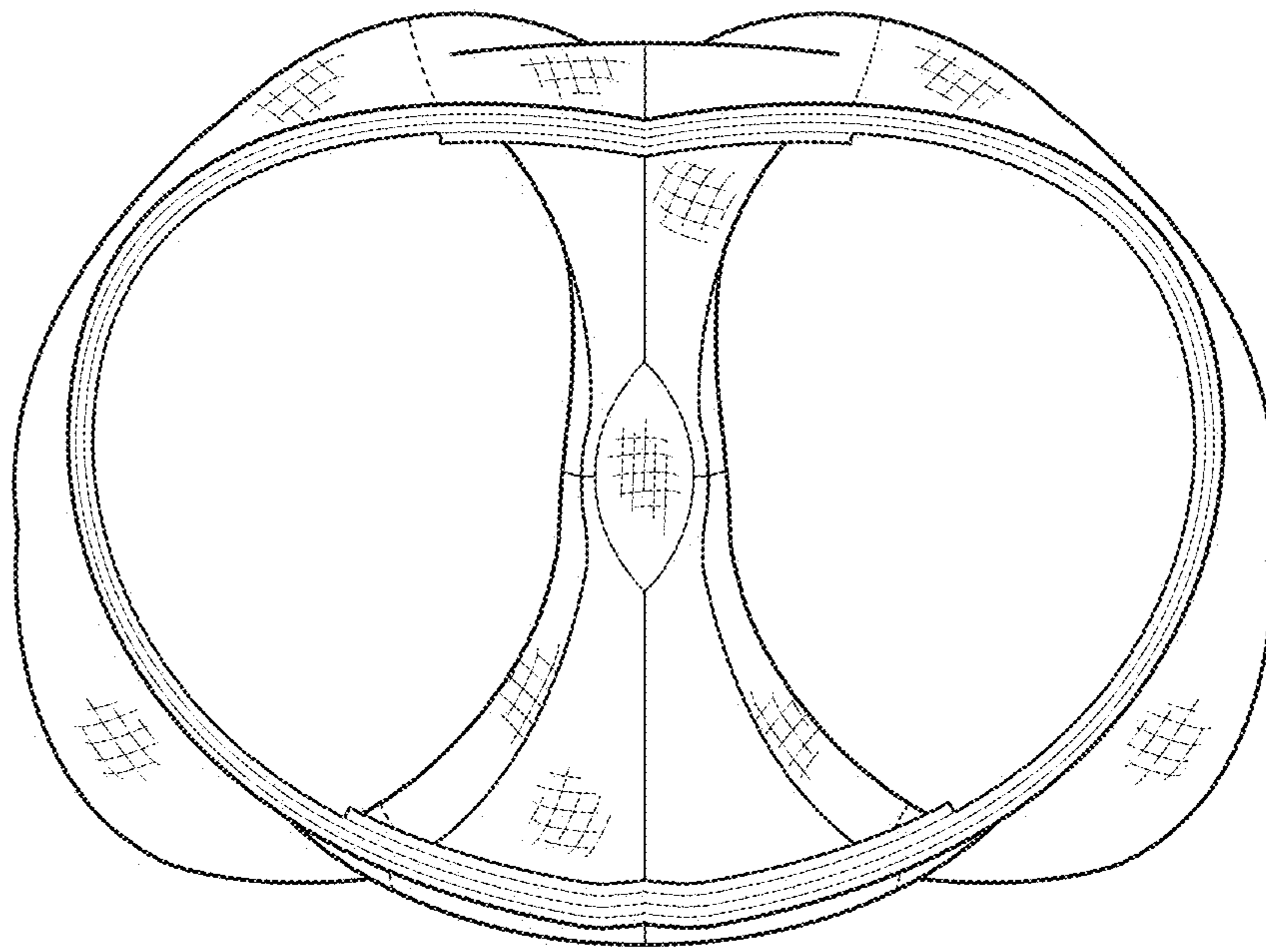
**FIG. 3**



**FIG. 4**

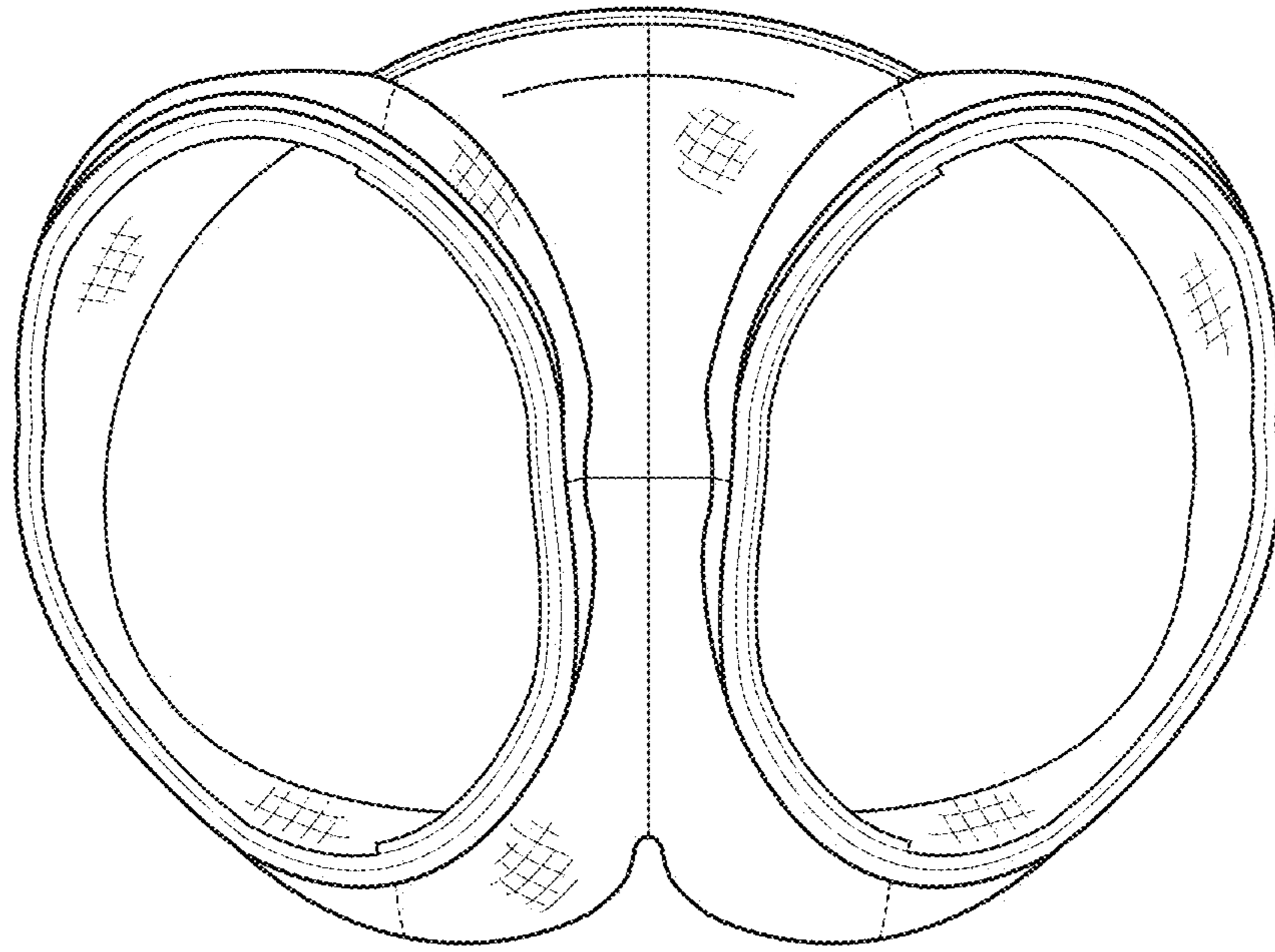


**FIG. 5**

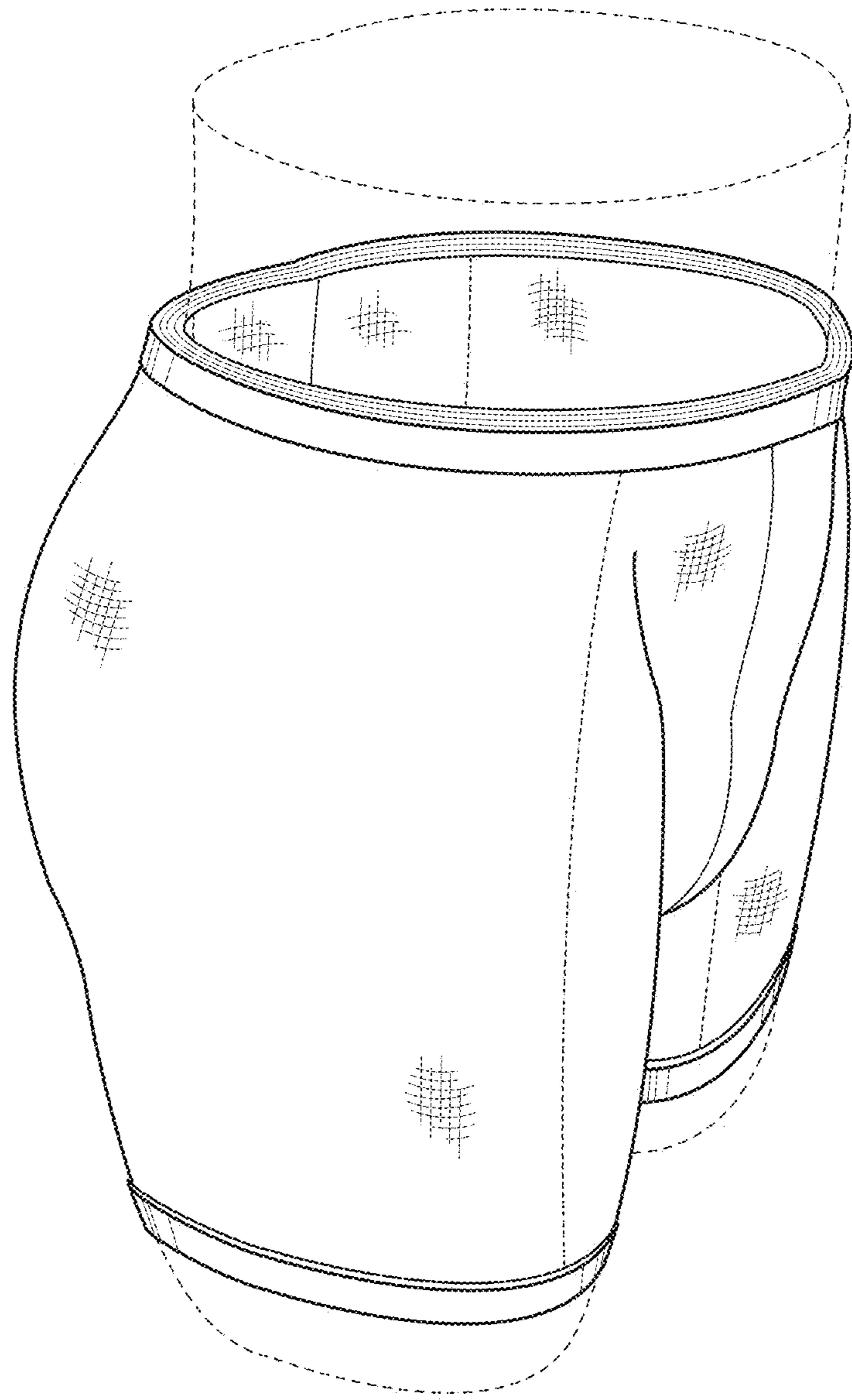


**FIG. 6**

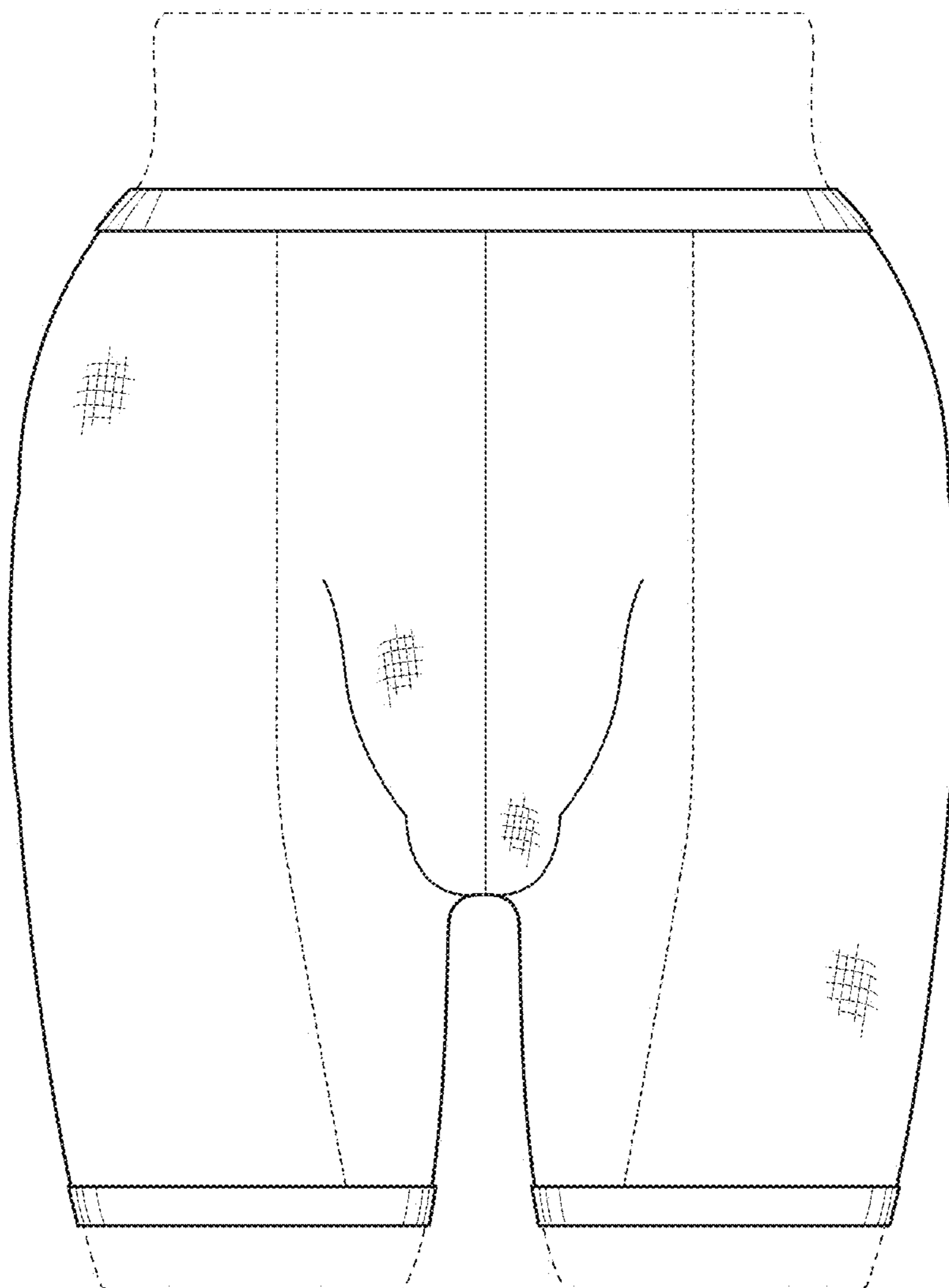




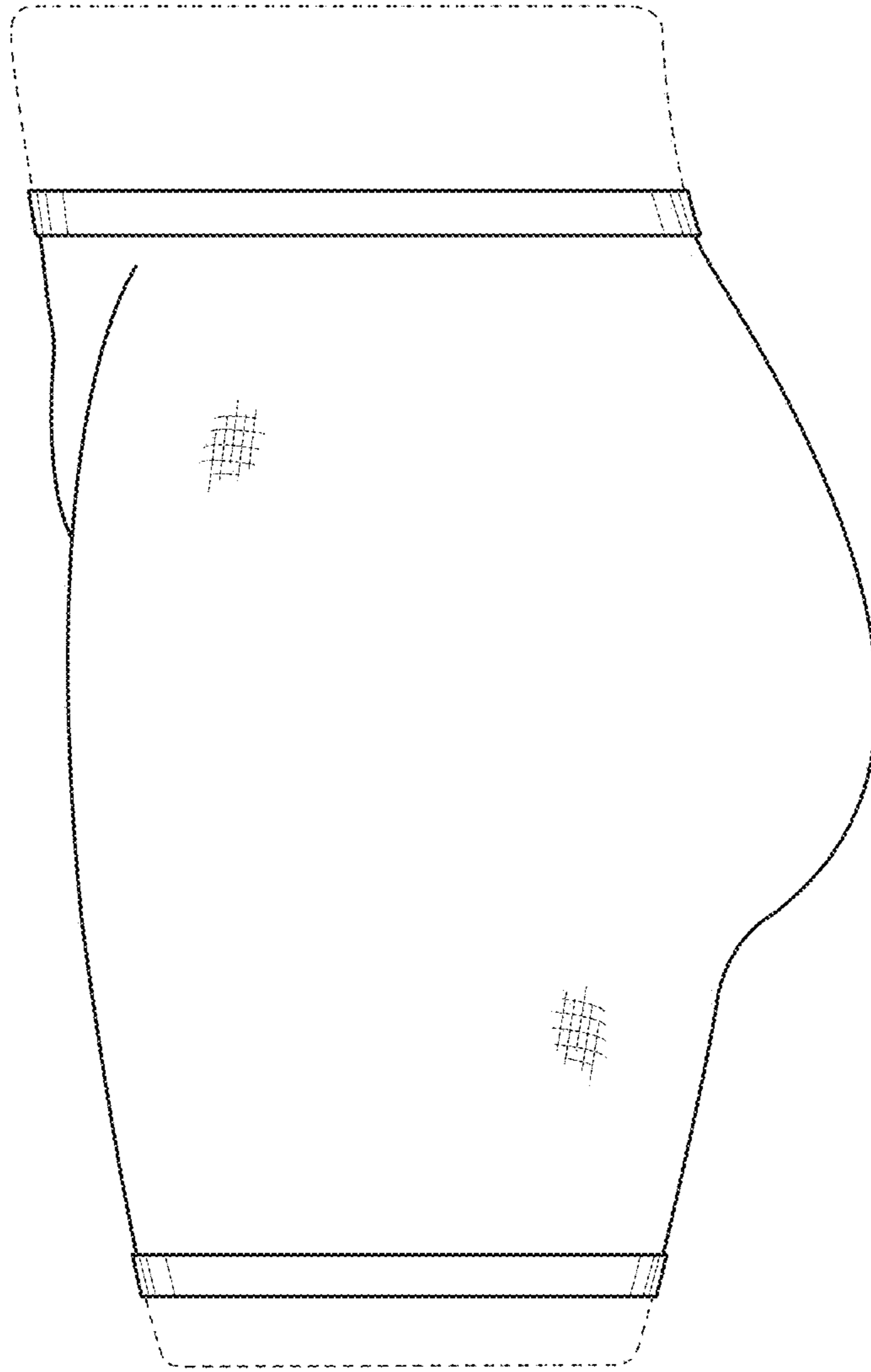
**FIG. 7**



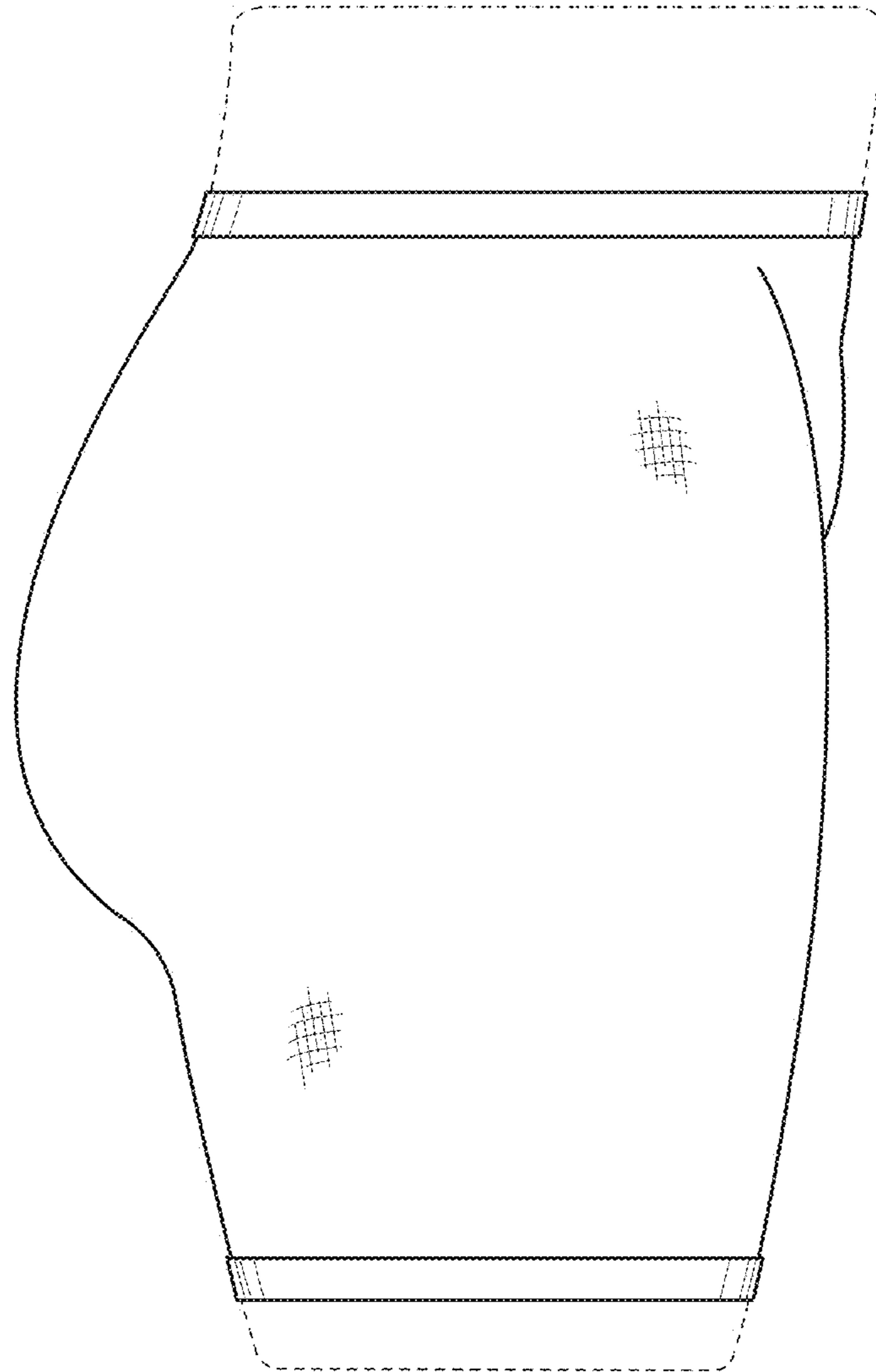
**FIG. 8**



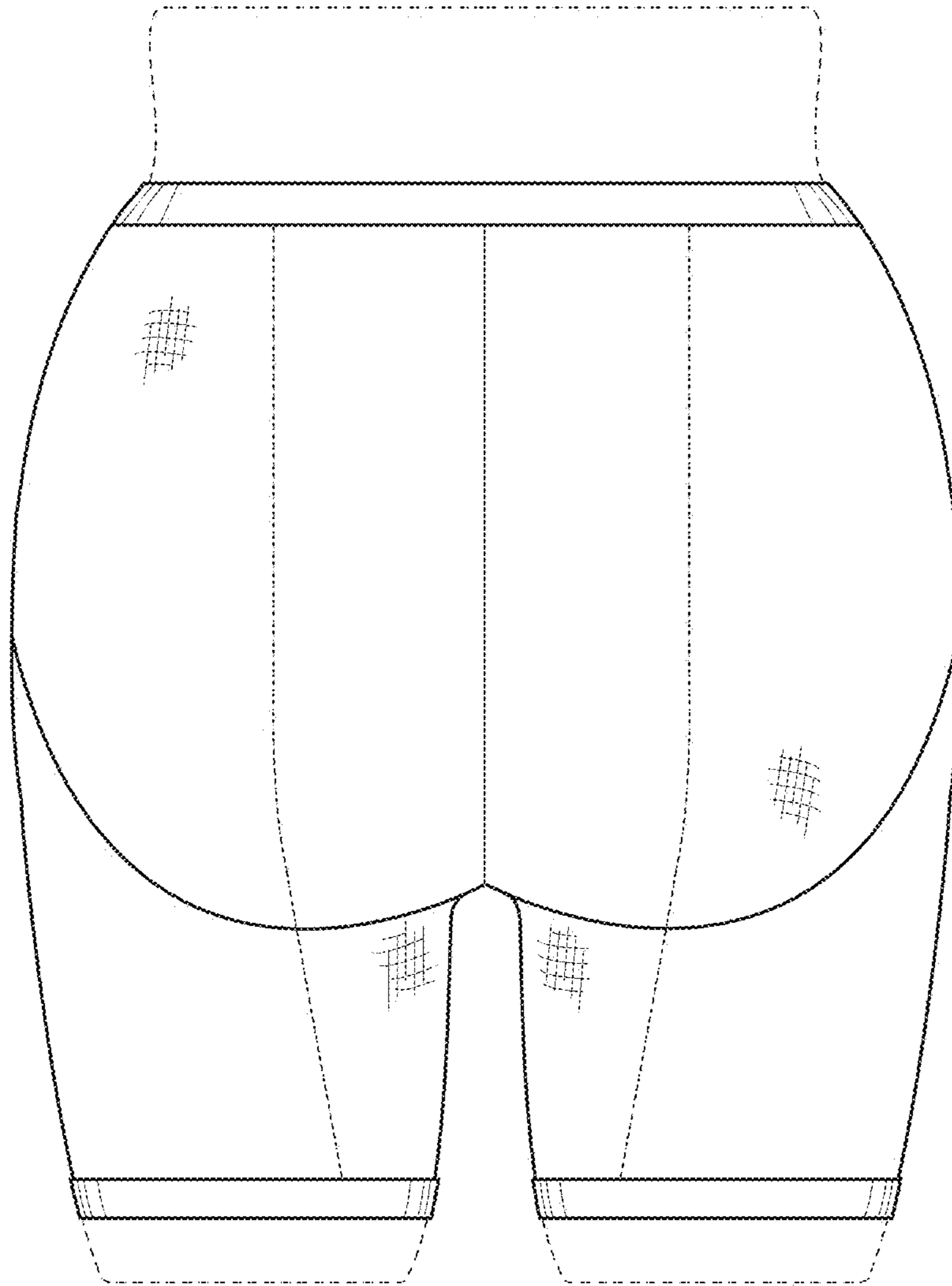
**FIG. 9**



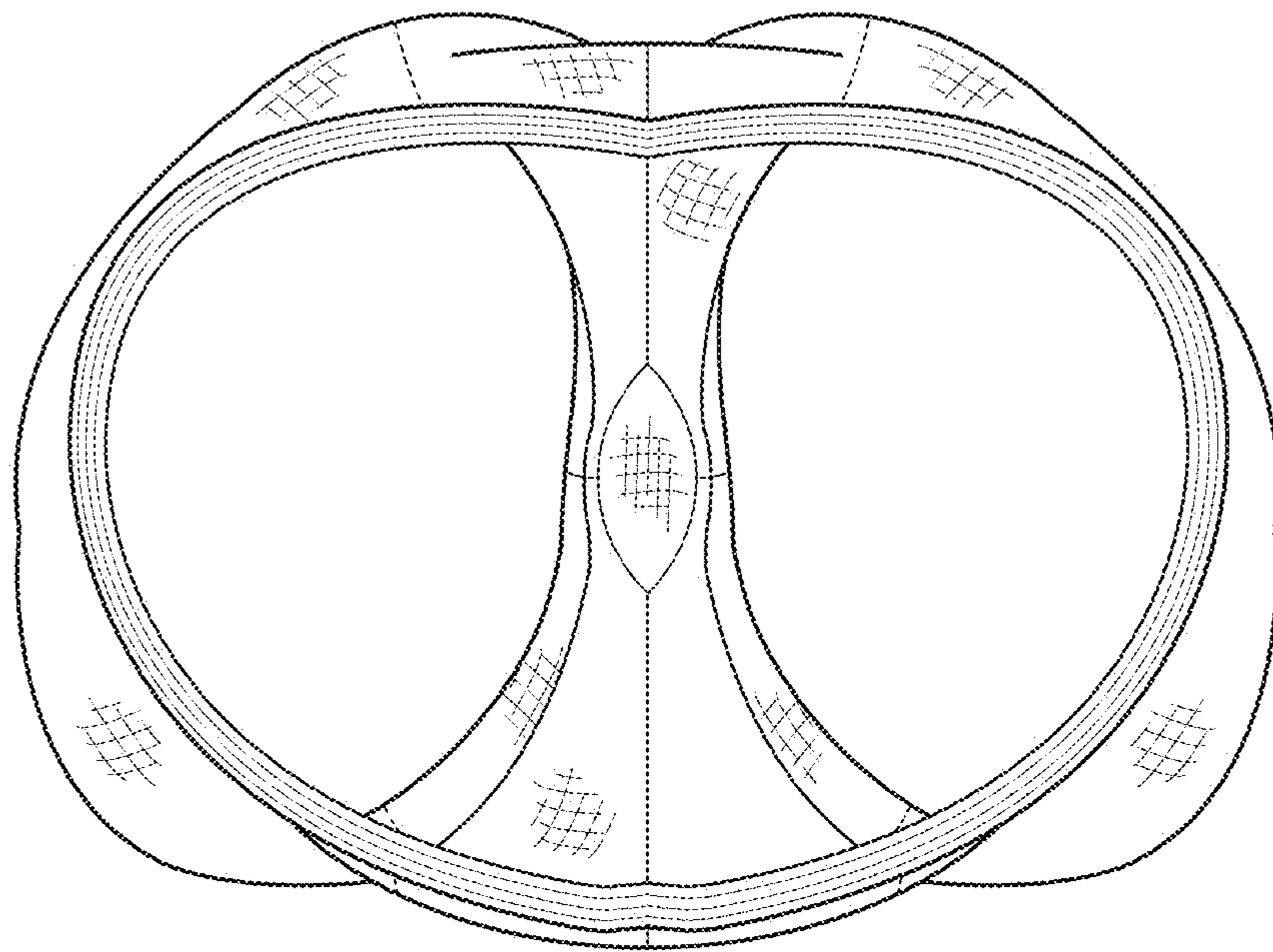
**FIG. 10**



**FIG. 11**



**FIG. 12**



**FIG. 13**

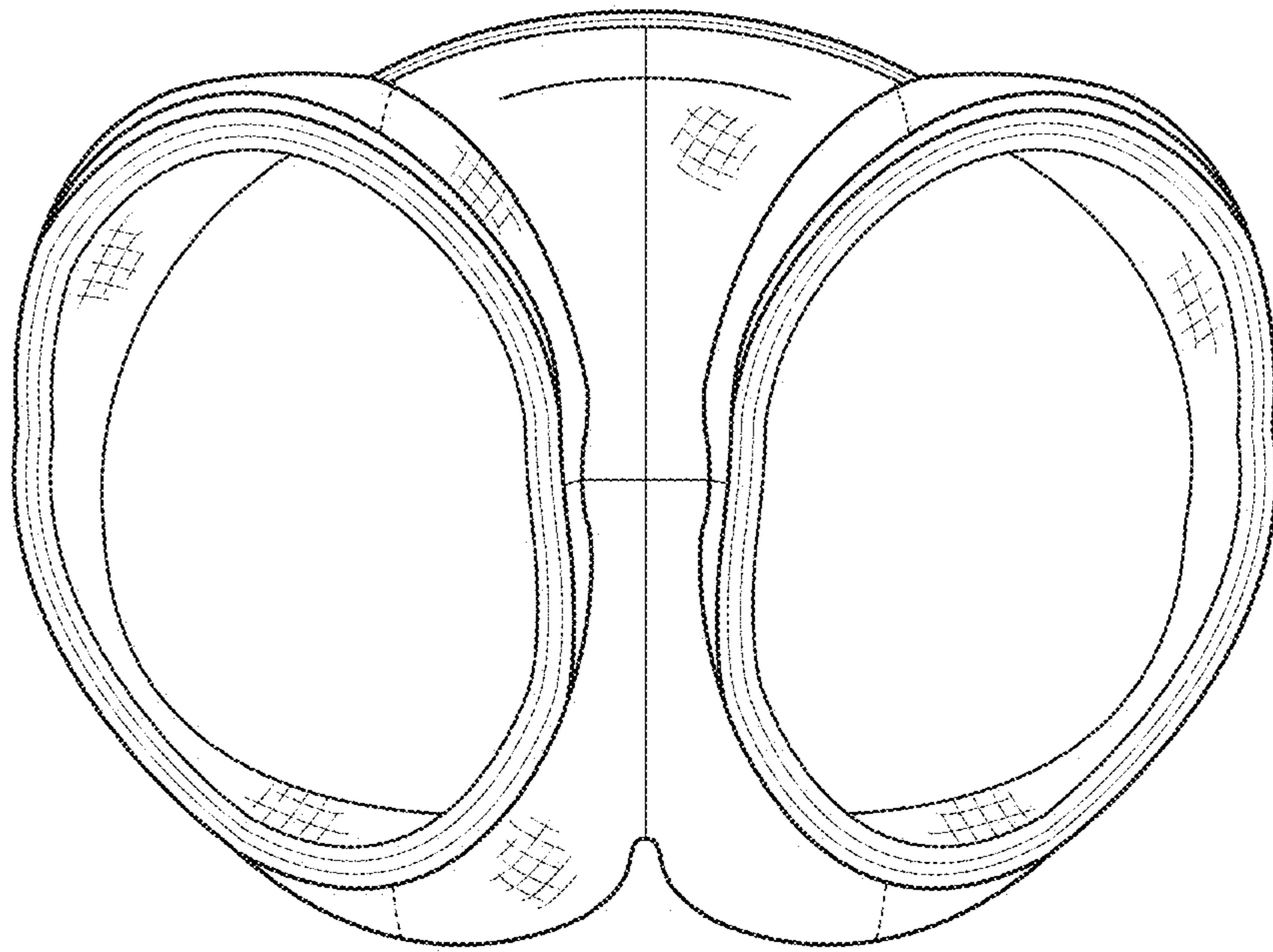


FIG. 14