



US00D687615S

(12) **United States Design Patent**
Kamm

(10) **Patent No.:** **US D687,615 S**

(45) **Date of Patent:** **** Aug. 6, 2013**

(54) **BAR ENDS FOR CAMERA DOLLY**

(75) Inventor: **Zeke L. Kamm**, Bend, OR (US)

(73) Assignee: **Nice Industries**, Bend, OR (US)

(**) Term: **14 Years**

(21) Appl. No.: **29/424,238**

(22) Filed: **Jun. 8, 2012**

(51) **LOC (9) Cl.** **12-02**

(52) **U.S. Cl.**

USPC **D34/27**

(58) **Field of Classification Search**

USPC D34/12-27; 280/47.26, 641, 43.22,
280/47.13, 457.1, 47.131, 79.11, 79.2, 79.7,
280/32.5, 32.6, 402; 62/457.1

See application file for complete search history.

(56) **References Cited**

U.S. PATENT DOCUMENTS

1,230,341	A *	6/1917	Thomas	280/107
3,802,717	A *	4/1974	Eitreim	280/79.11
D349,994	S *	8/1994	Schurr	D34/23
5,480,169	A *	1/1996	Wang	280/37
D415,868	S *	10/1999	Hewitt	D34/23
6,923,468	B1 *	8/2005	Barnett et al.	280/651
D664,734	S *	7/2012	Connelly et al.	D34/27
D665,143	S *	8/2012	Davis	D34/27

* cited by examiner

Primary Examiner — Cynthia Ramirez

(74) *Attorney, Agent, or Firm* — Loginov & Associates, PLLC; William A. Loginov

(57) **CLAIM**

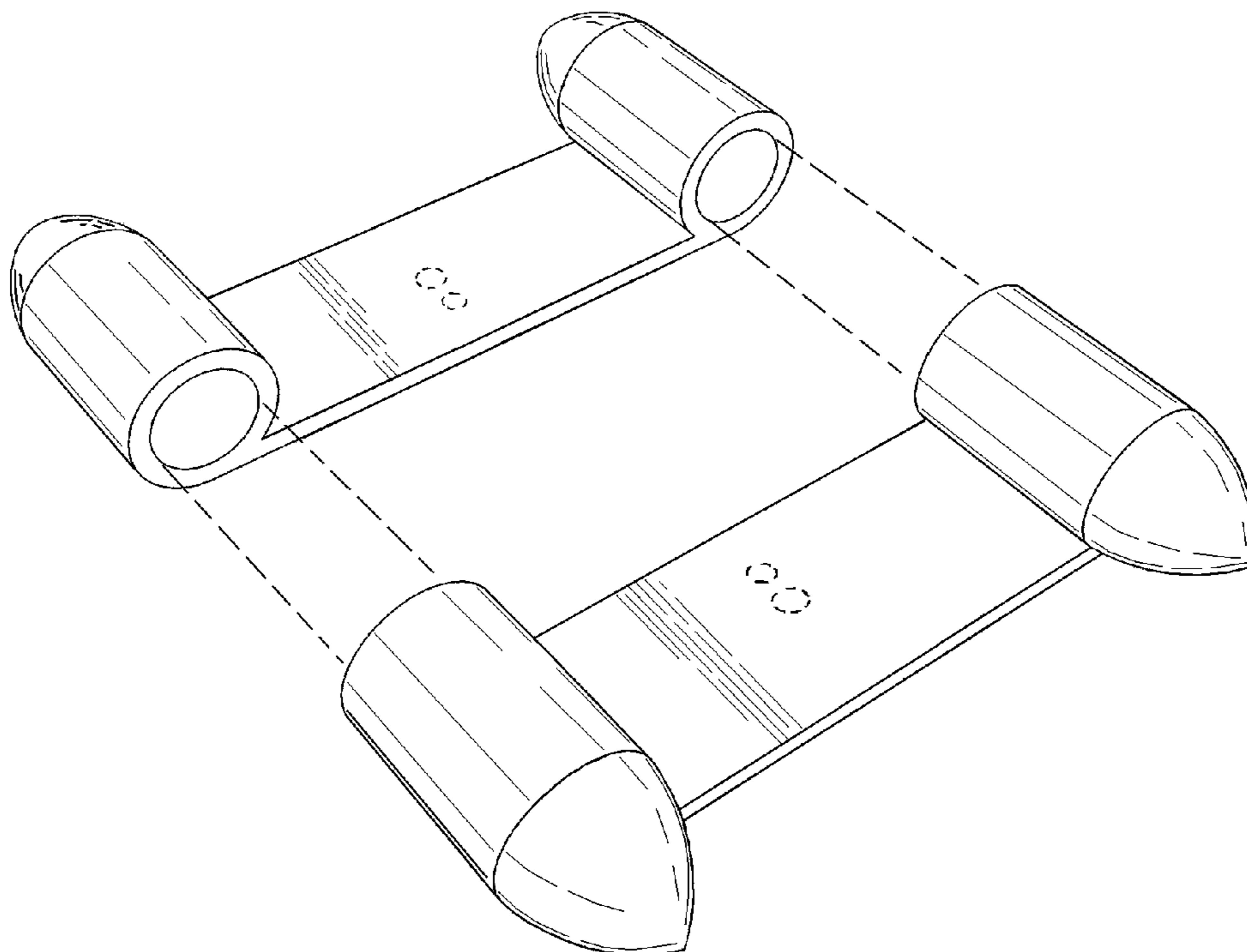
The ornamental design for bar ends for camera dolly, as shown.

DESCRIPTION

FIG. 1 is a perspective view of bar ends for camera dolly, showing our new design, according to the embodiment; FIG. 2 is a front elevation view of bar ends for camera dolly, showing our new design, according to an embodiment; FIG. 3 is a rear elevation view of bar ends for camera dolly, showing our new design, according to an embodiment; FIG. 4 is a right side elevation view of bar ends for camera dolly, showing our new design, according to an embodiment; FIG. 5 is a left side elevation view of bar ends for camera dolly, showing our new design, according to an embodiment; FIG. 6 is a top elevation view of bar ends for camera dolly, showing our new design, according to an embodiment; and, FIG. 7 is a bottom elevation view of bar ends for camera dolly, showing our new design, according to an embodiment.

The broken line elements in all views are for illustrative and environmental purposes only and form no part of the claimed design.

1 Claim, 4 Drawing Sheets



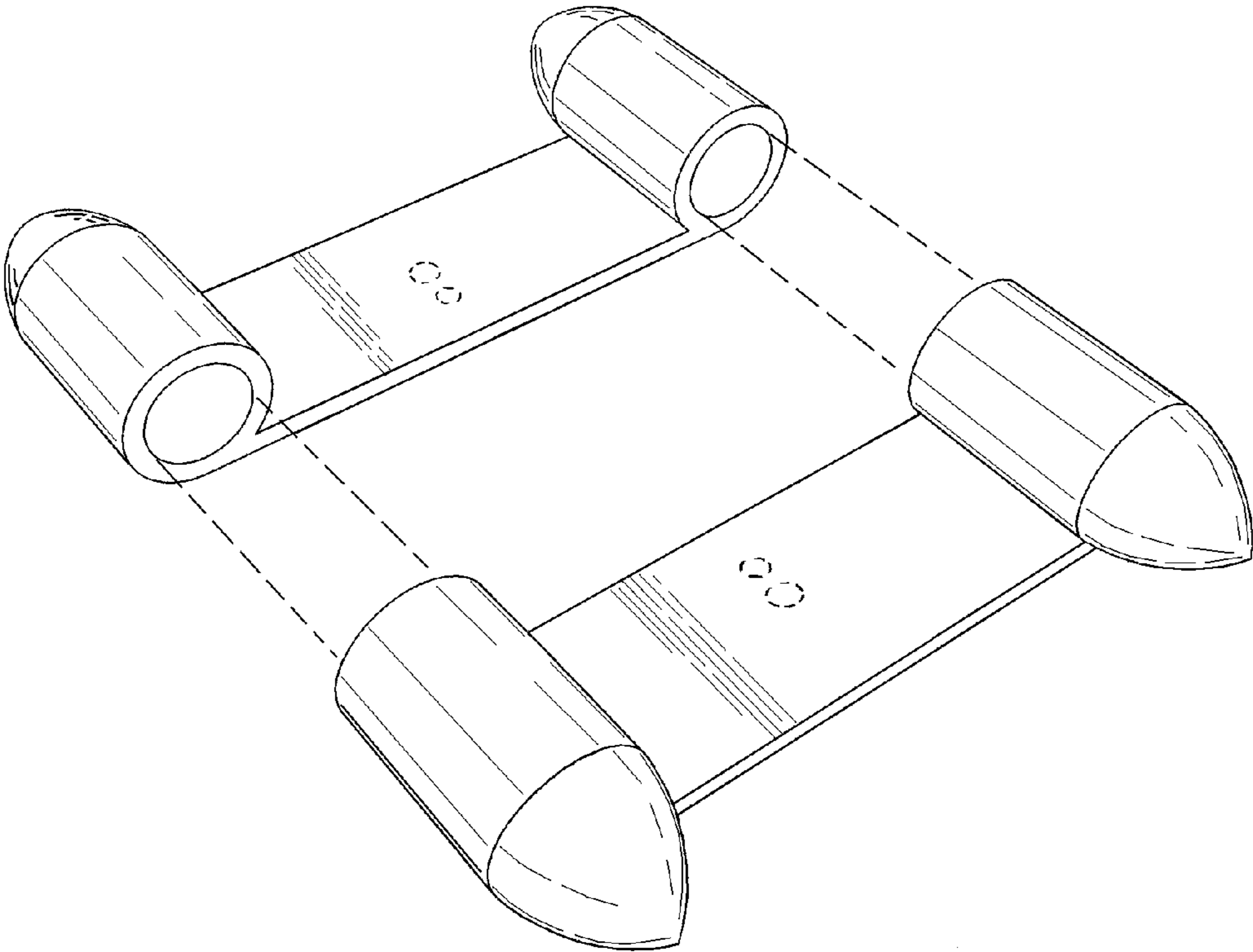


Fig. 1

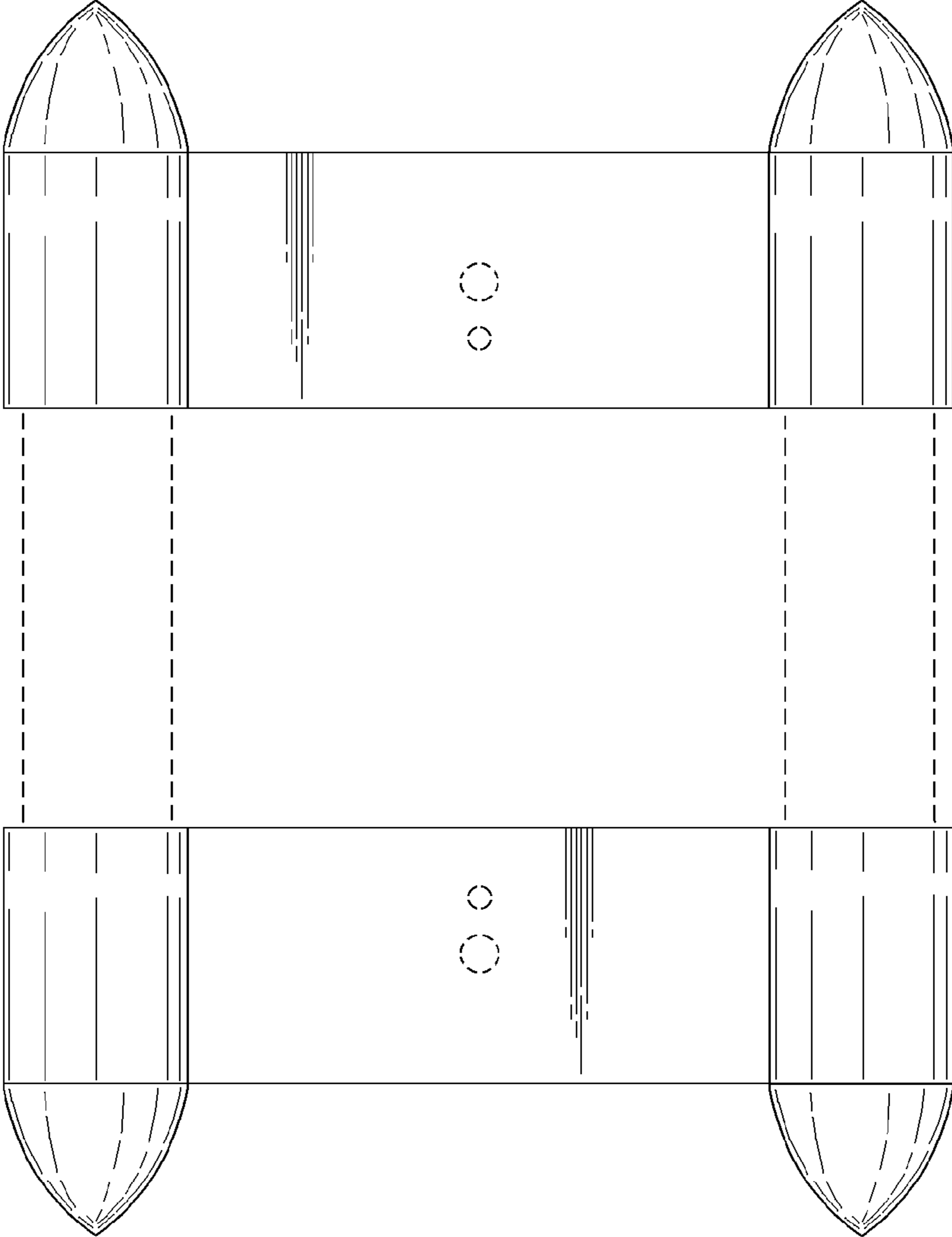


Fig. 2

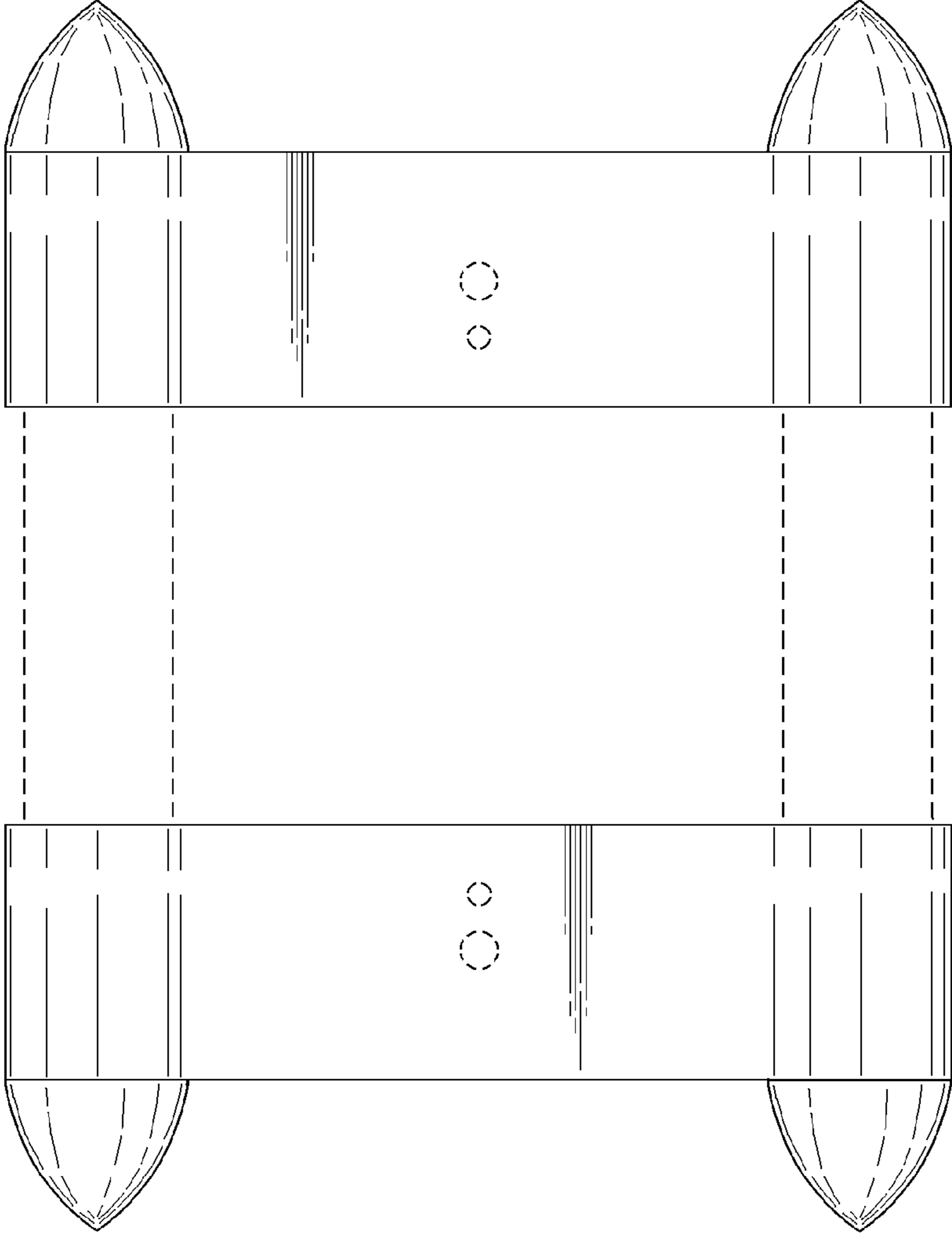


Fig. 3

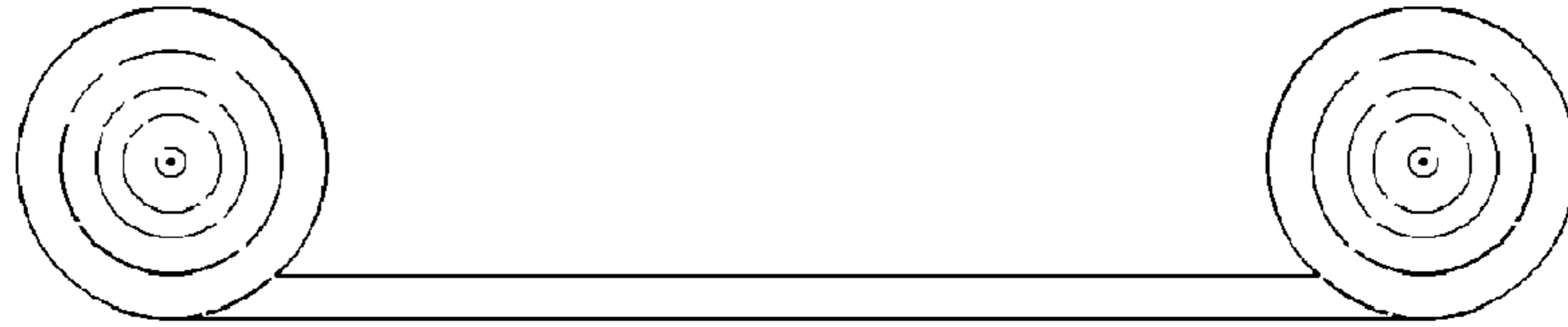


Fig. 4



Fig. 5



Fig. 6

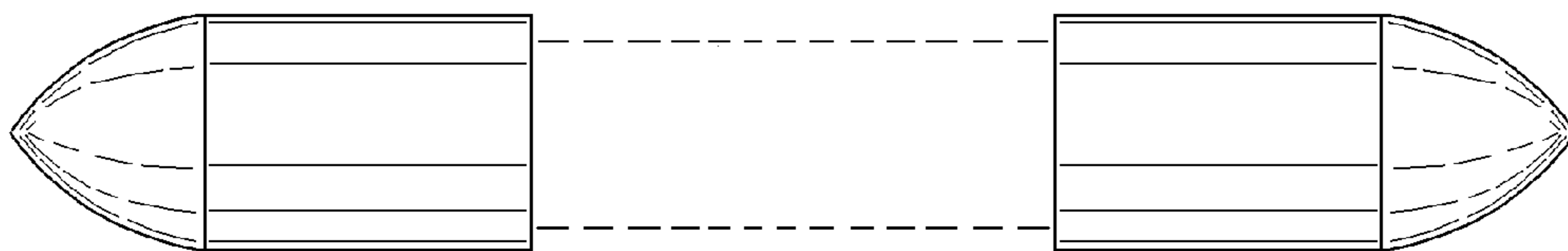


Fig. 7