



US00D687614S

(12) **United States Design Patent**
Simpson et al.

(10) **Patent No.:** **US D687,614 S**

(45) **Date of Patent:** **** Aug. 6, 2013**

(54) **CART**

(71) Applicant: **Tricam Industries, Inc.**, Eden Prairie, MN (US)

(72) Inventors: **Dennis D. Simpson**, Plymouth, MN (US); **Jeff D. Skubic**, Eden Prairie, MN (US); **Louis F. Polk, III**, Excelsior, MN (US); **Jason J. Ness**, Victoria, MN (US)

(**) Term: **14 Years**

(21) Appl. No.: **29/437,366**

(22) Filed: **Nov. 15, 2012**

(51) **LOC (9) Cl.** **12-02**

(52) **U.S. Cl.**
USPC **D34/26**

(58) **Field of Classification Search**
USPC D34/12-27; 280/33.998, 47.131,
280/47.315, 655.1, 79.2
See application file for complete search history.

(56) **References Cited**

U.S. PATENT DOCUMENTS

74,131 A	2/1868	Priest
115,244 A	5/1871	Skeen
128,429 A	6/1872	McCaleb et al.
587,960 A	8/1897	Hammer
1,659,245 A	2/1928	Skeen
1,707,345 A	4/1929	Brown
D118,239 S	12/1939	Kuhns
2,472,989 A	6/1949	Skipper et al.
D162,163 S	2/1951	Hewitt et al.
2,693,389 A	11/1954	Maxwell
2,778,515 A	1/1957	Hanson
3,000,671 A	9/1961	Monegato

(Continued)

FOREIGN PATENT DOCUMENTS

CN	2234885	9/1996
CN	2592470	12/2003
RU	1830013	7/1993

OTHER PUBLICATIONS

MCM International Black Cat Model MH1100 Monster Wagon Owner's Manual. May 22, 2008.

(Continued)

Primary Examiner — Cynthia Ramirez

(74) *Attorney, Agent, or Firm* — Patterson Thunte Pedersen, P.A.

(57) **CLAIM**

We claim the ornamental design for a cart, as shown and described.

DESCRIPTION

FIG. 1 is a perspective view of a cart according to the invention.

FIG. 2 is a left side view of the cart according to the invention.

FIG. 3 is a rear view of the cart according to the invention.

FIG. 4 is a right side view of the cart according to the invention.

FIG. 5 is front view of the cart according to the invention.

FIG. 6 is a top view of the cart according to the invention.

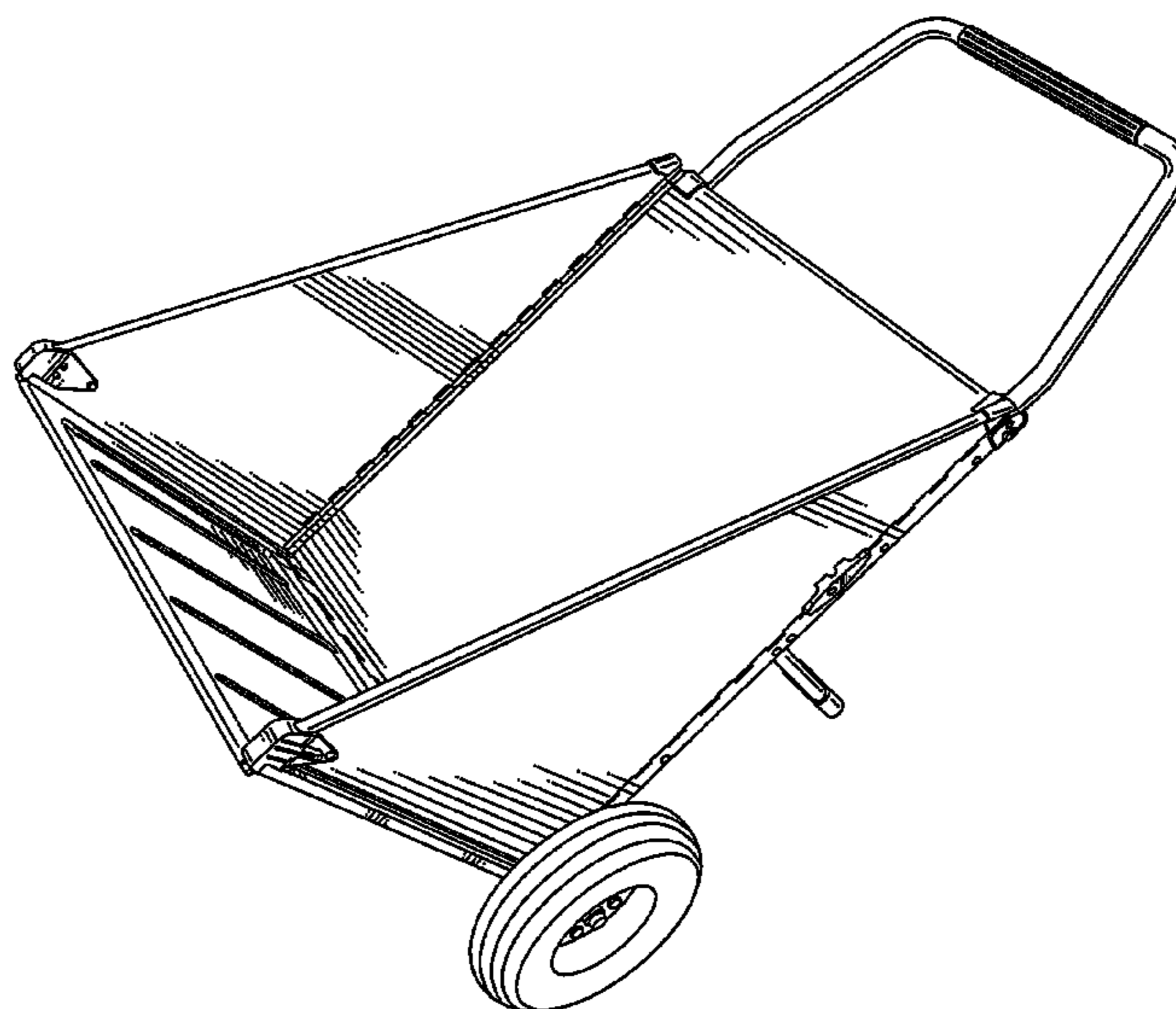
FIG. 7 is a bottom view of the cart according to the invention.

FIG. 8 is a perspective view of the cart with the left side wall in a folded position according to the invention.

FIG. 9 is a perspective view of the cart with both side walls in a folded position according to the invention; and,

FIG. 10 is a perspective view of the cart with both side walls and bottom in a folded position according to the invention.

1 Claim, 10 Drawing Sheets



U.S. PATENT DOCUMENTS

3,104,889 A 9/1963 Branch
 D198,676 S 7/1964 Tarran
 3,158,402 A 11/1964 Clement
 3,166,339 A * 1/1965 Earley 280/654
 D201,749 S 7/1965 Rolland
 3,281,186 A 10/1966 Davis
 3,785,669 A 1/1974 Dohney
 3,833,263 A 9/1974 Jackson
 3,850,441 A 11/1974 Peters et al.
 D245,971 S * 10/1977 Martens D34/16
 D246,774 S 12/1977 Esposito
 D249,031 S 8/1978 Tarran
 D249,032 S 8/1978 Tarran
 4,126,324 A 11/1978 Browning
 4,202,521 A 5/1980 Harding
 4,239,258 A 12/1980 Burris
 4,261,596 A * 4/1981 Douglas 280/652
 D269,215 S * 5/1983 Caine D34/17
 D273,522 S 4/1984 Zastera
 4,456,094 A 6/1984 Brander
 4,468,046 A 8/1984 Rutherford
 4,511,181 A 4/1985 Schantz
 D289,578 S 4/1987 Ruffin
 4,697,976 A 10/1987 Godbersen
 4,711,499 A 12/1987 Fortin
 4,733,451 A 3/1988 Voigt
 4,746,142 A 5/1988 Davis
 4,758,008 A 7/1988 Moddejonge
 4,768,806 A 9/1988 Tetreault
 4,784,405 A 11/1988 Stein
 4,786,073 A 11/1988 Harper
 4,815,853 A 3/1989 Lefevre
 4,889,360 A * 12/1989 Havlovitz 280/655.1
 4,889,390 A 12/1989 Campbell
 4,921,270 A 5/1990 Schoberg
 4,995,129 A 2/1991 Comardo
 D318,356 S 7/1991 Minasian
 D327,968 S * 7/1992 Wright D34/24
 D336,710 S 6/1993 Kinnaman
 D339,442 S 9/1993 Holtz
 D340,335 S 10/1993 Kean et al.
 D344,833 S 3/1994 Apter et al.
 5,340,134 A 8/1994 Dodson
 5,340,135 A 8/1994 Womberly
 5,350,030 A 9/1994 Mawhinney et al.
 D354,600 S 1/1995 Roberts
 D354,601 S 1/1995 Dunkle
 5,387,001 A 2/1995 Hull
 5,395,163 A 3/1995 Mandell et al.
 5,439,239 A 8/1995 Su
 5,465,987 A 11/1995 Dellavecchia
 5,474,313 A 12/1995 Marquardt
 5,536,034 A 7/1996 Miller
 5,544,944 A 8/1996 Keech
 5,577,745 A 11/1996 Birk
 D383,582 S * 9/1997 Sinclair, Jr. D34/18
 5,769,449 A 6/1998 Keesee
 D404,876 S 1/1999 Rubinos et al.
 D404,877 S 1/1999 Popham
 5,957,482 A 9/1999 Shorter
 D420,481 S 2/2000 Yates
 D423,174 S 4/2000 Burr
 6,135,466 A 10/2000 Irwin
 6,176,504 B1 1/2001 Van Mill
 D440,727 S 4/2001 Keller et al.
 6,213,053 B1 4/2001 Lammers
 6,234,497 B1 5/2001 Stahler
 6,290,301 B1 9/2001 Bockman
 D455,882 S 4/2002 Ziolkowski
 6,378,893 B1 4/2002 Jager
 6,419,244 B2 7/2002 Meabon

D462,821 S 9/2002 Measom
 D465,634 S 11/2002 Botzau et al.
 6,511,092 B1 1/2003 Chepa
 6,536,557 B2 3/2003 Gibson et al.
 D473,990 S 4/2003 Hittle
 D481,511 S 10/2003 Lee
 D481,512 S 10/2003 Lee
 6,692,014 B1 2/2004 Grosso et al.
 6,702,516 B1 3/2004 Harrison
 6,834,882 B1 12/2004 Boyd
 D501,972 S * 2/2005 Hillbohm D34/16
 6,848,695 B2 * 2/2005 Panasewicz et al. 280/33.998
 6,851,756 B2 2/2005 Pieschel
 6,962,370 B2 11/2005 Simpson
 7,052,033 B2 5/2006 McDonell
 D523,204 S 6/2006 Geldbach et al.
 7,055,848 B1 6/2006 James
 D528,731 S 9/2006 Cragg et al.
 D531,376 S 10/2006 Tetradis
 D532,954 S 11/2006 Donaldson
 7,175,205 B2 2/2007 Simpson
 7,390,065 B2 6/2008 Pieschel
 D603,121 S * 10/2009 Schwager D34/18
 D622,471 S * 8/2010 Hernandez D34/12
 7,818,865 B2 10/2010 Pieschel
 7,887,141 B2 2/2011 Pieschel
 D635,731 S * 4/2011 Schloemer D34/12
 2003/0218316 A1 11/2003 Simpson
 2003/0222431 A1 12/2003 Crosby et al.
 2004/0183357 A1 9/2004 Pieschel
 2005/0057020 A1 3/2005 Pieschel
 2005/0269813 A1 12/2005 Simpson
 2006/0091646 A1 5/2006 Steins
 2006/0245876 A1 11/2006 Hopkins et al.
 2007/0182150 A1 8/2007 Simpson
 2007/0200419 A1 8/2007 Pieschel et al.
 2008/0203687 A1 8/2008 Meyers et al.
 2008/0217985 A1 9/2008 Botha
 2008/0271306 A1 11/2008 Pieschel
 2009/0242285 A1 10/2009 Whetstone

OTHER PUBLICATIONS

World Factory Poly Cart. May 22, 2008.
 Written Opinion and International Search Report from International Application No. PCT/US06/43132 dated Sep. 26, 2007.
 Canadian Office Action from Canadian Application No. 2503869 dated Sep. 28, 2006.
 International Preliminary Report for International Application No. PCT/US2006/043132 dated May 15, 2008.
 Chinese Office Action for Chinese Application No. 200680000909.0 dated Sep. 4, 2009.
 Canadian Office Action from Canadian Application No. 2590949 dated May 17, 2011.
 Application and File History for U.S. Appl. No. 11/546,941, filed Oct. 12, 2006 inventor Simpson.
 Application and File History for U.S. Appl. No. 10/409,674, filed Apr. 7, 2003 inventor Simpson.
 Application and File History for U.S. Appl. No. 11/199,320, filed Aug. 8, 2005 inventor Simpson.
 Application and File History for U.S. Appl. No. 11/619,397, filed Jan. 3, 2007, inventor Simpson.
 Application and File History for U.S. Appl. No. 10/395,010, filed Mar. 21, 2003, inventor Pieschel.
 Application and File History for U.S. Appl. No. 10/977,254, filed Oct. 29, 2004, inventor Pieschel.
 Application and File History for U.S. Appl. No. 12/039,870, filed Feb. 29, 2008, inventor Pieschel.

* cited by examiner

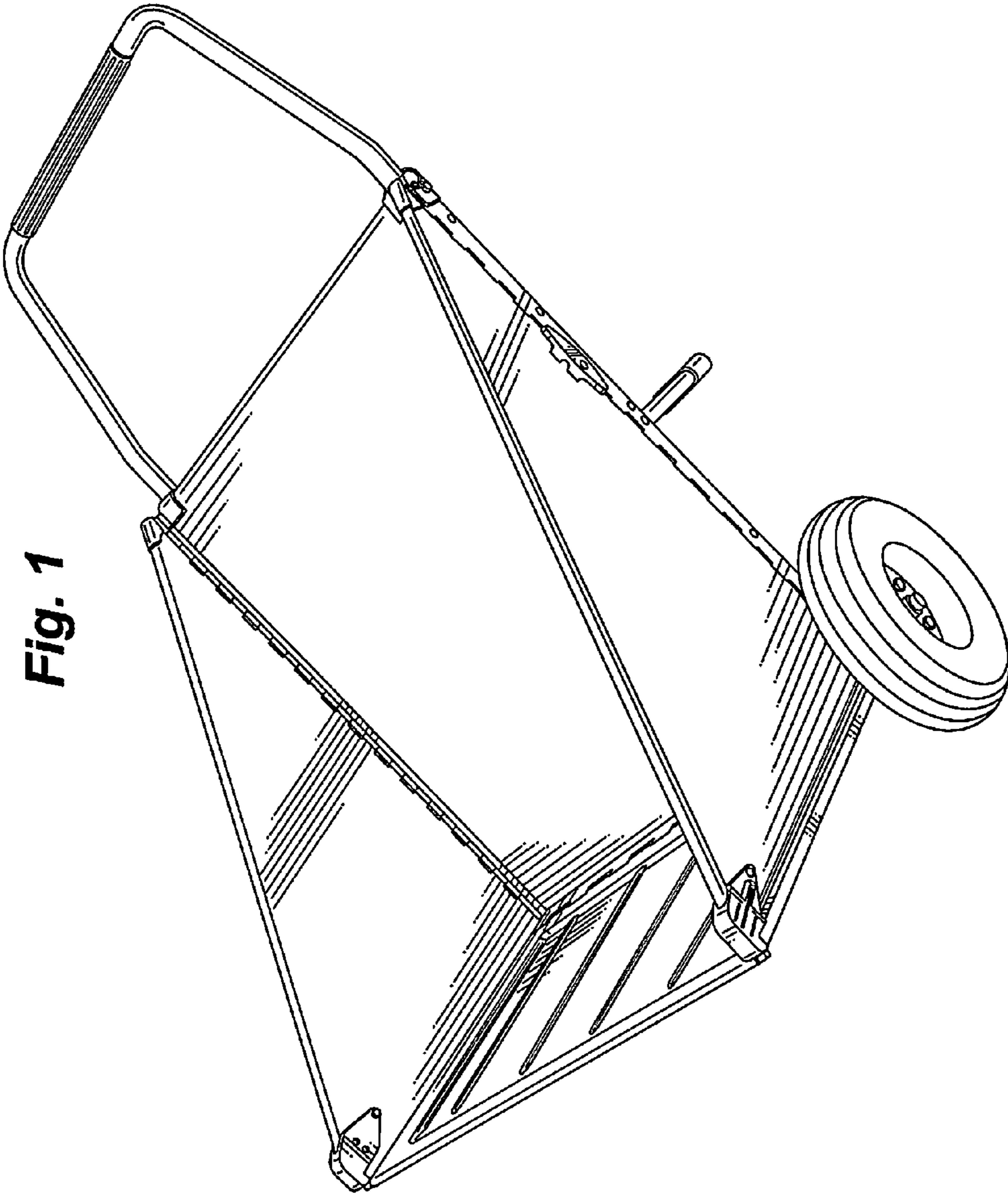


Fig. 1

Fig. 2

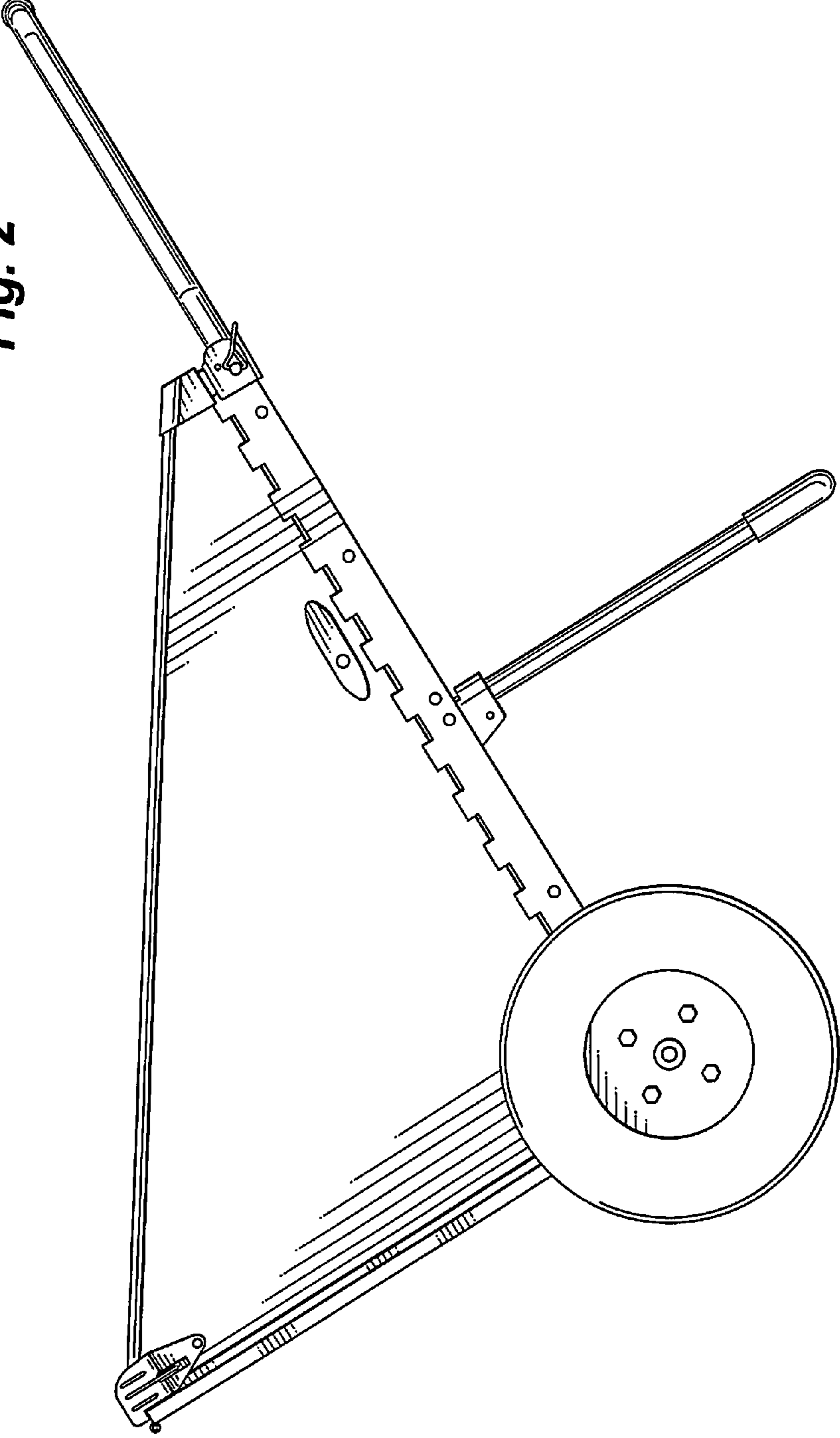
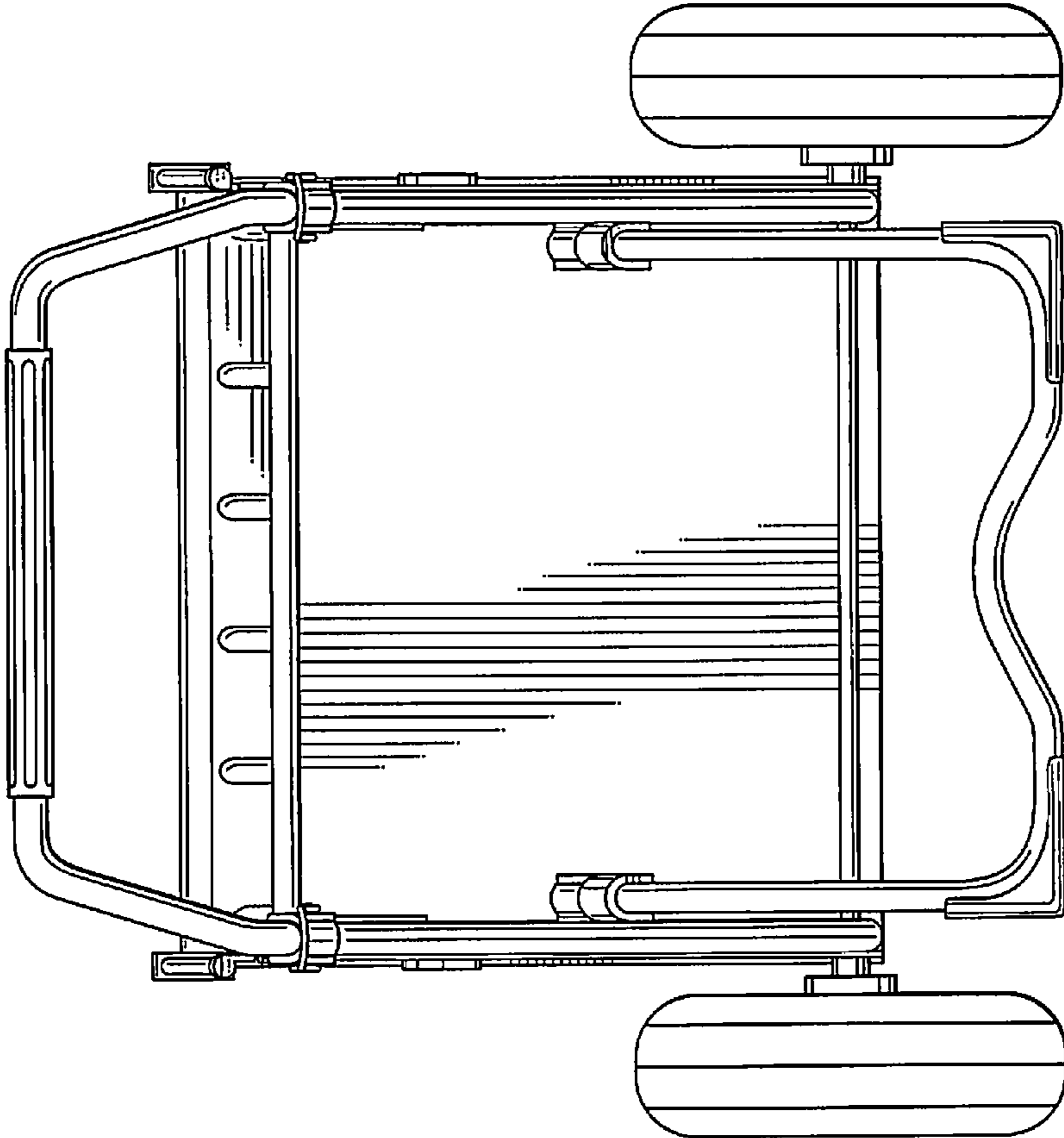


Fig. 3



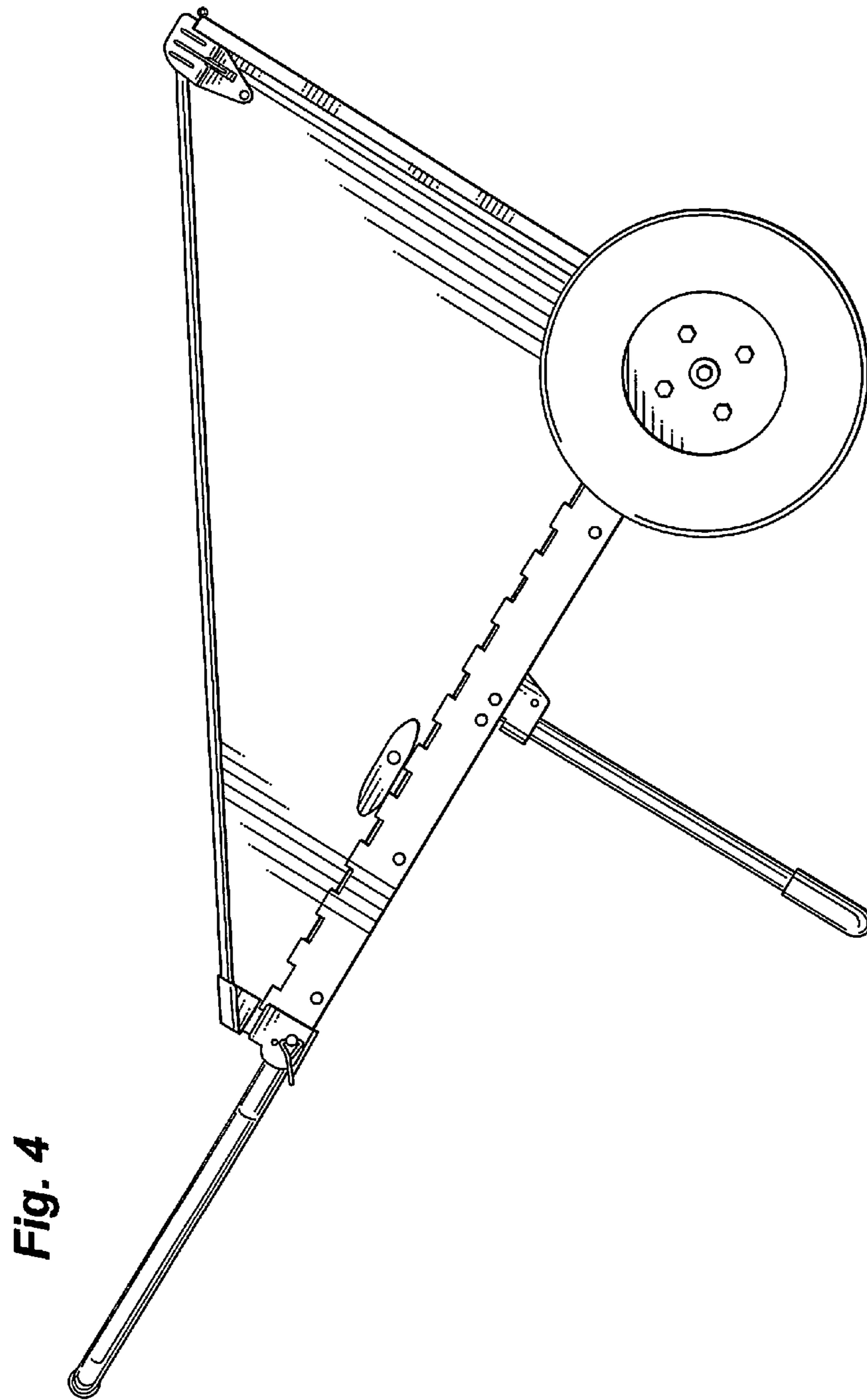
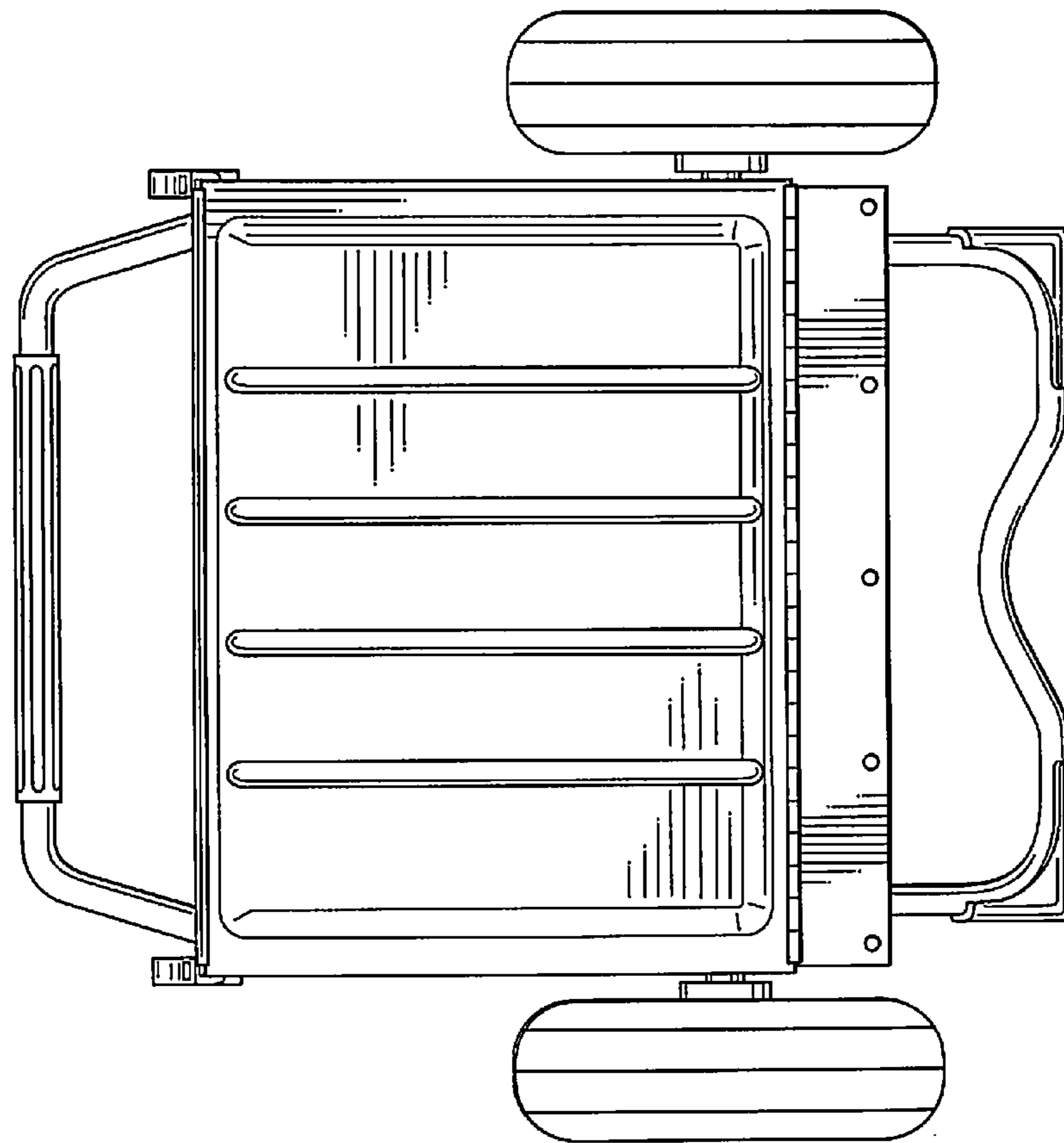


Fig. 4

Fig. 5



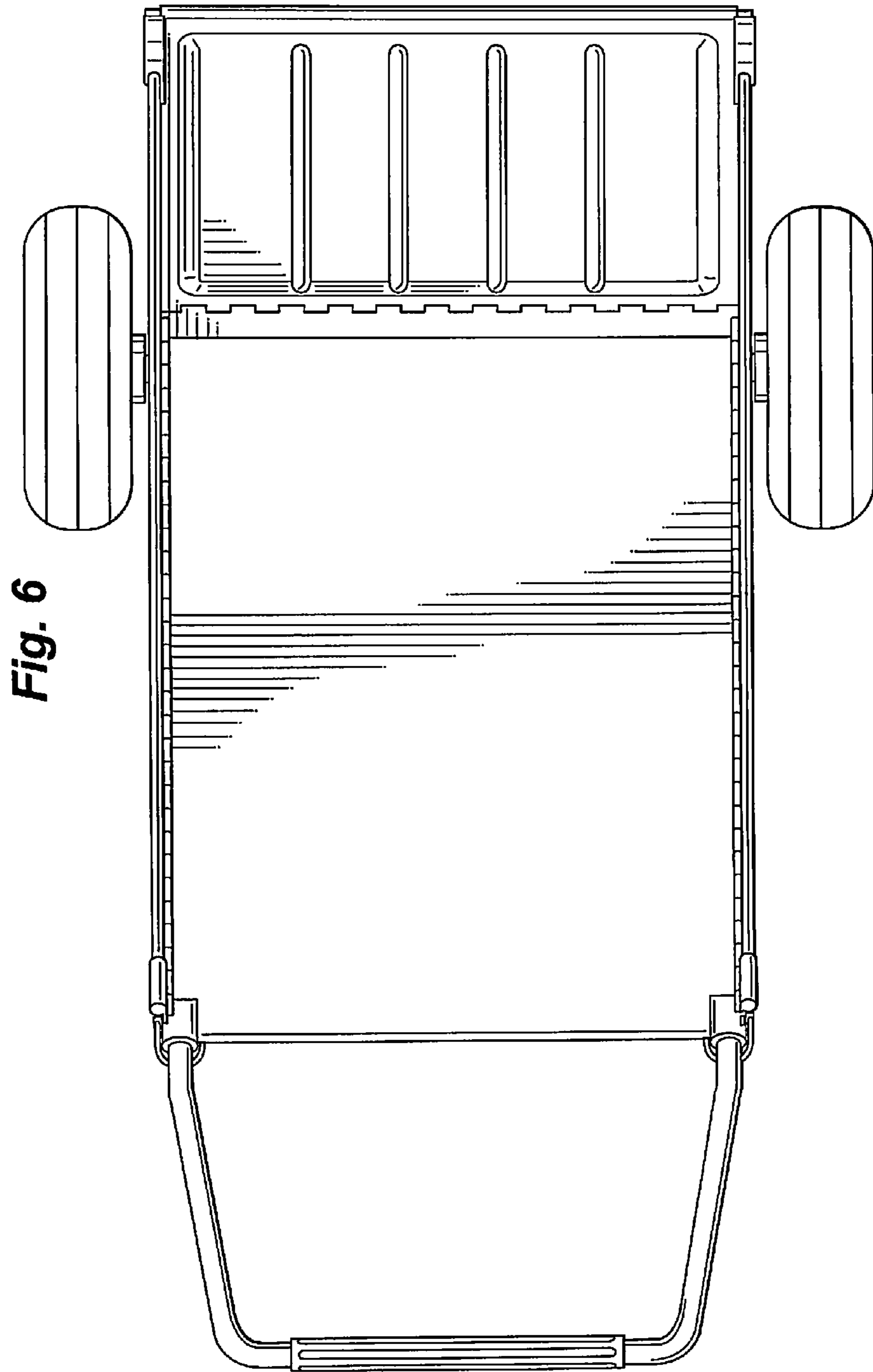


Fig. 6

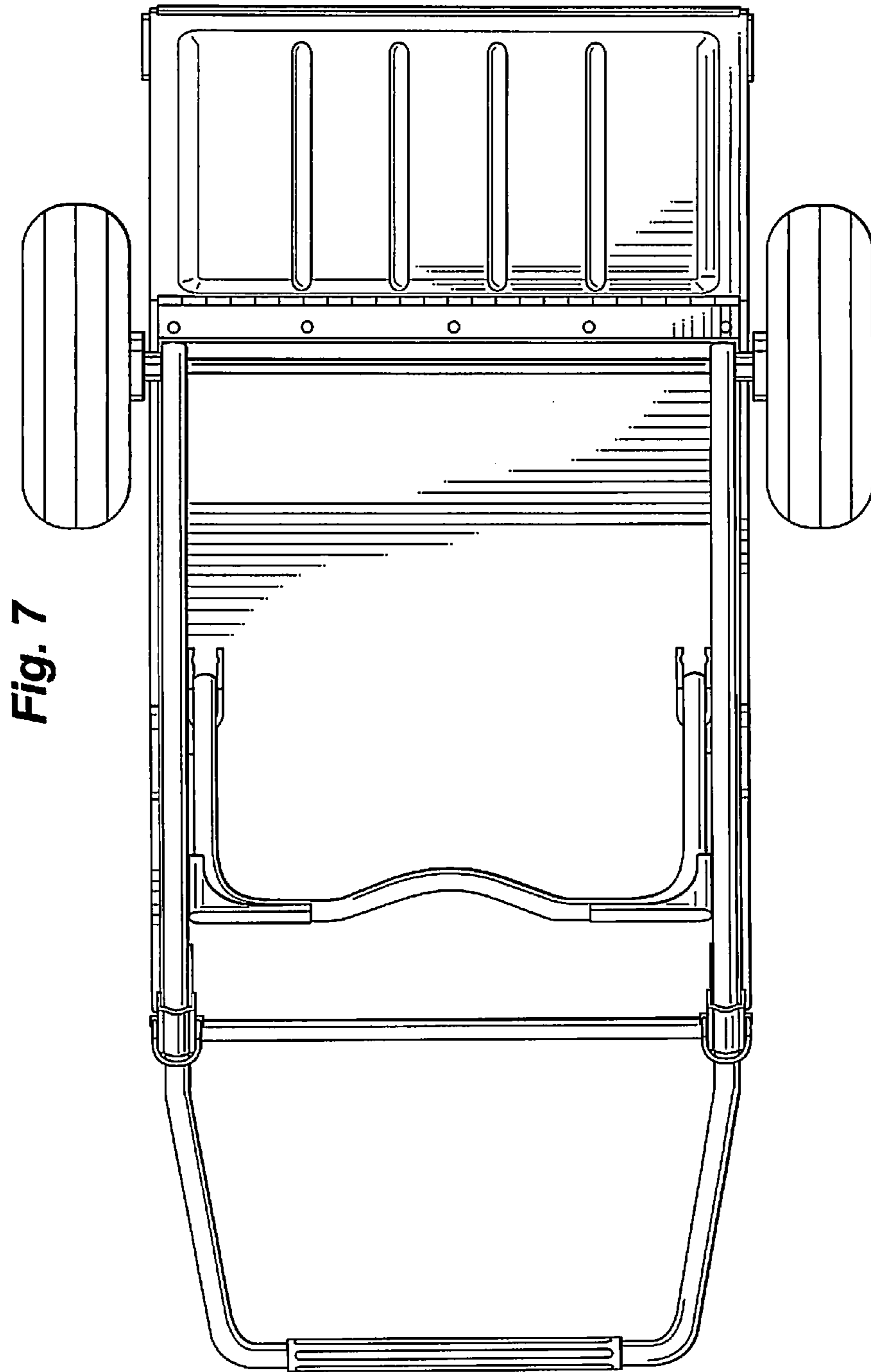


Fig. 7

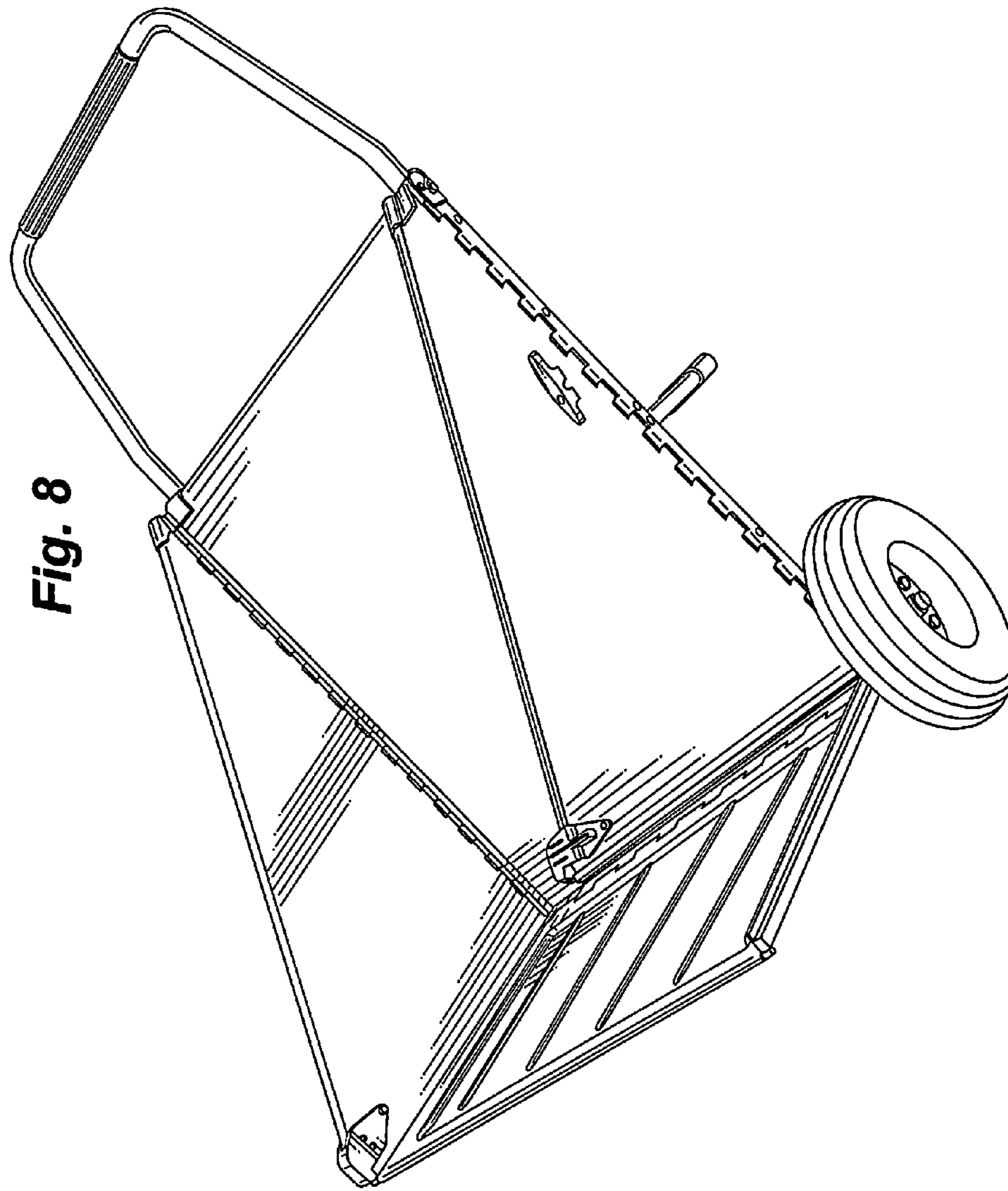


Fig. 8

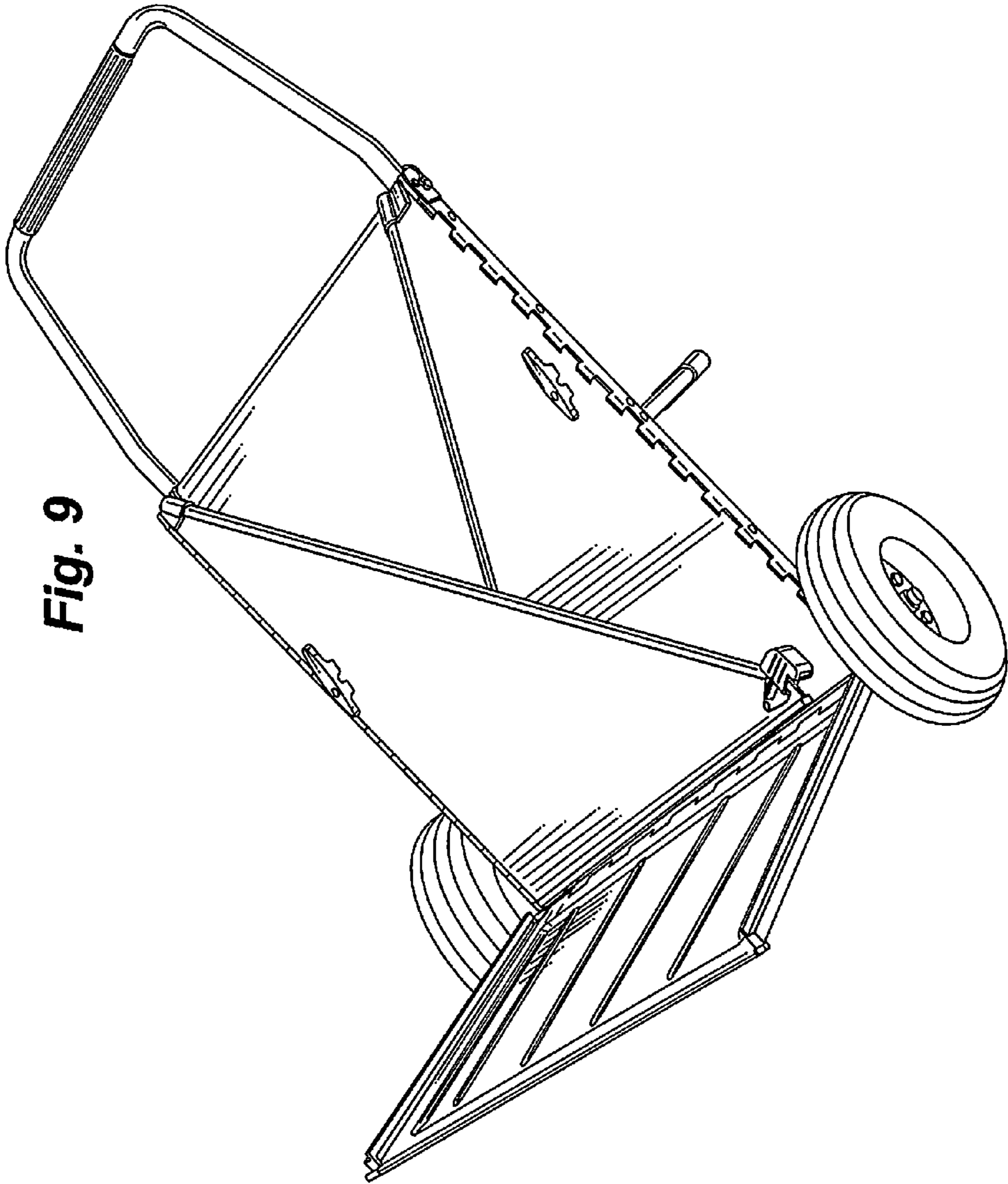


Fig. 9

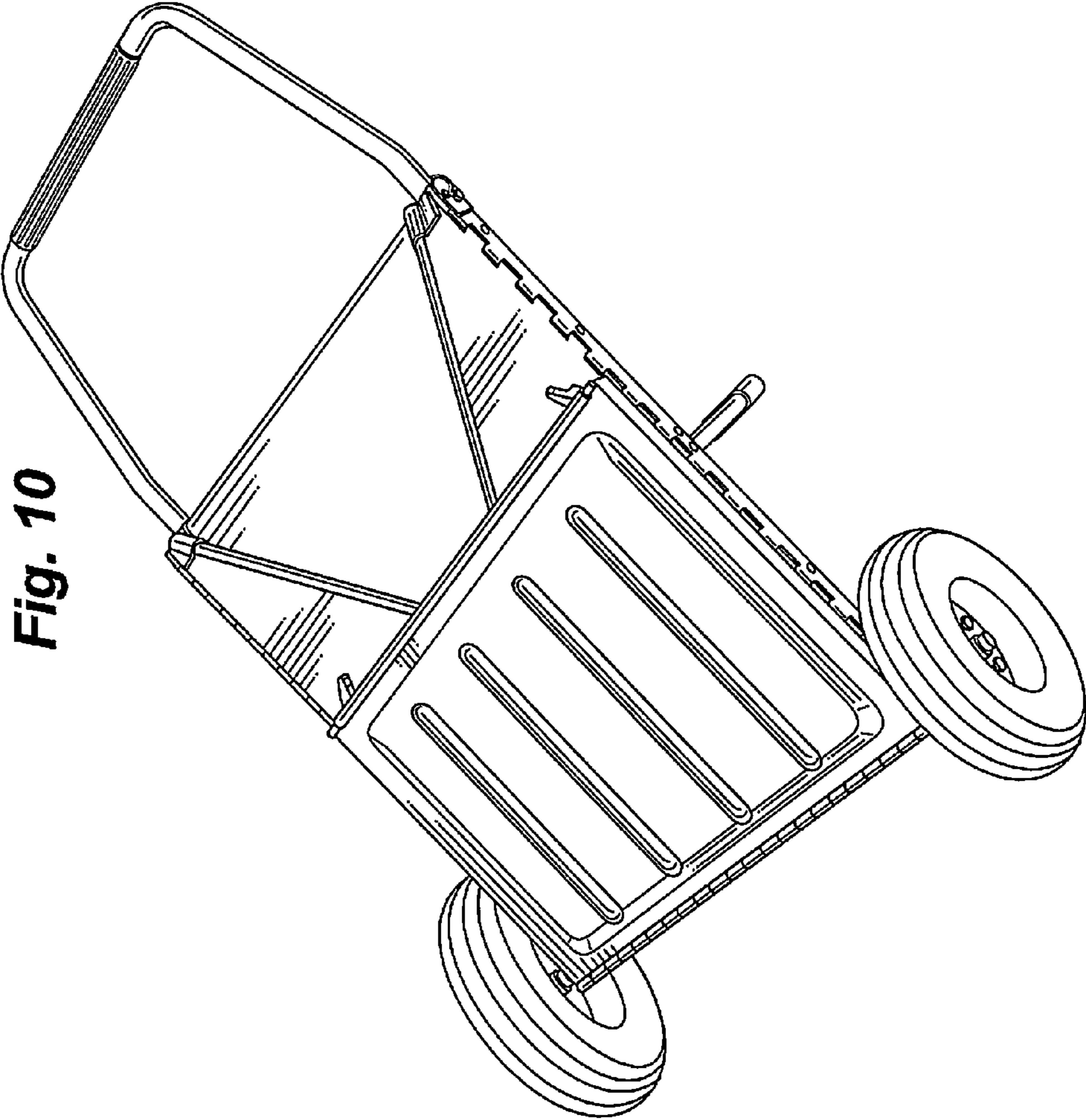


Fig. 10