



US00D687613S

(12) **United States Design Patent**
Ho et al.

(10) **Patent No.:** **US D687,613 S**

(45) **Date of Patent:** **** Aug. 6, 2013**

(54) **JANITORS CART**

(76) Inventors: **Maggie Man Kai Ho**, Broadmeadows (AU); **Frankie Ngan**, Broadmeadows (AU); **Karl Radolovic**, Broadmeadows (AU)

(**) **Term:** **14 Years**

(21) **Appl. No.:** **29/424,434**

(22) **Filed:** **Jun. 12, 2012**

(30) **Foreign Application Priority Data**

Dec. 14, 2011 (AU) 2011115760

(51) **LOC (9) Cl.** **12-02**

(52) **U.S. Cl.**
USPC **D34/12**

(58) **Field of Classification Search**
USPC D34/12-27; 280/79.11, 79.2, 79.3, 280/47.35, 47.34, 47.19; D6/478, 479, 481, D6/484, 487; 296/22; 312/249.8
See application file for complete search history.

(56) **References Cited**

U.S. PATENT DOCUMENTS

D137,626 S * 4/1944 Adams D34/21
3,877,744 A * 4/1975 Miller 296/22
D302,064 S * 7/1989 Delmerico D34/20
D313,878 S * 1/1991 Rinkewich D34/21
4,986,555 A * 1/1991 Andreen 280/47.35

D324,284 S * 2/1992 Welch D34/21
D349,988 S * 8/1994 Green D34/21
D361,187 S * 8/1995 Snell D34/21
D361,419 S * 8/1995 Snell D34/21
5,566,961 A * 10/1996 Snell et al. 280/47.35
D424,700 S * 5/2000 Horton D25/18
D424,773 S * 5/2000 Granberg D34/20
D425,279 S * 5/2000 Houry et al. D34/20
D455,881 S * 4/2002 Arvans D34/21
D461,941 S * 8/2002 Underbrink et al. D34/21
D474,570 S * 5/2003 Presnell et al. D34/21
D575,473 S * 8/2008 Presnell D34/27
D575,922 S * 8/2008 Presnell D34/27
D607,172 S * 12/2009 Catron D34/14
D624,271 S * 9/2010 Uhl et al. D34/17

* cited by examiner

Primary Examiner — Cynthia Ramirez

(74) *Attorney, Agent, or Firm* — Brooks Kushman P.C.

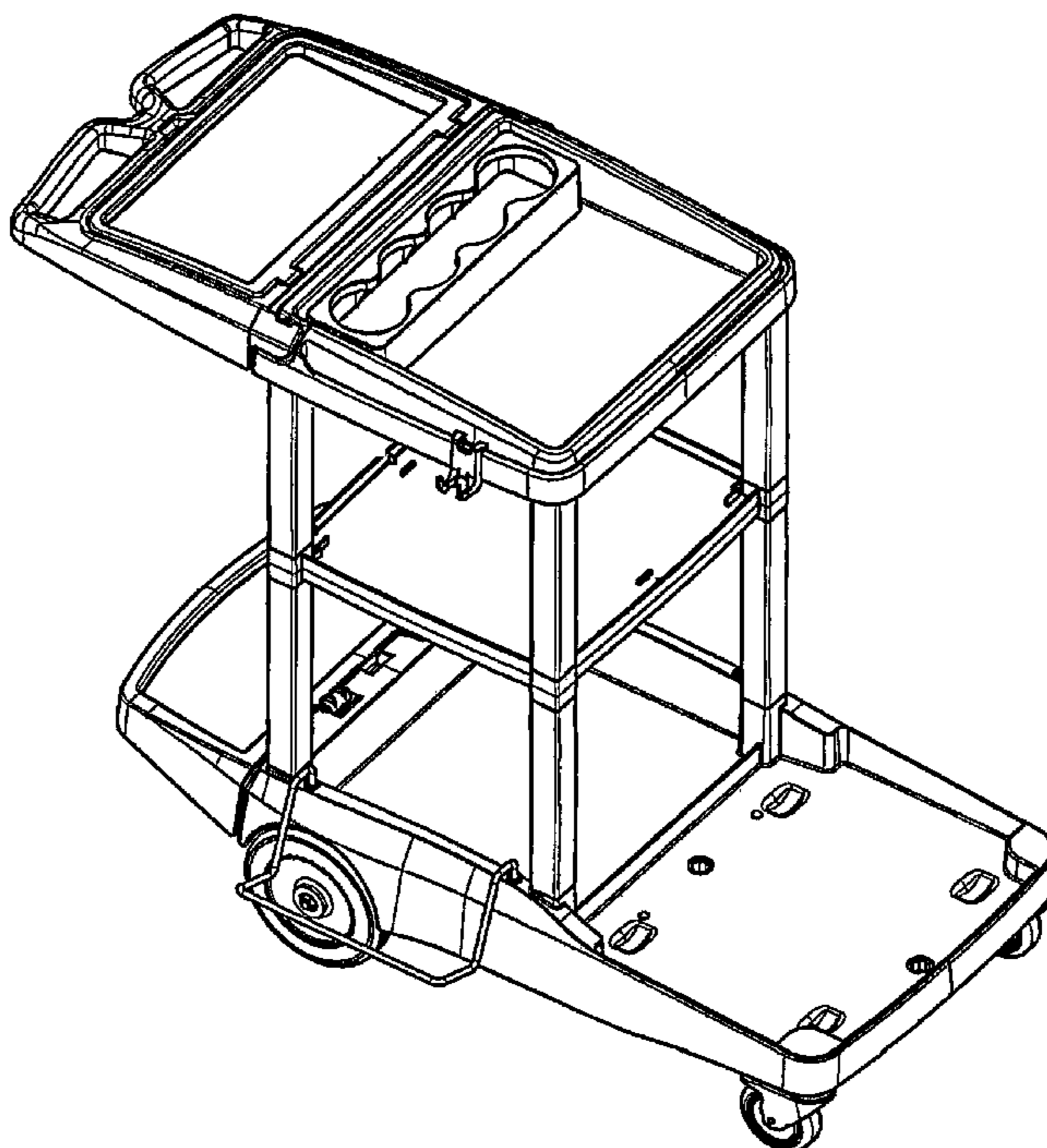
(57) **CLAIM**

The ornamental design for a janitors cart, as shown and described.

DESCRIPTION

FIG. 1 is a front perspective view of a janitor's cart showing our new design;
FIG. 2 is a front view;
FIG. 3 is a rear view;
FIG. 4 is a left side view;
FIG. 5 is a right side view; and,
FIG. 6 is a top plan view.

1 Claim, 6 Drawing Sheets



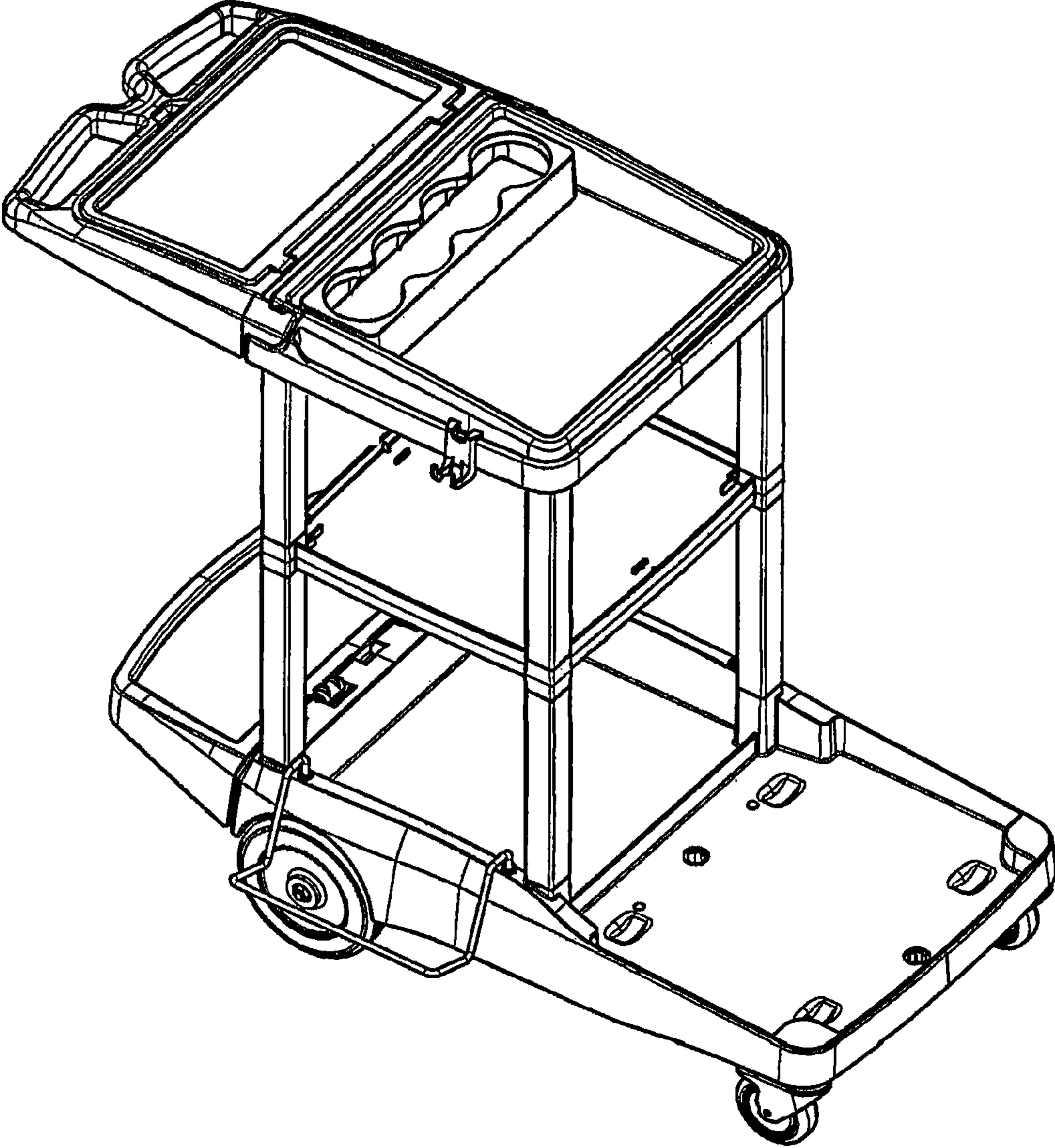


FIGURE 1

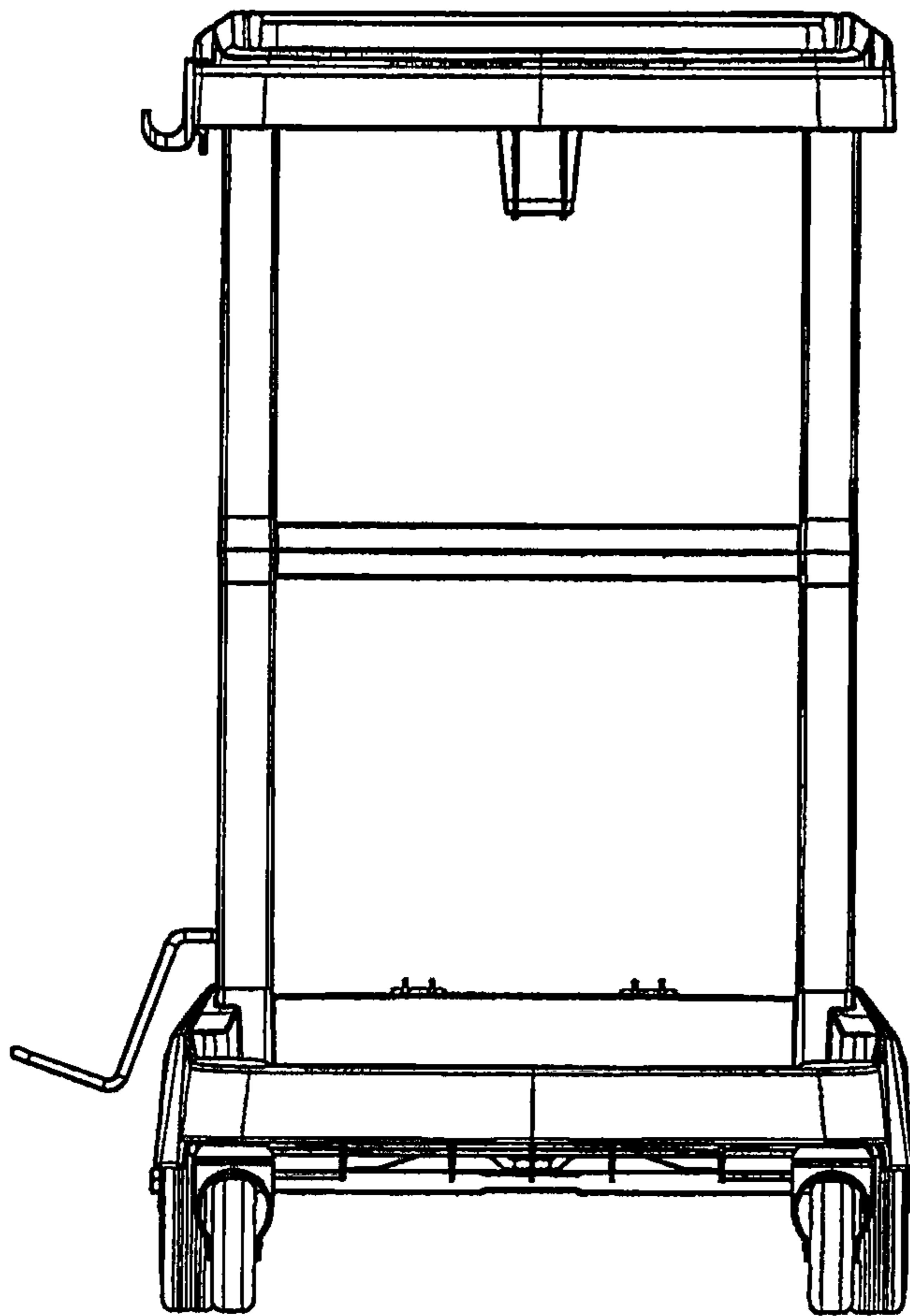


FIGURE 2

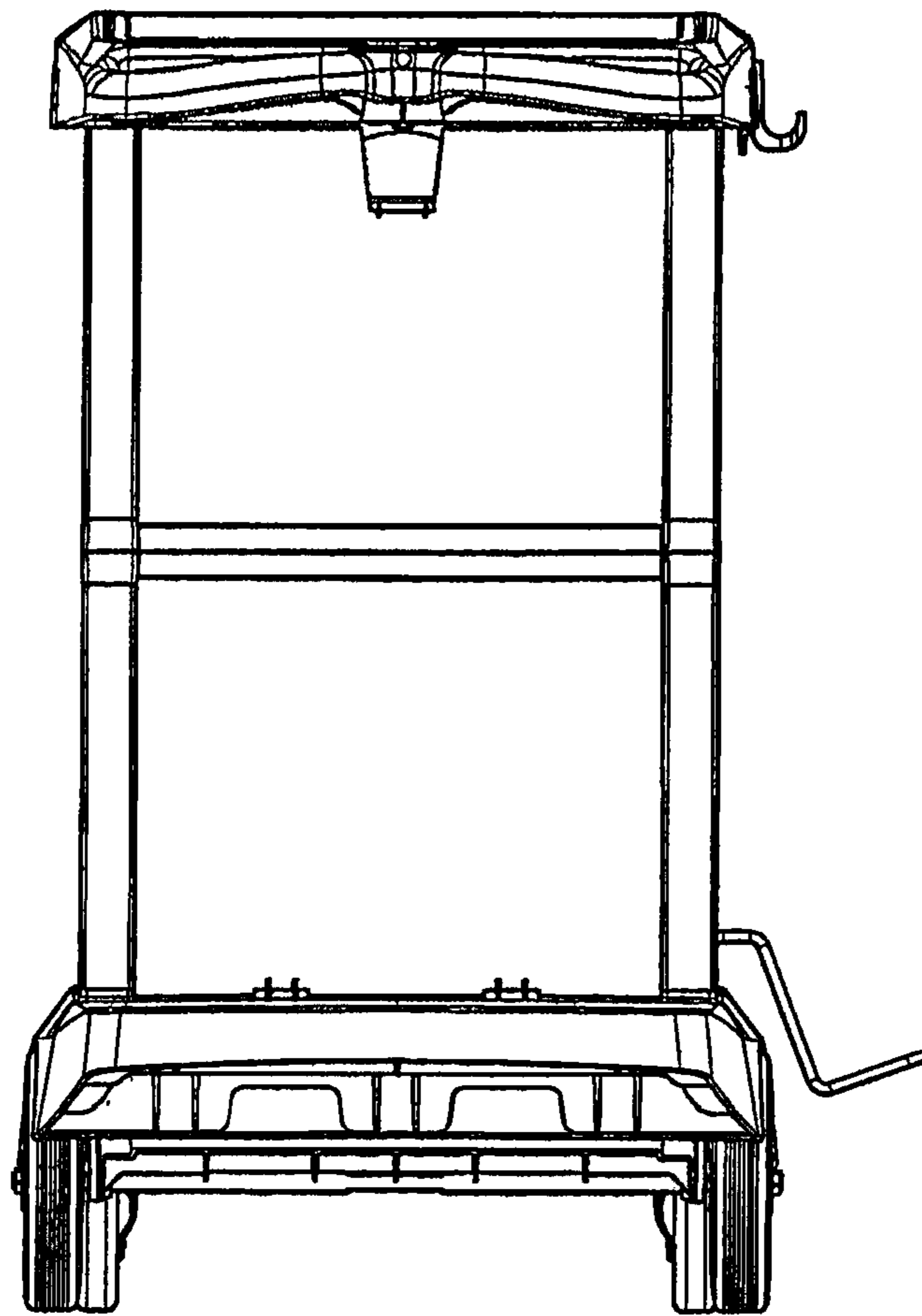


FIGURE 3

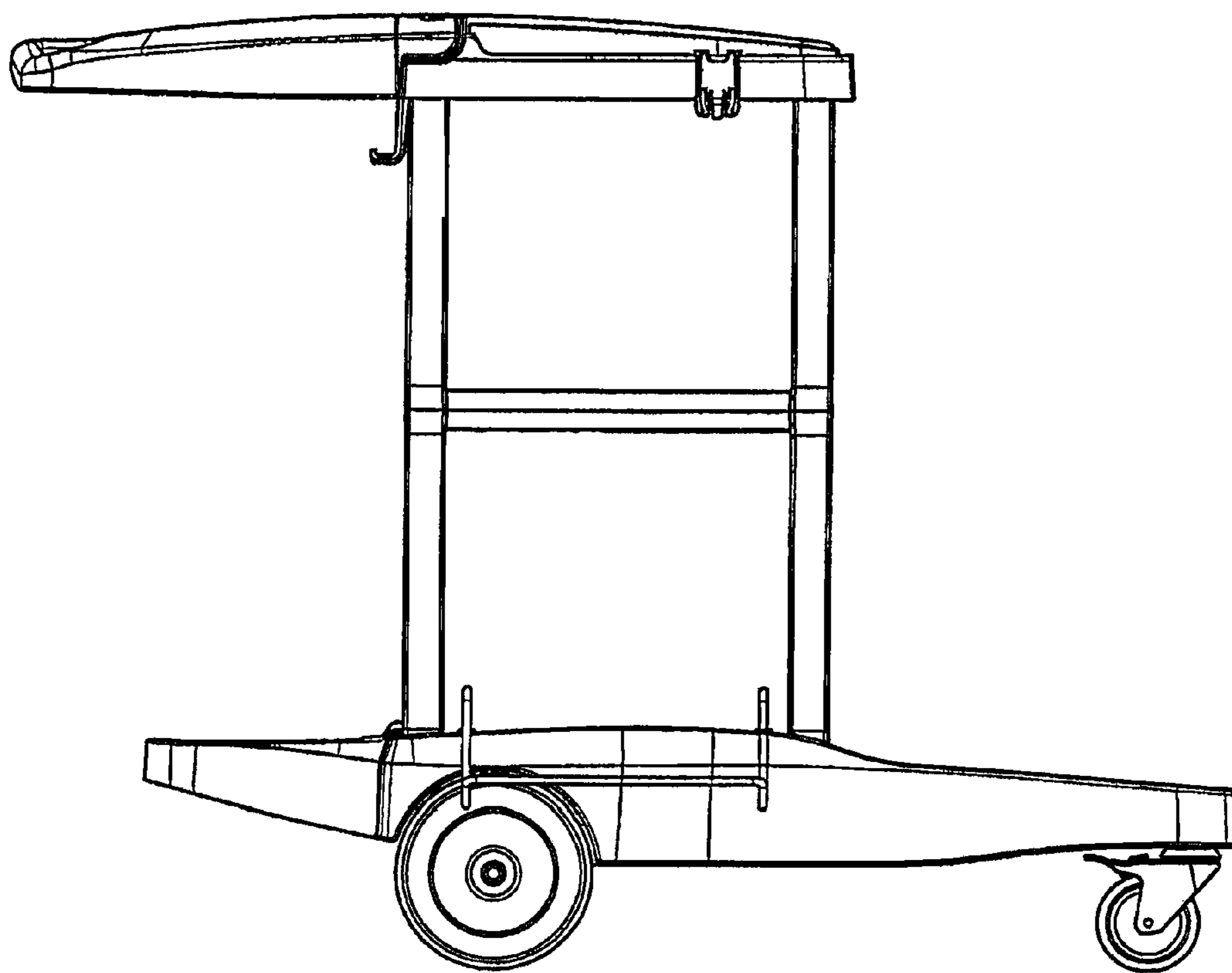


FIGURE 4

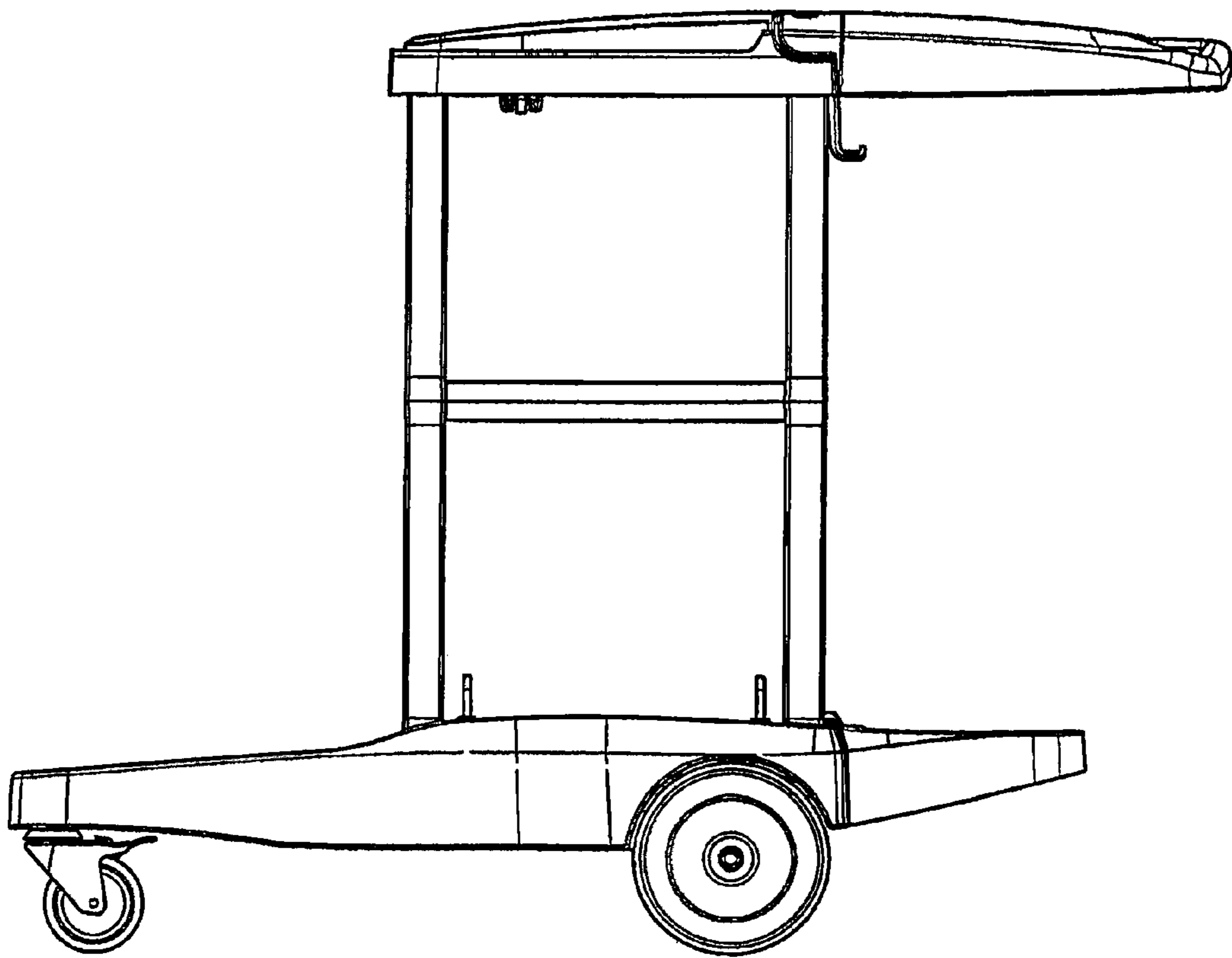


FIGURE 5

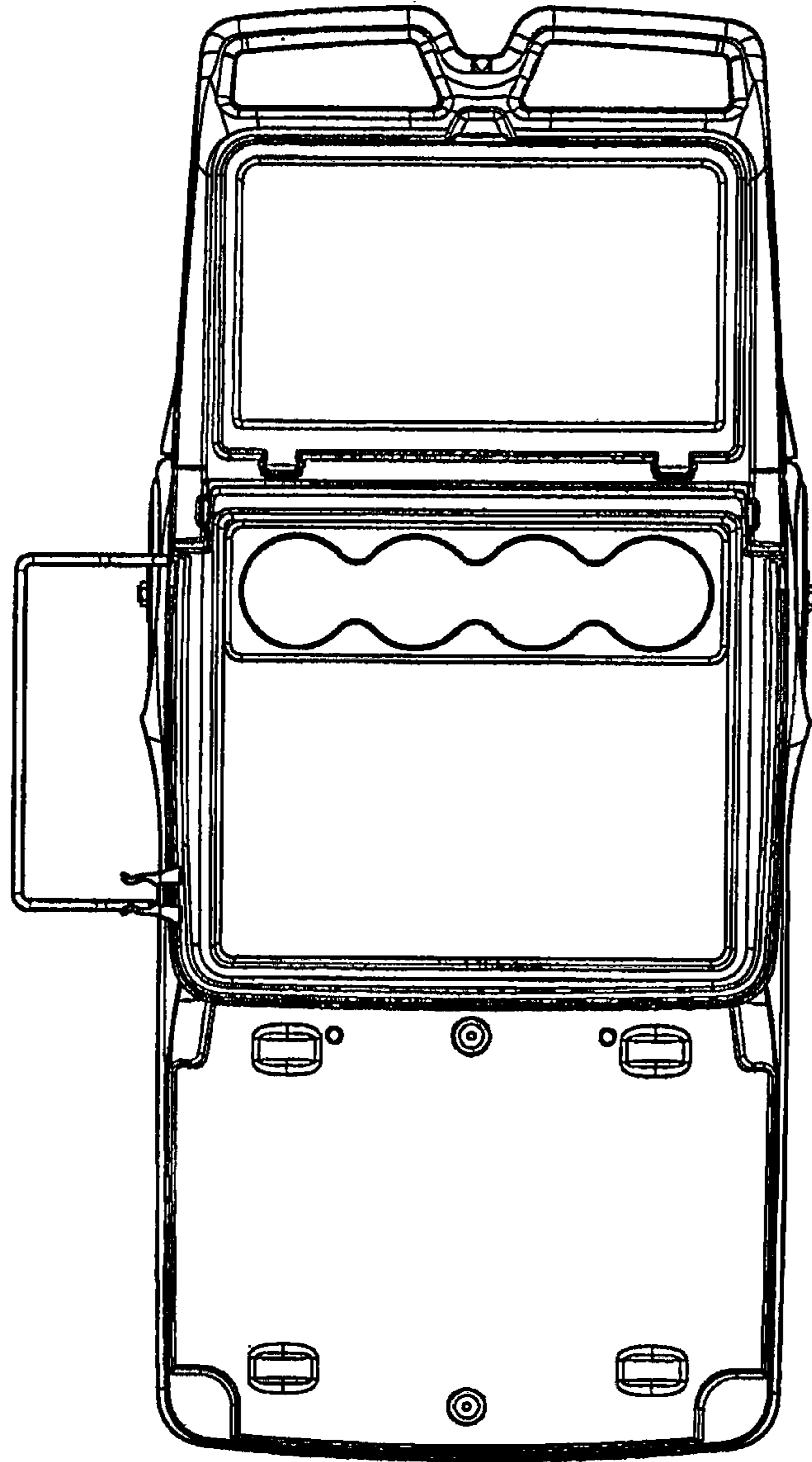


FIGURE 6