



US00D687612S

(12) **United States Design Patent**
Bryan

(10) **Patent No.:** **US D687,612 S**

(45) **Date of Patent:** **** Aug. 6, 2013**

(54) **SUCTION RELEASE APPARATUS**

(71) Applicant: **Michael J. W. Bryan**, Memphis, TN
(US)

(72) Inventor: **Michael J. W. Bryan**, Memphis, TN
(US)

(**) Term: **14 Years**

(21) Appl. No.: **29/437,472**

(22) Filed: **Nov. 16, 2012**

(51) **LOC (9) Cl.** **09-09**

(52) **U.S. Cl.**
USPC **D34/10**

(58) **Field of Classification Search**
USPC D34/1-11; 220/908, 908.1, 909,
220/911, 912, 913, 495.04, 495.01, 366,
220/676, 295

See application file for complete search history.

(56) **References Cited**

U.S. PATENT DOCUMENTS

4,890,760	A *	1/1990	Nicoll et al.	220/495.04
5,375,732	A	12/1994	Bowers et al.		
6,015,063	A	1/2000	Poliquin		
6,331,334	B1 *	12/2001	Trepte et al.	428/35.7
6,594,876	B1	7/2003	Stastny		
6,634,518	B1	10/2003	Jones		
7,255,242	B2 *	8/2007	Shalit	220/495.06
7,578,409	B1	8/2009	Kulasik		

7,641,067	B2	1/2010	McCurry
2004/0084456	A1	5/2004	Lubrano
2005/0263734	A1	12/2005	Latona
2007/0068947	A1	3/2007	Rush
2008/0083756	A1	4/2008	Daniels
2009/0179034	A1	7/2009	Olson
2011/0253724	A1	10/2011	Kastner

FOREIGN PATENT DOCUMENTS

GB	2407964	A	5/2005
GB	2459855	A	11/2009

* cited by examiner

Primary Examiner — Cynthia Ramirez

(74) *Attorney, Agent, or Firm* — Kenneth M. Bush; Bush Intellectual Property Law

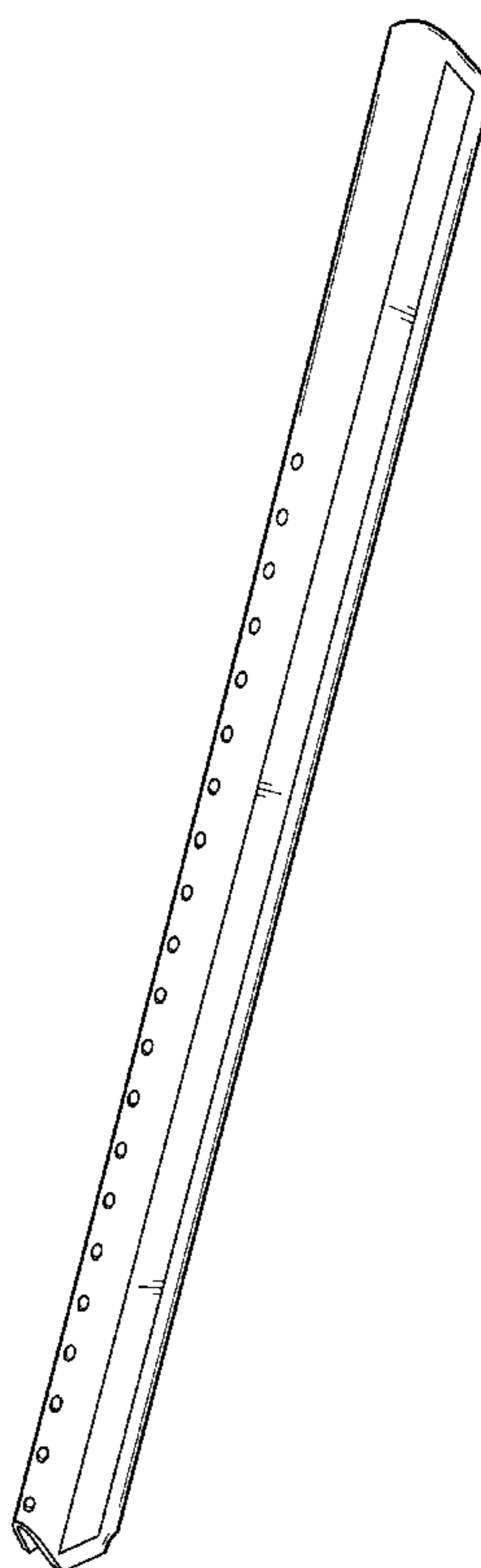
(57) **CLAIM**

I claim the ornamental design for a suction release apparatus, as shown and described.

DESCRIPTION

FIG. 1 is a right rear perspective view of a suction release apparatus showing my new design;
FIG. 2 is a front elevational view thereof;
FIG. 3 is a rear elevational view thereof;
FIG. 4 is a left side elevational view thereof;
FIG. 5 is a right side elevational view thereof;
FIG. 6 is a top plan view thereof; and,
FIG. 7 is a bottom plan view thereof.

1 Claim, 4 Drawing Sheets



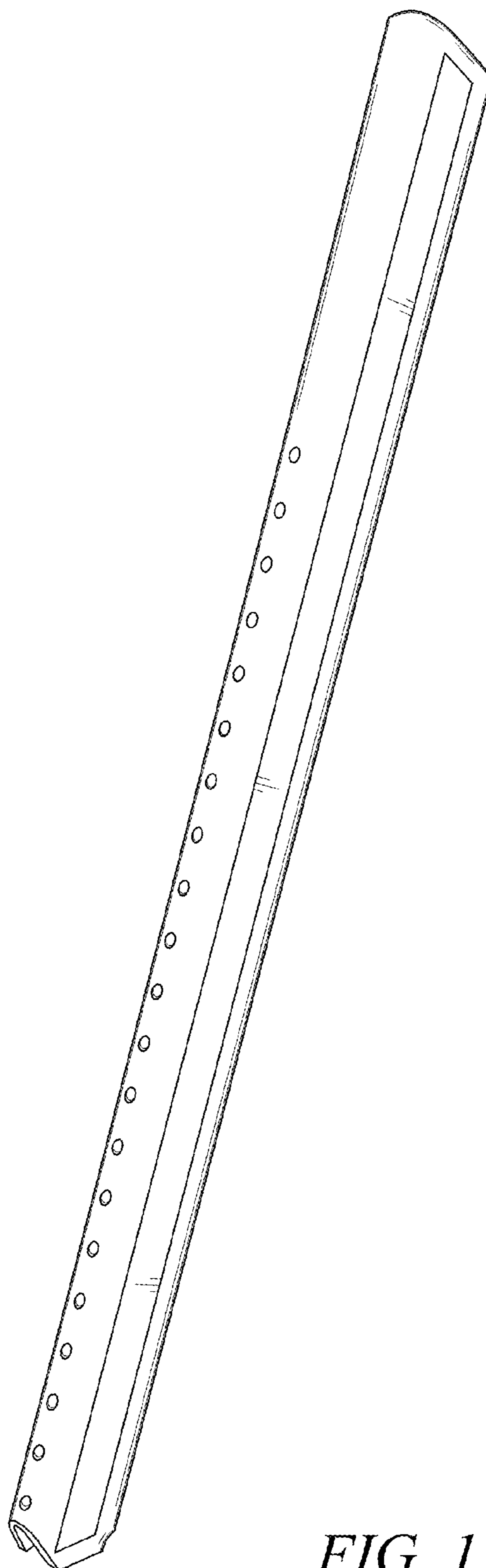


FIG. 1

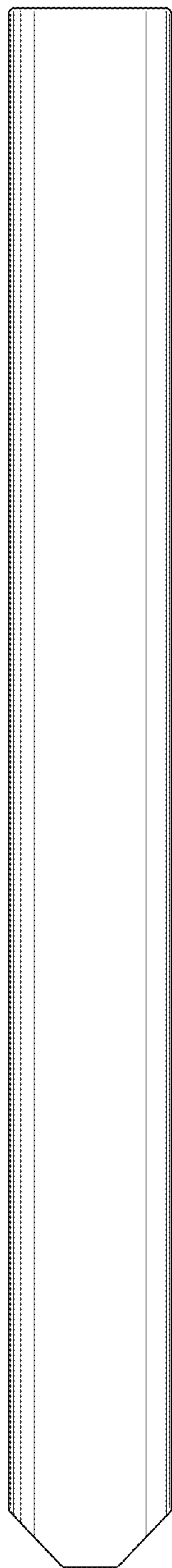


FIG. 2

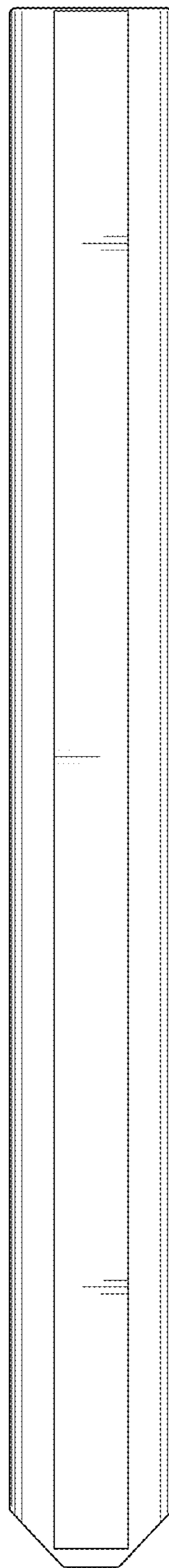


FIG. 3

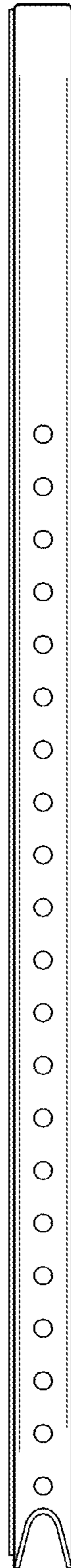


FIG. 4

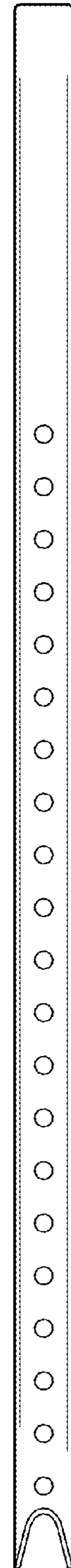


FIG. 5

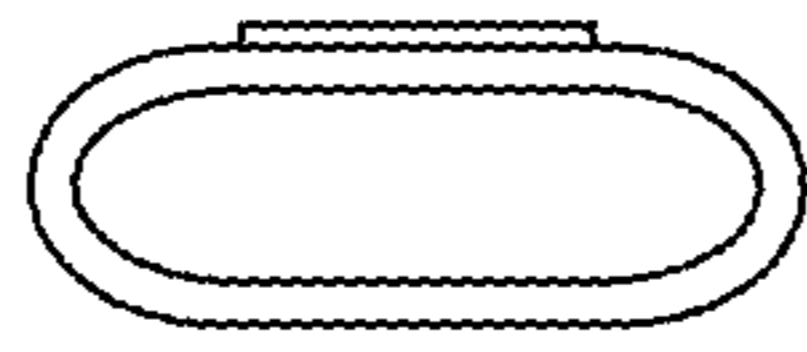


FIG. 6

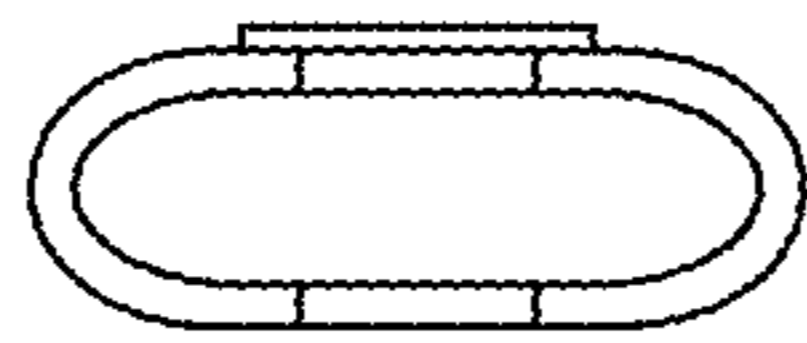


FIG. 7