



US00D687611S

(12) **United States Design Patent**
MacLean

(10) **Patent No.:** **US D687,611 S**
(45) **Date of Patent:** **** Aug. 6, 2013**

- (54) **GARMENT CINCHING DEVICE**
- (75) Inventor: **Amy R. MacLean**, Hartland, WI (US)
- (73) Assignee: **Loopteeloo LLC**, Hartland, WI (US)
- (**) Term: **14 Years**
- (21) Appl. No.: **29/419,268**
- (22) Filed: **Apr. 26, 2012**

Related U.S. Application Data

- (63) Continuation of application No. 29/342,130, filed on Aug. 19, 2009, now abandoned, and a continuation of application No. 12/543,603, filed on Aug. 19, 2009, now abandoned.
- (51) **LOC (9) Cl.** **07-05**
- (52) **U.S. Cl.**
USPC **D32/61**
- (58) **Field of Classification Search**
USPC D6/546, 515; D34/10; D32/35; D3/201;
D2/869; 24/30.5 S, 16 PB; 220/495.11
See application file for complete search history.

(56) **References Cited**

U.S. PATENT DOCUMENTS

1,086,200	A	2/1914	Michie	
3,170,213	A	2/1965	Thomas, Jr.	
3,357,070	A	12/1967	Sloan	
D231,310	S	4/1974	Burgher	
3,820,200	A	6/1974	Myers	
4,267,995	A *	5/1981	McMillan	248/74.1
4,357,740	A *	11/1982	Brown	24/30.5 S
4,570,304	A *	2/1986	Montreuil et al.	24/30.5 S
4,631,783	A *	12/1986	Hayashi	24/16 PB
4,644,610	A *	2/1987	Fish	24/30.5 S
4,697,312	A *	10/1987	Freyer	24/30.5 S
4,914,789	A *	4/1990	Pedersen	24/30.5 S
D310,897	S	9/1990	Bell	

5,005,218	A	4/1991	Ganz	
5,016,575	A	5/1991	Gordon	
D319,903	S	9/1991	Barner	
5,205,530	A	4/1993	Fish	
D343,752	S *	2/1994	Corbin	D6/546
5,381,588	A	1/1995	Nelson	
5,511,289	A	4/1996	Melia	
D371,455	S *	7/1996	Ronson et al.	D3/201
D374,758	S	10/1996	Armenta et al.	
5,695,088	A *	12/1997	Kasbohm	220/495.11
5,735,736	A	4/1998	Volk	
5,765,232	A	6/1998	Pryor	
5,940,942	A	8/1999	Fong	
6,161,263	A	12/2000	Anderson	
D435,957	S *	1/2001	Kenefake	D2/869
D436,517	S	1/2001	Barry	
D445,980	S	7/2001	Tjugum	

(Continued)

OTHER PUBLICATIONS

80stees.com, 80s Tee Shirt Clip Set, product: CSTM031, available online at: <<http://www.80stees.com/products/80sStyle-Tee-Shirt-Clips.asp>>, at least as early as Dec. 6, 2008.

Primary Examiner — Austin Murphy

(74) *Attorney, Agent, or Firm* — Michael Best & Friedrich LLP

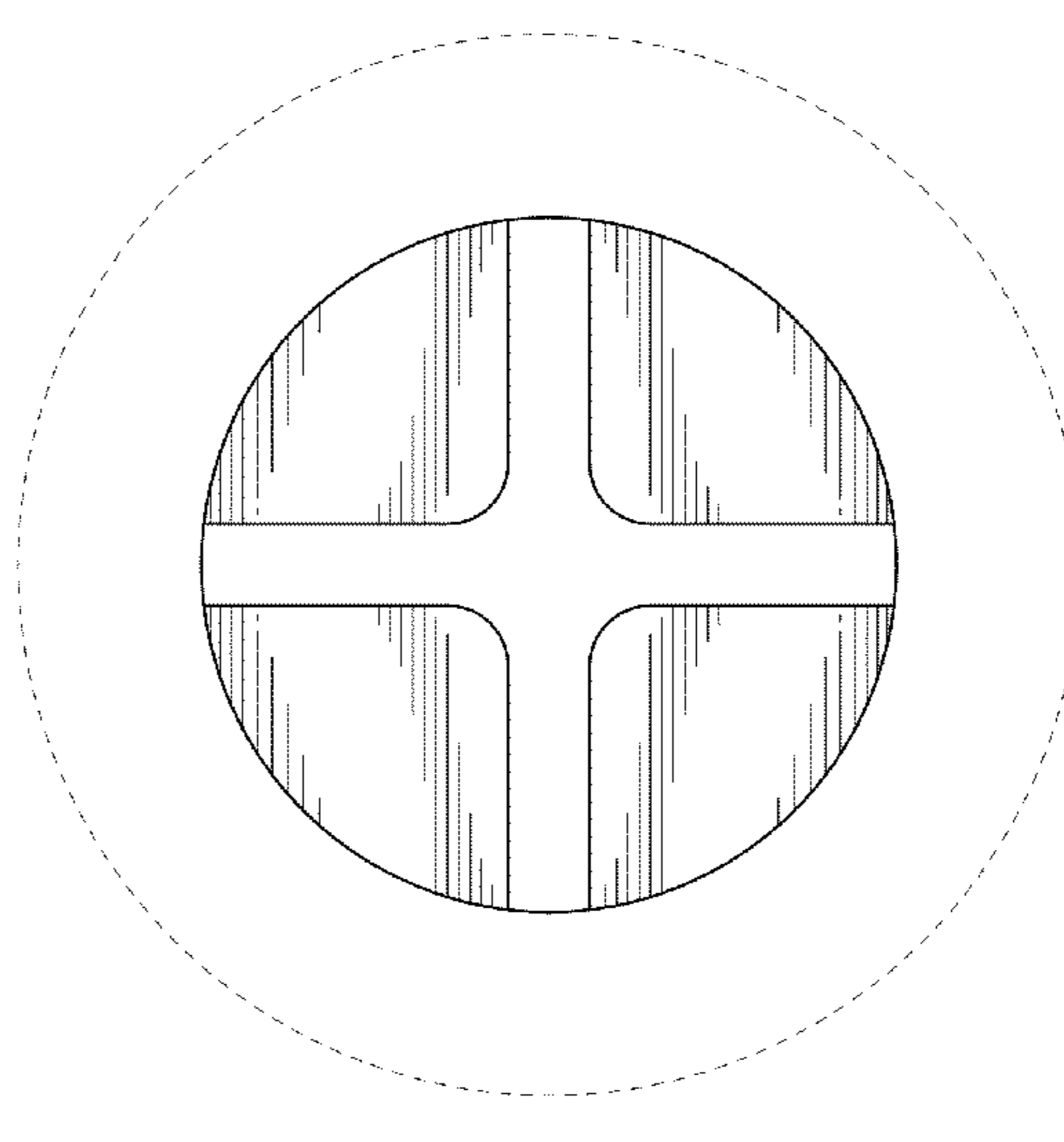
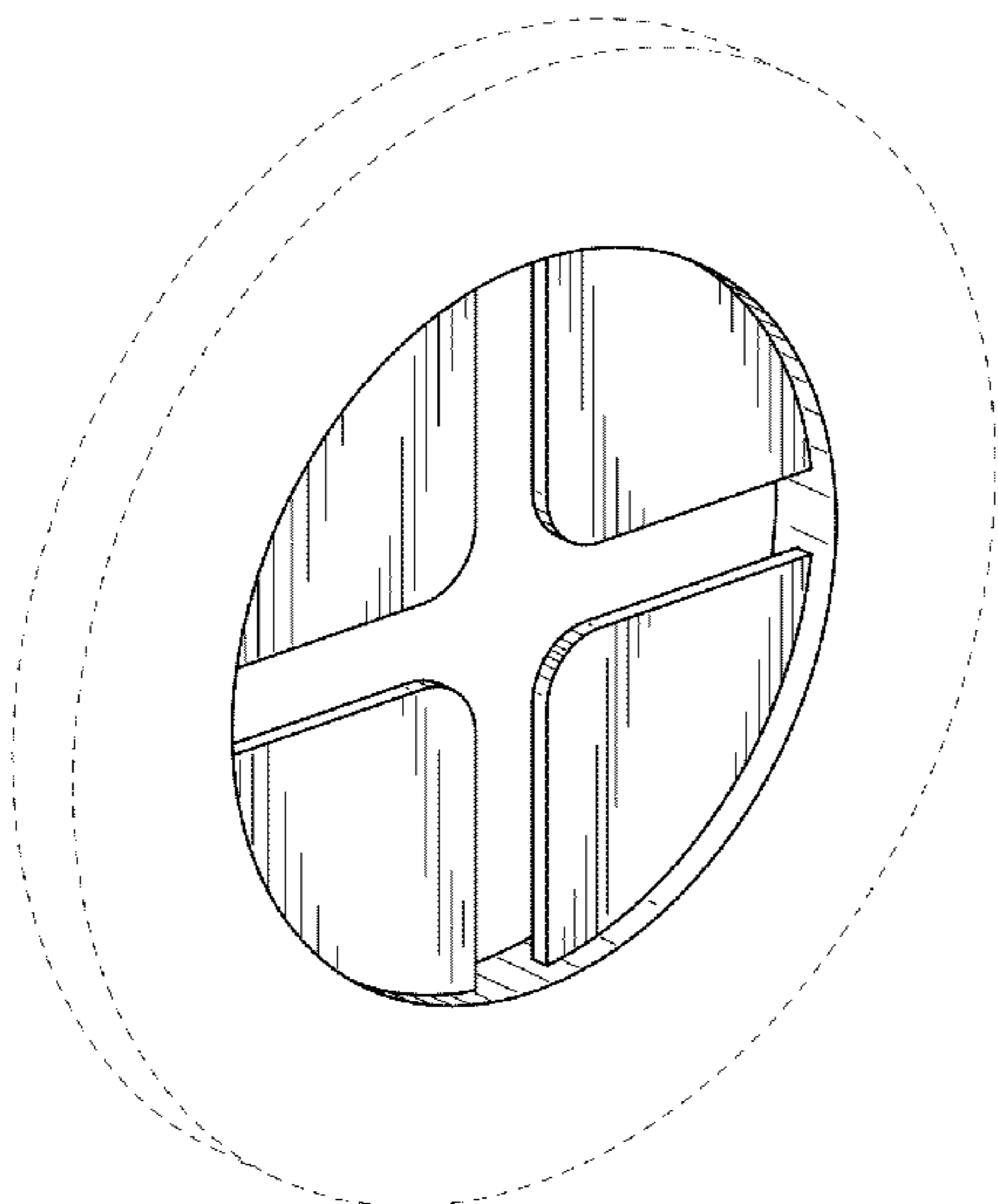
(57) **CLAIM**

I claim the ornamental design for a garment cinching device, as shown and described.

DESCRIPTION

FIG. 1 is a perspective view of the garment cinching device showing my new design; FIG. 2 is a top plan view thereof, the bottom being a mirror image; and, FIG. 3 is a side elevational view thereof. The broken lines shown in the drawings are for illustrative purposes only and form no part of the claimed design.

1 Claim, 2 Drawing Sheets



US D687,611 S

Page 2

U.S. PATENT DOCUMENTS								
D490,216	S	5/2004	Powell	D590,577	S	4/2009	Bruno	
6,857,935	B1	2/2005	Dohan	D611,217	S *	3/2010	Bizzell et al. D34/10
D513,471	S	1/2006	Sato et al.	7,677,525	B2 *	3/2010	Sanchez et al. 248/690
7,216,404	B1	5/2007	Doyle	7,845,112	B2 *	12/2010	Felknor 47/65.8
7,222,372	B1	5/2007	Bruckart et al.	D638,203	S	5/2011	Nehemiah et al.	
D552,691	S	10/2007	Tak	D666,853	S *	9/2012	Tunstall D6/515
D563,213	S	3/2008	Sato et al.	D668,011	S *	9/2012	Menton D32/35
D580,616	S *	11/2008	Bizzell et al.	D34/10			

* cited by examiner

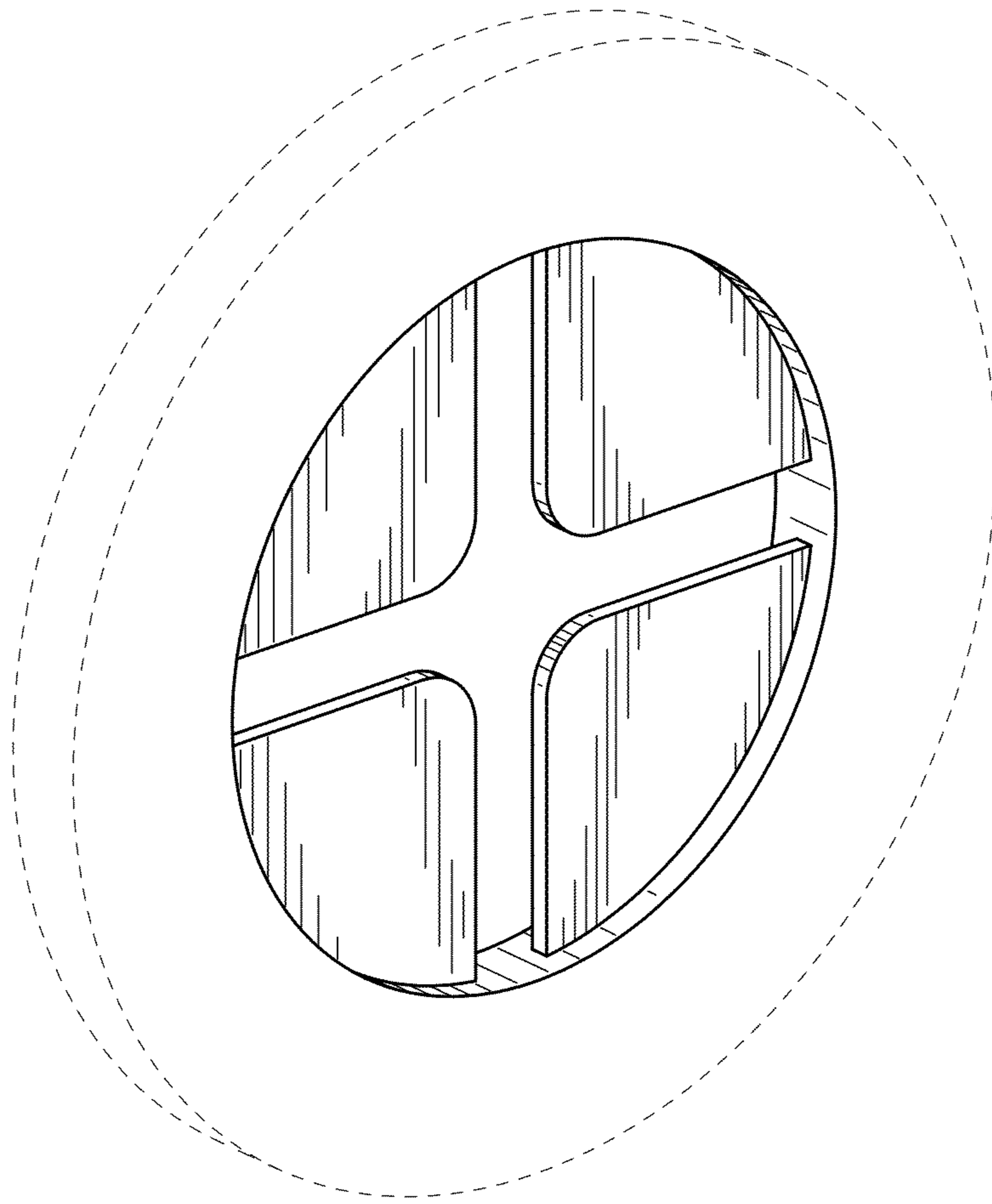


FIG. 1



FIG. 3

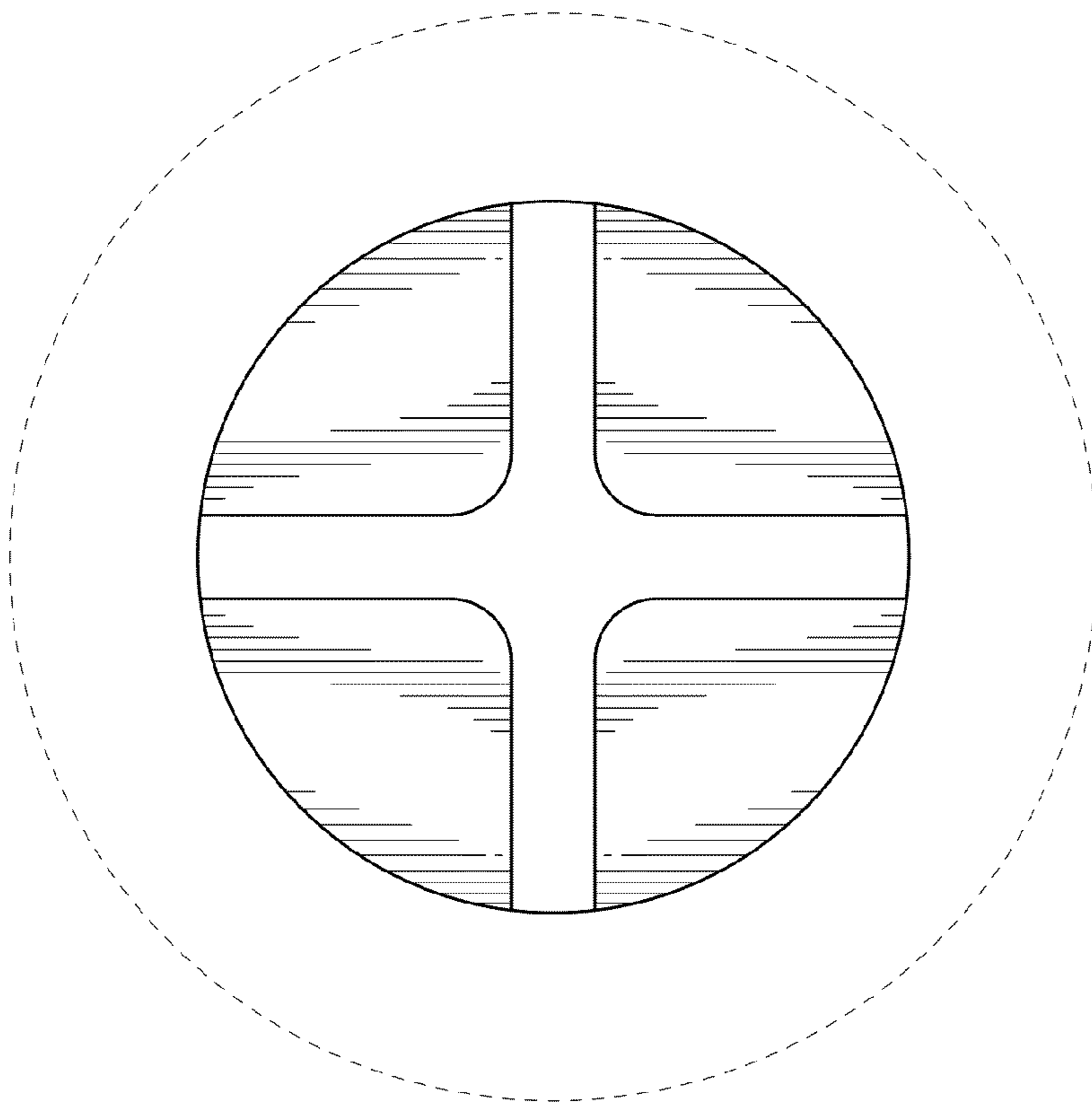


FIG. 2