



US00D687607S

(12) **United States Design Patent**
Yueh

(10) **Patent No.:** **US D687,607 S**

(45) **Date of Patent:** **** Aug. 6, 2013**

(54) **VACUUM CLEANER**

(75) Inventor: **Chin-Huei Yueh**, Taipei (TW)

(73) Assignee: **Hannspree, Inc.**, New Taipei (TW)

(**) Term: **14 Years**

(21) Appl. No.: **29/429,510**

(22) Filed: **Aug. 13, 2012**

(51) **LOC (9) Cl.** **15-05**

(52) **U.S. Cl.**
USPC **D32/21**

(58) **Field of Classification Search**
USPC D32/18, 21-24, 31; 15/320-321,
15/327.1-327.2, 327.4, 327.6-327.7, 257.01,
15/323, 329, 344, 347, 353, 412; 55/337,
55/429, 345; 95/271; D21/360, 659, 597;
D11/158; 446/71-72, 97, 279, 369
See application file for complete search history.

(56) **References Cited**

U.S. PATENT DOCUMENTS

D243,032 S *	1/1977	Hodges	D11/149
D246,396 S *	11/1977	Saito	D21/590
D256,599 S *	8/1980	D'Aguanno	D21/576
D287,523 S *	12/1986	Sato	D21/576
D317,476 S *	6/1991	Stephensen et al.	D21/576
D318,154 S *	7/1991	Wen	D32/21

D338,290 S *	8/1993	Bart	D32/18
D338,752 S *	8/1993	Bart	D32/18
D358,739 S *	5/1995	Brown et al.	D7/544
D382,384 S *	8/1997	Jones	D32/18
D456,573 S *	4/2002	Ancona et al.	D32/18
D530,465 S *	10/2006	Busschaert et al.	D32/18
2008/0045120 A1 *	2/2008	Moon et al.	446/369

* cited by examiner

Primary Examiner — Ruth McInroy

(74) *Attorney, Agent, or Firm* — Bacon & Thomas, PLLC

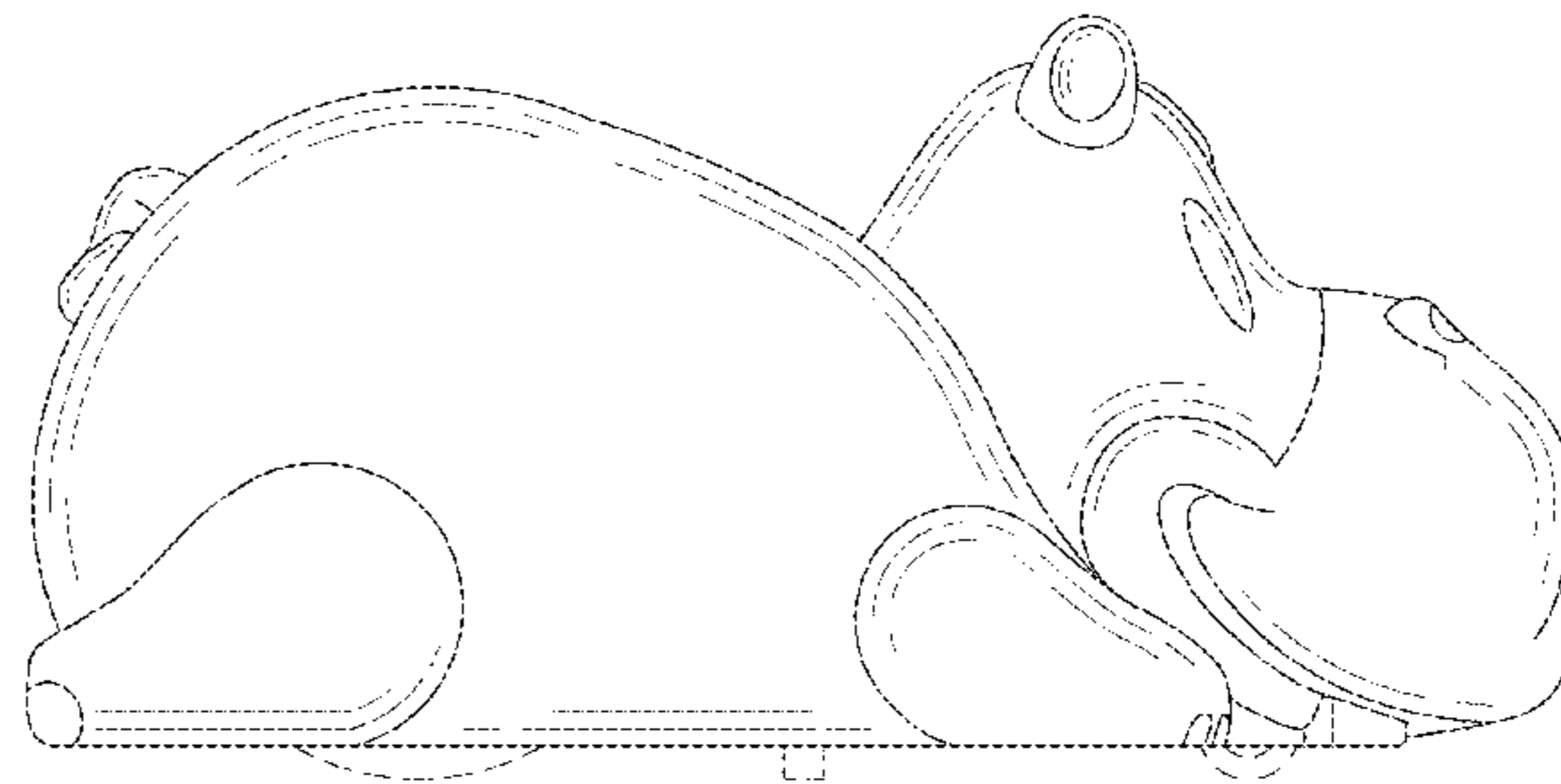
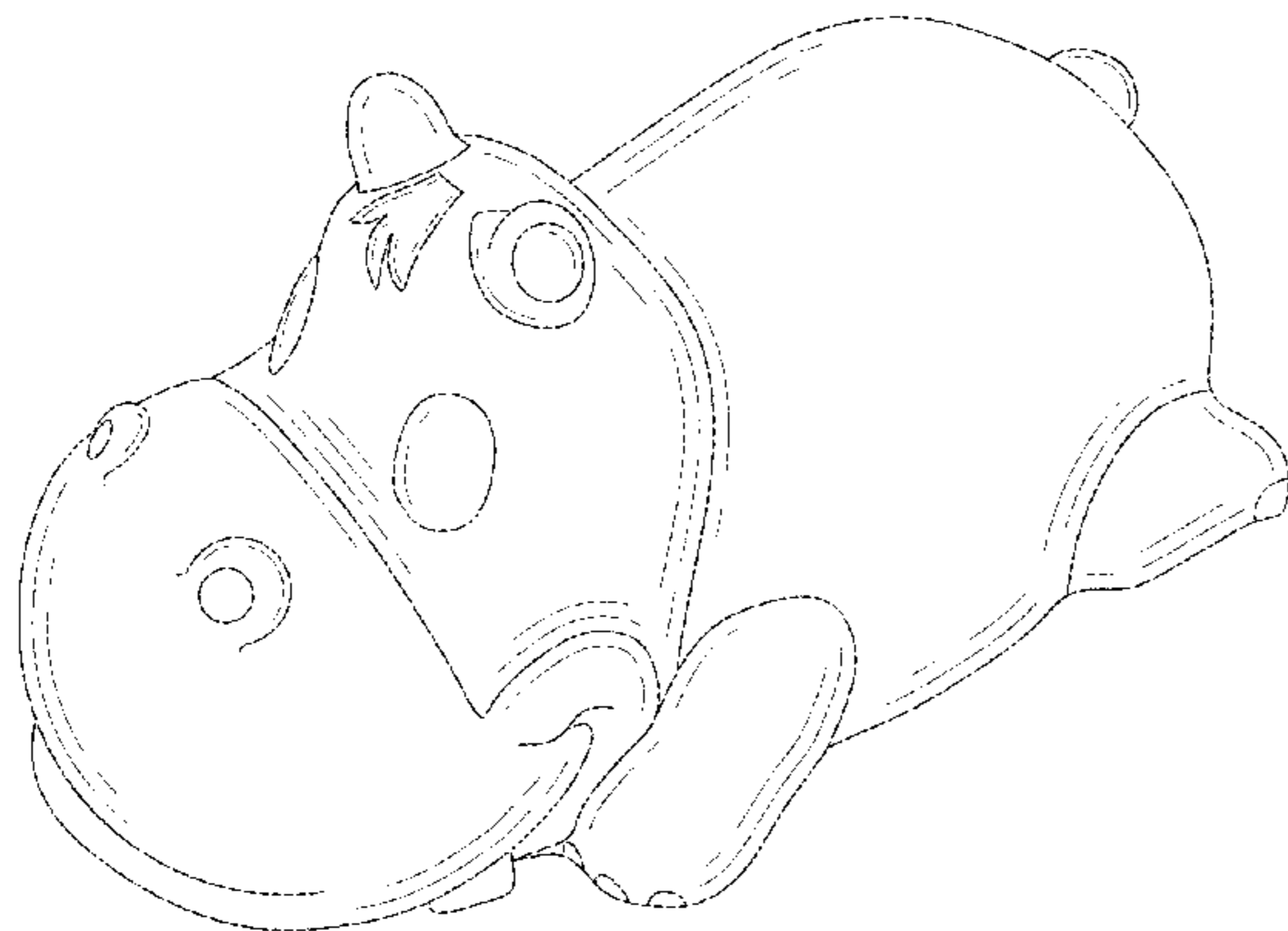
(57) **CLAIM**

The ornamental design for a vacuum cleaner, as shown and described.

DESCRIPTION

FIG. 1 is a perspective view of a vacuum cleaner showing my new design;
FIG. 2 is a front elevational view thereof;
FIG. 3 is a rear elevational view thereof;
FIG. 4 is a left side elevational view thereof;
FIG. 5 is a right side elevational view thereof;
FIG. 6 is a top plan view thereof;
FIG. 7 is a bottom plan view thereof; and,
FIG. 8 is a rear perspective view thereof.
The details shown in broken lines form no part of the claimed design.

1 Claim, 8 Drawing Sheets



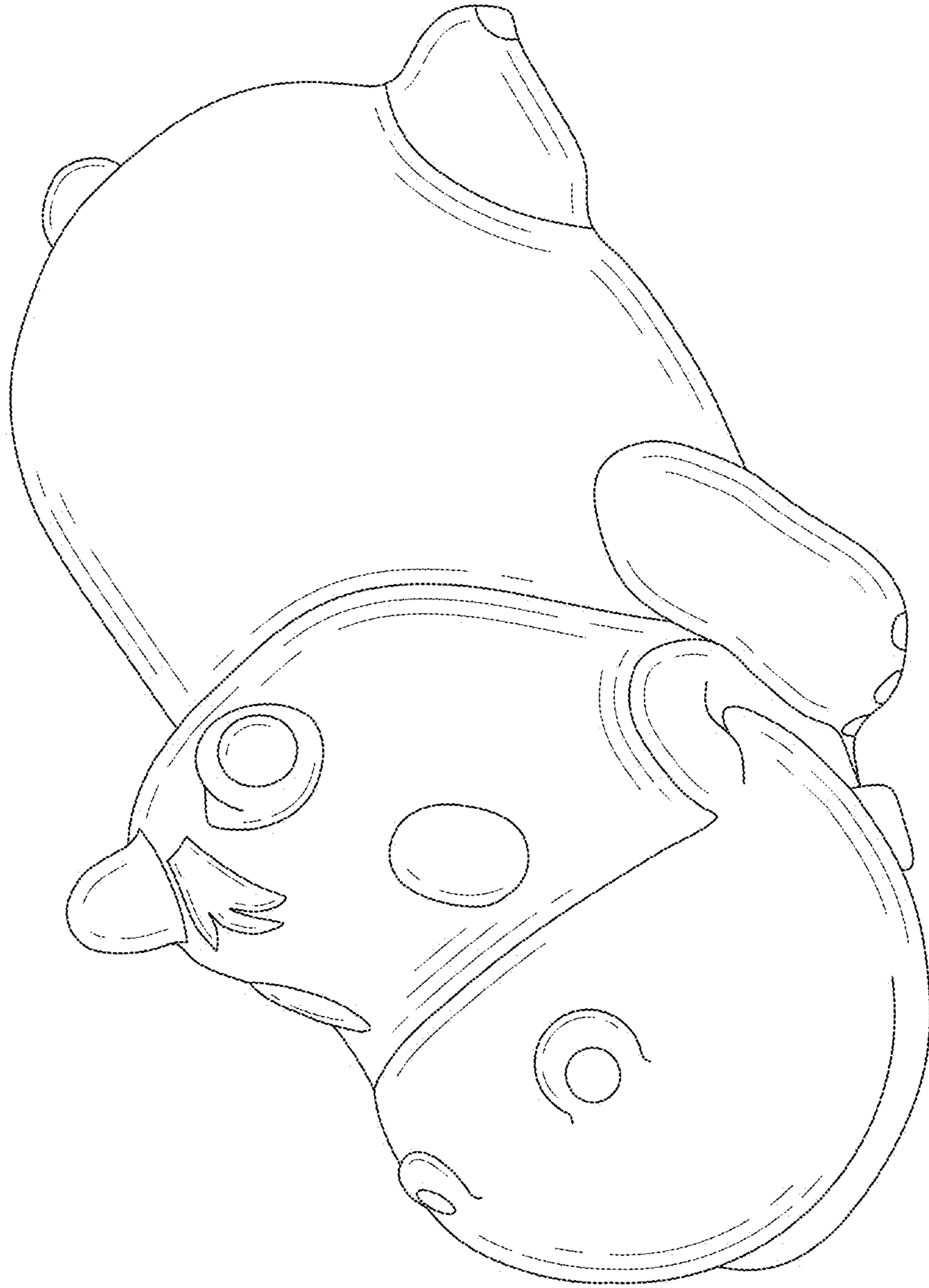


FIG. 1

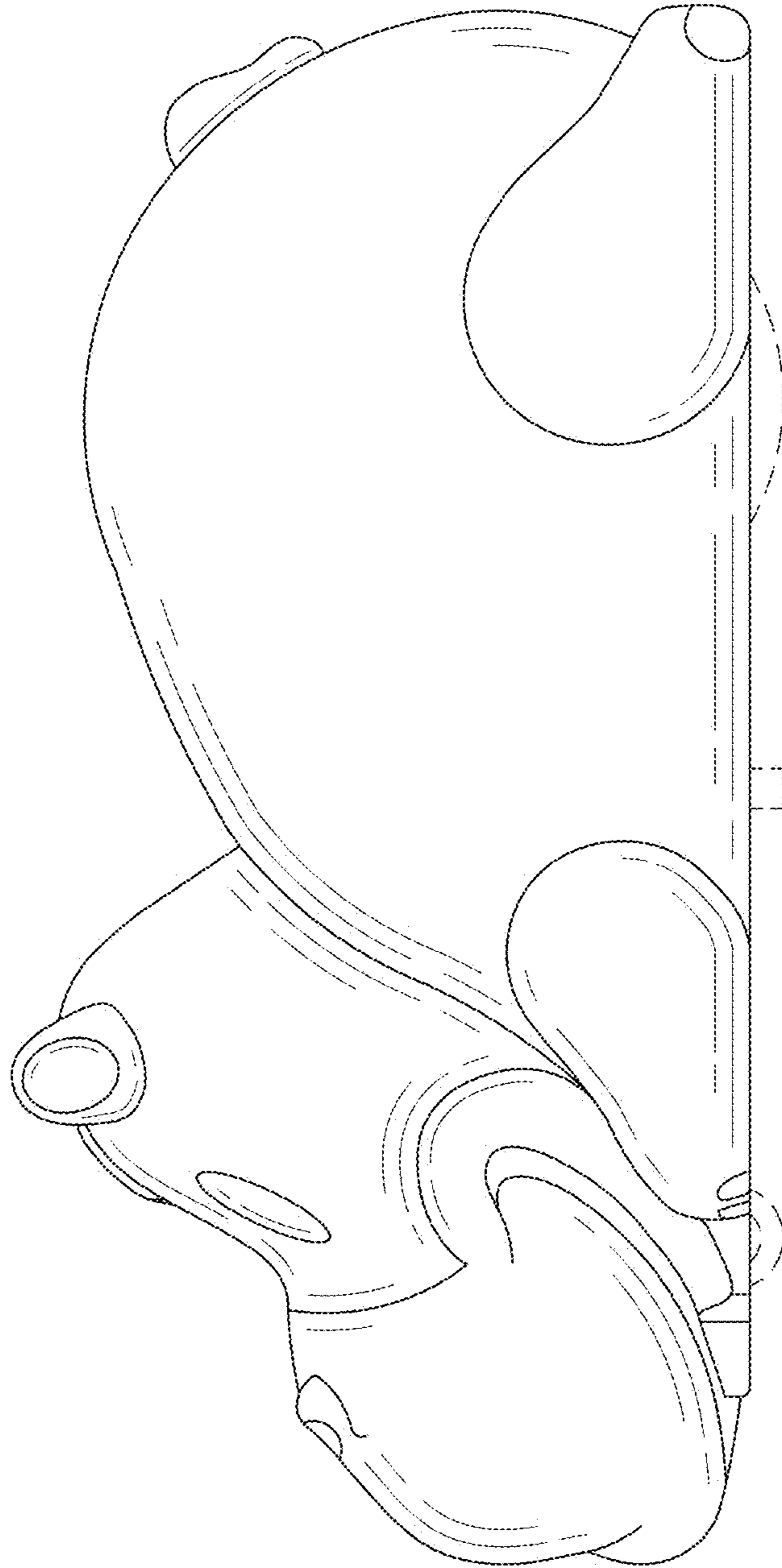


FIG. 2

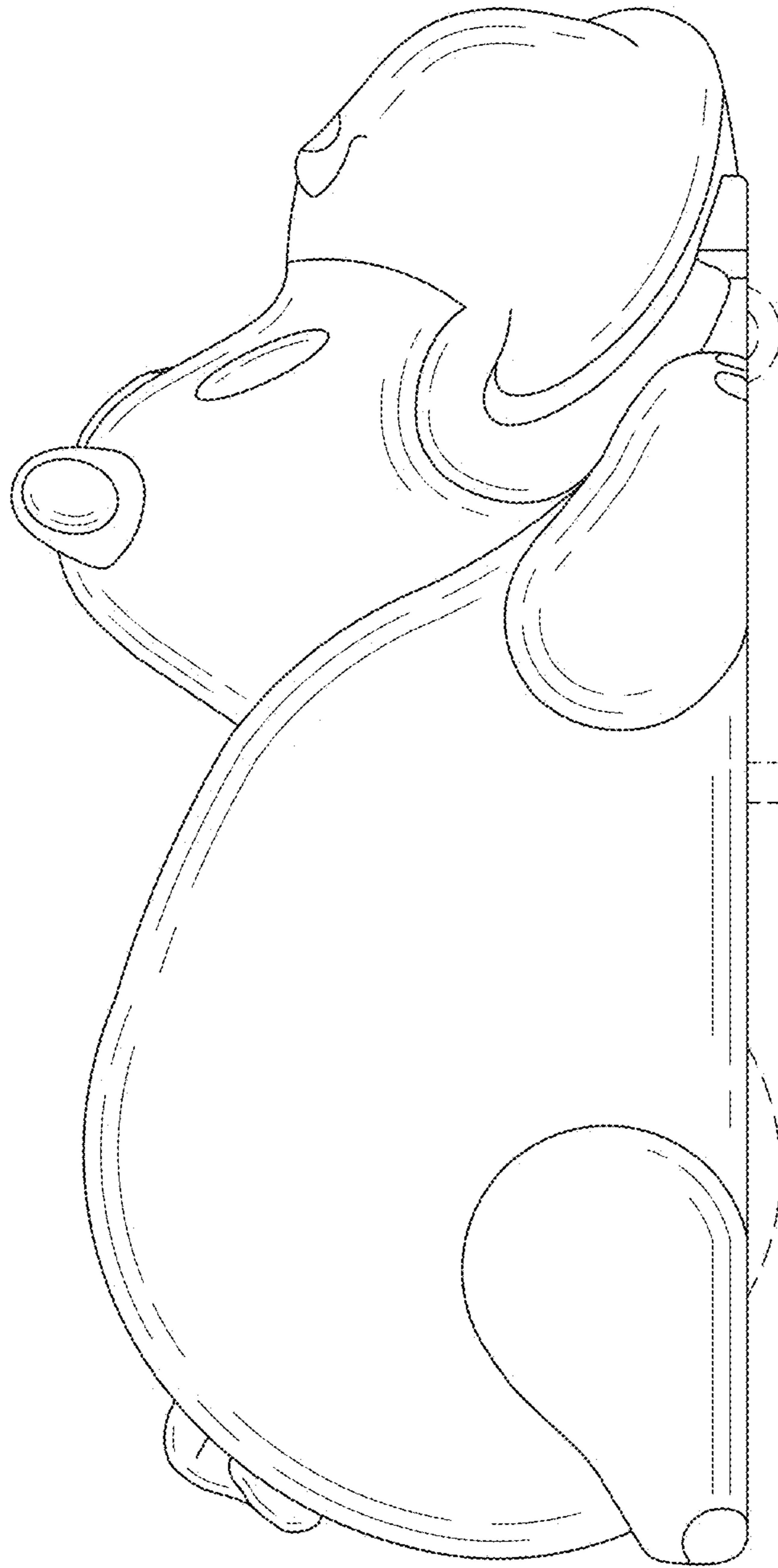


FIG. 3

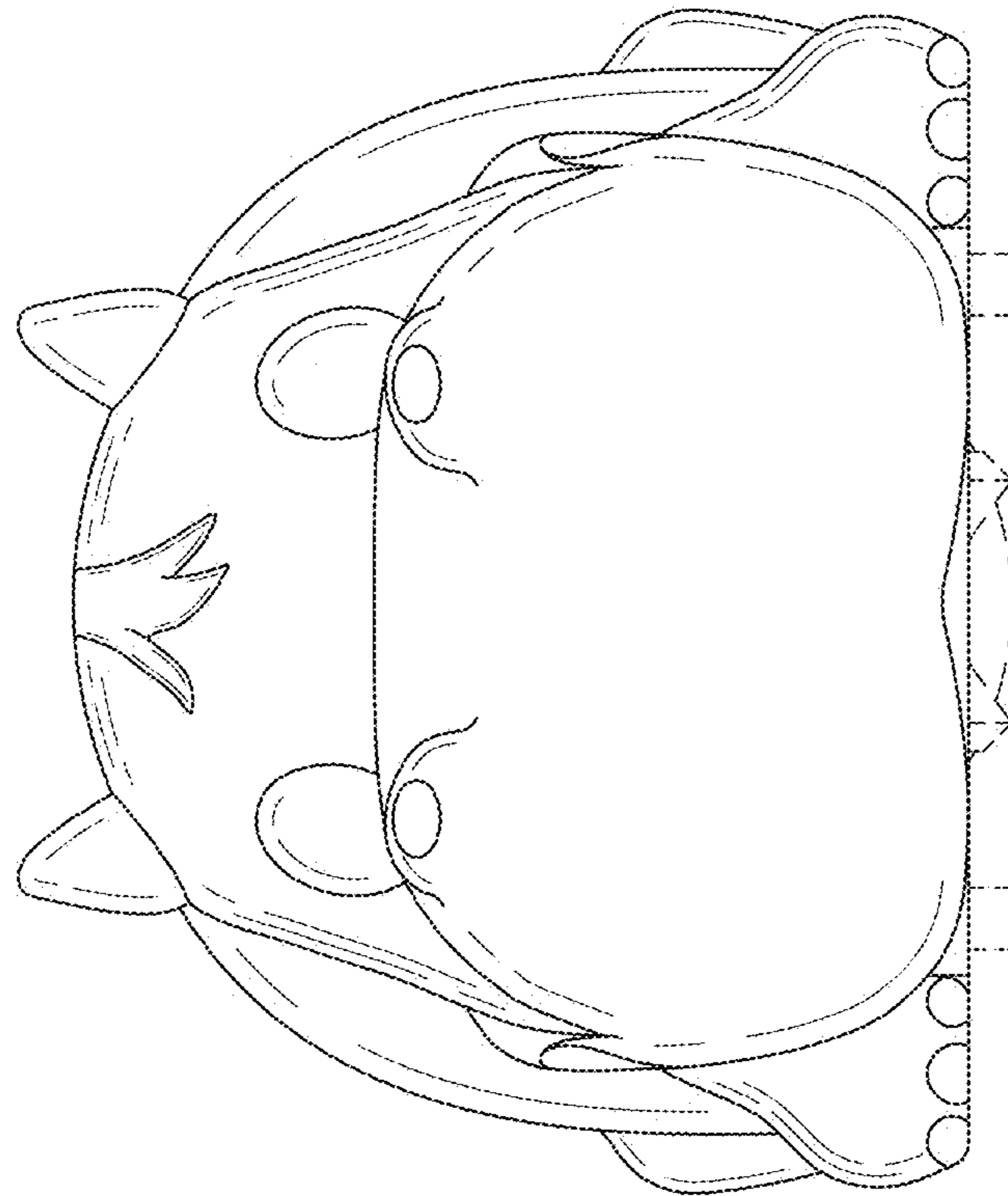


FIG. 4

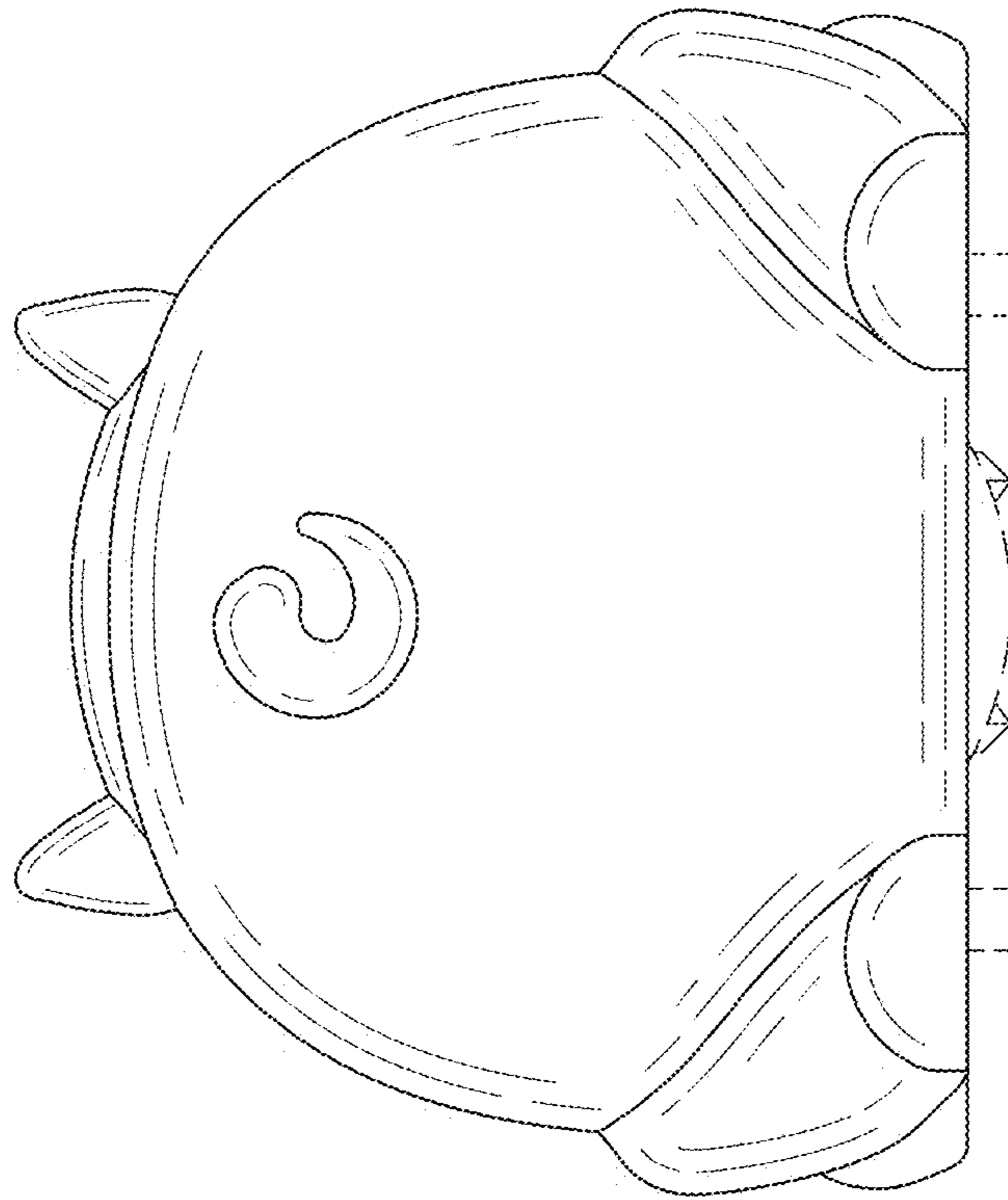


FIG. 5

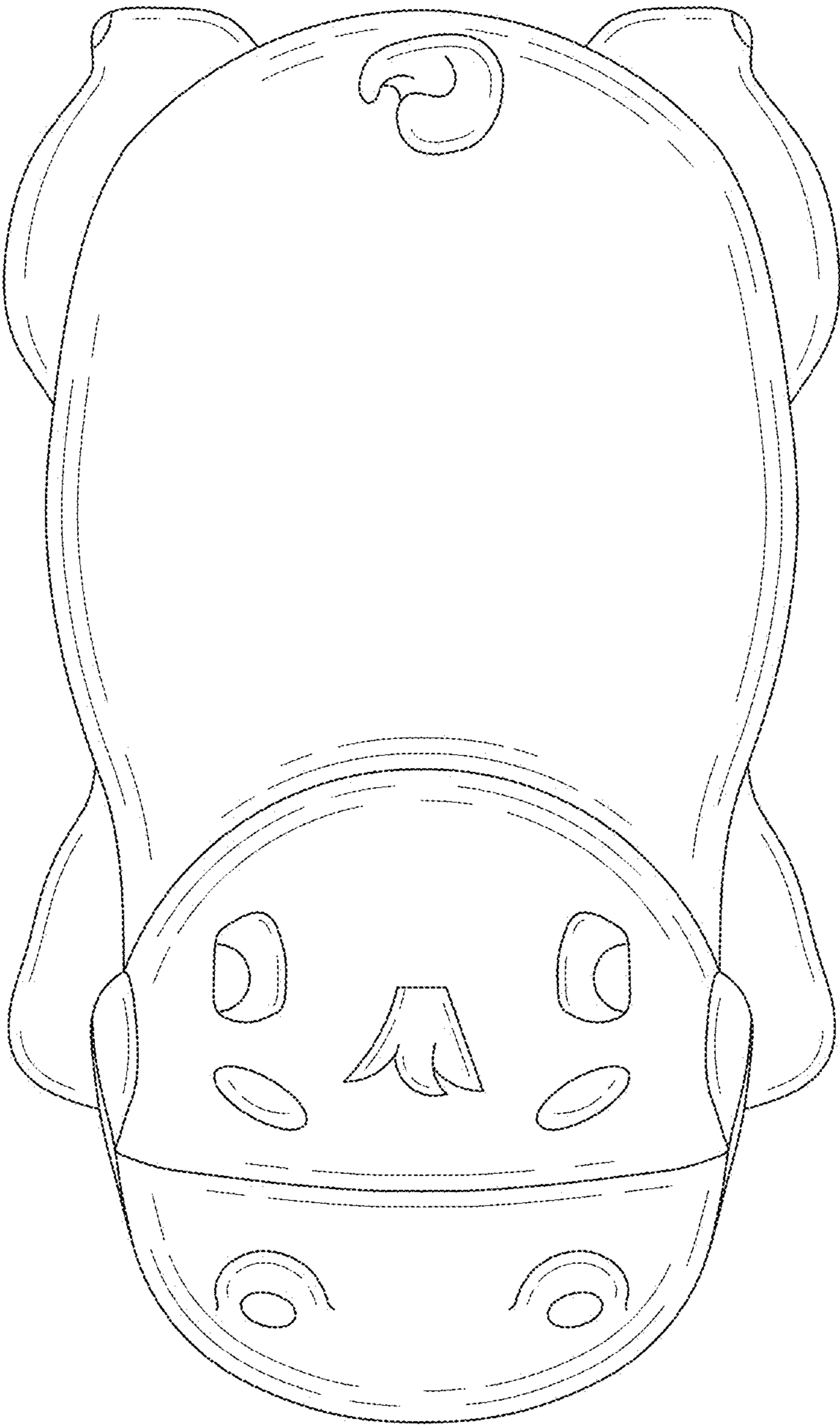


FIG. 6

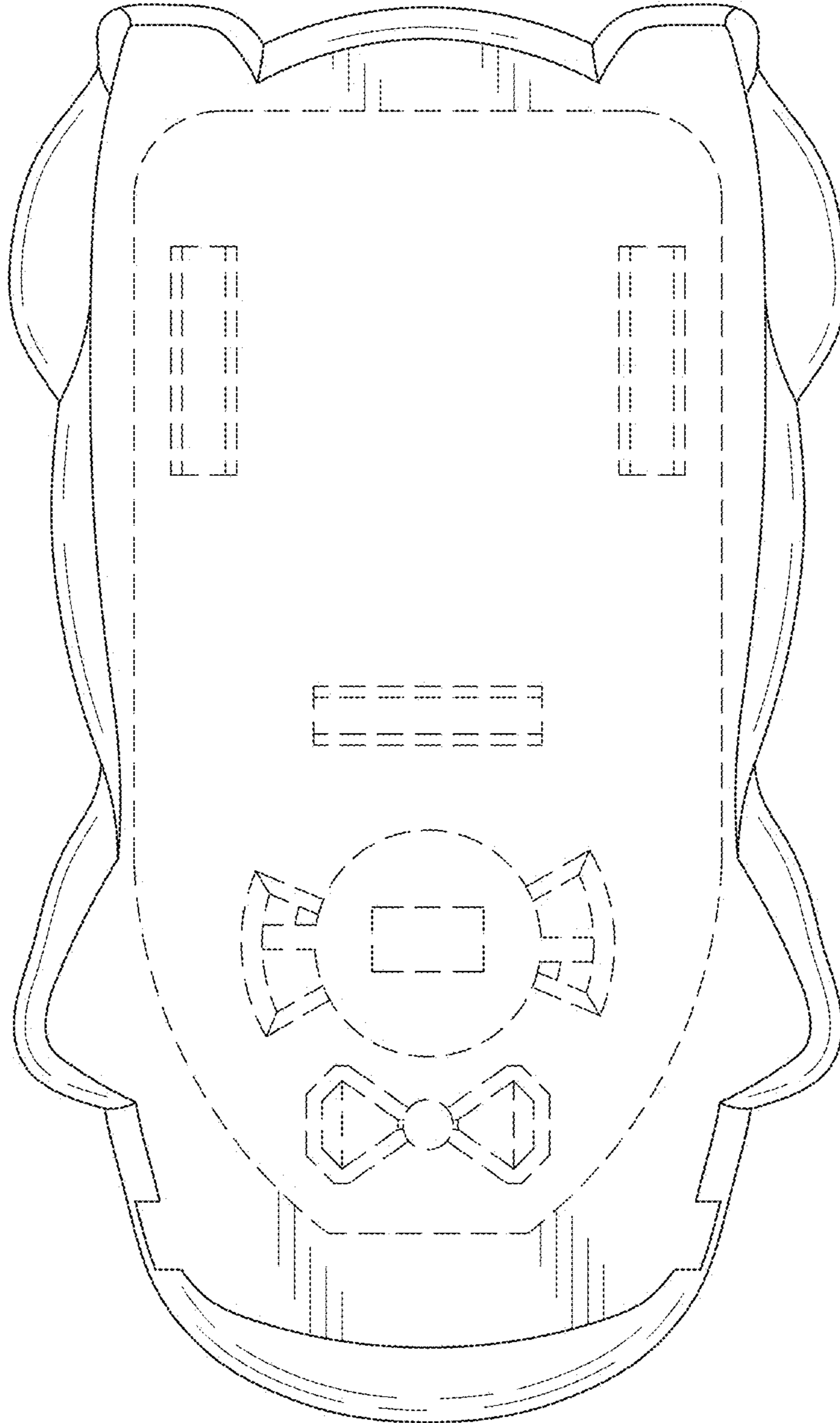


FIG. 7

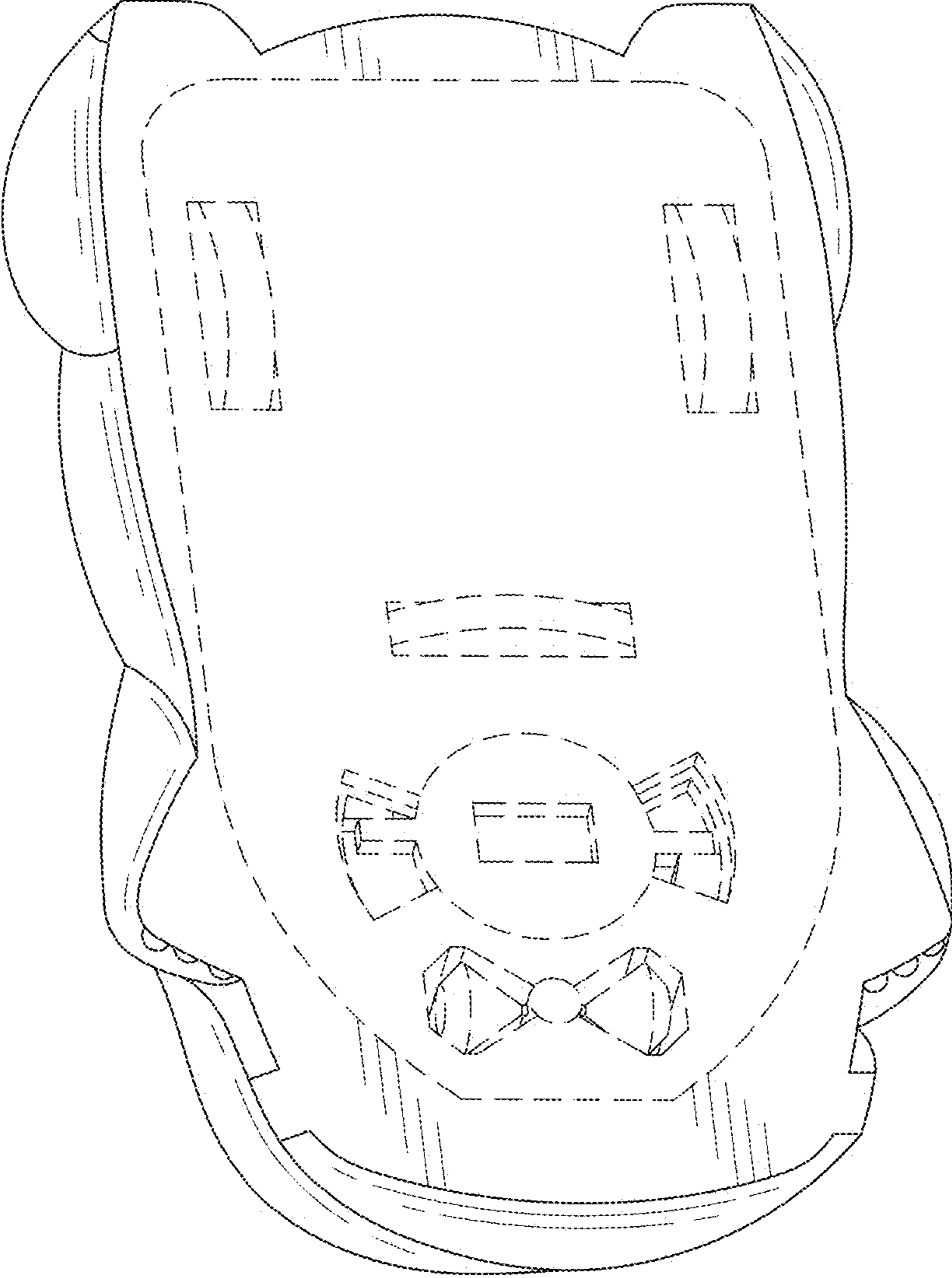


FIG. 8