



US00D687603S

(12) **United States Design Patent**  
**Chen et al.**

(10) **Patent No.:** **US D687,603 S**

(45) **Date of Patent:** **\*\* Aug. 6, 2013**

(54) **COSMETIC CONTAINER**

(75) Inventors: **I-Ming Chen**, Tainan (TW); **Hsuan-Yu Chen**, Tainan (TW)

(73) Assignee: **Tair Jih Enterprise Co., Ltd.**, Tainan (TW)

(\*\*) Term: **14 Years**

(21) Appl. No.: **29/427,061**

(22) Filed: **Jul. 13, 2012**

(51) **LOC (9) Cl.** ..... **28-03**

(52) **U.S. Cl.**  
USPC ..... **D28/83**

(58) **Field of Classification Search**  
USPC ..... D28/76-84; 206/581, 823, 1.8;  
132/286-318, 320, 319; D19/35-36  
See application file for complete search history.

(56) **References Cited**

U.S. PATENT DOCUMENTS

4,951,692	A *	8/1990	Yuhara et al.	132/293
5,813,420	A *	9/1998	Sussman	132/294
D410,569	S *	6/1999	Morgan	D28/78
D468,868	S *	1/2003	Thorpe et al.	D28/83

D631,610	S *	1/2011	Barresi et al.	D28/83
D650,948	S *	12/2011	Barresi et al.	D28/83
2009/0255846	A1 *	10/2009	Pires et al.	206/581
2010/0031971	A1 *	2/2010	Ha	132/293
2012/0272997	A1 *	11/2012	Chen	132/316
2013/0015098	A1 *	1/2013	Chen	206/581

\* cited by examiner

*Primary Examiner* — Jennifer Rivard

(74) *Attorney, Agent, or Firm* — Whyte Hirschboeck Dudek S.C.

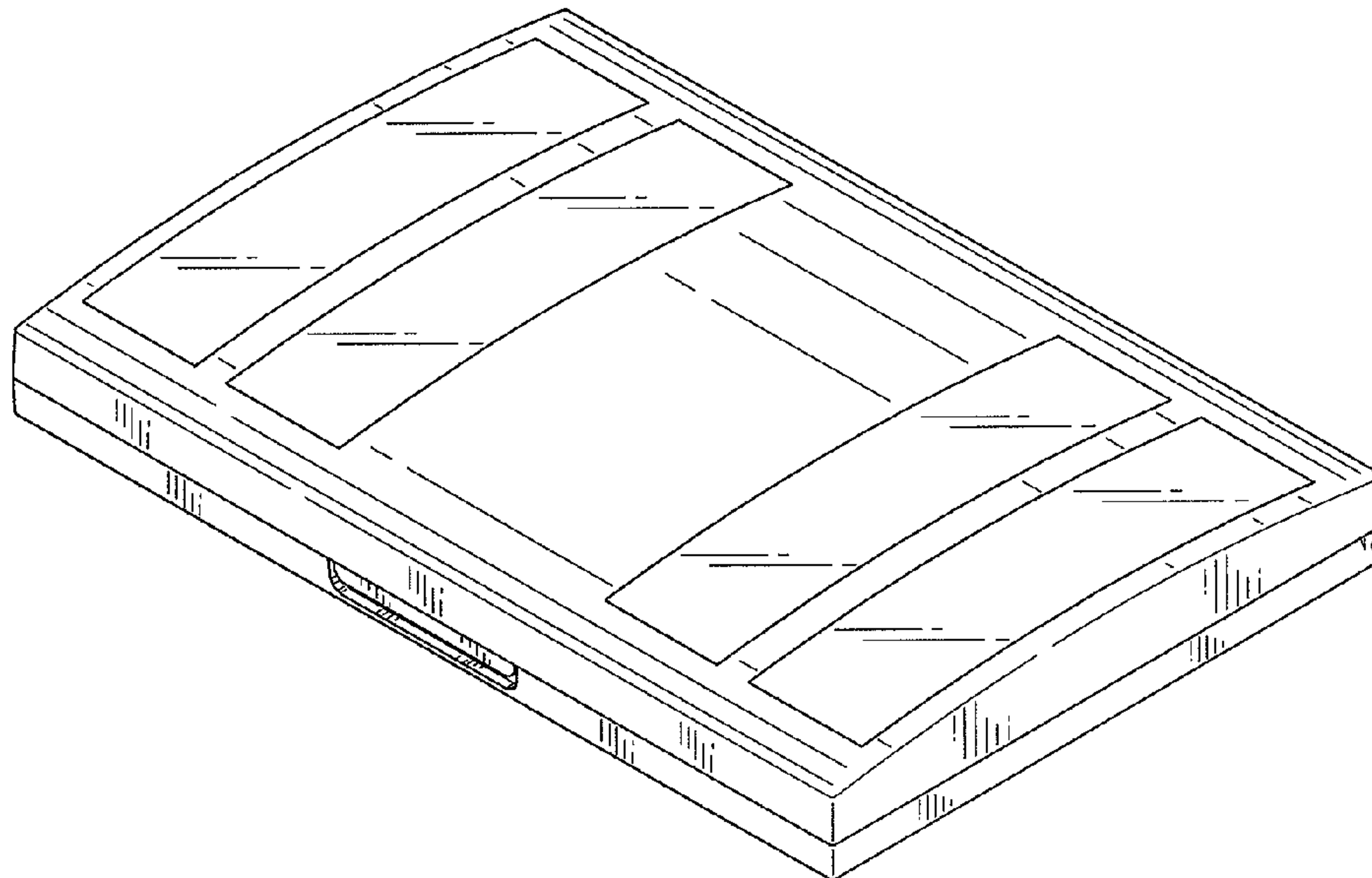
(57) **CLAIM**

The ornamental design for cosmetic container, as shown and described.

**DESCRIPTION**

FIG. 1 is a perspective view of cosmetic container showing my new design;  
FIG. 2 is a front elevational view thereof;  
FIG. 3 is a rear elevational view thereof;  
FIG. 4 is a left side elevational view thereof;  
FIG. 5 is a right side elevational view thereof;  
FIG. 6 is a top plan view thereof; and,  
FIG. 7 is a bottom plan view thereof.

**1 Claim, 4 Drawing Sheets**



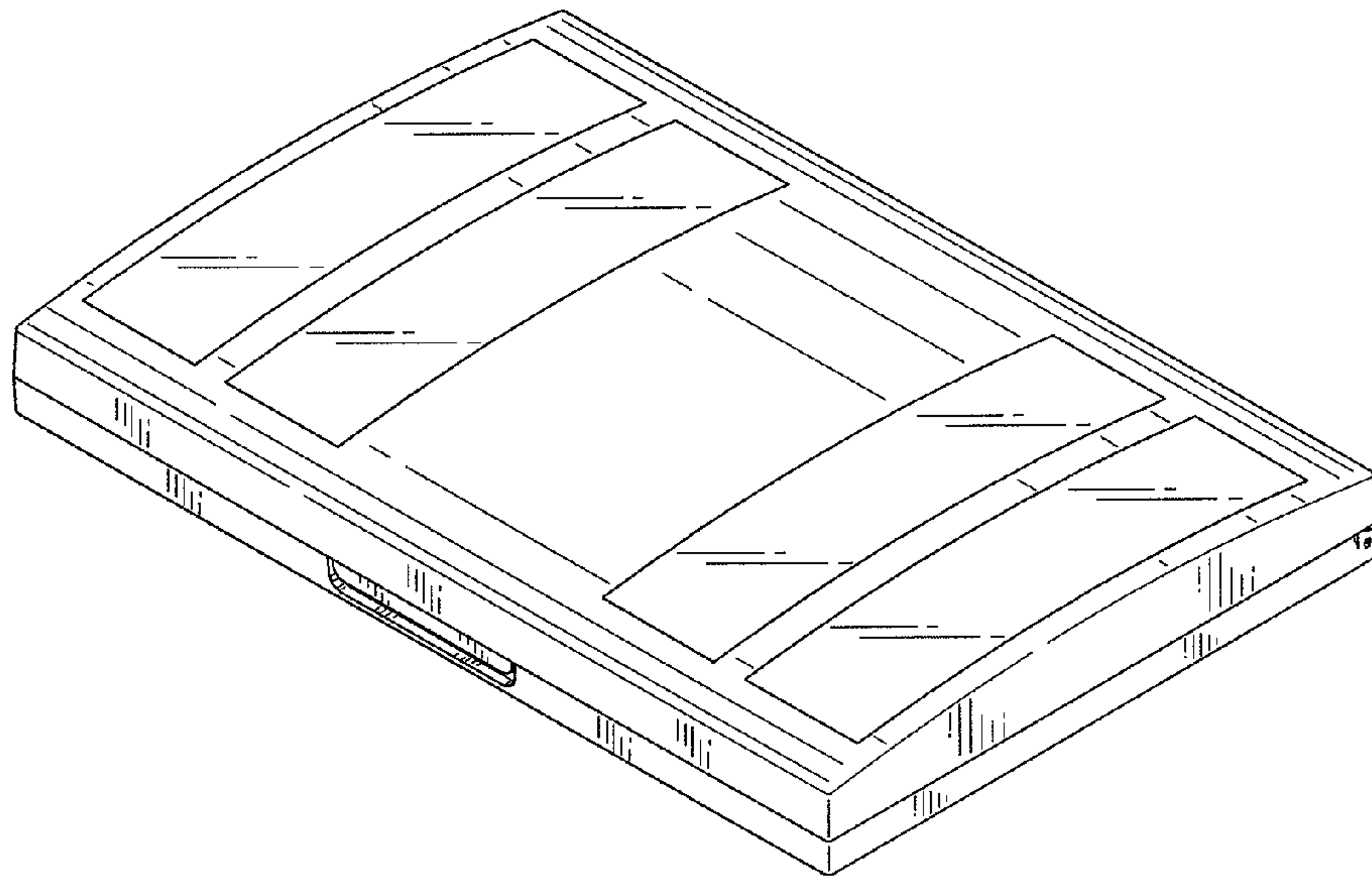


FIG. 1

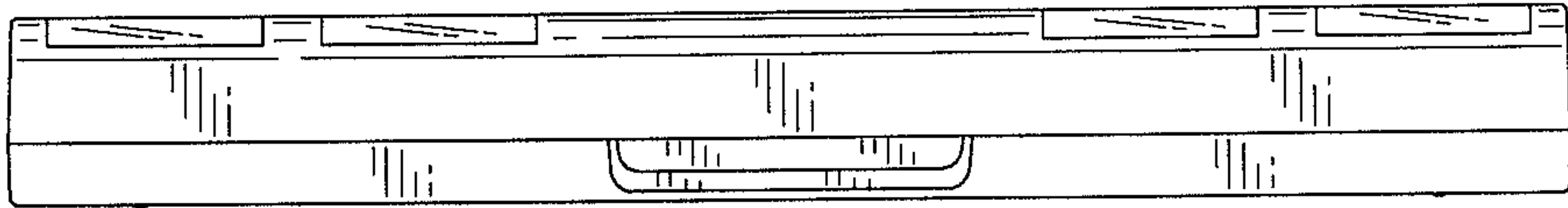


FIG. 2

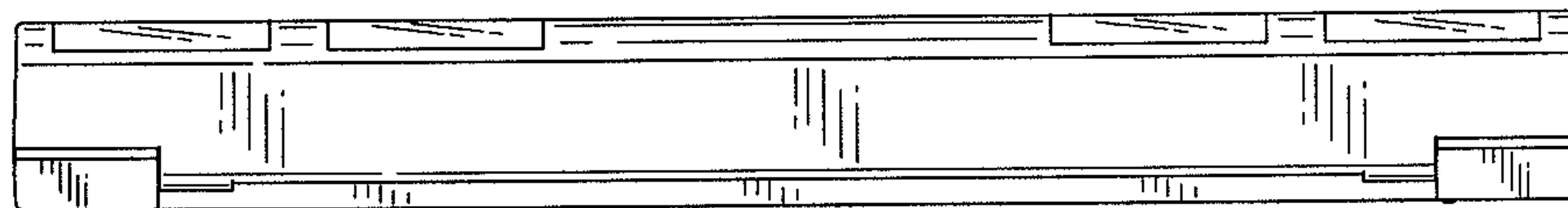


FIG. 3

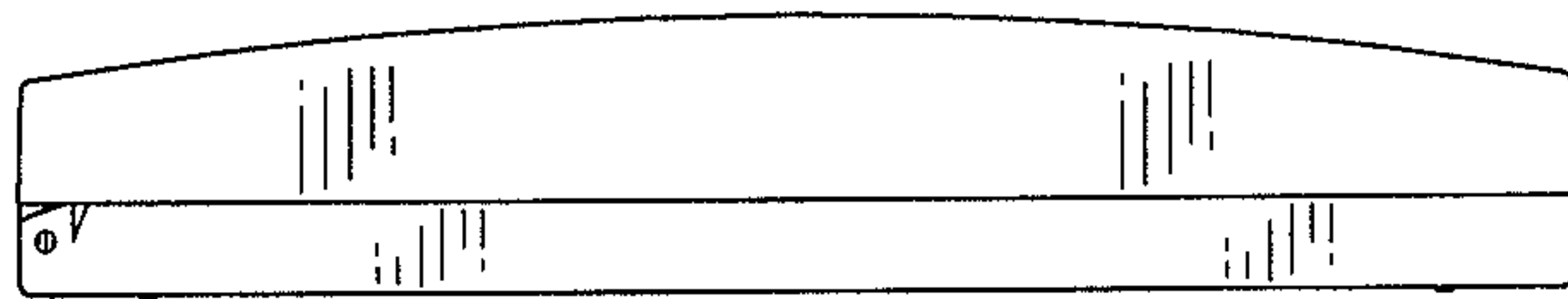


FIG. 4

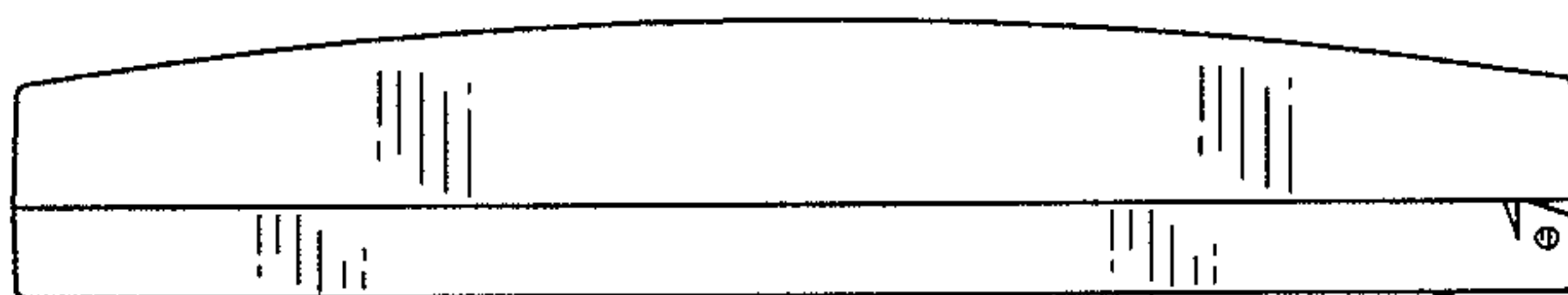


FIG. 5

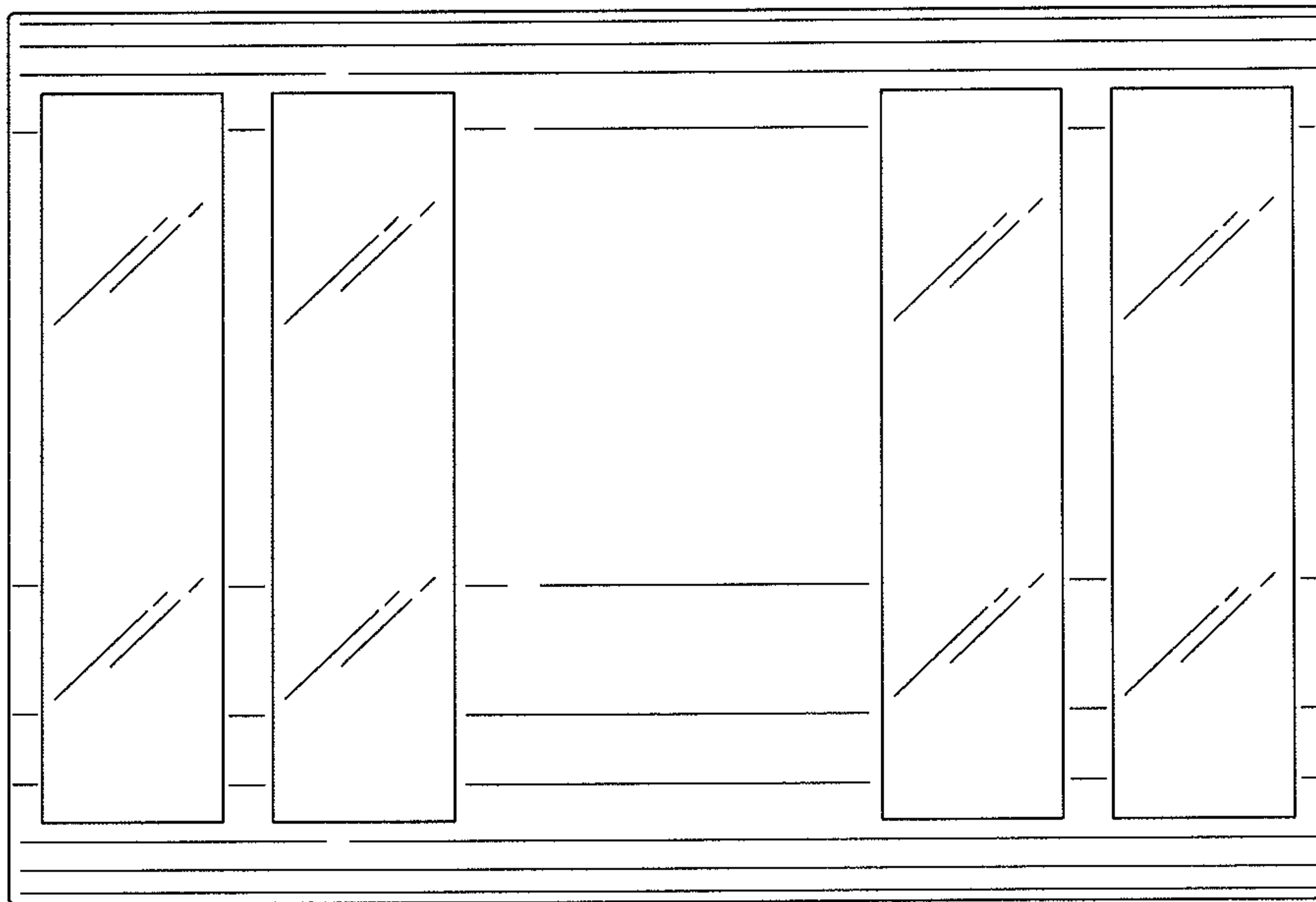


FIG. 6

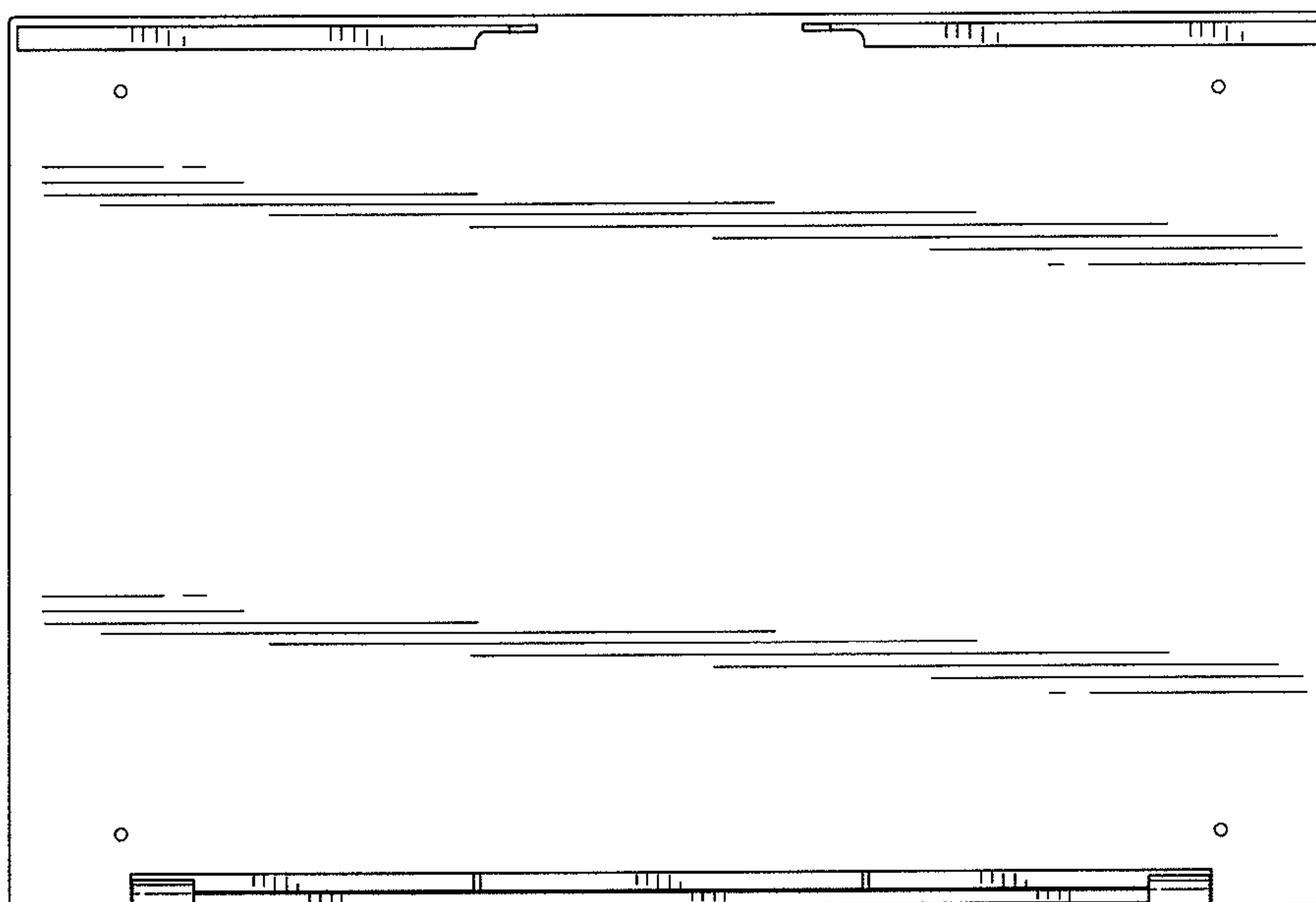


FIG. 7