



US00D687601S

(12) **United States Design Patent**  
**Ko**

(10) **Patent No.:** **US D687,601 S**

(45) **Date of Patent:** **\*\* Aug. 6, 2013**

(54) **COSMETIC CONTAINER**

(75) Inventor: **Hou-Ju Ko**, Taichung (TW)

(73) Assignee: **Tair Jih Enterprise Co., Ltd.**, Tainan (TW)

(\*\*) Term: **14 Years**

(21) Appl. No.: **29/432,258**

(22) Filed: **Sep. 14, 2012**

(51) **LOC (9) Cl.** ..... **28-03**

(52) **U.S. Cl.**  
USPC ..... **D28/77; D28/83**

(58) **Field of Classification Search**  
USPC ..... D28/76-84; 206/581, 823, 1.8;  
132/286-318, 320, 319; D19/35-36;  
D6/310-311

See application file for complete search history.

(56) **References Cited**

**U.S. PATENT DOCUMENTS**

5,163,456 A \* 11/1992 Lombardi, Jr. .... 132/103  
5,813,415 A \* 9/1998 Slali ..... 132/73

D428,208 S \* 7/2000 Nodarse ..... D28/77  
D439,019 S \* 3/2001 Motosko ..... D28/83  
7,614,756 B2 \* 11/2009 Yue ..... 132/304  
D627,931 S \* 11/2010 Barresi et al. .... D28/83  
D651,350 S \* 12/2011 Paquet et al. .... D28/83

\* cited by examiner

*Primary Examiner* — Jennifer Rivard

(74) *Attorney, Agent, or Firm* — Whyte Hirschboeck Dudek S.C.

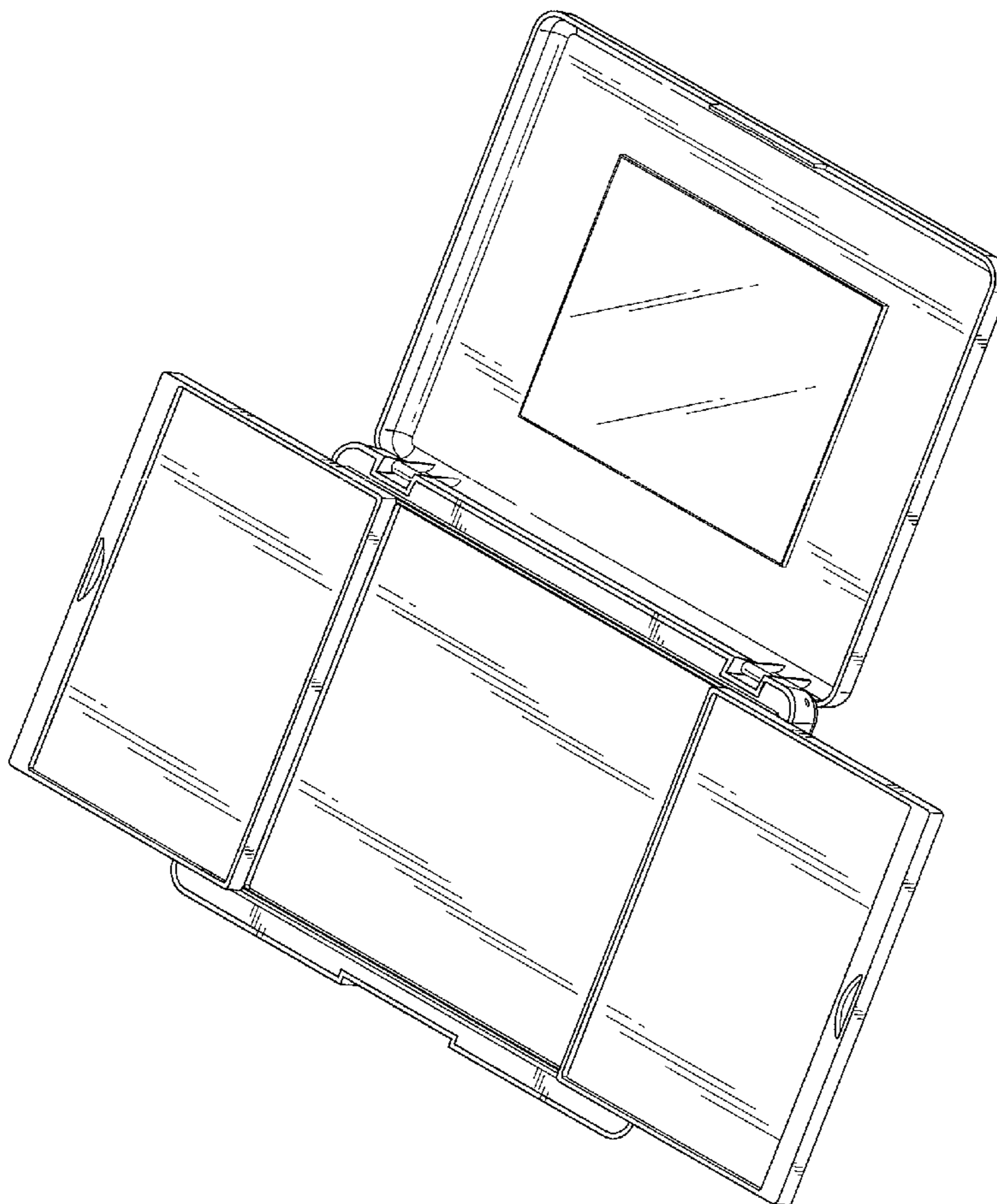
(57) **CLAIM**

The ornamental design for cosmetic container, as shown and described.

**DESCRIPTION**

FIG. 1 is a perspective view of cosmetic container showing my new design;  
FIG. 2 is a front elevational view thereof;  
FIG. 3 is a rear elevational view thereof;  
FIG. 4 is a left side elevational view thereof;  
FIG. 5 is a right side elevational view thereof;  
FIG. 6 is a top plan view thereof; and,  
FIG. 7 is a bottom plan view thereof.

**1 Claim, 6 Drawing Sheets**



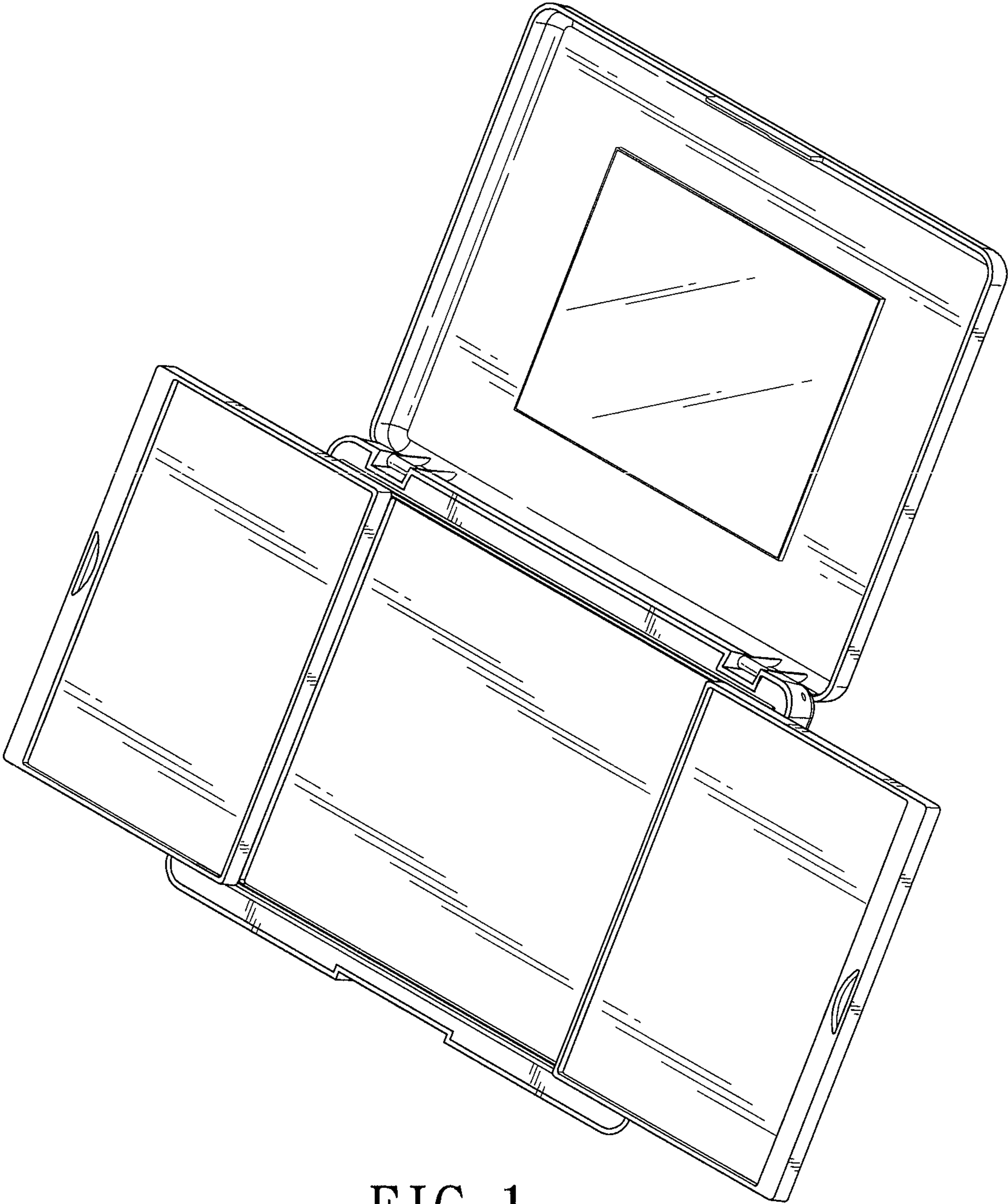


FIG. 1

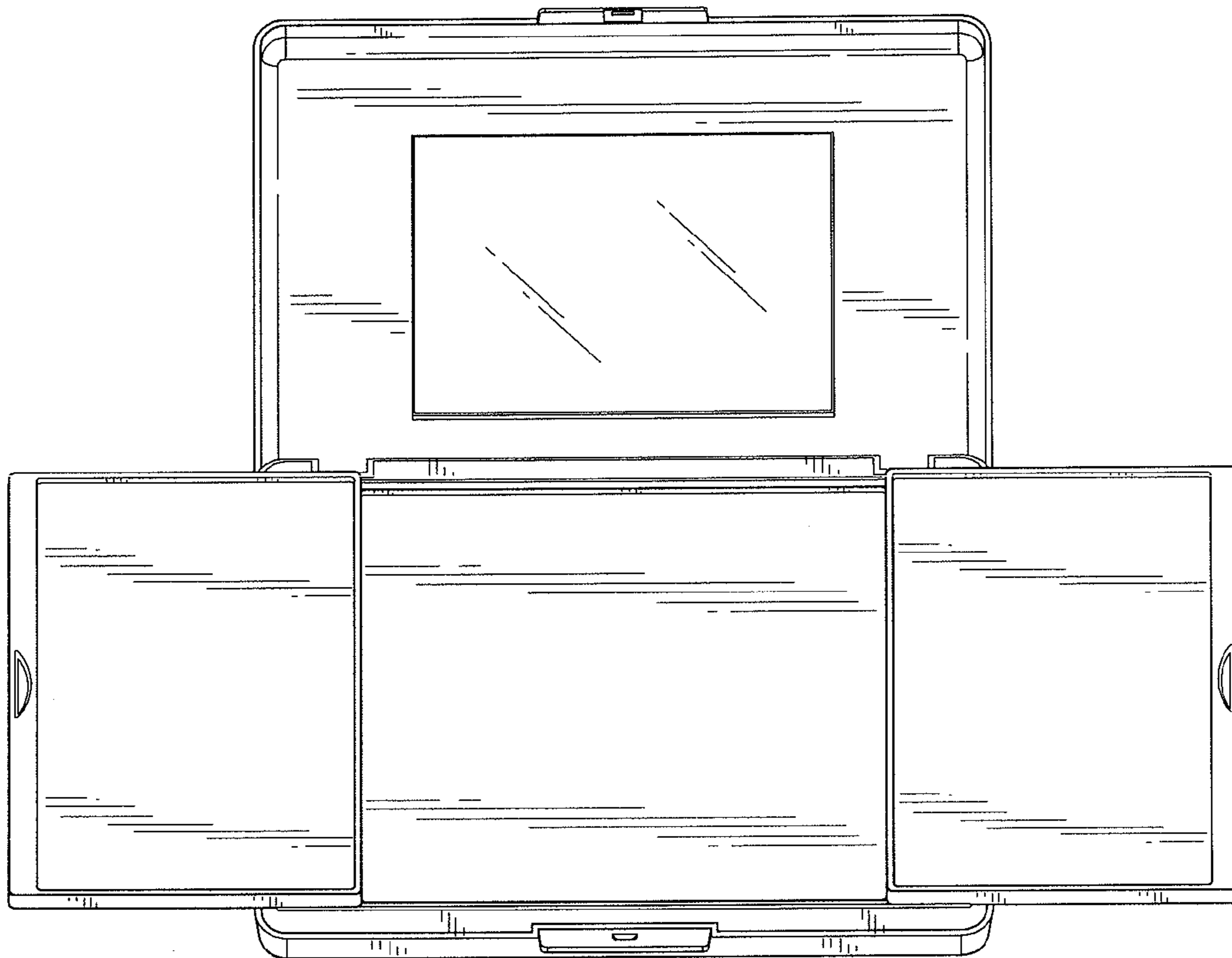


FIG. 2

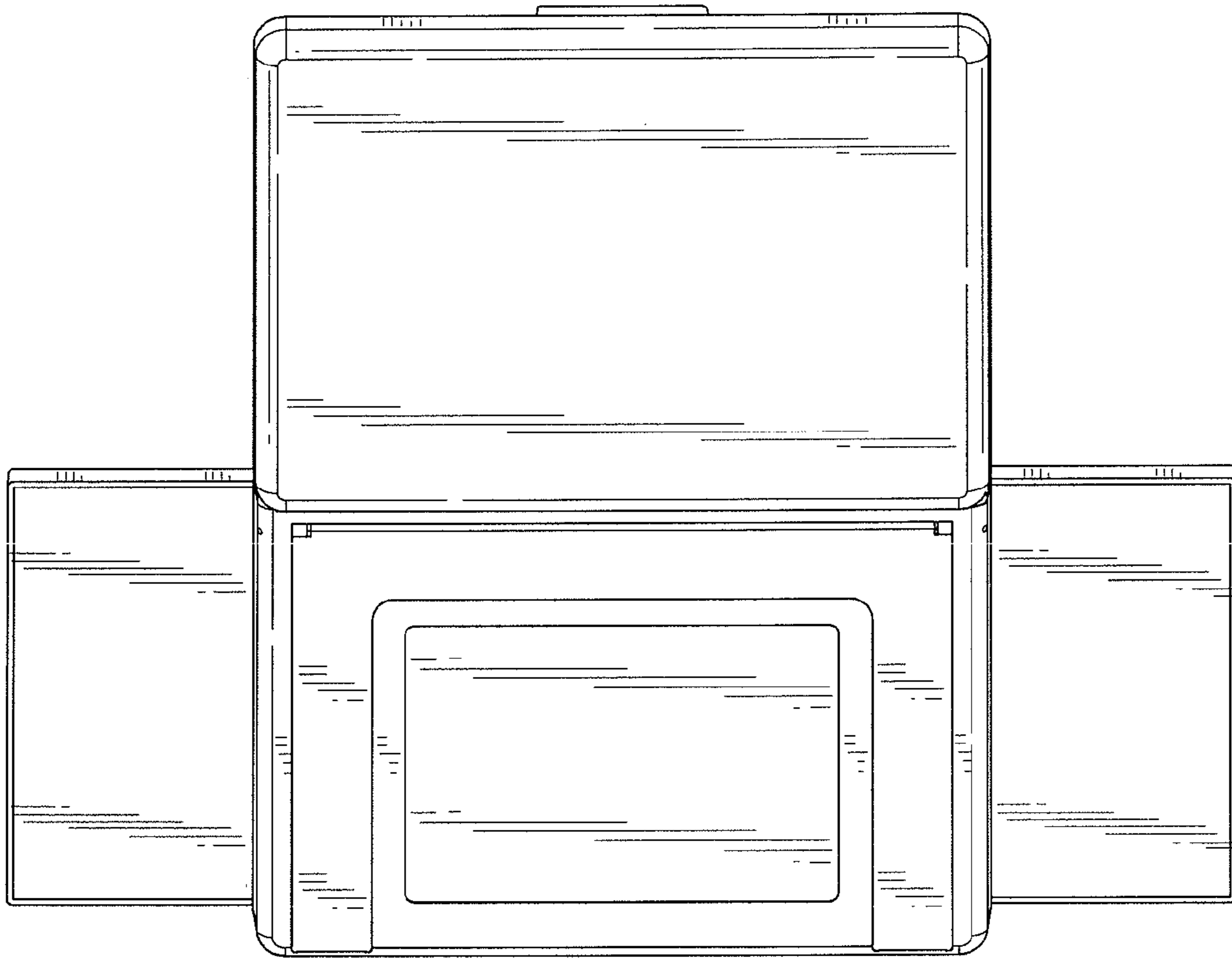


FIG. 3

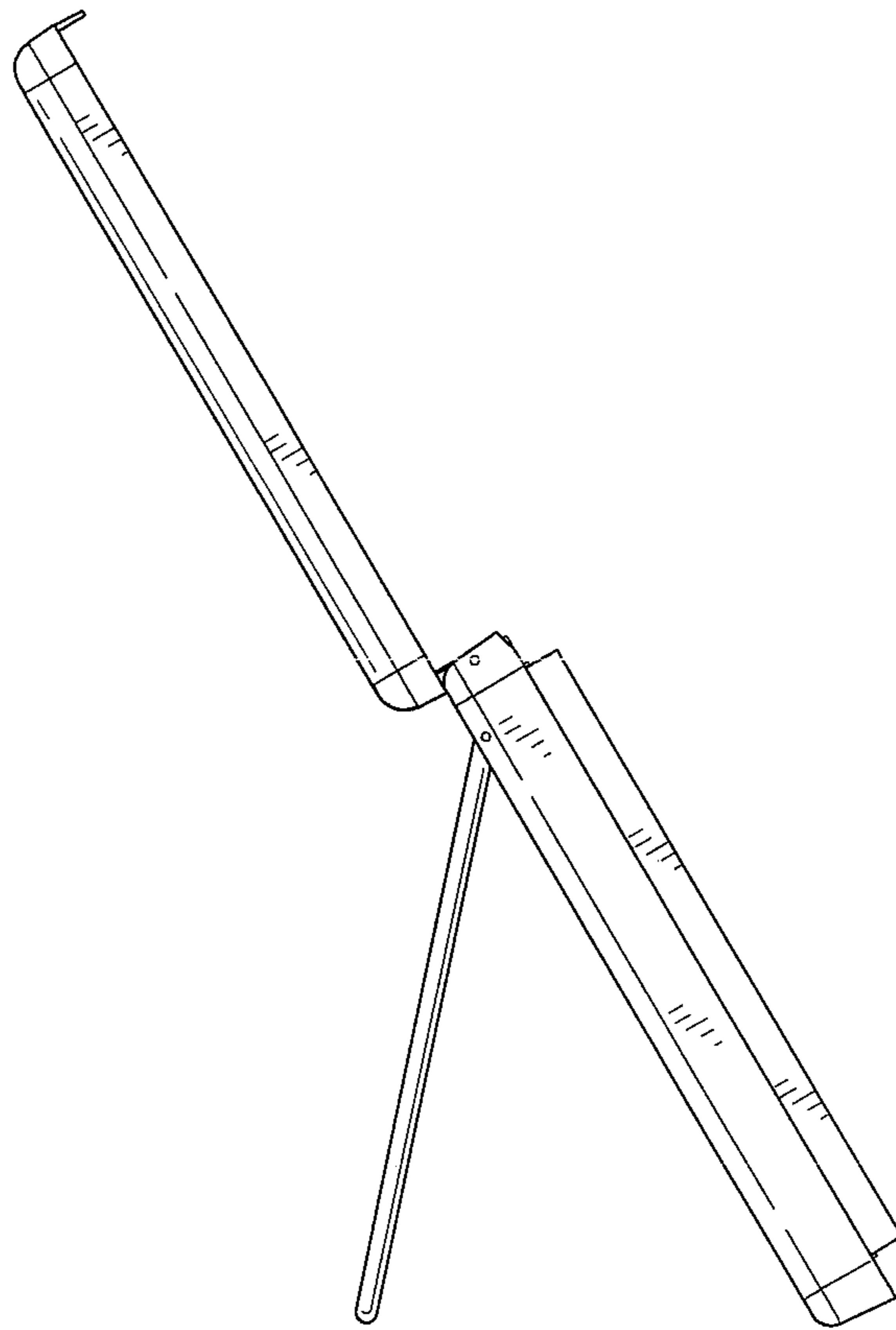


FIG. 4

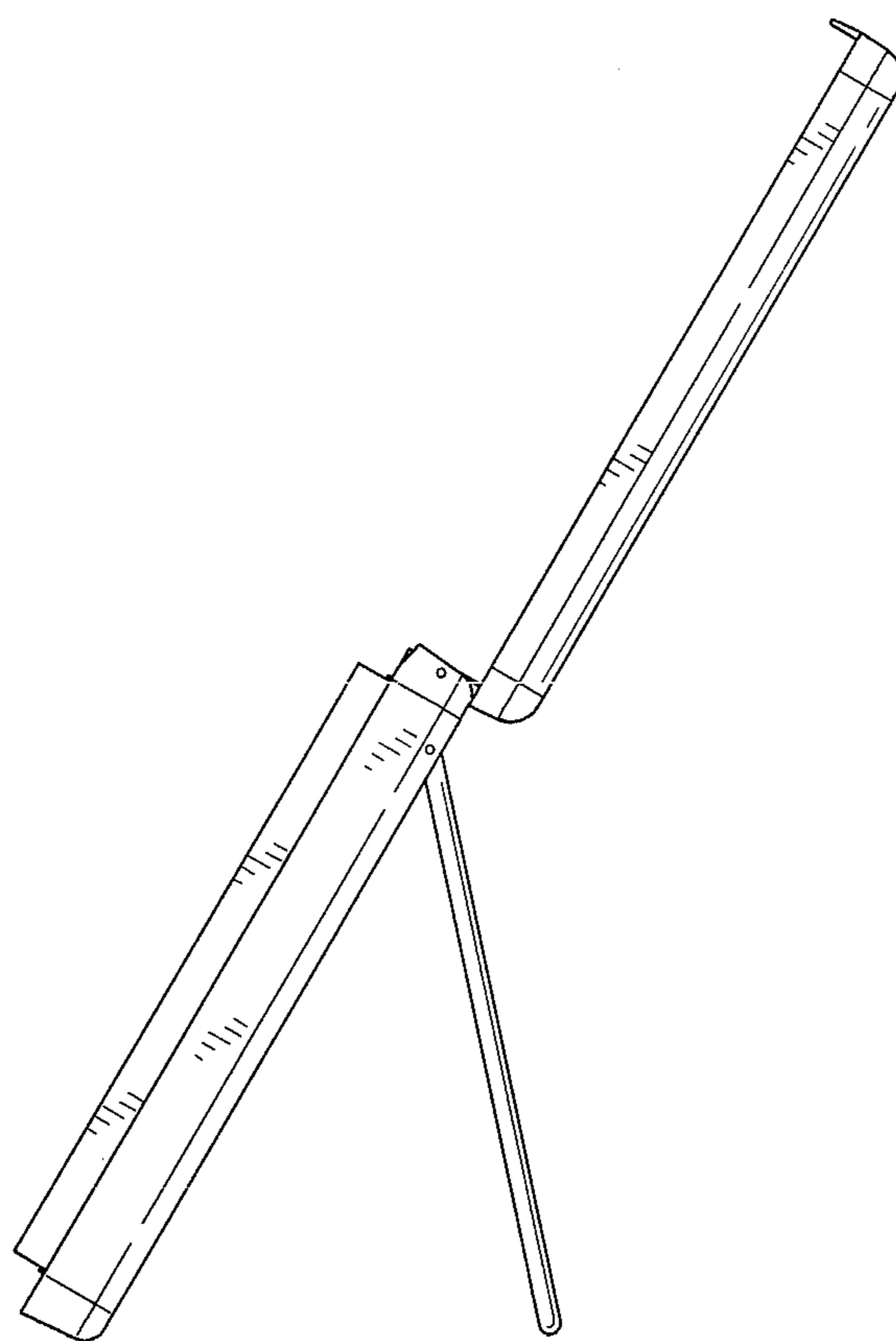


FIG. 5

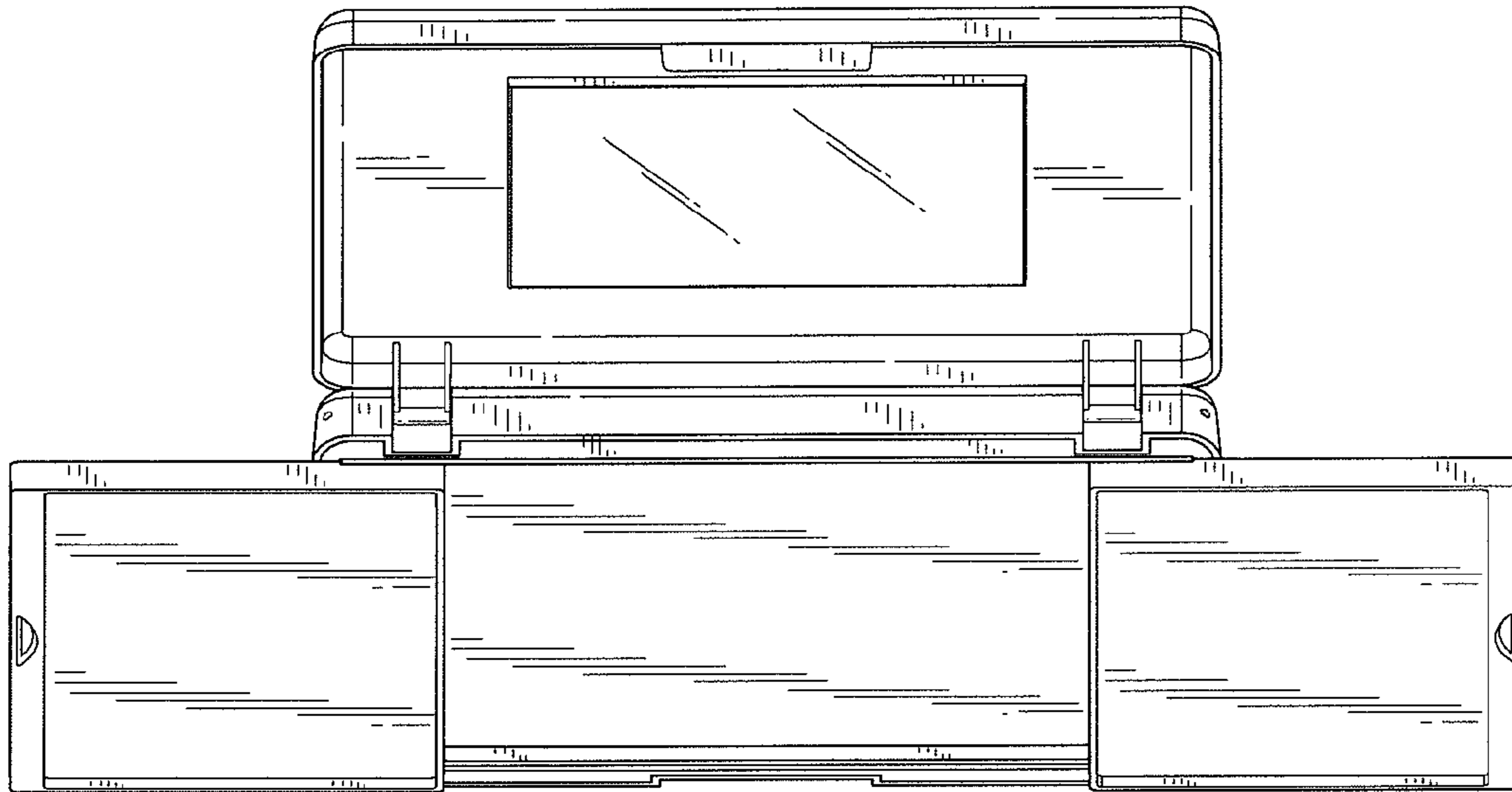


FIG. 6

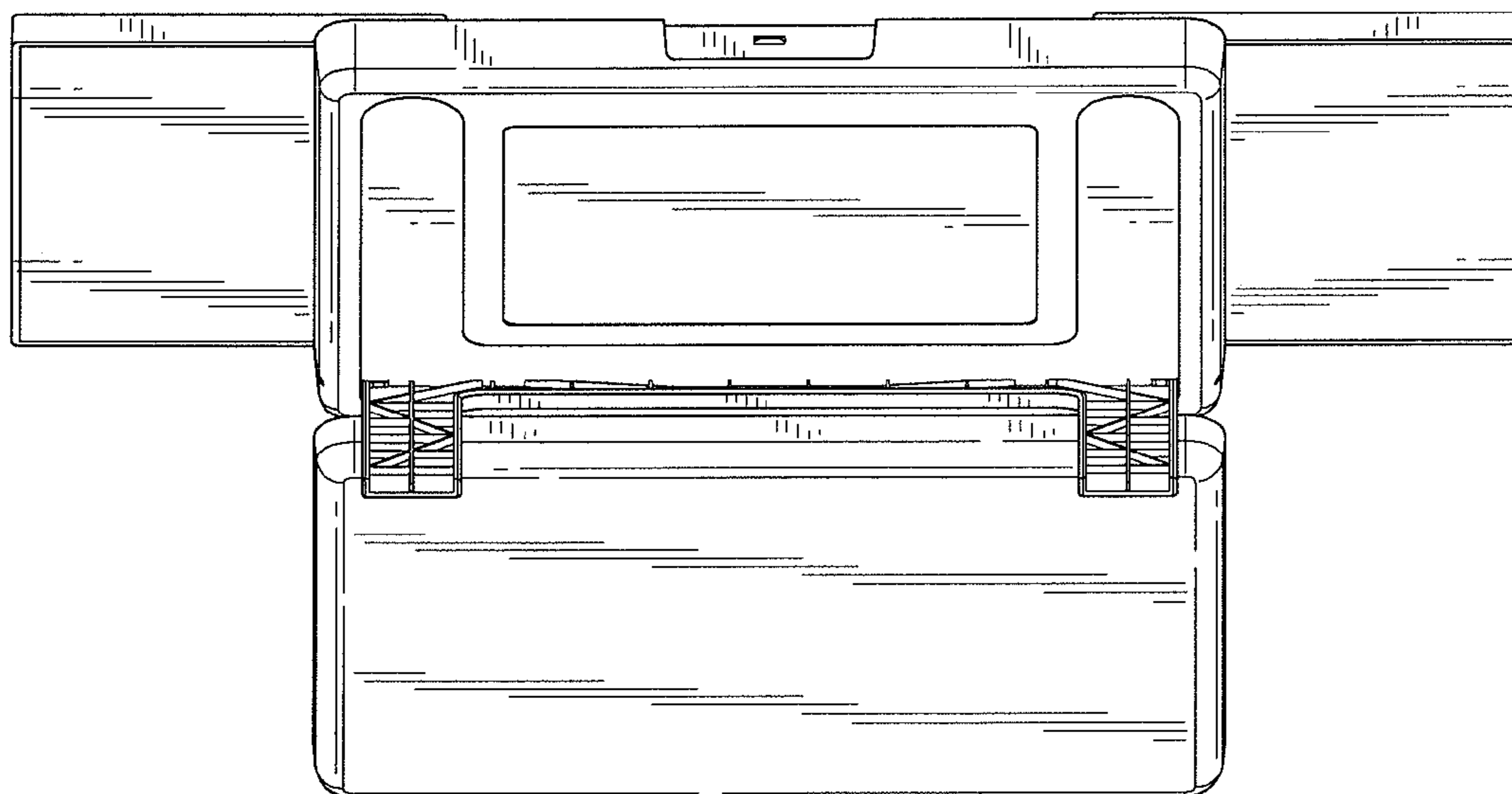


FIG. 7