



US00D687597S

(12) **United States Design Patent**  
**Webster**

(10) **Patent No.:** **US D687,597 S**  
(45) **Date of Patent:** **\*\* Aug. 6, 2013**

(54) **COMBINATION HAIR STYLING DEVICE**

(71) Applicant: **Cher Webster**, Calgary (CA)

(72) Inventor: **Cher Webster**, Calgary (CA)

(\*\*) Term: **14 Years**

(21) Appl. No.: **29/451,538**

(22) Filed: **Apr. 3, 2013**

**Related U.S. Application Data**

(63) Continuation of application No. 13/855,229, filed on Apr. 2, 2013.

(51) **LOC (9) Cl.** ..... **28-03**

(52) **U.S. Cl.**  
USPC ..... **D28/25; D28/29**

(58) **Field of Classification Search**  
USPC ..... D28/1-34, 39-432; 132/101, 126,  
132/128-131, 144, 148, 219, 275-284  
See application file for complete search history.

(56) **References Cited**

**U.S. PATENT DOCUMENTS**

673,098	A	4/1901	Tissier
716,454	A	12/1902	Martin
1,741,073	A	12/1929	Porter
1,874,630	A	8/1932	Samantas
D119,219	S	2/1940	Solomon
2,249,267	A	7/1941	Berry
2,496,487	A	2/1950	Moses
2,509,658	A	5/1950	Wallace
2,829,654	A	4/1958	Fay
3,279,055	A	10/1966	Saul
3,515,153	A	6/1970	Sukeyoshi
3,877,472	A	4/1975	D'Angelo
3,991,774	A	11/1976	Walfthal
5,018,542	A	5/1991	Lee

5,533,533	A	7/1996	Shing	
5,638,836	A	6/1997	Yasuda	
6,263,886	B1	7/2001	Davis	
6,494,214	B1 *	12/2002	Coldicott	132/213.1
6,523,547	B1	2/2003	Crocilla	
6,591,843	B1 *	7/2003	Langohr	132/277
7,044,138	B2	5/2006	Brown	
7,044,141	B2 *	5/2006	Yasuda	132/277
7,073,517	B1	7/2006	Burnette, III	
7,461,662	B2 *	12/2008	Kim	132/277
7,631,648	B2	12/2009	Kirby	
7,735,497	B2 *	6/2010	Kim	132/276
8,061,369	B2 *	11/2011	Kim	132/277
8,082,930	B2	12/2011	Hsu	
8,240,318	B2 *	8/2012	Choi	132/277
2002/0129828	A1	9/2002	Ott	
2012/0167909	A1	7/2012	Stewart	

**FOREIGN PATENT DOCUMENTS**

JP 2010252979 A 11/2010

\* cited by examiner

*Primary Examiner* — Zenia Bennett

(74) *Attorney, Agent, or Firm* — David A. Guerra

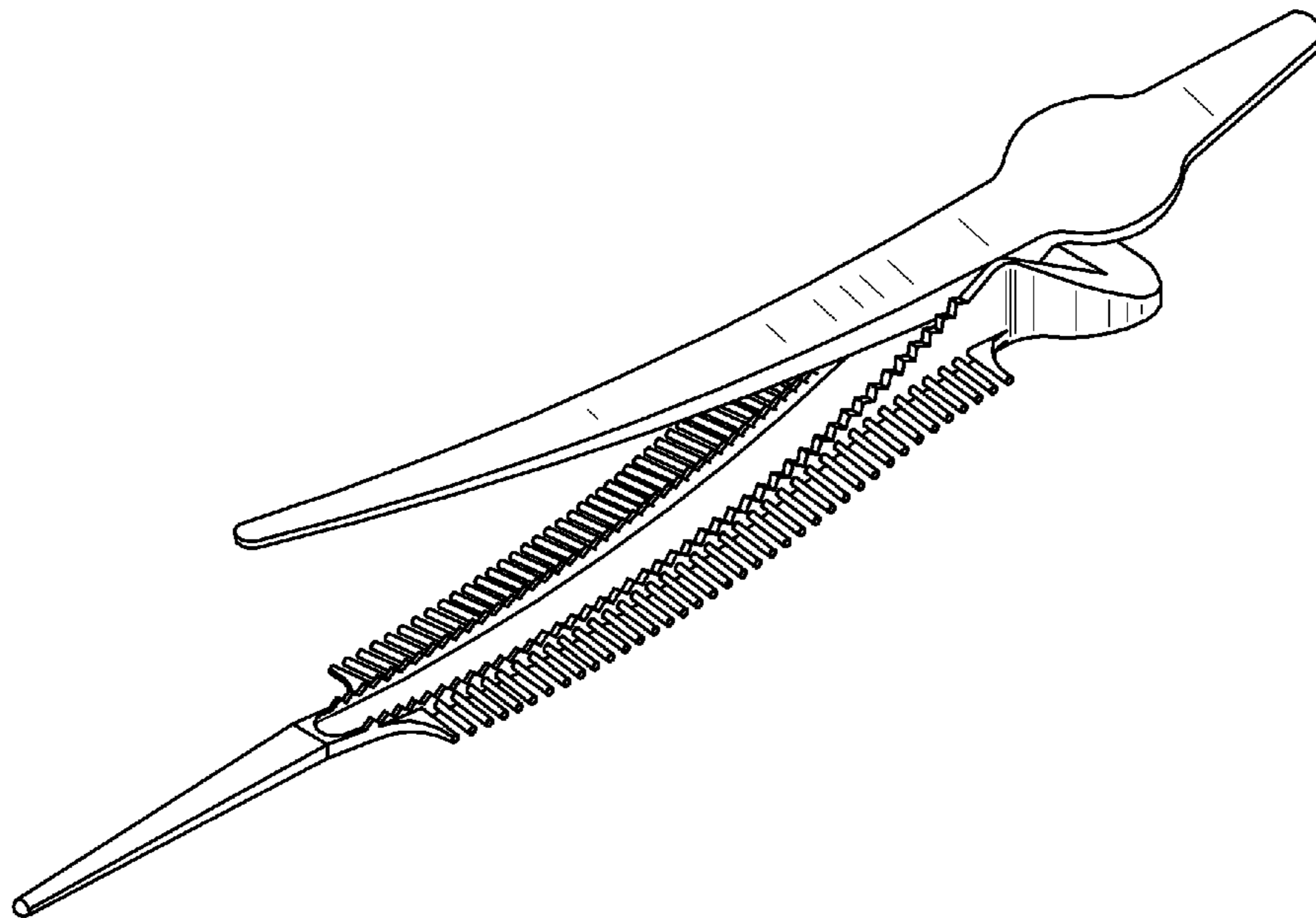
(57) **CLAIM**

The ornamental design for a combination hair styling device, as shown and described.

**DESCRIPTION**

FIG. 1 is a perspective view of a combination hair styling device constructed in accordance with the new design; FIG. 2 is a perspective view of the combination hair styling device in an opened configuration; FIG. 3 is a top plane view thereof; FIG. 4 is a bottom plane view thereof; FIG. 5 is a right side elevational view thereof, with the left side elevational view being a mirror image thereof; and, FIG. 6 is a rear elevational view thereof.

**1 Claim, 3 Drawing Sheets**



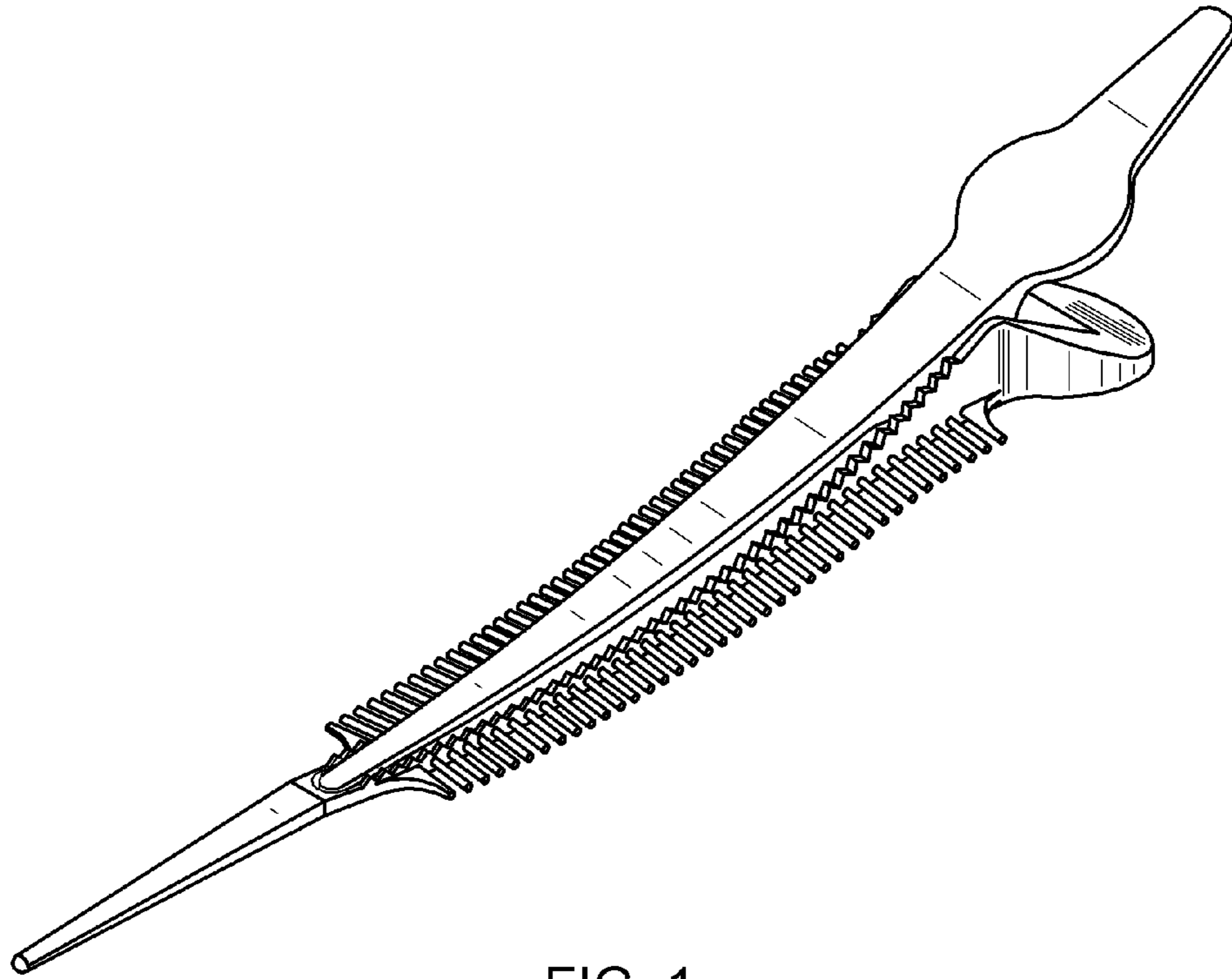


FIG. 1

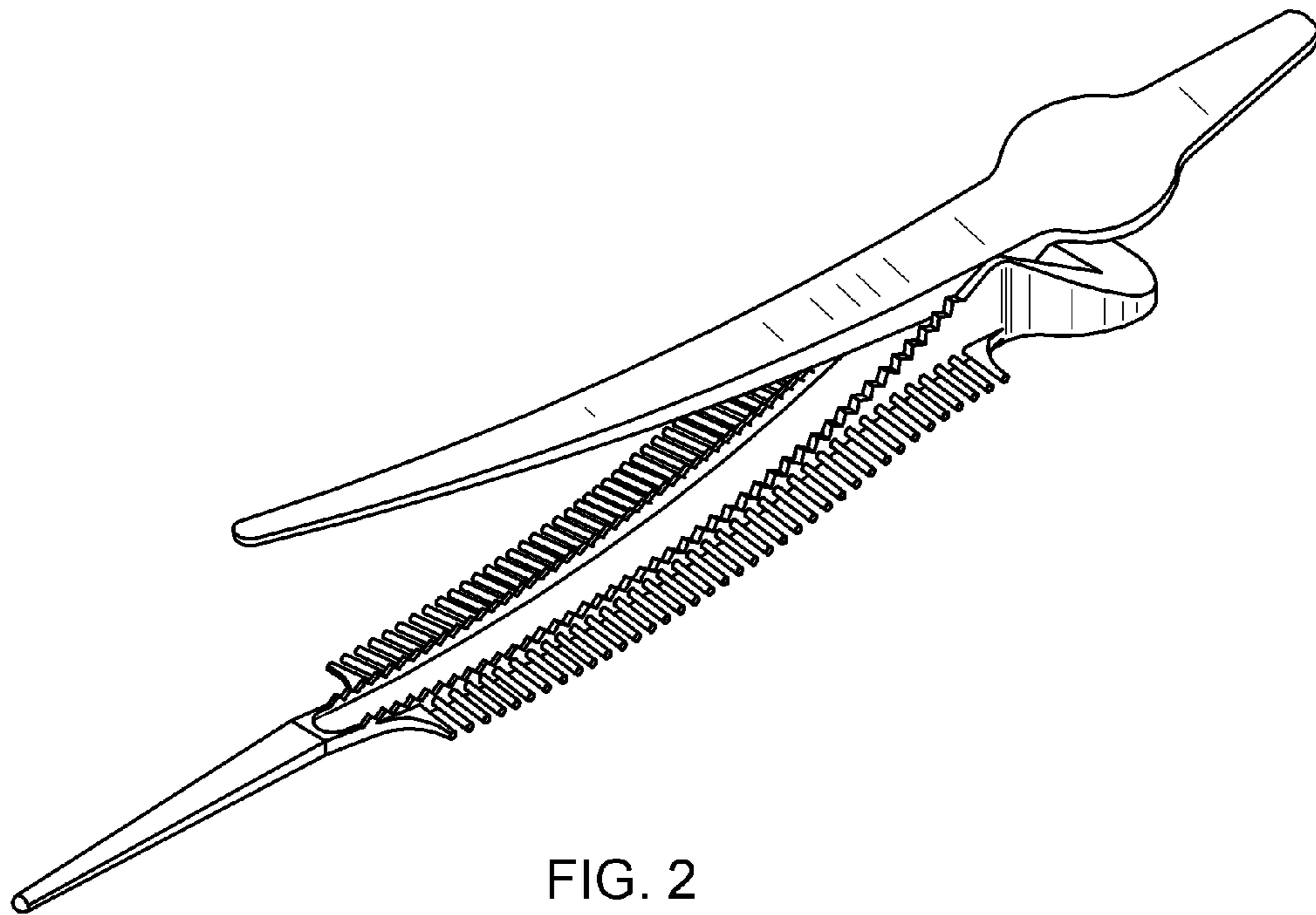


FIG. 2

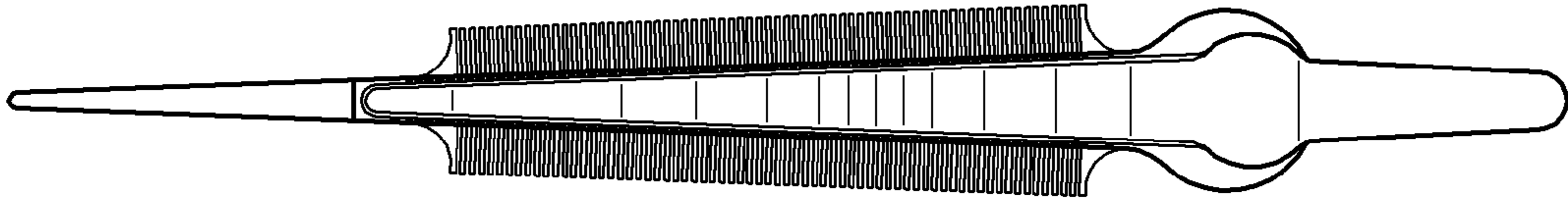


FIG. 3

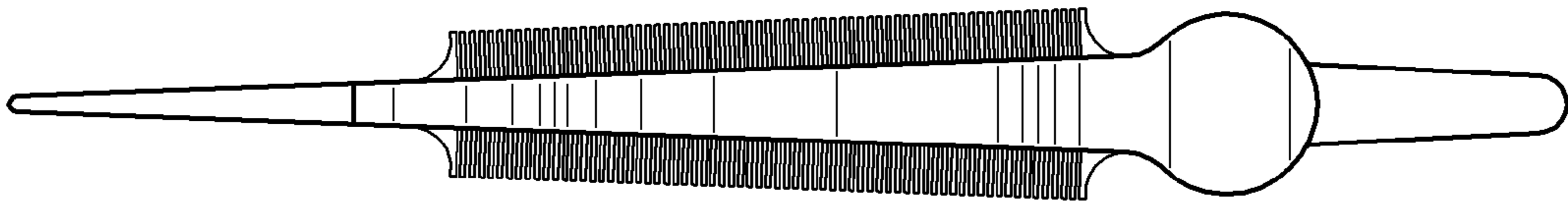


FIG. 4

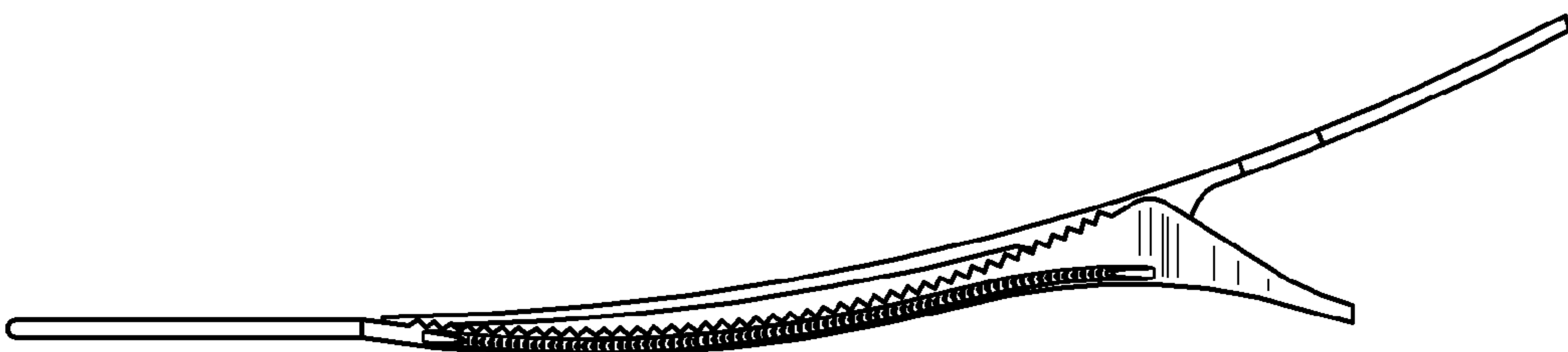


FIG. 5

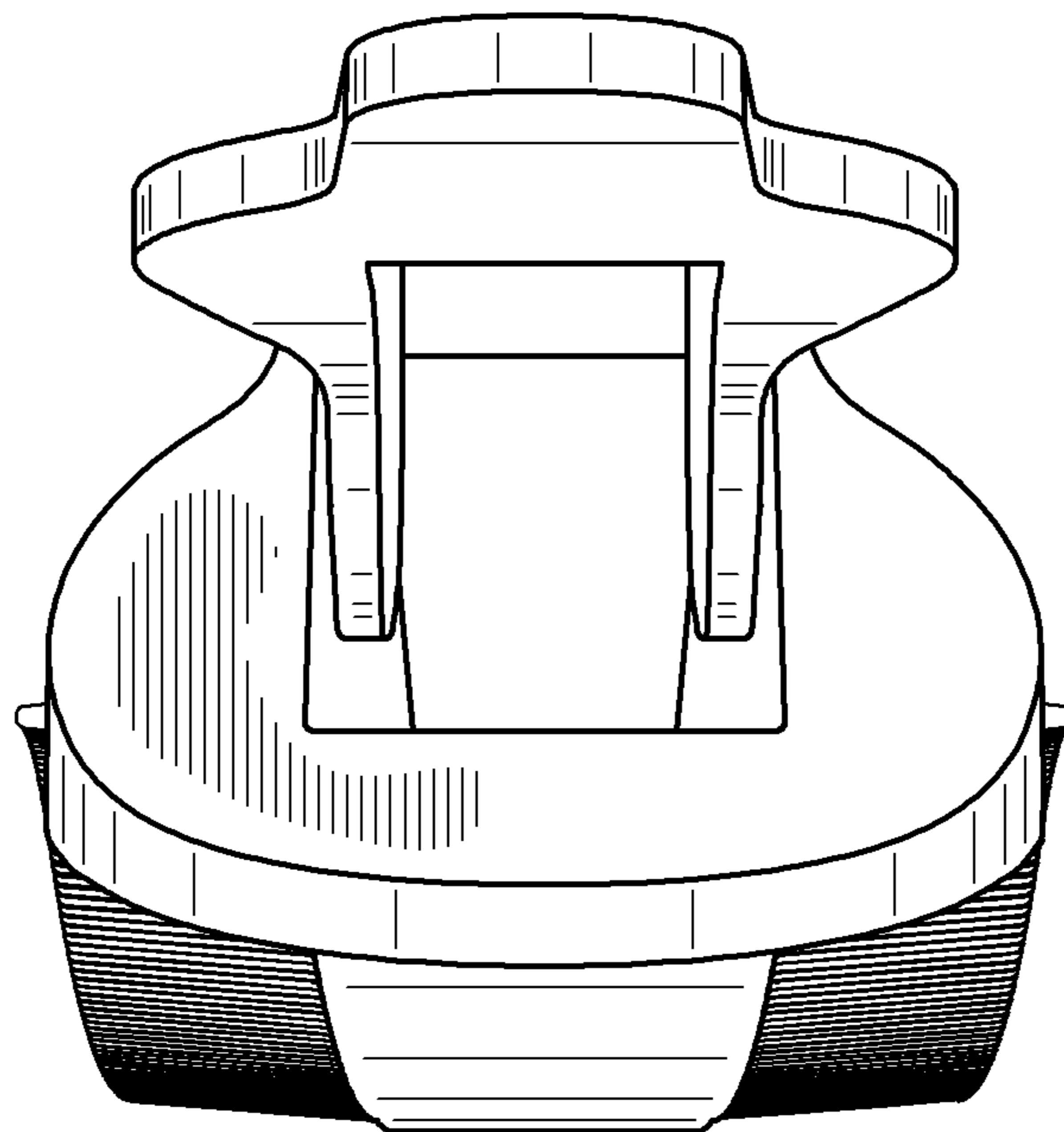


FIG. 6