



US00D687591S

(12) **United States Design Patent**  
**Chilton et al.**

(10) **Patent No.:** **US D687,591 S**

(45) **Date of Patent:** **\*\* Aug. 6, 2013**

(54) **CASING FOR A PORTABLE SOLAR LIGHT**

(75) Inventors: **Robin Blake Kiran Chilton**, London (GB); **Sean Sun**, Grand Cayman (KY); **Xianyi Wu**, Shenzhen (CN)

(73) Assignee: **D.Light Design, Inc.**, Grand Cayman (KY)

(\*\*) Term: **14 Years**

(21) Appl. No.: **29/430,014**

(22) Filed: **Aug. 20, 2012**

(51) **LOC (9) Cl.** ..... **26-03**

(52) **U.S. Cl.**  
USPC ..... **D26/93; D26/37**

(58) **Field of Classification Search**  
USPC ..... D26/1, 24, 67-6, 93-94, 101, 104-110, D26/113, 118, 37; 362/3, 153, 186, 217, 362/255, 257, 277, 317, 351, 353, 362, 363, 362/382, 431, 433, 458, 806  
See application file for complete search history.

(56) **References Cited**

U.S. PATENT DOCUMENTS

D309,787 S \* 8/1990 Chien ..... D26/93

D316,452 S \* 4/1991 Kira ..... D26/104  
D557,450 S \* 12/2007 Barbeau et al. .... D26/104  
D606,237 S \* 12/2009 Schmitt et al. .... D26/93  
D621,541 S \* 8/2010 Hamel ..... D26/93  
D638,571 S \* 5/2011 Chilton ..... D26/93

\* cited by examiner

*Primary Examiner* — Brian N Vinson

(74) *Attorney, Agent, or Firm* — Brett Lovejoy; Morgan, Lewis & Bockius LLP

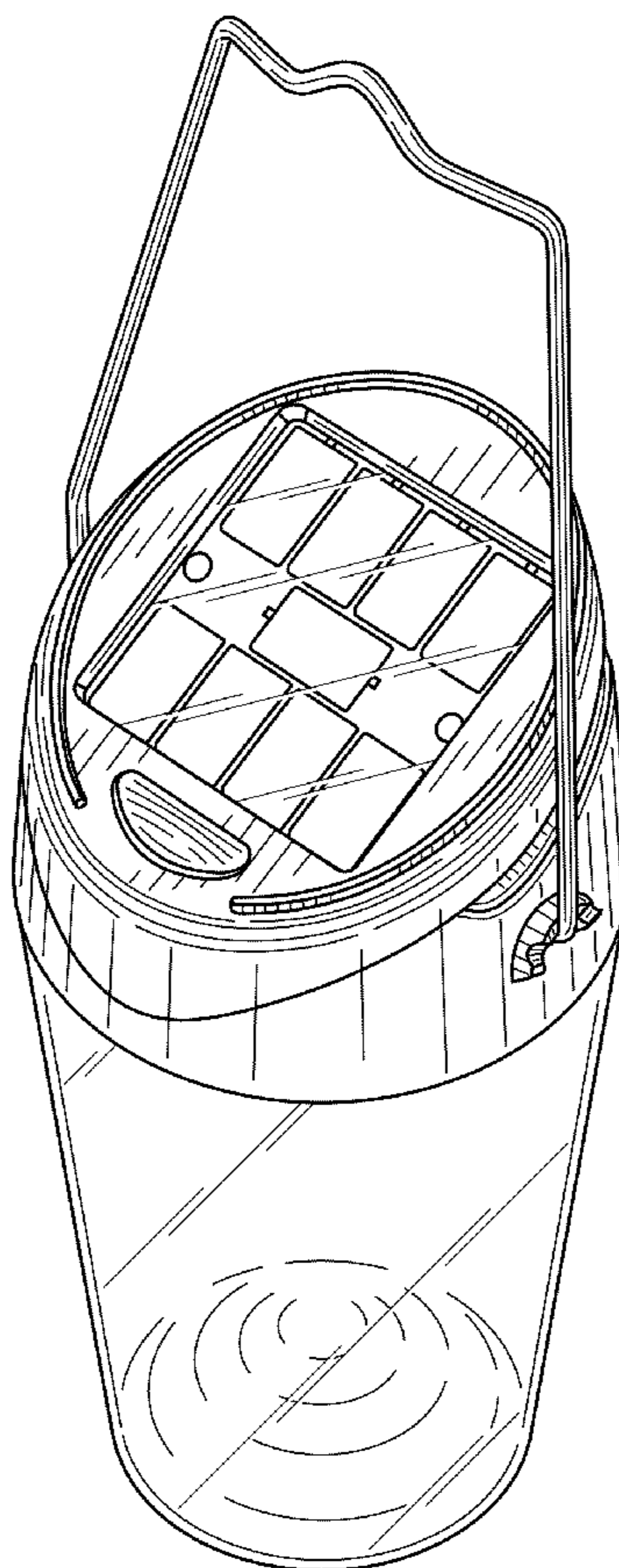
(57) **CLAIM**

The ornamental design for a casing for a portable solar light, as shown and described.

**DESCRIPTION**

FIG. 1 is a front-top perspective view of an ornamental design for a casing for a portable solar light according to an embodiment of the present invention;  
FIG. 2 is a front view thereof;  
FIG. 3 is a back view thereof;  
FIG. 4 is a first side view thereof;  
FIG. 5 is a second side view thereof;  
FIG. 6 is a top view thereof; and,  
FIG. 7 is a bottom view thereof.

**1 Claim, 7 Drawing Sheets**



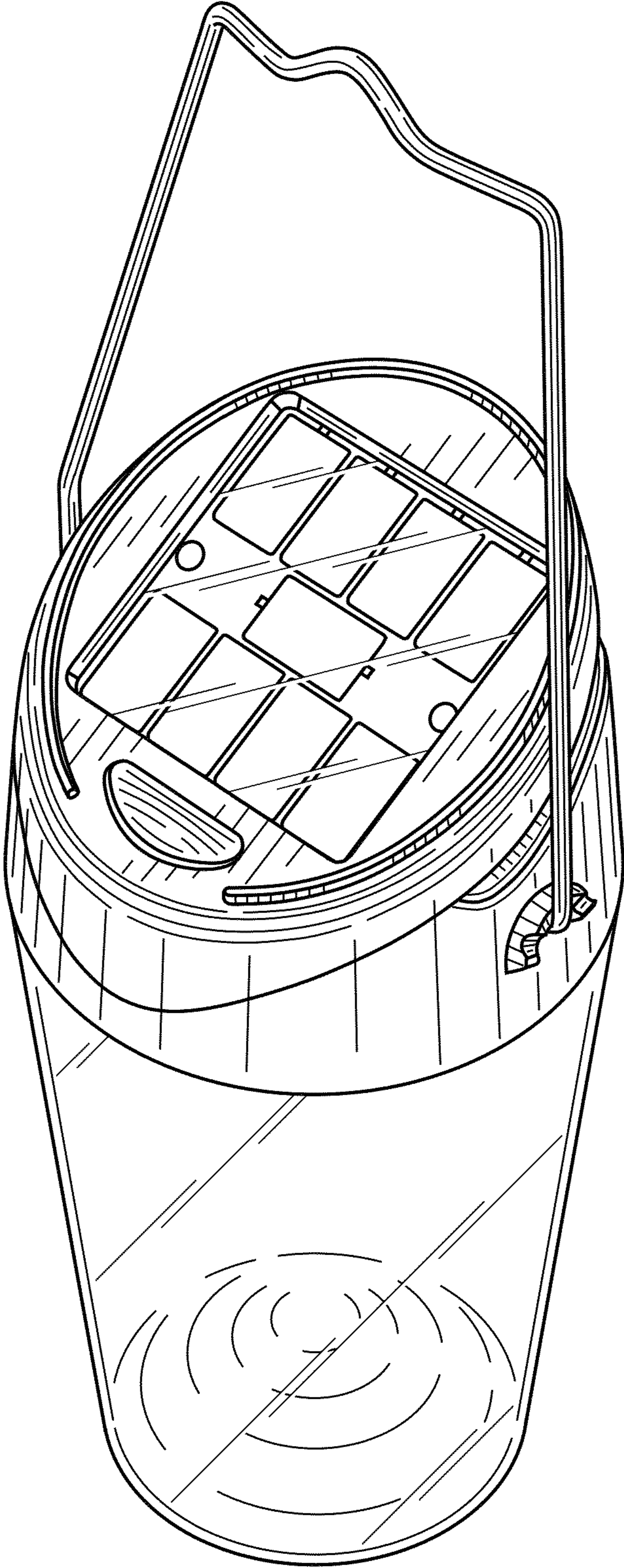


FIG. 1

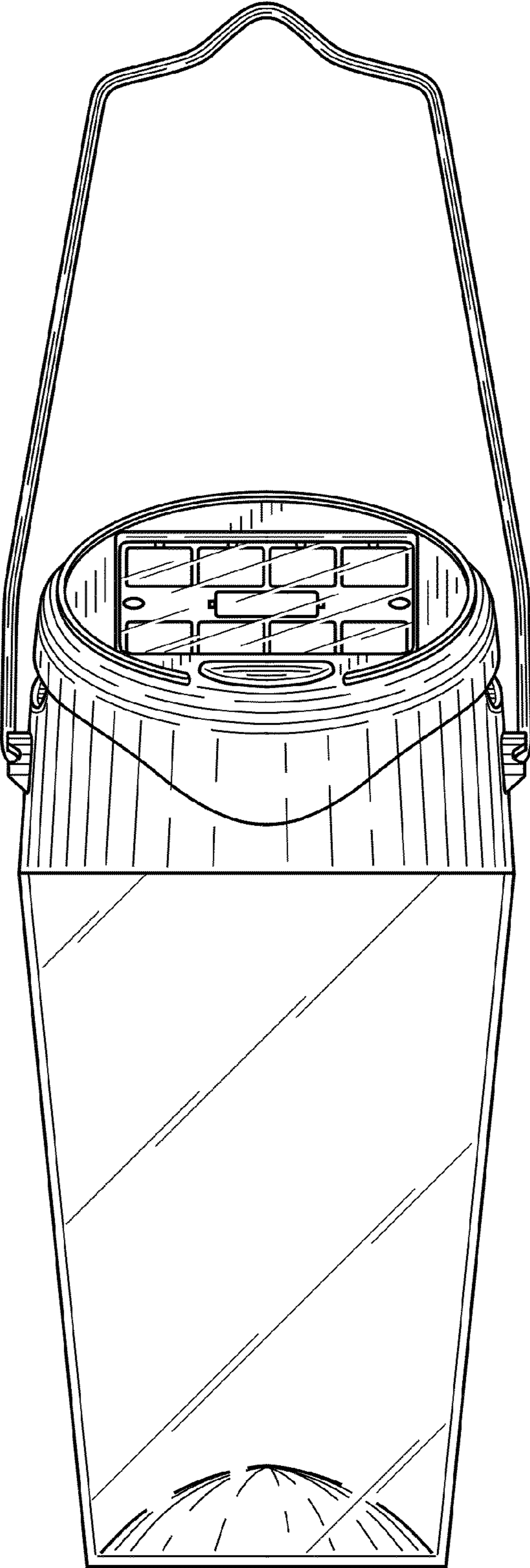


FIG. 2

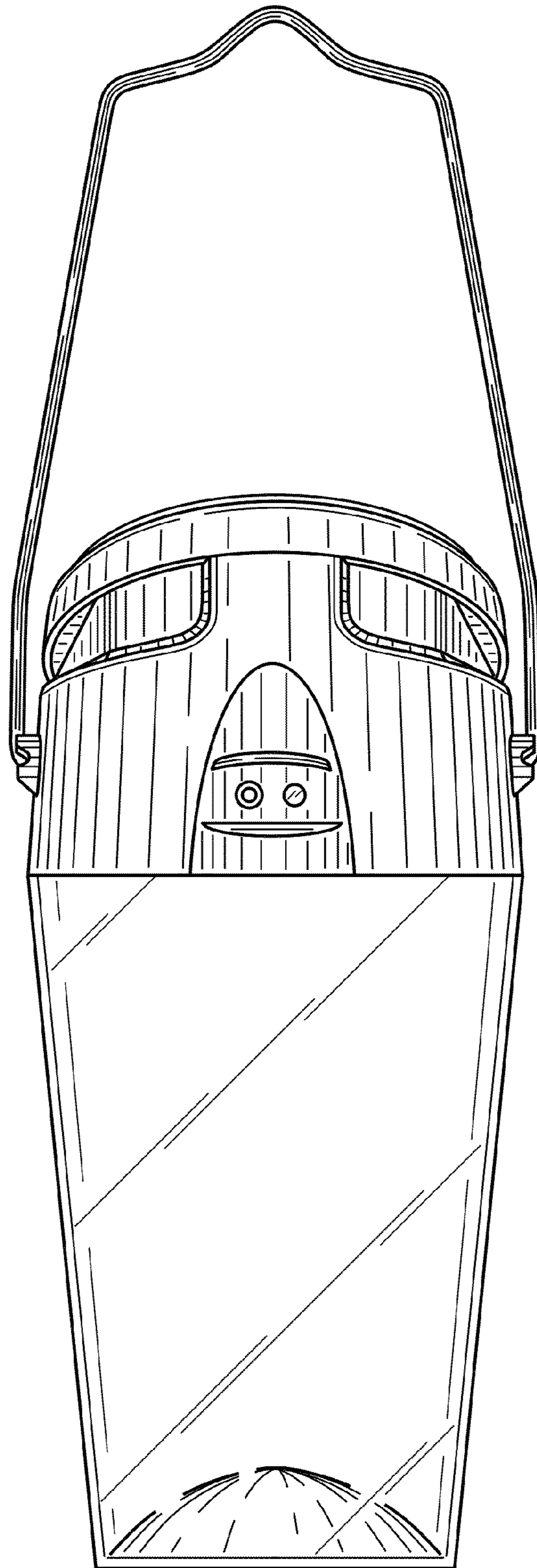


FIG. 3

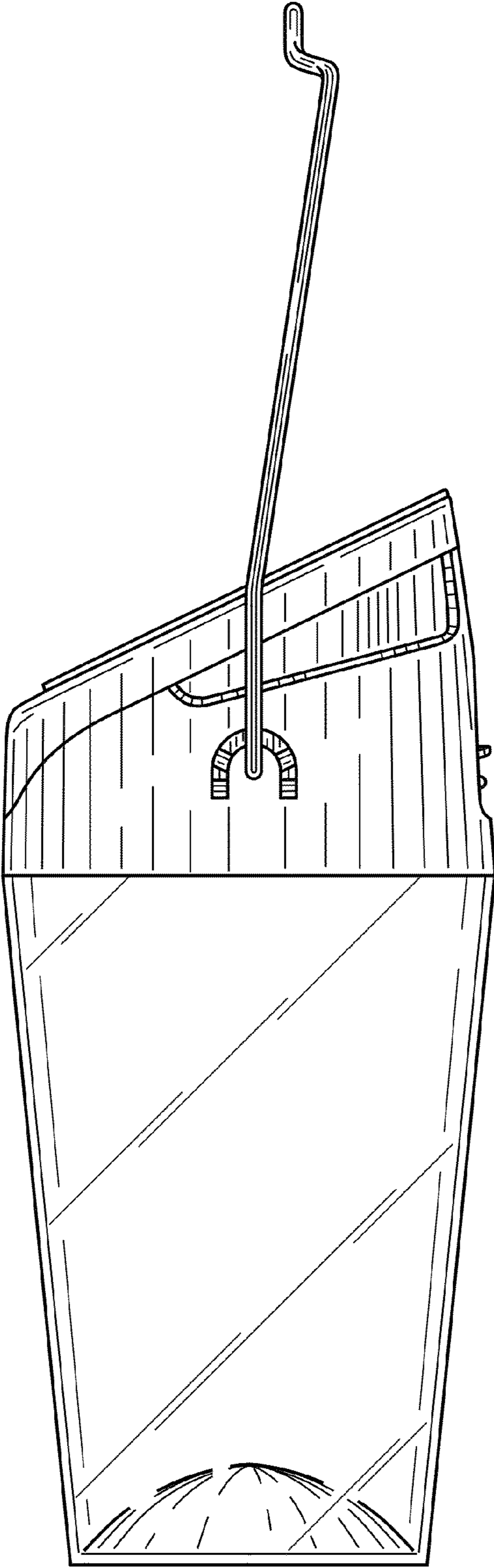


FIG. 4

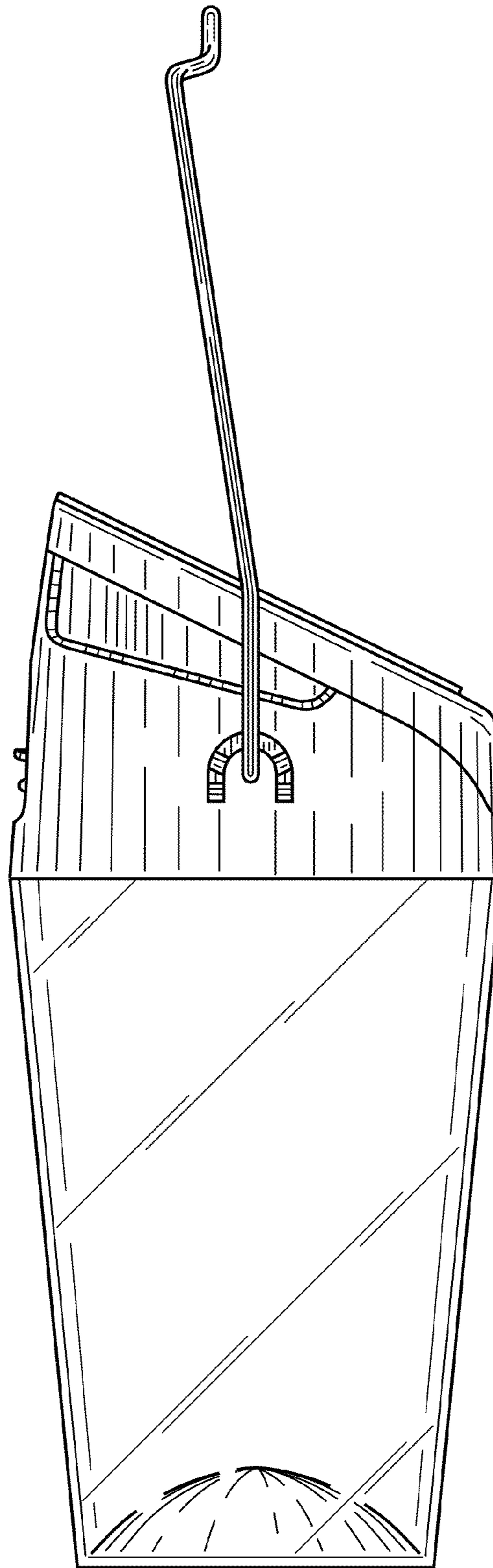


FIG. 5

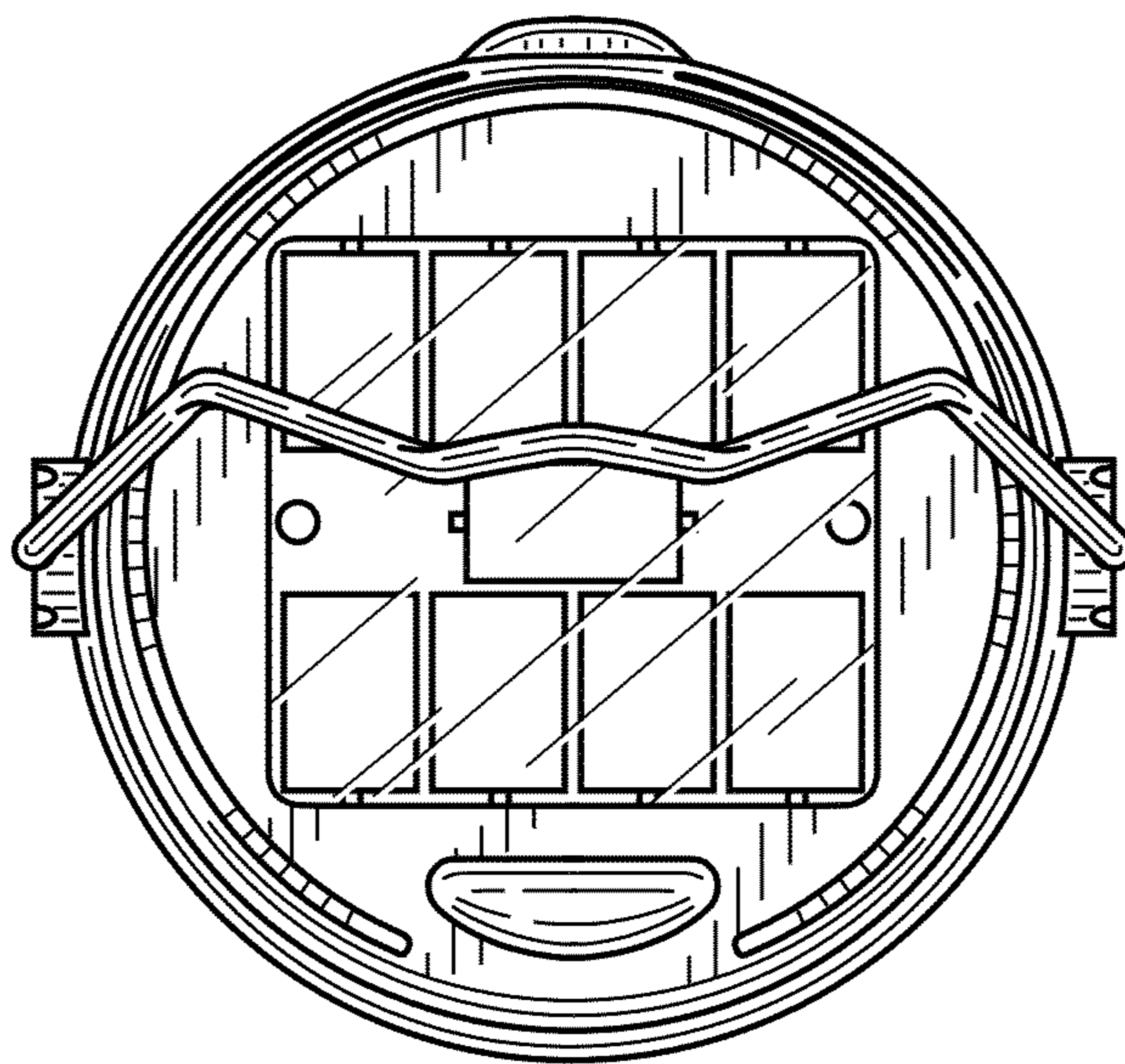


FIG. 6

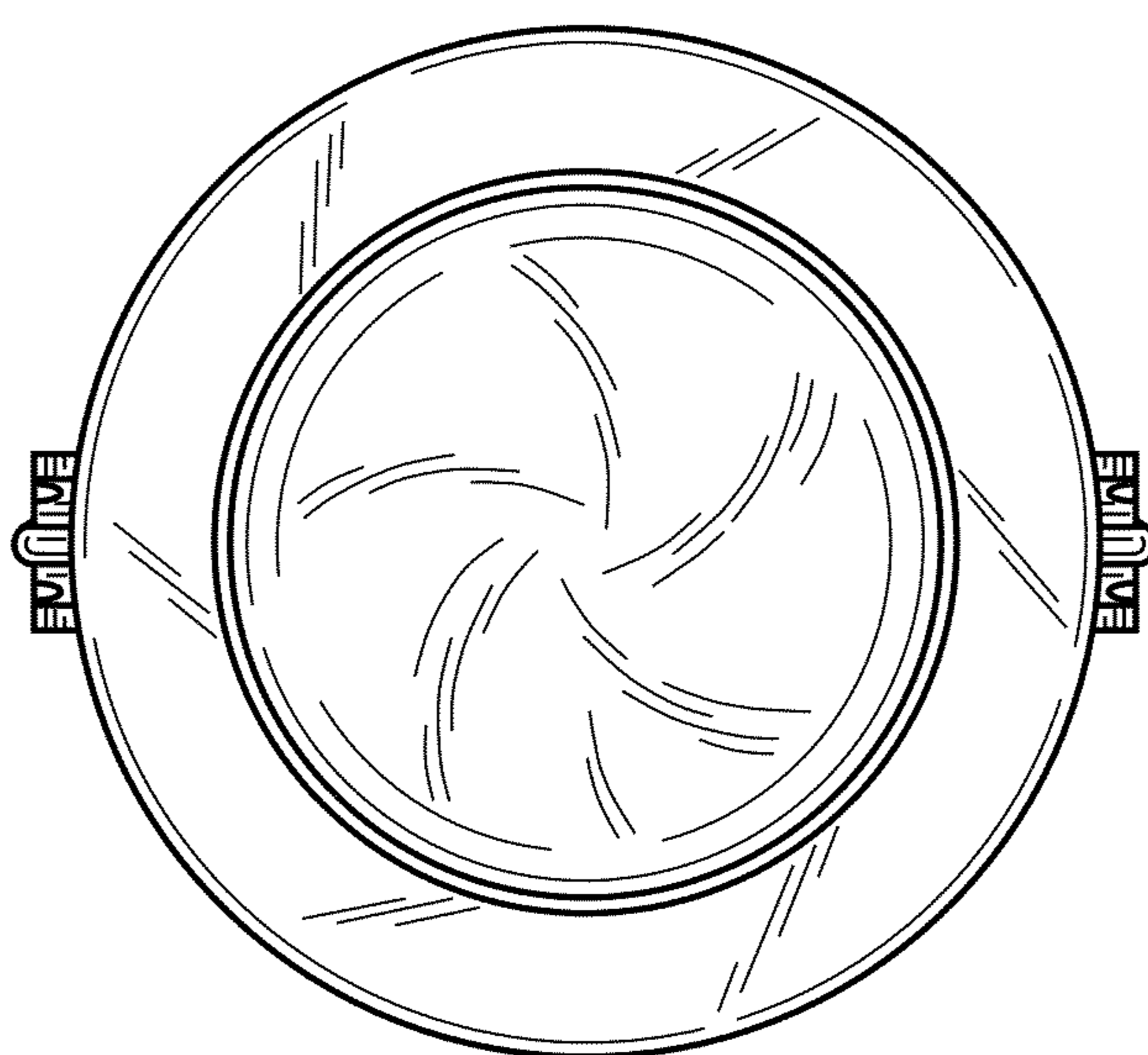


FIG. 7