



US00D687590S

(12) **United States Design Patent**
Chilton et al.

(10) **Patent No.:** **US D687,590 S**

(45) **Date of Patent:** **** Aug. 6, 2013**

(54) **CASING FOR A PORTABLE SOLAR
POWERED LIGHT**

(75) Inventors: **Robin Blake Kiran Chilton**, London
(GB); **Sean Sun**, Grand Cayman (KY)

(73) Assignee: **D.Light Design, Inc.**, Grand Cayman
(KY)

(**) Term: **14 Years**

(21) Appl. No.: **29/426,263**

(22) Filed: **Jul. 2, 2012**

(51) **LOC (9) Cl.** **26-03**

(52) **U.S. Cl.**
USPC **D26/93**

(58) **Field of Classification Search**
USPC D26/1, 24, 67-6, 93-94, 101, 104-110,
D26/113, 118, 37; 362/3, 153, 186, 217,
362/255, 257, 277, 317, 351, 353, 362, 363,
362/382, 431, 433, 458, 806
See application file for complete search history.

(56) **References Cited**

U.S. PATENT DOCUMENTS

D309,787 S * 8/1990 Chien D26/93

D316,452 S * 4/1991 Kira D26/104
D557,450 S * 12/2007 Barbeau et al. D26/104
D606,237 S * 12/2009 Schmitt et al. D26/93
D621,541 S * 8/2010 Hamel D26/93
D638,571 S * 5/2011 Chilton D26/93

* cited by examiner

Primary Examiner — Brian N Vinson

(74) *Attorney, Agent, or Firm* — Brett Lovejoy; Morgan,
Lewis & Bockius LLP

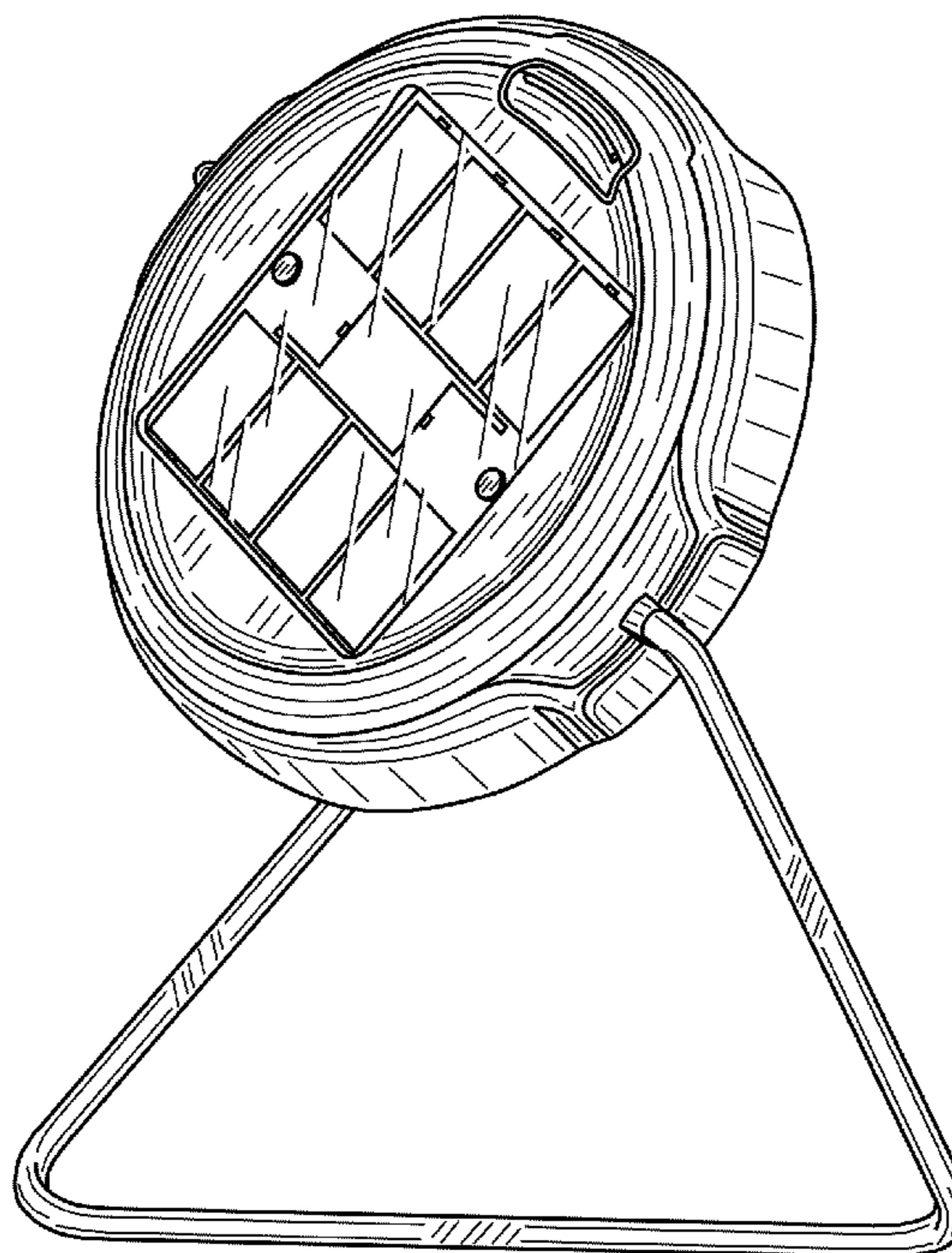
(57) **CLAIM**

The ornamental design for a casing for a portable solar powered light, as shown and described.

DESCRIPTION

FIG. 1 is a front-top perspective view of an ornamental design for a casing for a portable solar powered light according to an embodiment of the present invention; FIG. 2 is a front view thereof; FIG. 3 is a rear view thereof; FIG. 4 is a first side view thereof; FIG. 5 is a second side view thereof; FIG. 6 is a top view thereof; and, FIG. 7 is a bottom view thereof.

1 Claim, 7 Drawing Sheets



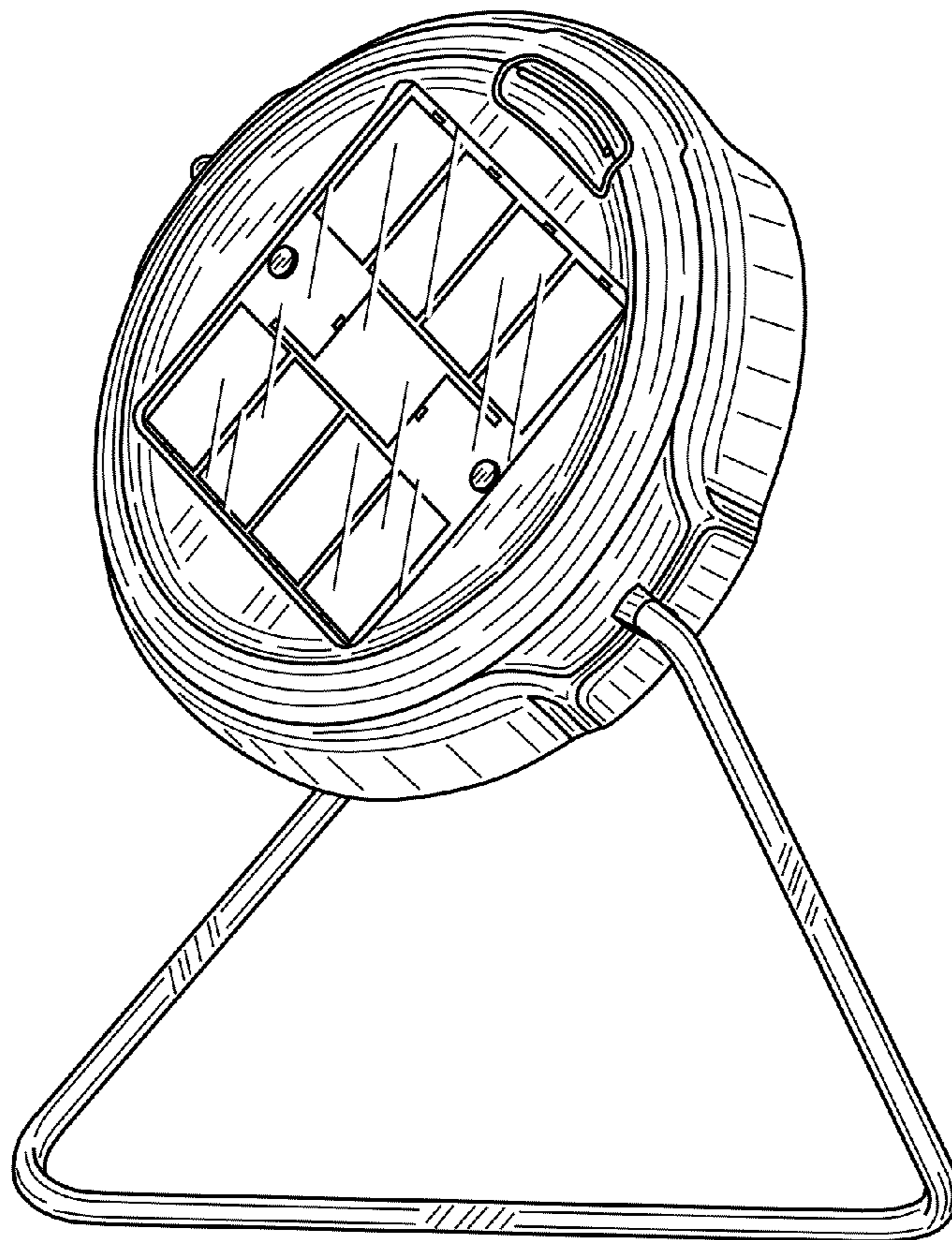


FIG. 1

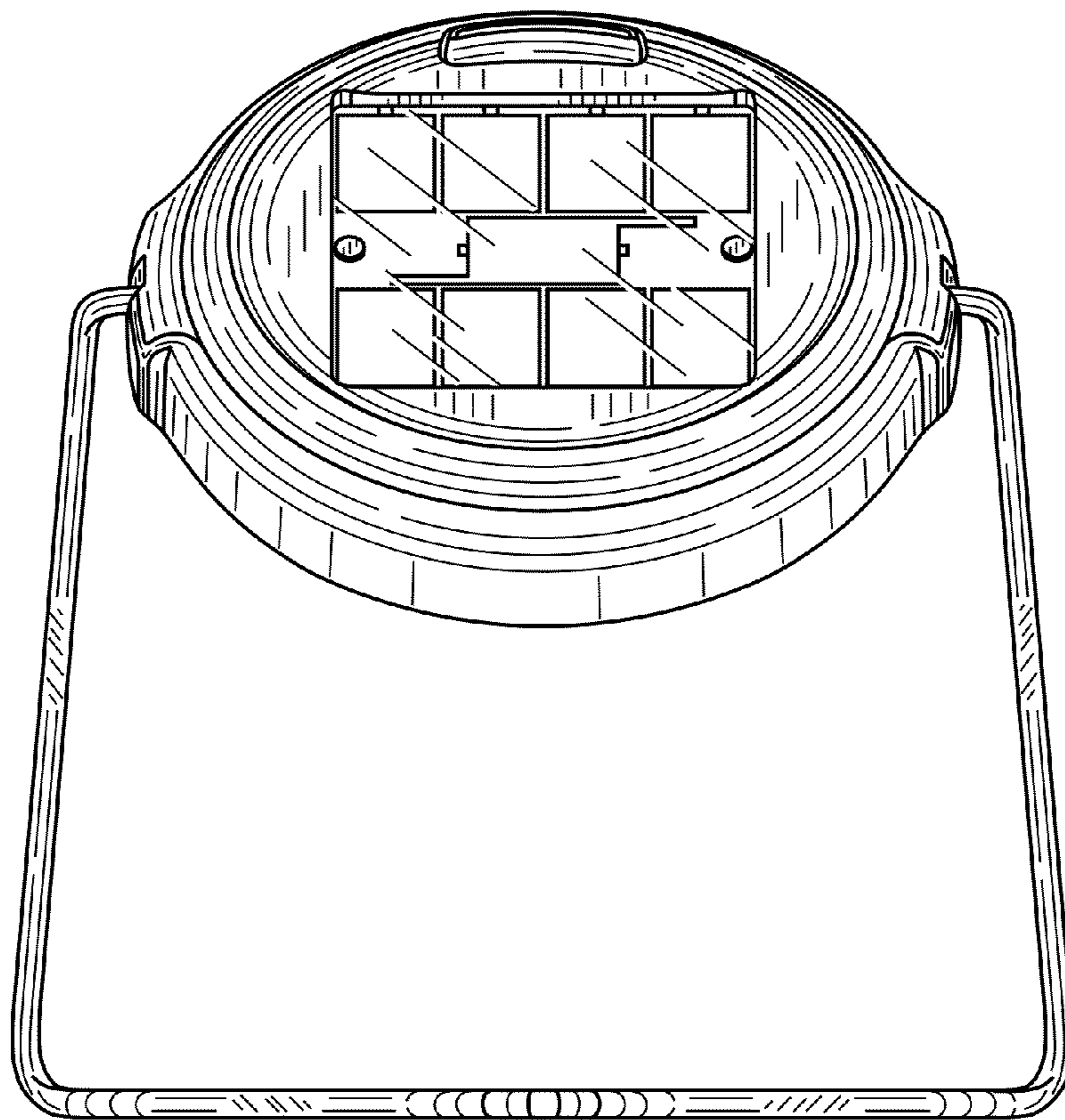


FIG. 2

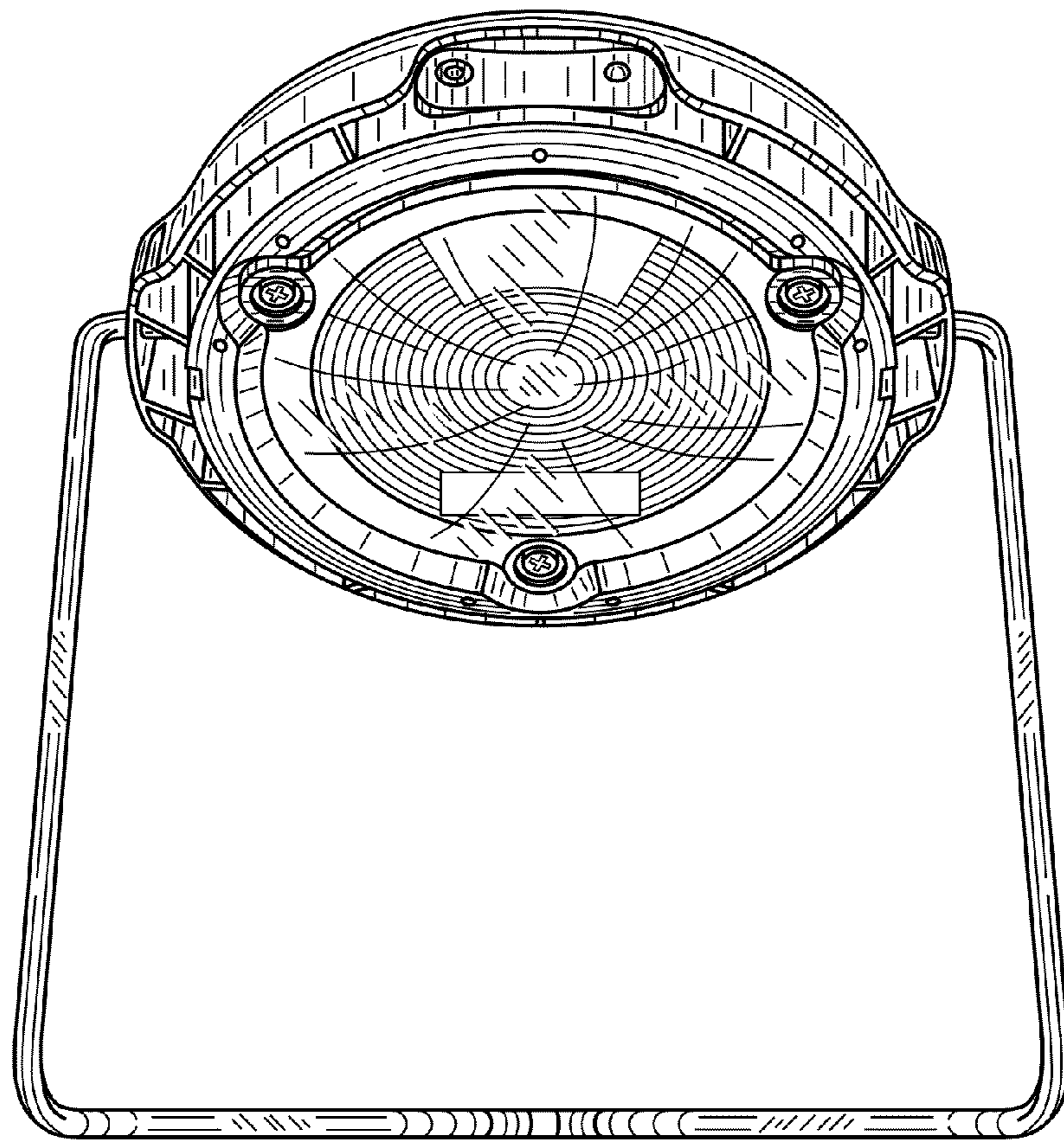


FIG. 3

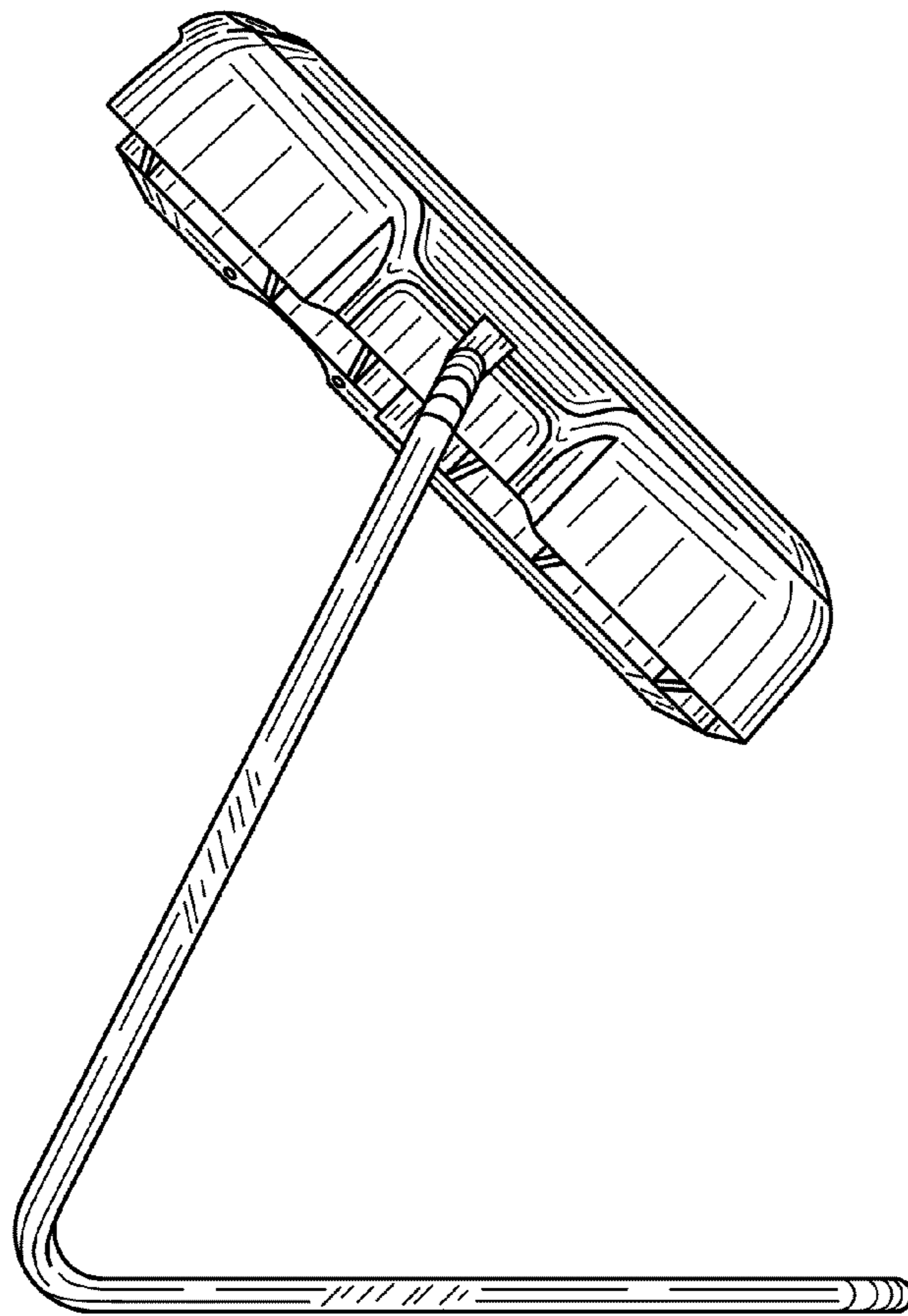


FIG. 4

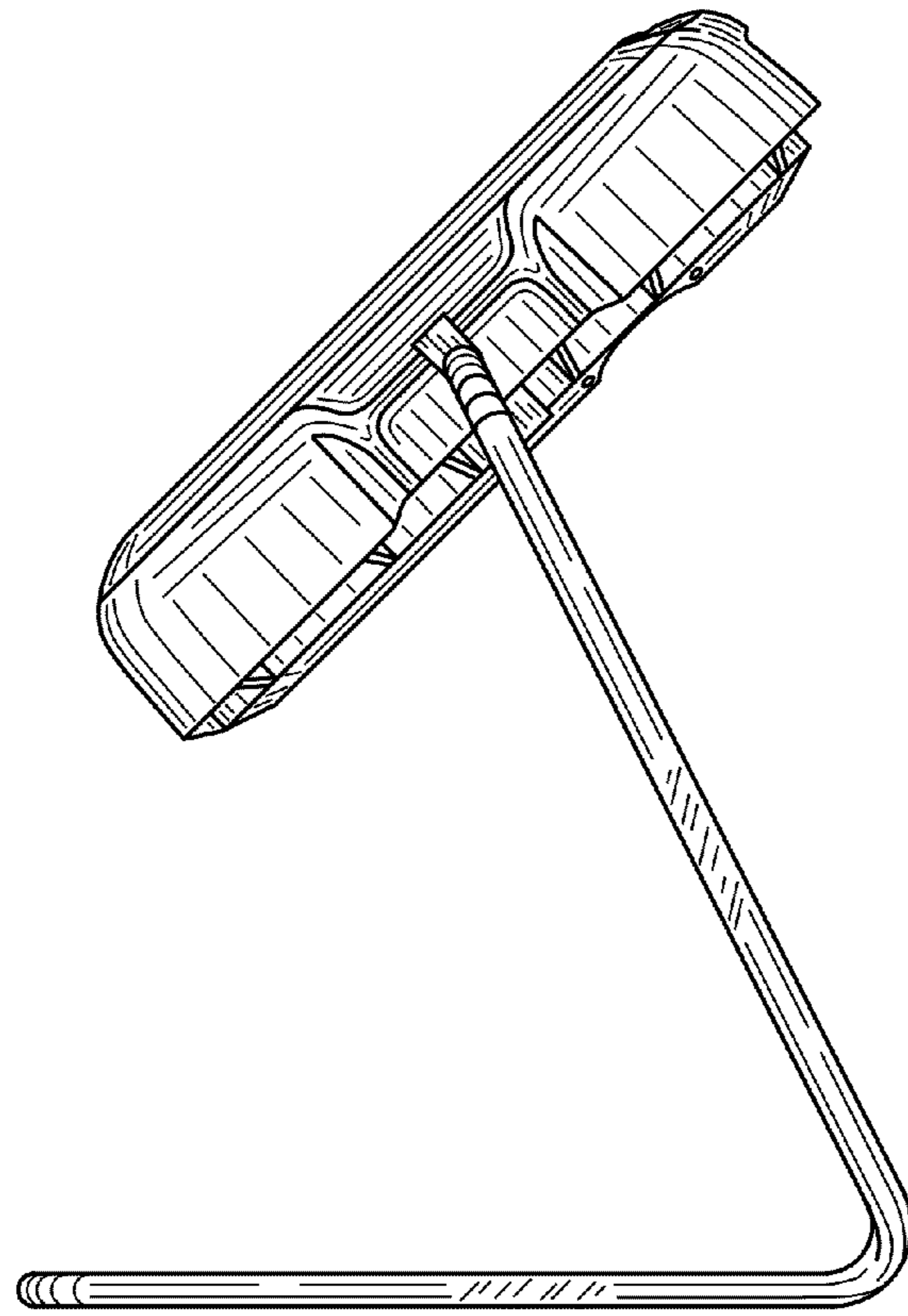


FIG. 5

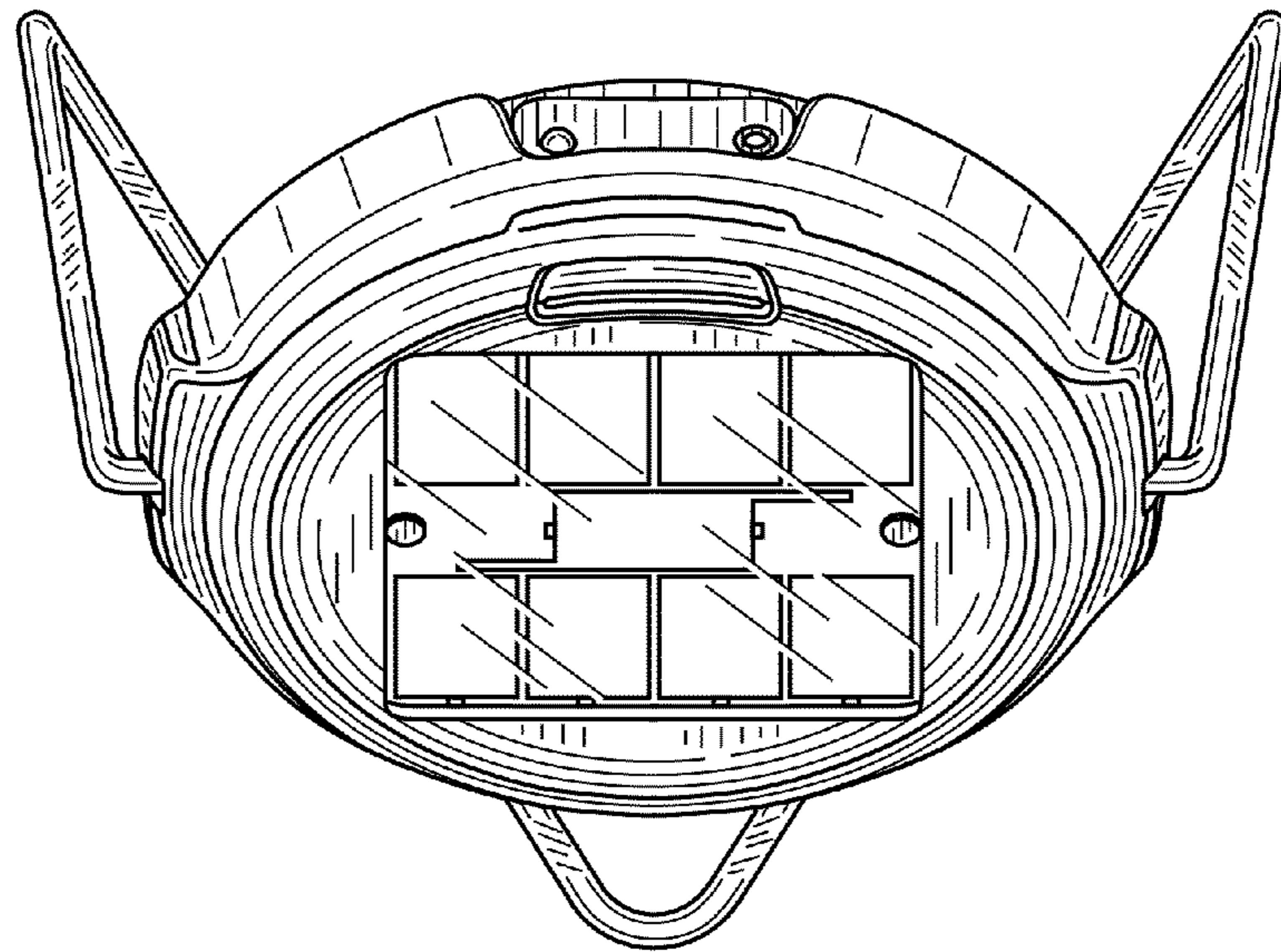


FIG. 6

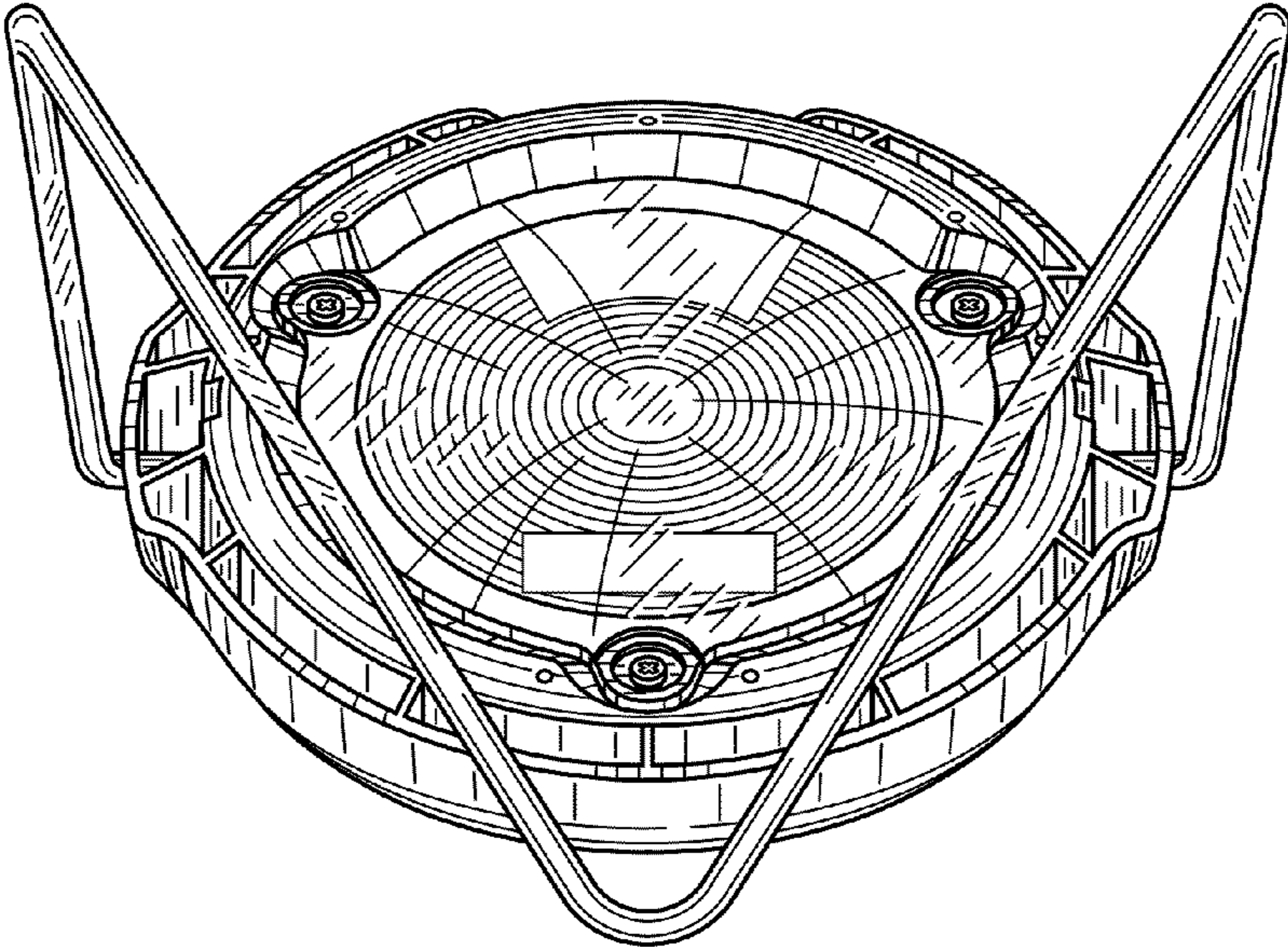


FIG. 7